



US00D622249S

(12) **United States Design Patent**  
**Kwon et al.**

(10) **Patent No.:** **US D622,249 S**

(45) **Date of Patent:** **\*\* Aug. 24, 2010**

(54) **MOBILE PHONE**

D578,500 S \* 10/2008 Lee et al. .... D14/138 G  
D579,902 S \* 11/2008 Kim et al. .... D14/138 AD

(75) Inventors: **Kyung-Jun Kwon**, Hanam-Si (KR);  
**Sang-Min Hyun**, Seoul (KR); **Nam-Mi Kim**, Seoul (KR)

(Continued)

(73) Assignee: **Samsung Electronics Co., Ltd.**,  
Suwon-si (KR)

OTHER PUBLICATIONS  
LG KC910, announced Aug. 2008, [online], [retrieved on Aug. 22, 2008 & Sep. 5, 2008]. Retrieved from Internet ,<URL: http://www.gsmarena.com>.\*

(\*\*) Term: **14 Years**

(Continued)

(21) Appl. No.: **29/350,918**

*Primary Examiner*—Jeffrey D Asch  
*Assistant Examiner*—Bridget L Eland  
(74) *Attorney, Agent, or Firm*—NSIP Law

(22) Filed: **Nov. 25, 2009**

(30) **Foreign Application Priority Data**

(57) **CLAIM**

Oct. 9, 2009 (KR) ..... 30-2009-0044407

The ornamental design for a mobile phone, as shown and described.

(51) **LOC (9) Cl.** ..... **14-03**

**DESCRIPTION**

(52) **U.S. Cl.** ..... **D14/138 G; D14/138 AD**

(58) **Field of Classification Search** ..... D14/138 R,  
D14/138 AD, 138 AC, 138 C, 138 G, 191,  
D14/203.1–203.8, 496, 138 AA, 138 AB,  
D14/247–248, 137, 147, 218, 341–347; D10/65,  
D10/78, 104; D13/168; D18/7; 455/566,  
455/575.1, 575.3

FIG. 1 is a perspective view of a mobile phone;  
FIG. 2 is a front view of the mobile phone of FIG. 1;  
FIG. 3 is a rear view of the mobile phone of FIG. 1;  
FIG. 4 is a left-side view of the mobile phone of FIG. 1;  
FIG. 5 is a right-side view of the mobile phone of FIG. 1;  
FIG. 6 is a top plan view of the mobile phone of FIG. 1;  
FIG. 7 is a bottom plan view of the mobile phone of FIG. 1;  
and,  
FIG. 8 is a front open view of the mobile phone of FIG. 1.

See application file for complete search history.

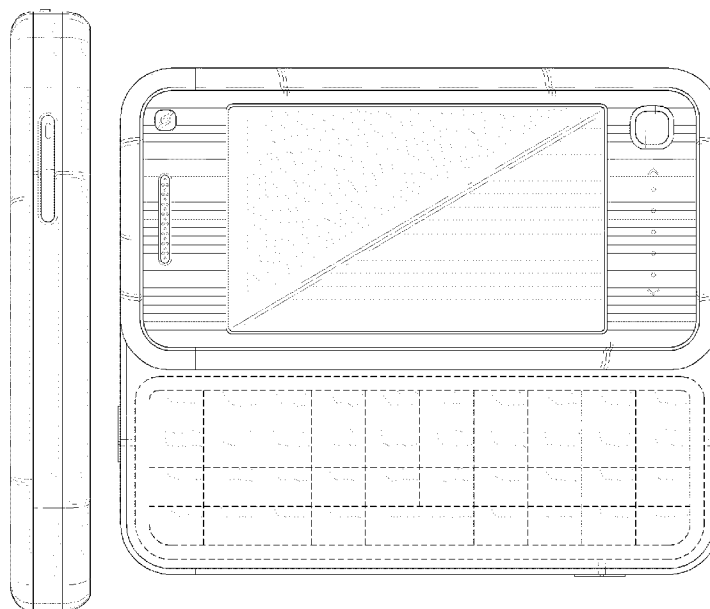
The broken lines immediately adjacent the shaded areas represent the bounds of the claimed design while all other broken lines are directed to environment and are for illustrative purposes only; the broken lines form no part of the claimed design.

(56) **References Cited**

U.S. PATENT DOCUMENTS

D506,937 S \* 7/2005 Lee et al. .... D10/65  
D529,045 S \* 9/2006 Shin ..... D14/203.7  
7,181,256 B2 \* 2/2007 Hyun et al. .... 455/575.3  
D559,220 S \* 1/2008 Lee et al. .... D14/138 AD  
D560,192 S \* 1/2008 Lee et al. .... D14/138 AD  
D569,837 S \* 5/2008 Baik et al. .... D14/138 G  
D573,143 S \* 7/2008 Park et al. .... D14/341  
D577,704 S \* 9/2008 Park et al. .... D14/138 AD

**1 Claim, 6 Drawing Sheets**



U.S. PATENT DOCUMENTS

D581,384 S \* 11/2008 Kim et al. .... D14/138 AD  
D584,272 S \* 1/2009 Chung et al. .... D14/138 G  
D591,252 S \* 4/2009 Kim et al. .... D14/138 G  
D592,628 S \* 5/2009 Kim et al. .... D14/138 AD  
D593,059 S \* 5/2009 Kim et al. .... D14/138 G  
D594,840 S \* 6/2009 Kim et al. .... D14/138 G  
D597,512 S \* 8/2009 Kim et al. .... D14/138 G  
D598,414 S \* 8/2009 Joung et al. .... D14/138 G  
D598,914 S \* 8/2009 Song et al. .... D14/345  
D600,690 S \* 9/2009 Miyaji ..... D14/341  
D601,535 S \* 10/2009 Huang ..... D14/138 AD  
D605,626 S \* 12/2009 Park ..... D14/203.7  
2007/0287512 A1 \* 12/2007 Kilpi et al. .... 455/575.1  
2008/0051161 A1 \* 2/2008 Tashiro ..... 455/575.1  
2009/0111508 A1 \* 4/2009 Yeh et al. .... 455/552.1

2009/0286573 A1 \* 11/2009 Jang et al. .... 455/566

OTHER PUBLICATIONS

LG GD510 Pop, announced Sep. 2009, [online], [retrieved on Oct. 1, 2009]. Retrieved from Internet ,<URL: <http://www.gsmarena.com>>.\*  
LG GD880 Mini, announced Feb. 2010, [online], [retrieved on Feb. 17, 2010]. Retrieved from Internet ,<URL: <http://www.gsmarena.com>>.\*  
Motorola Milestone, announced Nov. 2009, [online], [retrieved on Nov. 24, 2009]. Retrieved from Internet ,<URL: <http://www.gsmarena.com>>.\*  
Philips Xenium K700, announced Nov. 2009, [online], [retrieved on Dec. 7, 2009]. Retrieved from Internet ,<URL: <http://www.gsmarena.com>>.\*

\* cited by examiner

FIG. 1

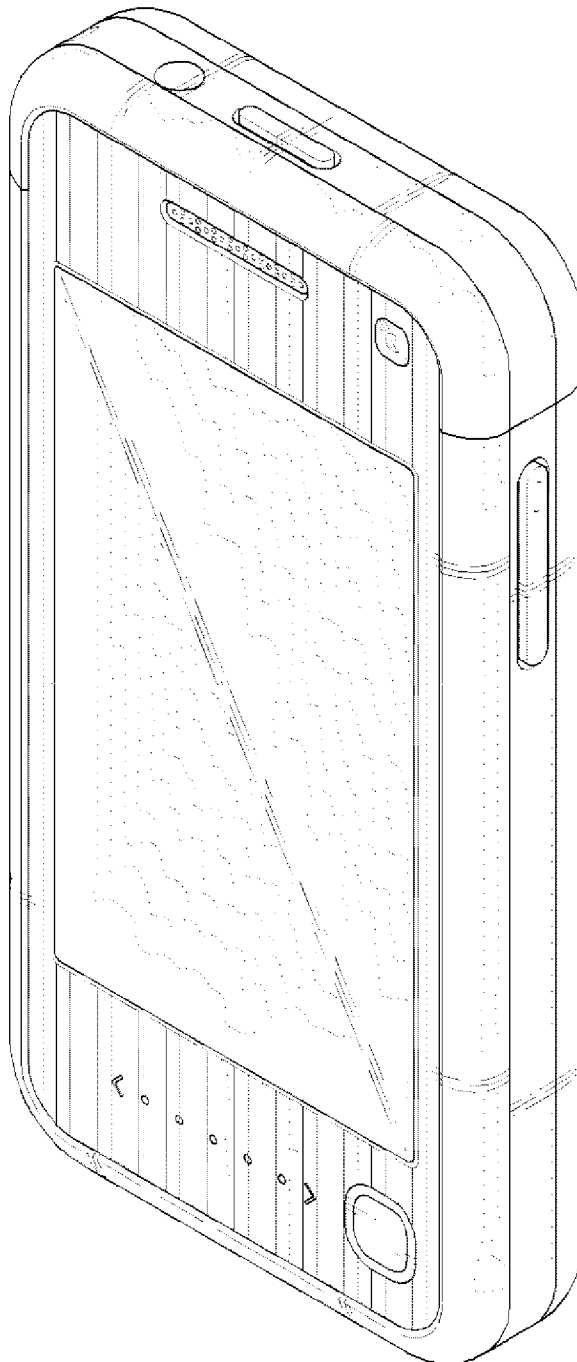


FIG. 2

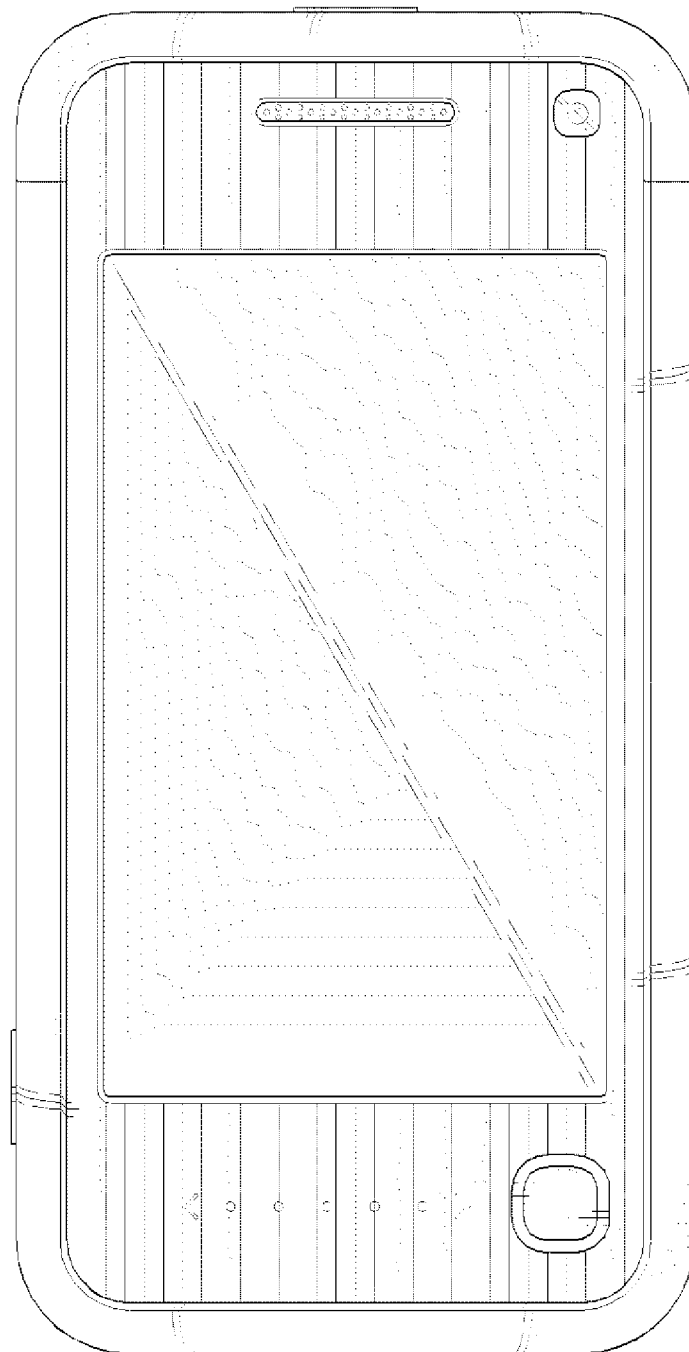
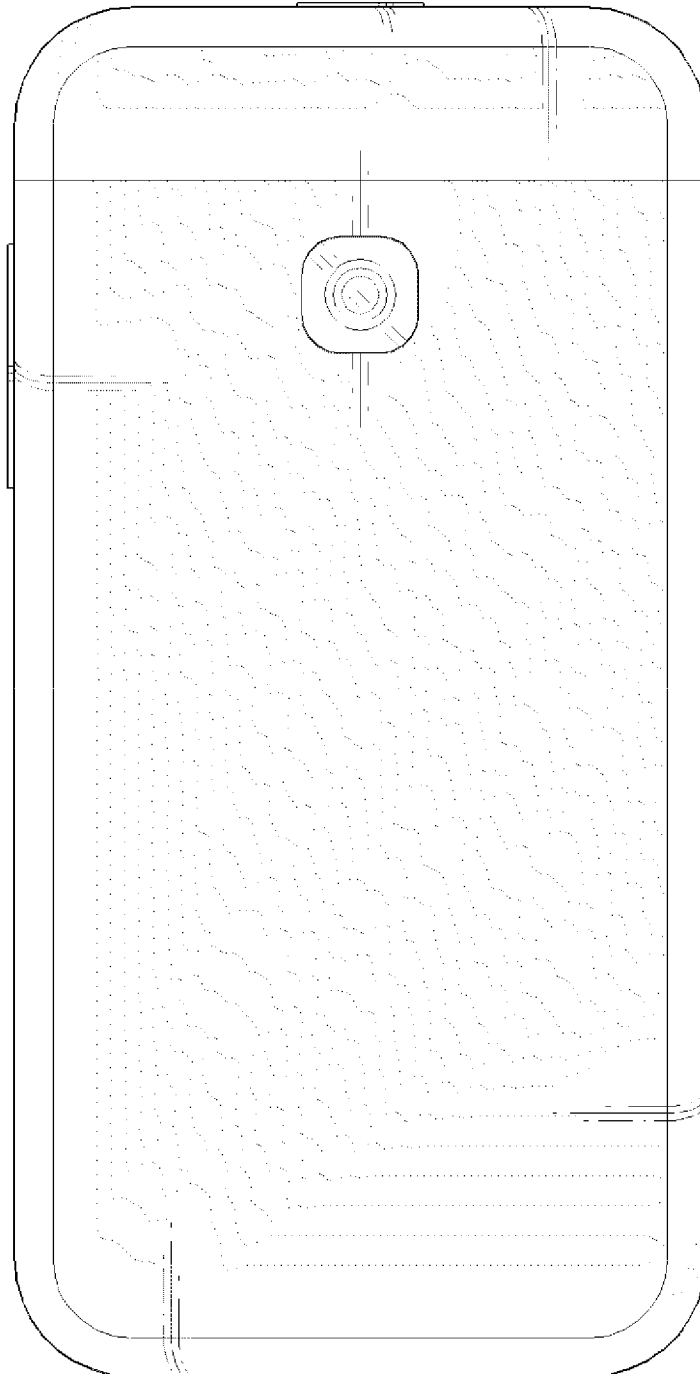
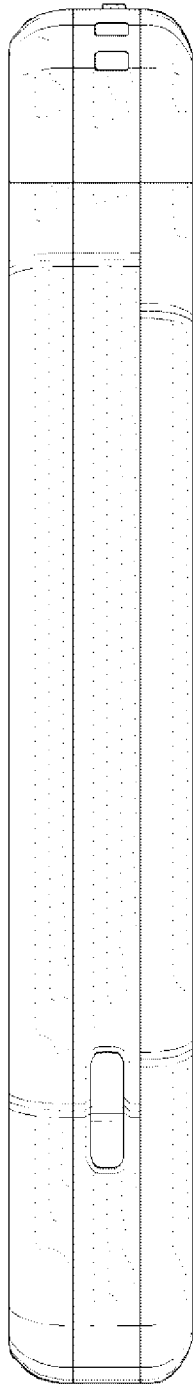


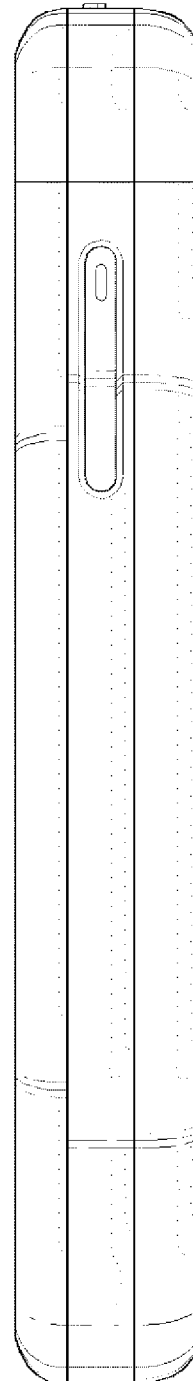
FIG. 3



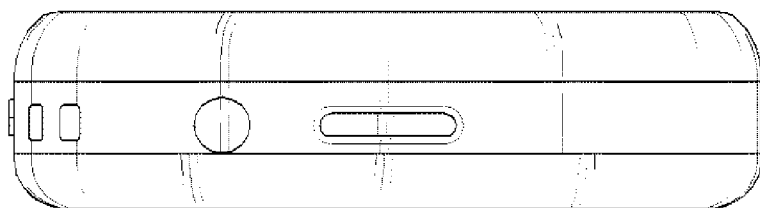
**FIG. 4**



**FIG. 5**



**FIG. 6**



**FIG. 7**

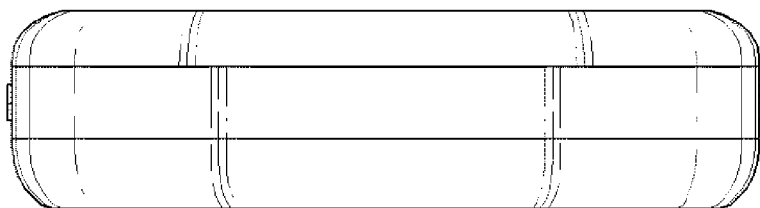
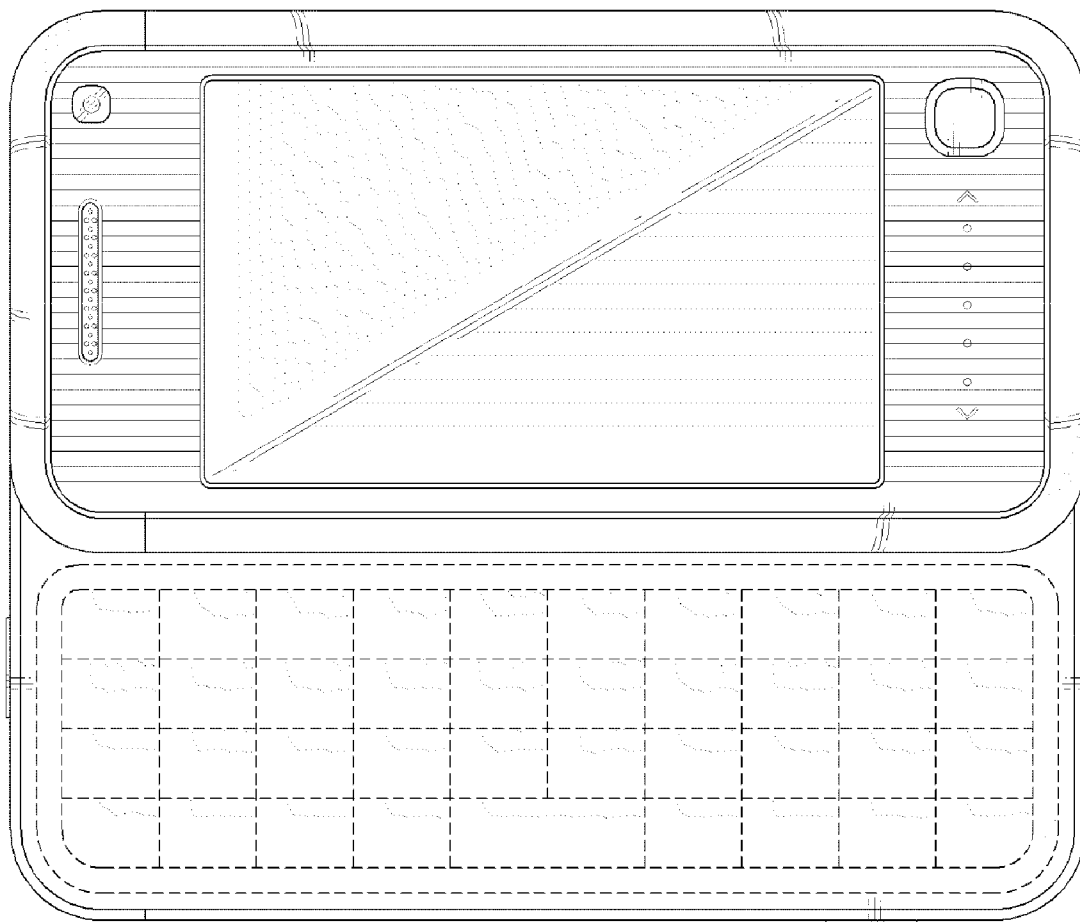


FIG. 8





UNITED STATES PATENT AND TRADEMARK OFFICE  
**CERTIFICATE OF CORRECTION**

PATENT NO. : Des. 622,249 S  
APPLICATION NO. : 29/350918  
DATED : August 24, 2010  
INVENTOR(S) : Kwon et al.

Page 1 of 9

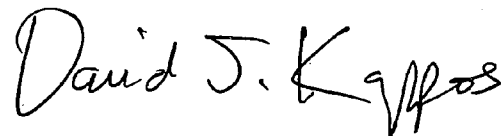
It is certified that error appears in the above-identified patent and that said Letters Patent is hereby corrected as shown below:

The Title Page, showing an illustrative figure, should be deleted and substitute therefor the attached title page.

Please replace all the drawings with new Figures 1-8.

Signed and Sealed this

Twenty-third Day of November, 2010

A handwritten signature in black ink that reads "David J. Kappos". The signature is written in a cursive, slightly slanted style.

David J. Kappos  
*Director of the United States Patent and Trademark Office*

(12) **United States Design Patent**  
**Kwon et al.**

(10) **Patent No.:** **US D622,249 S**  
(45) **Date of Patent:** **\*\* Aug. 24, 2010**

(54) **MOBILE PHONE**

D578,500 S \* 10/2008 Lee et al. .... D14/138 G  
D579,902 S \* 11/2008 Kim et al. .... D14/138 AD

(75) Inventors: **Kyung-Jun Kwon**, Hanam-Si (KR);  
**Sang-Min Hyun**, Seoul (KR); **Nam-Mi Kim**, Seoul (KR)

(Continued)

(73) Assignee: **Samsung Electronics Co., Ltd.**,  
Suwon-si (KR)

**OTHER PUBLICATIONS**

LG KC910, announced Aug. 2008, [online]. [retrieved on Aug. 22, 2008 & Sep. 5, 2008]. Retrieved from Internet, <URL: http://www.gsmarena.com>.\*

(\*\*) Term: **14 Years**

(Continued)

(21) Appl. No.: **29/350,918**

*Primary Examiner*—Jeffrey D Asch  
*Assistant Examiner*—Bridget L Eland  
(74) *Attorney, Agent, or Firm*—NSIP Law

(22) Filed: **Nov. 25, 2009**

(30) **Foreign Application Priority Data**

(57) **CLAIM**

Oct. 9, 2009 (KR) ..... 30-2009-0044407

The ornamental design for a mobile phone, as shown and described.

(51) **LOC (9) Cl.** ..... **14-03**

**DESCRIPTION**

(52) **U.S. Cl.** ..... **D14/138 G; D14/138 AD**

(58) **Field of Classification Search** ..... D14/138 R,  
D14/138 AD, 138 AC, 138 C, 138 G, 191,  
D14/203.1-203.8, 496, 138 AA, 138 AB,  
D14/247-248, 137, 147, 218, 341-347; D10/65,  
D10/78, 104; D13/168; D18/7; 455/566,  
455/575.1, 575.3

FIG. 1 is a perspective view of a mobile phone;  
FIG. 2 is a front view of the mobile phone of FIG. 1;  
FIG. 3 is a rear view of the mobile phone of FIG. 1;  
FIG. 4 is a left-side view of the mobile phone of FIG. 1;  
FIG. 5 is a right-side view of the mobile phone of FIG. 1;  
FIG. 6 is a top plan view of the mobile phone of FIG. 1;  
FIG. 7 is a bottom plan view of the mobile phone of FIG. 1;  
and,  
FIG. 8 is a front open view of the mobile phone of FIG. 1.

See application file for complete search history.

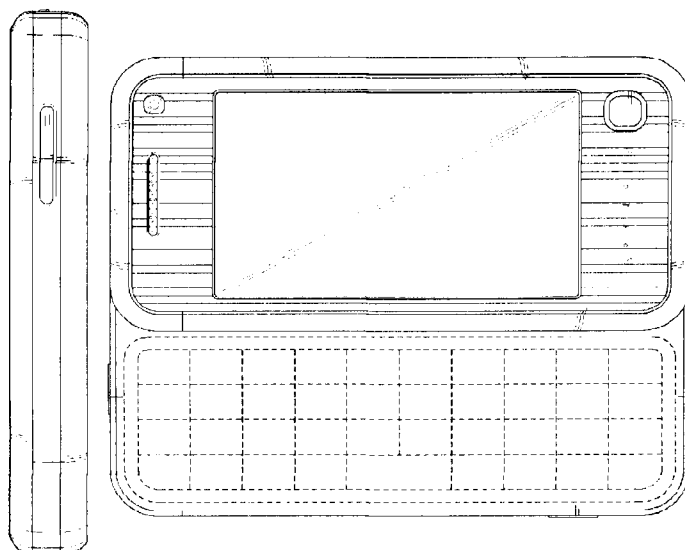
The broken lines immediately adjacent the shaded areas represent the bounds of the claimed design while all other broken lines are directed to environment and are for illustrative purposes only; the broken lines form no part of the claimed design.

(56) **References Cited**

**U.S. PATENT DOCUMENTS**

D506,937 S \* 7/2005 Lee et al. .... D10/65  
D529,045 S \* 9/2006 Shin ..... D14/203.7  
7,181,256 B2 \* 2/2007 Hyun et al. .... 455/575.3  
D559,220 S \* 1/2008 Lee et al. .... D14/138 AD  
D560,192 S \* 1/2008 Lee et al. .... D14/138 AD  
D569,837 S \* 5/2008 Baik et al. .... D14/138 G  
D573,143 S \* 7/2008 Park et al. .... D14/341  
D577,704 S \* 9/2008 Park et al. .... D14/138 AD

**1 Claim, 6 Drawing Sheets**



US D622,249 S

Page 2

U.S. PATENT DOCUMENTS

D581,384 S \* 11/2008 Kim et al. .... D14/138 AD  
 D584,272 S \* 1/2009 Chung et al. .... D14/138 G  
 D591,252 S \* 4/2009 Kim et al. .... D14/138 G  
 D592,628 S \* 5/2009 Kim et al. .... D14/138 AD  
 D593,059 S \* 5/2009 Kim et al. .... D14/138 G  
 D594,840 S \* 6/2009 Kim et al. .... D14/138 G  
 D597,512 S \* 8/2009 Kim et al. .... D14/138 G  
 D598,414 S \* 8/2009 Joung et al. .... D14/138 G  
 D598,914 S \* 8/2009 Song et al. .... D14/345  
 D600,690 S \* 9/2009 Miyaji ..... D14/341  
 D601,535 S \* 10/2009 Huang ..... D14/138 AD  
 D605,626 S \* 12/2009 Park ..... D14/203.7  
 2007/0287512 A1 \* 12/2007 Kilpi et al. .... 455/575.1  
 2008/0051161 A1 \* 2/2008 Tashiro ..... 455/575.1  
 2009/0111508 A1 \* 4/2009 Yeh et al. .... 455/552.1

2009/0286573 A1 \* 11/2009 Jang et al. .... 455/566

OTHER PUBLICATIONS

LG GD510 Pop. announced Sep. 2009, [online], [retrieved on Oct. 1, 2009]. Retrieved from Internet ,<URL: <http://www.gsmarena.com>>.\*  
 LG GD880 Mini, announced Feb. 2010, [online], [retrieved on Feb. 17, 2010]. Retrieved from Internet ,<URL: <http://www.gsmarena.com>>.\*  
 Motorola Milestone, announced Nov. 2009, [online], [retrieved on Nov. 24, 2009]. Retrieved from Internet ,<URL: <http://www.gsmarena.com>>.\*  
 Philips Xenium K700, announced Nov. 2009, [online], [retrieved on Dec. 7, 2009]. Retrieved from Internet ,<URL: <http://www.gsmarena.com>>.\*

\* cited by examiner

FIG. 1

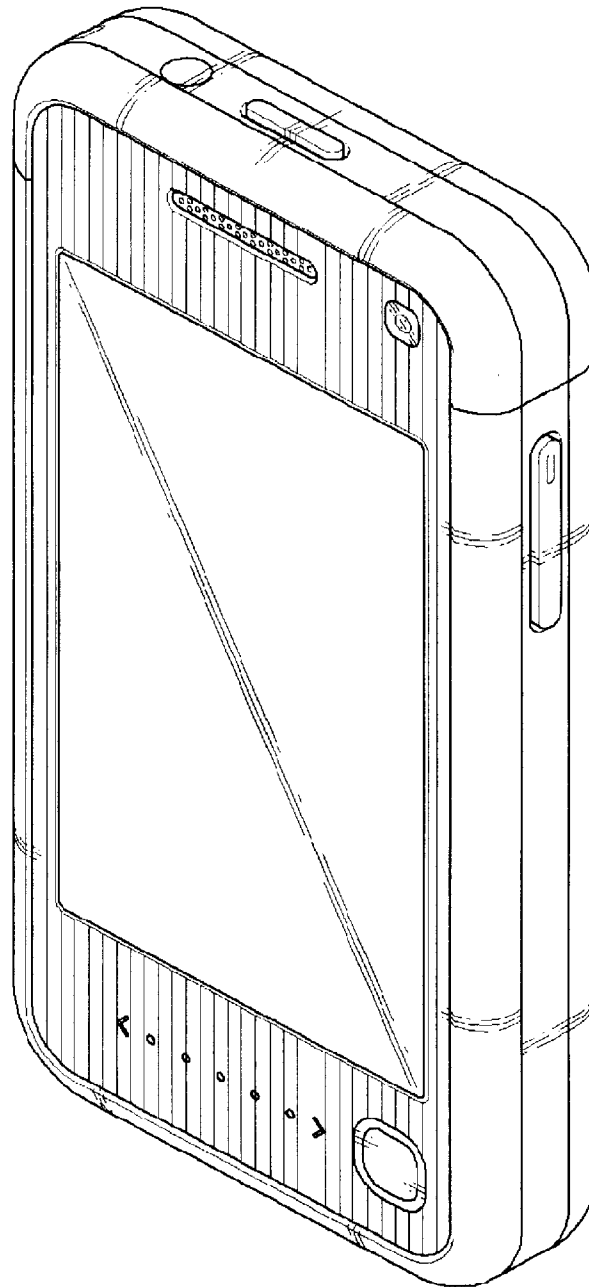
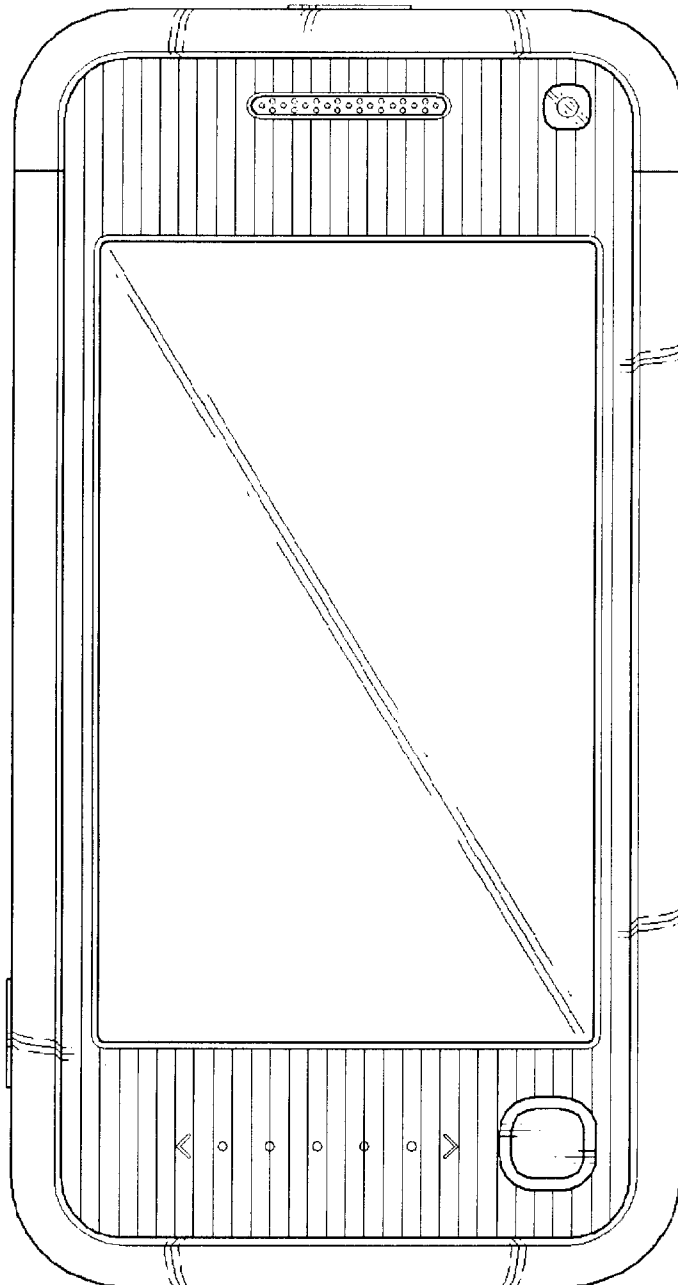
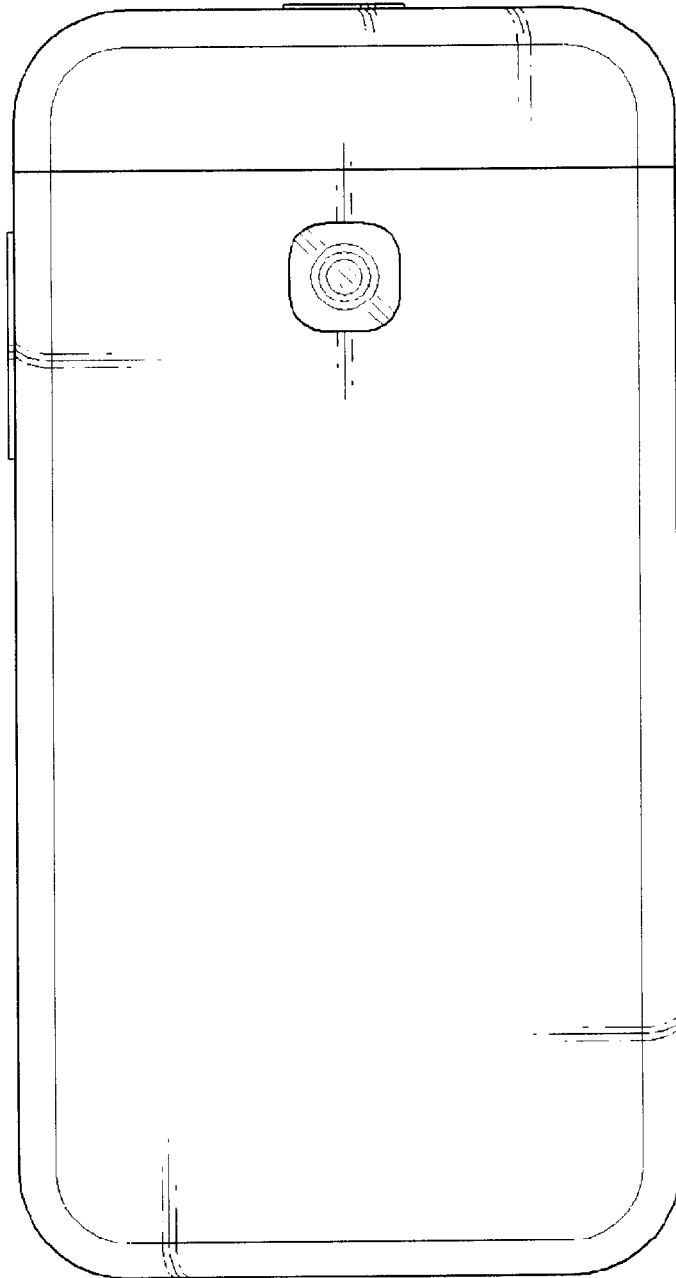


FIG. 2



**FIG. 3**



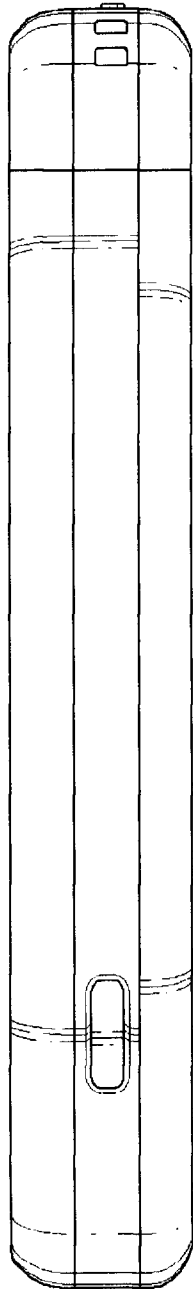
U.S. Patent

Aug. 24, 2010

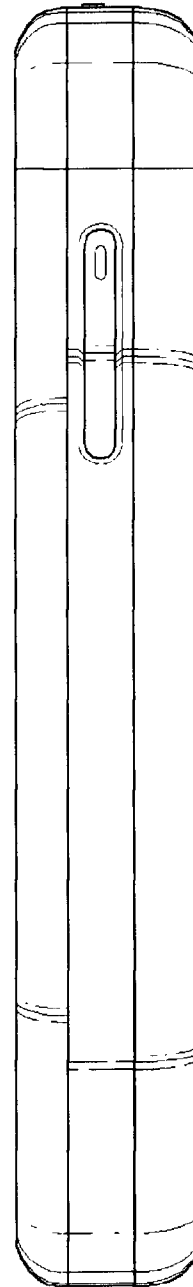
Sheet 4 of 6

D622,249 S

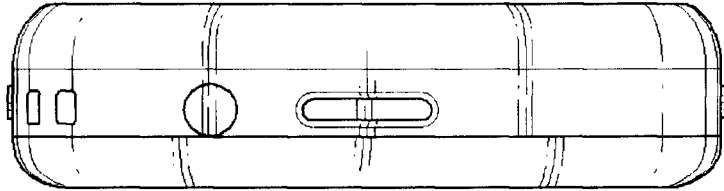
**FIG. 4**



**FIG. 5**



**FIG. 6**



**FIG. 7**

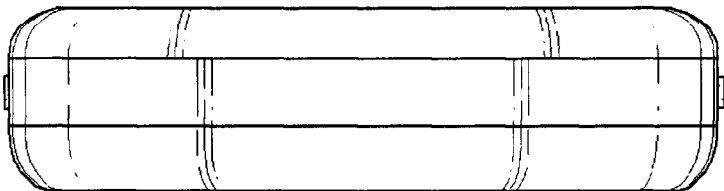




FIG. 8

