



US00D336070S

United States Patent [19]
Clark

[11] **Patent Number: Des. 336,070**
[45] **Date of Patent: ** Jun. 1, 1993**

- [54] **ELECTRICAL PLUG ASSEMBLY**
- [75] **Inventor: William E. Clark, Syracuse, N.Y.**
- [73] **Assignee: Cooper Industries, Inc., Houston, Tex.**
- [**] **Term: 14 Years**
- [21] **Appl. No.: 725,730**
- [22] **Filed: Jul. 3, 1991**
- [52] **U.S. Cl. D13/133; D13/146**
- [58] **Field of Search D13/133, 146, 147, 151; 439/106, 306, 307, 320, 339, 657, 659, 690, 727, 934**

D. 289,753 5/1987 Law D13/133
D. 301,459 6/1989 Chambers D13/151

Primary Examiner—Wallace R. Burke
Assistant Examiner—Joel Sincavage
Attorney, Agent, or Firm—Eddie E. Scott; William B. Patterson; Alan R. Thiele

[57] **CLAIM**

The ornamental design for an electrical plug assembly, as shown and described.

DESCRIPTION

FIG. 1 is a top, front perspective view of an electrical plug assembly showing my new design; FIG. 2 is a front elevational view thereof; FIG. 3 is a left side elevational view thereof, the right side being a mirror image; FIG. 4 is a top plan view thereof; and, FIG. 5 is a bottom plan view thereof.

- [56] **References Cited**
U.S. PATENT DOCUMENTS
D. 148,897 3/1948 Ward et al. D13/133

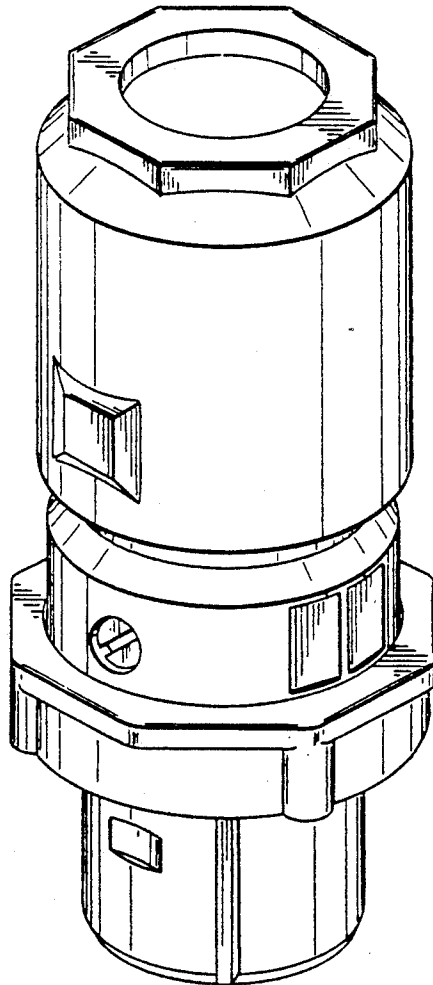


FIG. 1

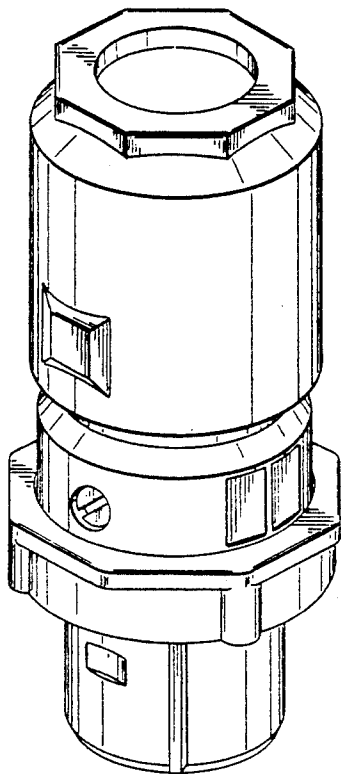


FIG. 4

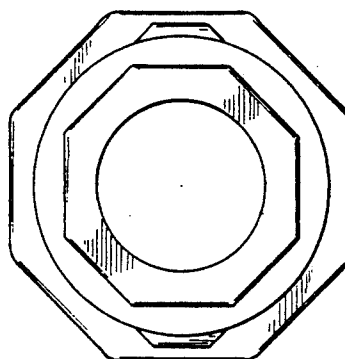


FIG. 3

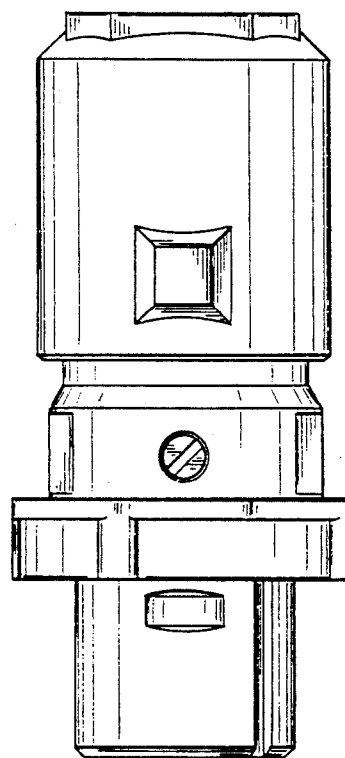


FIG. 2

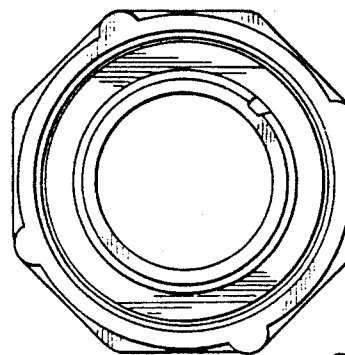
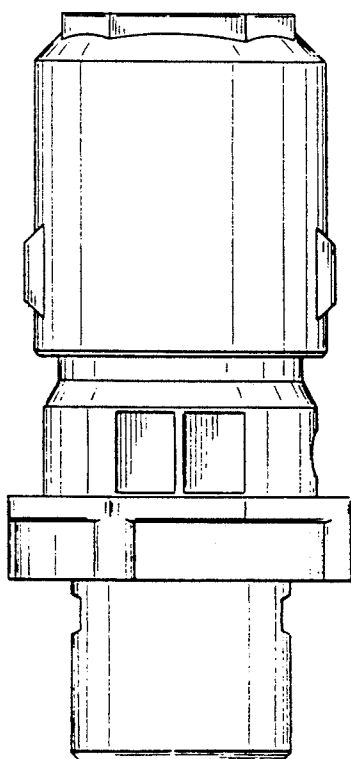


FIG. 5