



US00D696931S

(12) **United States Design Patent**  
**Rodenhouse et al.**

(10) **Patent No.:** **US D696,931 S**

(45) **Date of Patent:** **\*\* Jan. 7, 2014**

(54) **WASHER**

(71) Applicant: **Rodenhouse, Inc.**, Grand Rapids, MI (US)

(72) Inventors: **Robert H. Rodenhouse**, Grand Rapids, MI (US); **Jason R. Wigboldy**, Grand Rapids, MI (US)

(73) Assignee: **Rodenhouse, Inc.**, Grand Rapids, MI (US)

(\*\*) Term: **14 Years**

(21) Appl. No.: **29/449,617**

(22) Filed: **Mar. 15, 2013**

(51) **LOC (10) CI.** ..... **08-08**

(52) **U.S. CI.**

USPC ..... **D8/399**

(58) **Field of Classification Search**

USPC ..... D8/397, 394, 382, 349, 399; 411/427, 411/429, 432, 918, 179, 180

See application file for complete search history.

(56) **References Cited**

**U.S. PATENT DOCUMENTS**

D32,793 S	6/1900	Fauber	
3,069,919 A *	12/1962	Schultz, Jr. ....	474/169
4,102,239 A	7/1978	Dallas	
4,292,876 A *	10/1981	De Graan ....	411/542
4,793,757 A	12/1988	Peterson	
5,079,055 A	1/1992	Doyle	
5,419,666 A	5/1995	Best	
5,423,858 A	6/1995	Bolanos et al.	
5,517,883 A	5/1996	Goldi et al.	
5,541,377 A	7/1996	Stuhlmacher	
5,833,422 A	11/1998	Haga et al.	
D410,869 S *	6/1999	Singer ....	D12/114
6,039,525 A	3/2000	Johnson	
6,231,063 B1 *	5/2001	Chi ....	280/279
D482,270 S	11/2003	Derilo	

D549,091 S	8/2007	McIntyre et al.	
D576,480 S *	9/2008	Vakiener et al. ....	D8/397
D596,934 S	7/2009	Vakiener et al.	
D634,248 S *	3/2011	Chen ....	D12/177

(Continued)

**OTHER PUBLICATIONS**

Brochure disclosing 2" diameter Plasti-Grip® PBLP2 washer distributed by Rodenhouse Inc. more than one year prior to Sep. 6, 2012. Brochure disclosing 1-3/4" diameter Plasti-Grip® CBW washer distributed by Rodenhouse Inc. more than one year prior to Sep. 6, 2012. Brochure disclosing 1-1/4" diameter Grip-Plate® Tab washer distributed by Rodenhouse Inc. more than one year prior to Sep. 6, 2012.

(Continued)

*Primary Examiner* — Cynthia Underwood

(74) *Attorney, Agent, or Firm* — Gardner, Linn, Burkhardt & Flory, LLP

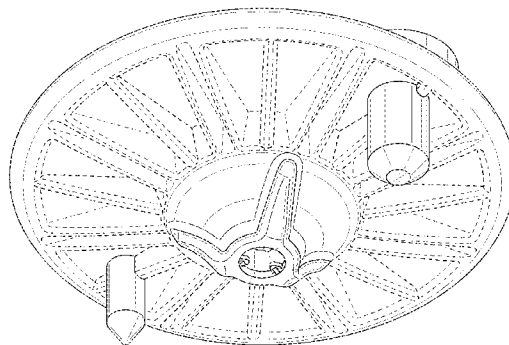
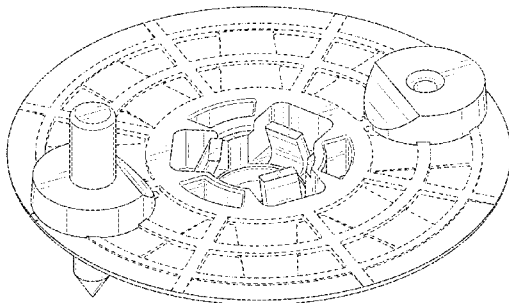
(57) **CLAIM**

The ornamental design for the washer, as shown and described.

**DESCRIPTION**

FIG. 1 is a top side perspective view of the washer showing my design in an environment of use; FIG. 2 is a top side perspective view of the washer of FIG. 1; FIG. 3 is an opposite top side perspective view of the washer of FIG. 1; FIG. 4 is a bottom side perspective view of the washer of FIG. 1; FIG. 5 is a top plan view of the washer of FIG. 1; FIG. 6 is a side elevation view of the washer of FIG. 1; FIG. 7 is a side elevation view of the washer of FIG. 1 rotated 90 degrees relative to the view shown in FIG. 6; and, FIG. 8 is a bottom plan view of the washer of FIG. 1. The broken lines are for illustrative purposes only and form no part of the claimed design.

**1 Claim, 8 Drawing Sheets**



(56)

**References Cited**

U.S. PATENT DOCUMENTS

7,896,380	B2 *	3/2011	Tange .....	280/279
D644,921	S *	9/2011	Hsu et al. ....	D8/399
D645,337	S *	9/2011	Hsu et al. ....	D8/399
D660,691	S	5/2012	Yamazaki	
D663,243	S *	7/2012	Li .....	D12/118
D679,169	S *	4/2013	Else .....	D8/349
D679,170	S *	4/2013	Else .....	D8/349
D679,572	S *	4/2013	Attaway .....	D8/349
2004/0060723	A1 *	4/2004	Pallapothu .....	174/65 G
2004/0084099	A1 *	5/2004	Miura .....	138/89
2006/0171794	A1	8/2006	Ordonio, Jr. et al.	
2008/0310932	A1	12/2008	McIntyre et al.	

OTHER PUBLICATIONS

Brochure disclosing 1-1/4" diameter Grip-Plate® Plastic washer distributed by Rodenhouse Inc. more than one year prior to Sep. 6, 2012.

Brochure disclosing 2" diameter Plasti-Grip® CBW2 washer distributed by Rodenhouse Inc. more than one year prior to Sep. 6, 2012.

Brochure disclosing 1-3/4" diameter Plasti-Grip® III washer distributed by Rodenhouse Inc. more than one year prior to Sep. 6, 2012.

Brochure disclosing Plasti-Grip® PMF Plastic Masonry Fastener distributed by Rodenhouse Inc. more than one year prior to Sep. 6, 2012.

Brochure disclosing 3" diameter Grip-Lok® "Hurricane" washer distributed by Rodenhouse Inc. more than one year prior to Sep. 6, 2012.

\* cited by examiner

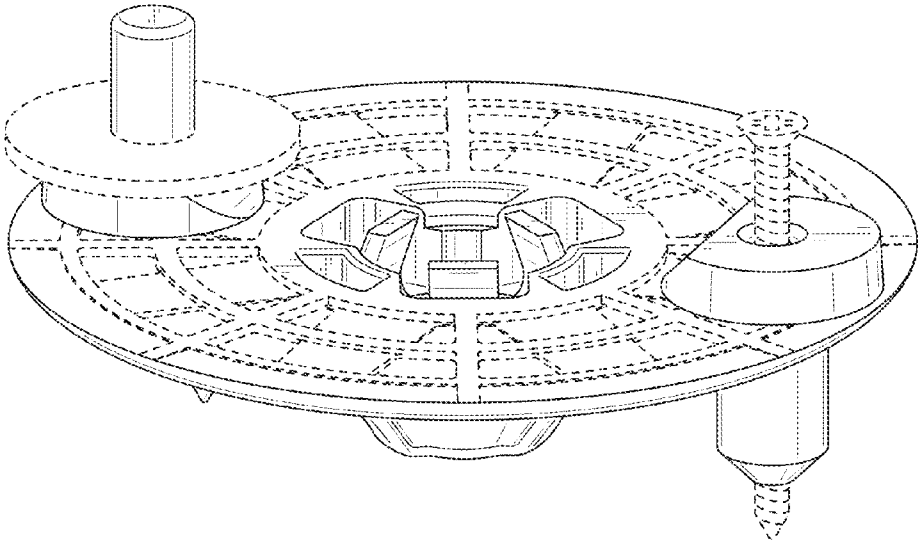


FIG. 1

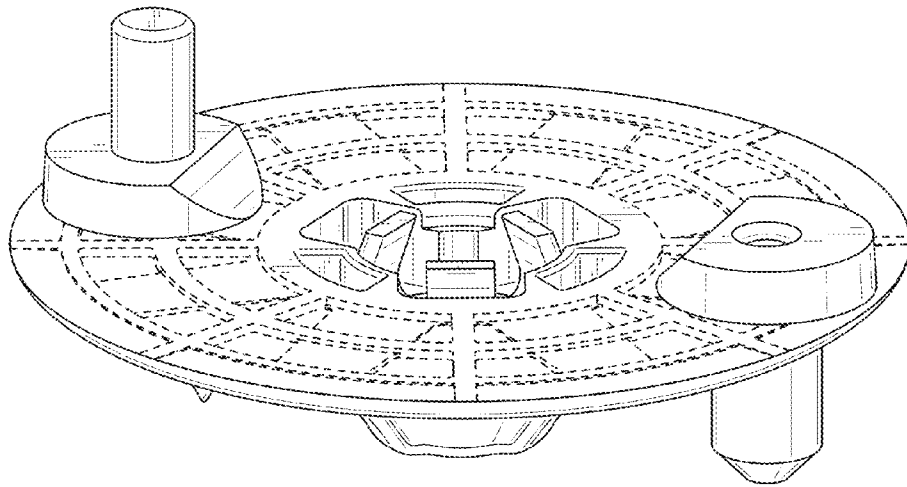


FIG. 2

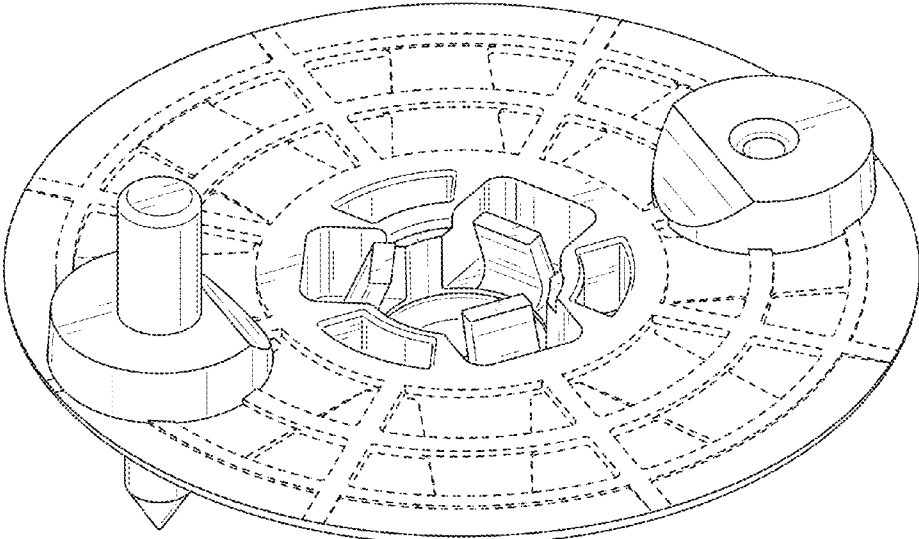


FIG. 3

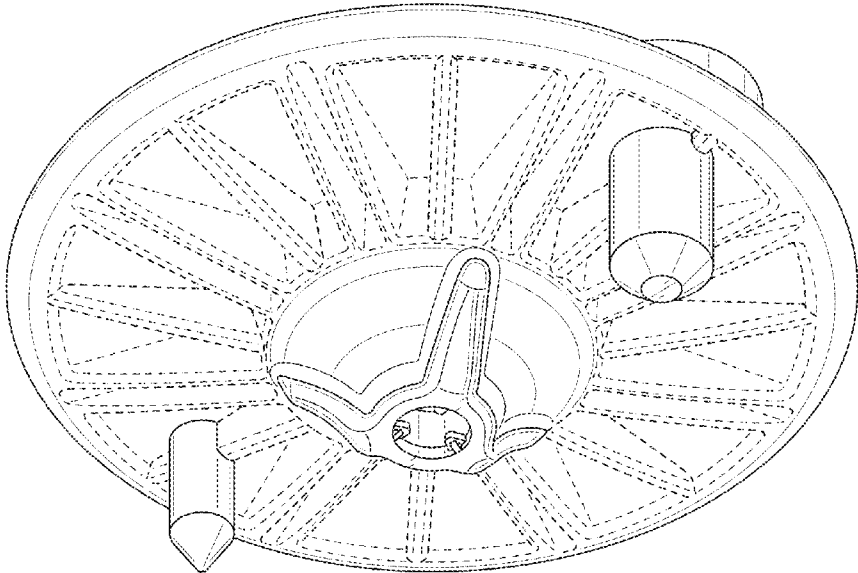


FIG. 4

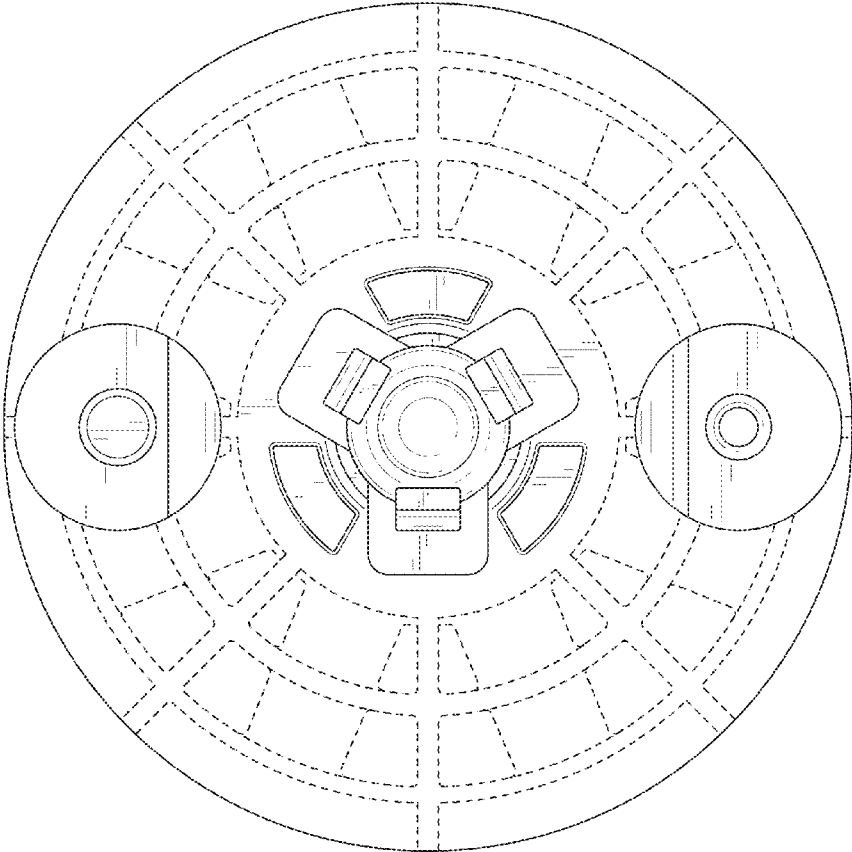


FIG. 5

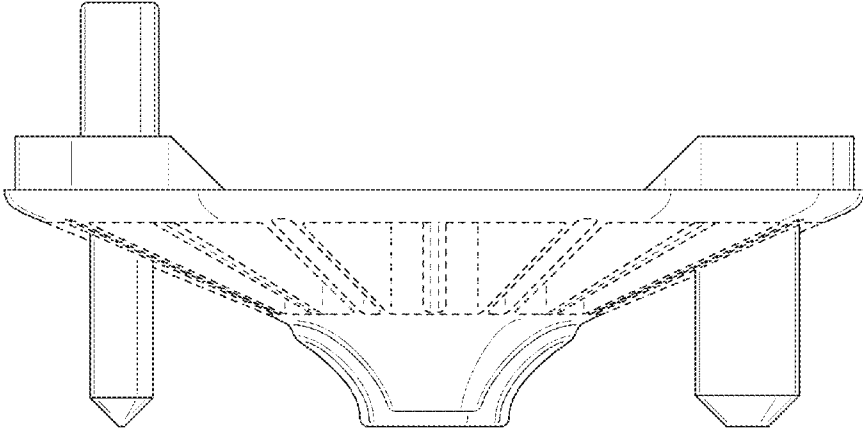


FIG. 6



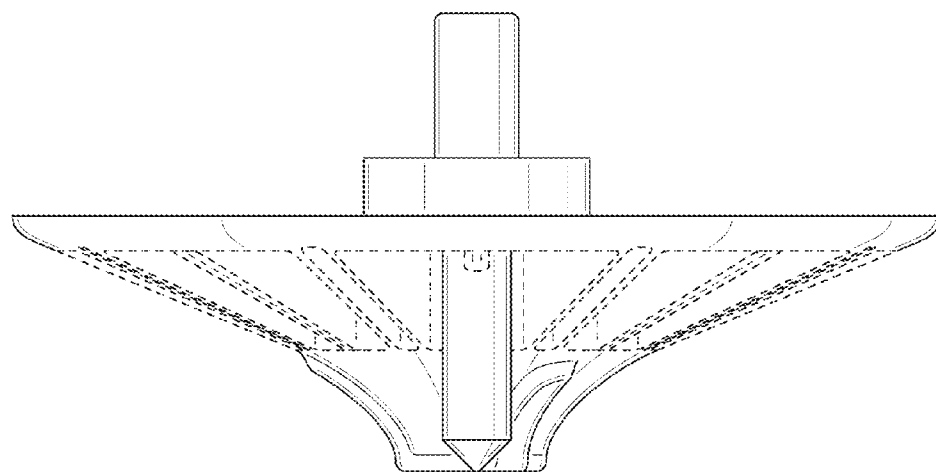


FIG. 7

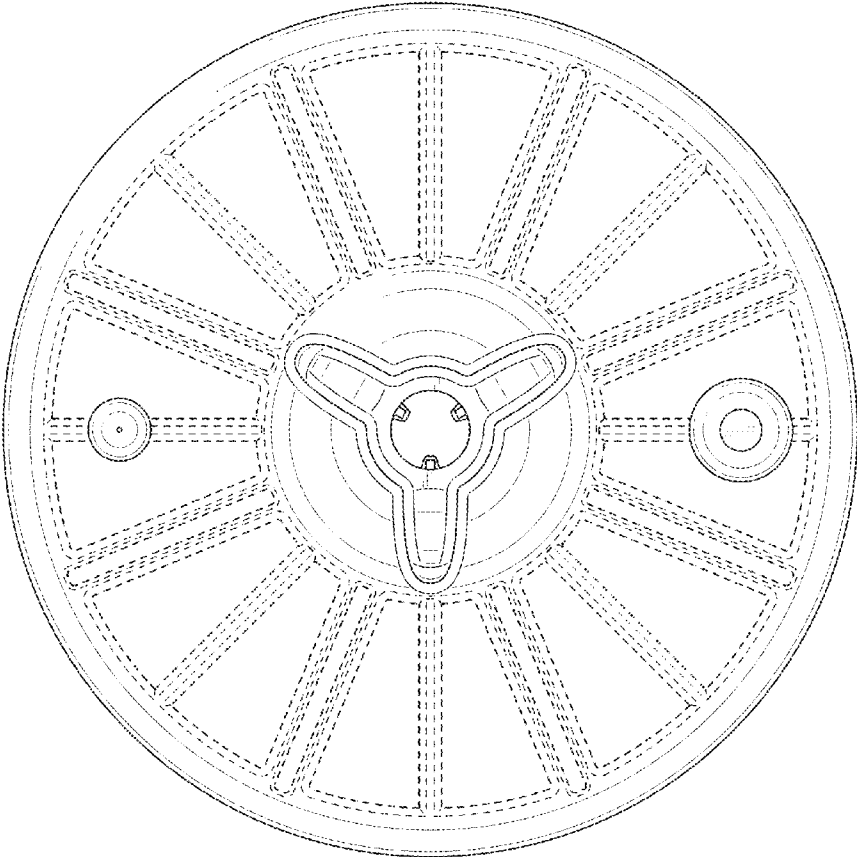


FIG. 8