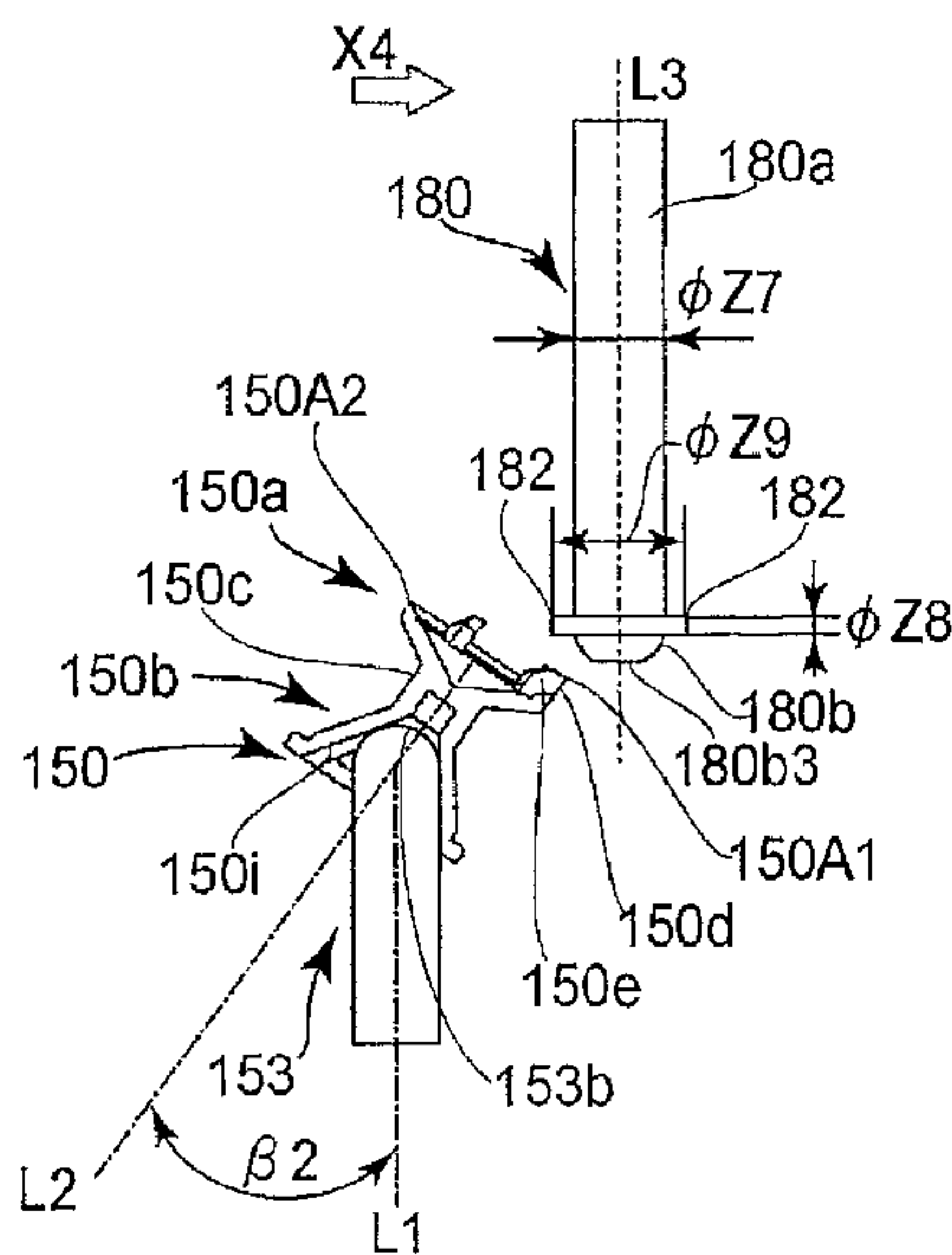




(22) Date de dépôt/Filing Date: 2008/03/24
 (41) Mise à la disp. pub./Open to Public Insp.: 2008/10/02
 (62) Demande originale/Original Application: 2 671 325
 (30) Priorités/Priorities: 2007/03/23 (JP2007-076771);
 2008/03/21 (JP2008-073685)

(51) Cl.Int./Int.Cl. *G03G 15/06* (2006.01),
G03G 21/18 (2006.01)
 (71) Demandeur/Applicant:
 CANON KABUSHIKI KAISHA, JP
 (72) Inventeurs/Inventors:
 MORIOKA, MASANARI, JP;
 MIYABE, SHIGEO, JP;
 UENO, TAKAHITO, JP
 (74) Agent: RIDOUT & MAYBEE LLP

(54) Titre : APPAREIL DE FORMATION D'IMAGE ELECTROPHOTOGRAPHIQUE, APPAREIL DE DEVELOPPEMENT
 ET ELEMENT D'ACCOUPEMENT
 (54) Title: ELECTROPHOTOGRAPHIC IMAGE FORMING APPARATUS, DEVELOPING APPARATUS, AND COUPLING
 MEMBER



(57) **Abrégé/Abstract:**

A developing device usable with an electrophotographic image forming apparatus, and movable in a direction substantially perpendicular to an axial direction of a driving shaft comprising a coupling member for transmitting a rotating force to the developing roller, capable of taking a rotational force transmitting angular position for transmitting the rotational force, a pre-engagement angular position which is taken before the coupling member is engaged with the rotating force applying portion and in which the coupling member is inclined away from the rotational force transmitting angular position, and a disengaging angular position which is taken for the coupling member to disengage from the driving shaft and in which the coupling member is inclined away from the rotational force transmitting angular position in a direction opposite to the pre-engagement angular position; wherein in response to a movement of the developing device, the coupling member moves from the pre-engagement angular position to the rotational force transmitting angular position to be opposed to the driving shaft, and wherein when the movable member makes a further movement in the same direction, the coupling member is disengaged from the driving shaft by moving from the rotational force transmitting angular position to the disengaging angular position.

ABSTRACT

A developing device usable with an electrophotographic image forming apparatus, and
5 movable in a direction substantially perpendicular to an axial direction of a driving shaft comprising a coupling member for transmitting a rotating force to the developing roller, capable of taking a rotational force transmitting angular position for transmitting
10 the rotational force, a pre-engagement angular position which is taken before the coupling member is engaged with the rotating force applying portion and in which the coupling member is inclined away from the rotational force transmitting angular position, and a
15 disengaging angular position which is taken for the coupling member to disengage from the driving shaft and in which the coupling member is inclined away from the rotational force transmitting angular position in a direction opposite to the pre-engagement angular
20 position; wherein in response to a movement of the developing device, the coupling member moves from the pre-engagement angular position to the rotational force transmitting angular position to be opposed to the driving shaft, and wherein when the movable member
25 makes a further movement in the same direction, the coupling member is disengaged from the driving shaft by moving from the rotational force transmitting angular position to the disengaging angular position.

DESCRIPTION

ELECTROPHOTOGRAPHIC IMAGE FORMING APPARATUS,
DEVELOPING APPARATUS, AND COUPLING MEMBER

5

[TECHNICAL FIELD]

The present invention relates to an electrophotographic image forming apparatus, a developing apparatus used in the electrophotographic image forming apparatus, and a coupling member used in the electrophotographic image forming apparatus.

Examples of the electrophotographic image forming apparatus include an electrophotographic copying machine, an electrophotographic printer (a laser beam printer, an LED printer, etc.), and the like.

The developing apparatus (developing device) is mounted to a main assembly of the electrophotographic image forming apparatus and develops an electrostatic latent image formed on an electrophotographic photosensitive member.

The developing device includes a developing device of a fixed type used in a state in which it is mounted and fixed to a main assembly of the electrophotographic image forming apparatus and a developing device of a developing cartridge type in which a user can mount it to the main assembly and can

25

demount it from the main assembly.

With respect to the developing device of the fixed type, maintenance is performed by a service person. On the other hand, with respect to the
5 developing device of the developing cartridge type, maintenance is performed by the user by replacing a developing cartridge with another one.

[BACKGROUND ART]

10 In a conventional electrophotographic image forming apparatus, the following constitution is known when an electrostatic latent image formed on a drum-shaped electrophotographic photosensitive member (hereinafter referred to as a "photosensitive drum")
15 is developed.

In a Japanese Laid-Open Patent Application (JP-A) 2003-202727, a gear (gear 42Y) is provided to a developing device and is engaged with a gear provided to a main assembly of the image forming apparatus.
20 Then, a rotating force of a motor provided to the main assembly is transmitted to a developing roller through the gear provided to the main assembly and the gear provided to the main assembly. In this way, a method of rotating the developing roller is known.

25 Further, a color electrophotographic image forming apparatus in which a developing rotary rotatable in state in which a plurality of developing

devices is mounted to the developing rotary is provided to a main assembly of the apparatus (JP-A Hei 11-015265). In this apparatus, the following cartridge for transmitting a rotating force from the apparatus main assembly to the developing devices is known. Specifically, a main assembly-side coupling (coupling 71) provided to the apparatus main assembly and a developing device-side coupling (coupling gear 65) of developing devices (developing devices 6Y, 6M, 6C) mounted to a developing rotary (multi-color developing device 6) are connected, whereby a rotating force is transmitted from the apparatus main assembly to the developing devices. When the main assembly-side coupling and the developing device-side coupling are connected, the main assembly-side coupling is once retracted into the apparatus (by spring 74) so as not to hinder movement of the developing rotary. Then, the developing rotary is moved, so that a predetermined developing device is moved in a direction in which the main assembly-side coupling is provided. Thereafter, the retracted main assembly-side coupling is moved toward the developing device-side coupling by using a moving mechanism such as a solenoid and the like (solenoid 75, arm 76). In this manner, both of the couplings are connected to each other. Then, a rotating force of a motor provided to the main assembly is transmitted to a developing roller through

the main assembly-side coupling and the developing device-side coupling. As a result, the developing roller is rotated. Such a method is known.

However, in the conventional cartridge described in JP-A 2003-202727, a driving connection portion between the main assembly and the developing device constitutes an engaging portion for a gear (gear 35) and a gear (gear 42Y). For this reason, it is difficult to prevent rotation non-uniformity of the developing roller.

In the conventional cartridge described in JP-A Hei 11-015265, as described above, the main assembly-side coupling (coupling 71) is once retracted into the apparatus so as not to hinder the movement of the developing device. Further, during the transmission of the rotating force, it is necessary to move the retracted main assembly-side coupling toward the developing device-side coupling. Thus, it is necessary to provide a mechanism for moving the main assembly-side coupling toward the developing device-side to the apparatus main assembly. Further, for image formation, a time required for movement of the main assembly-side coupling must be considered.

[DISCLOSURE OF THE INVENTION]

A principal object of the present invention is to provide a developing apparatus (developing

cartridge) capable of solving the above-described problems of the conventional cartridges, an electrophotographic image forming apparatus using the developing apparatus, and a coupling member used in
5 the developing apparatus.

Another object of the present invention is to provide a developing apparatus (developing cartridge) capable of engaging a coupling member provided to the developing apparatus (developing cartridge) with a
10 driving shaft by moving the developing apparatus in a direction substantially perpendicular to an axial direction of the driving shaft even in the case where a main assembly is not provided with a mechanism for moving a main assembly-side coupling member in the
15 axial direction by a solenoid. The object of the present invention is also to provide an electrophotographic image forming apparatus using the developing apparatus and the coupling member used in the developing apparatus.

20 Another object of the present invention is to provide a developing apparatus (developing cartridge) capable of engaging a driving shaft provided to a main assembly of an electrophotographic image forming apparatus from a direction substantially perpendicular
25 to an axial direction of the driving shaft. The object of the present invention is also to provide the electrophotographic image forming apparatus using the

developing apparatus and a coupling member used in the developing apparatus.

Another object of the present invention is to provide a developing apparatus (developing cartridge) capable of smoothly rotating a developing roller compared with the case where driving connection of a main assembly and the developing apparatus is performed through gears. The object of the present invention is also to provide an electrophotographic image forming apparatus using the developing apparatus and a coupling member used in the developing apparatus.

Another object of the present invention is to provide a developing apparatus (developing cartridge) capable of engaging with a driving shaft provided to a main assembly of an electrophotographic image forming apparatus from a direction substantially perpendicular to an axial direction of the driving shaft and capable of smoothly rotating a developing roller. The object of the present invention is also to provide the electrophotographic image forming apparatus using the developing apparatus and a coupling member used in the developing apparatus.

Another object of the present invention is to provide a developing apparatus capable of mounting with and demounting from a driving shaft provided to a main assembly of an electrophotographic image forming apparatus from a direction substantially perpendicular

to an axial direction of the driving shaft by movement of a moving member in one direction. The object of the present invention is also to provide the electrophotographic image forming apparatus using the developing apparatus and a coupling member used in the developing apparatus.

Another object of the present invention is to provide a developing apparatus capable of mounting with and demounting from a driving shaft provided to a main assembly of an electrophotographic image forming apparatus from a direction substantially perpendicular to an axial direction of the driving shaft by movement of a moving member in one direction and capable of smoothly rotating a developing roller. The object of the present invention is also to provide the electrophotographic image forming apparatus using the developing apparatus and a coupling member used in the developing apparatus.

Another object of the present invention is to provide a developing apparatus including a coupling member capable of taking a rotating force transmitting angular position for transmitting a rotating force from a main assembly of an electrophotographic image forming apparatus to a developing roller, a pre-engagement angular position at which the coupling member is inclined from the rotating force transmitting angular position and is in a state before

being engaged with a rotating force applying portion,
and a disengagement angular position at which the
coupling member is inclined from the rotating force
transmitting angular position in a direction opposite
5 from the pre-engagement angular position to be
disengaged from the driving shaft. The object of the
present invention is to provide the
electrophotographic image forming apparatus using the
developing apparatus and the coupling member used in
10 the developing apparatus.

According to the present invention, it is
possible to provide a developing apparatus capable of
engaging a coupling member provided to the developing
15 apparatus (developing cartridge) with a driving shaft
by moving the developing apparatus (developing
cartridge) in a direction substantially perpendicular
to an axial direction of the driving shaft even in the
case where a main assembly is not provided with a
20 mechanism for moving a main assembly-side coupling
member in the axial direction by a solenoid. According
to the present invention, it is also possible to
provide an electrophotographic image forming apparatus
using the developing apparatus and the coupling member
25 used in the developing apparatus.

Further, according to the present invention,
it is possible to provide a developing apparatus

capable of engaging a driving shaft provided to a main assembly of an electrophotographic image forming apparatus from a direction substantially perpendicular to an axial direction of the driving shaft. According to the present invention, it is also possible to provide the electrophotographic image forming apparatus using the developing apparatus and a coupling member used in the developing apparatus.

Further, according to the present invention, it is possible to smoothly rotate a developing roller compared with the case where driving connection of an apparatus main assembly and the developing apparatus is performed through gears.

Further, according to the present invention, it is possible to provide a developing apparatus capable of engaging with a driving shaft provided to a main assembly of an electrophotographic image forming apparatus from a direction substantially perpendicular to an axial direction of the driving shaft and capable of smoothly rotating a developing roller. According to the present invention, it is also possible to provide the electrophotographic image forming apparatus using the developing apparatus and a coupling member used in the developing apparatus.

Further, according to the present invention, it is possible to provide a developing apparatus capable of mounting with and demounting from a driving

shaft provided to the apparatus main assembly from a direction substantially perpendicular to an axial direction of the driving shaft by movement of a moving member in one direction. According to the present invention, it is also possible to provide the electrophotographic image forming apparatus using the developing apparatus and a coupling member used in the developing apparatus.

Further, according to the present invention, it is possible to provide a developing apparatus capable of mounting with and demounting from a driving shaft provided to the apparatus main assembly from a direction substantially perpendicular to an axial direction of the driving shaft by movement of a moving member in one direction and capable of smoothly rotating a developing roller. According to the present invention, it is also possible to provide the electrophotographic image forming apparatus using the developing apparatus and a coupling member used in the developing apparatus.

Further, according to the present invention, it is possible to provide a developing apparatus including a coupling member capable of taking a rotating force transmitting angular position for transmitting a rotating force from the apparatus main assembly to a developing roller, a pre-engagement angular position at which the coupling member is

inclined from the rotating force transmitting angular position and is in a state before being engaged with a rotating force applying portion, and a disengagement angular position at which the coupling member is
5 inclined from the rotating force transmitting angular position in a direction opposite from the pre-engagement angular position to be disengaged from the driving shaft.

Further, according to the present invention,
10 it is possible to engage and disengage a coupling member provided to a developing apparatus with respect to a driving shaft provided to an apparatus main assembly from a direction substantially perpendicular to an axial direction of the driving shaft by movement
15 of a moving member in one direction.

Further, according to the present invention, it is possible to engage and disengage a coupling member provided to a developing apparatus with respect to a driving shaft provided to an apparatus main
20 assembly from a direction substantially perpendicular to an axial direction of the driving shaft by movement of a moving member in one direction and also possible to smoothly rotate a developing roller.

Further, according to the present invention,
25 even when a main assembly is not provided with a mechanism for moving a main assembly-side coupling member for transmitting a rotational force to a

developing roller in an axial direction of the coupling member by a solenoid, it is possible to engage a coupling member provided to a developing apparatus with a driving shaft by movement of a moving
5 member. As a result, according to the present invention, it is possible to realize an improvement in image forming speed.

These and other objects, features and advantages of the present invention will become more
10 apparent upon a consideration of the following description of the preferred embodiments of the present invention taken in conjunction with the accompanying drawings.

15 [BRIEF DESCRIPTION OF THE DRAWINGS]

Figure 1 is a side sectional view of a developing cartridge according to an embodiment of the present invention.

20 Figure 2 is a perspective view of the developing cartridge according to the embodiment of the present invention.

Figure 3 is a perspective view of the developing cartridge according to the embodiment of the present invention.

25 Figure 4 is a side sectional view of a main assembly of an electrophotographic image forming apparatus according to an embodiment of the present

invention.

Figure 5 is a perspective view of a developing roller according to an embodiment of the present invention.

5 Figure 6 is a perspective view and a longitudinal sectional view of a coupling according to an embodiment of the present invention.

Figure 7 is a perspective view of a development supporting member according to an
10 embodiment of the present invention.

Figure 8 is a perspective view of a coupling according to an embodiment of the present invention.

Figure 9 is a sectional view of a side of the developing cartridge according to an embodiment of the
15 present invention.

Figure 10 is an exploded view of a coupling member according to an embodiment of the present invention.

Figure 11 is a longitudinal sectional view of
20 the developing cartridge according to an embodiment of the present invention.

Figure 12 is a longitudinal sectional view of the developing cartridge according to the embodiment of the present invention.

25 Figure 13 is a longitudinal sectional view of the developing cartridge according to the embodiment of the present invention.

Figure 14 is a perspective view of a coupling according to the embodiment of the present invention.

Figure 15 is a perspective view of a rotary member (hereinafter called "rotary") according to the
5 embodiment of the present invention.

Figure 16 is a perspective view of the rotary according to the embodiment of the present invention.

Figure 17 is a perspective view of the rotary according to the embodiment of the present invention.

10 Figure 18 shows a view, as seen from a side, of an apparatus main assembly according to an embodiment of the present invention.

Figure 19 shows a view of the apparatus main assembly according to the embodiment of the present
15 invention, as seen from a side.

Figure 20 shows a view of the apparatus main assembly according to the embodiment of the present invention, as seen from the side.

Figure 21 is the Figure of the apparatus main
20 assembly according to the embodiment of the present invention, as seen from the side.

Figure 22 is a longitudinal sectional view showing the process of engagement between the drive shaft and the coupling according to an embodiment of
25 the present invention.

Figure 23 is an exploded perspective view of the drive shaft and the coupling according to the

embodiment of the present invention.

Figure 24 is an exploded perspective view of the drive shaft and the coupling according to the embodiment of the present invention.

5 Figure 25 is a perspective view showing the process of disengagement of the coupling from drive shaft according to the embodiment of the present invention.

Figure 26 is the timing chart of the
10 operations of an embodiment of the present invention.

Figure 27 is a perspective view of a coupling according to an embodiment of the present invention.

Figure 28 is a perspective view of the coupling according to the embodiment of the present
15 invention.

Figure 29 is a perspective view of a drive shaft according to an embodiment of the present invention.

Figure 30 is a perspective view of a coupling
20 according to the embodiment of the present invention.

Figure 31 is a perspective view of the coupling according to the embodiment of the present invention.

Figure 32 is a perspective view of a side of a
25 developing cartridge according to an embodiment of the present invention.

Figure 33 is a partly sectional view of the

developing cartridge and a development shaft according to the embodiment of the present invention.

Figure 34 is a longitudinal sectional view illustrating the take-out process of the developing
5 cartridge according to the embodiment of the present invention.

Figure 35 is a longitudinal sectional view illustrating the process of engagement between the drive shaft and the coupling according to the
10 embodiment of the present invention.

Figure 36 is a perspective view of a development supporting member according to an embodiment of the present invention.

Figure 37 is a perspective view of a side of a
15 developing cartridge according to an embodiment of the present invention.

Figure 38 is a perspective view illustrating the state of the engagement between the drive shaft and the coupling according to the embodiment of the
20 present invention, and a longitudinal sectional view.

Figure 39 is a perspective view of a development supporting member according to the embodiment of the present invention.

Figure 40 is a perspective view of a coupling
25 according to an embodiment of the present invention.

Figure 41 is a perspective view of a side of a developing cartridge according to an embodiment of the

present invention.

Figure 42 is a perspective view and a longitudinal sectional view illustrating a state of the engagement between the drive shaft and the
5 coupling in the embodiment of the present invention.

Figure 43 is an exploded perspective view illustrating a state of mounting the coupling to the development supporting member, in the embodiment of the present invention.

10 Figure 44 is a perspective view of a coupling according to an embodiment of the present invention.

Figure 45 is a longitudinal sectional view illustrating an engaged state between the development shaft and the coupling according to the embodiment of
15 the present invention.

Figure 46 is a longitudinal sectional view showing an engaged state between the drive shaft and the coupling according to the embodiment of the present invention.

20 Figure 47 is a side view of a rotary flange according to an embodiment of the present invention.

Figure 48 is a side view of the rotary flange according to the embodiment of the present invention.

Figure 49 illustrates a locus of the coupling shown in Figure 47 according to an embodiment of the
25 present invention.

Figure 50 is a sectional view of the drive

shaft and the coupling of Figure 38 according to an embodiment of the present invention.

Figure 51 is an illustration of a coupling according to an embodiment of the present invention.

5 Figure 52 is a longitudinal sectional view illustrating a state before the engagement between the drive shaft and the coupling concerning an embodiment of the present invention.

Figure 53 is a perspective view and a
10 longitudinal sectional view of a coupling according to an embodiment of the present invention.

Figure 54 is a perspective view of a coupling according to an embodiment of the present invention.

Figure 55 is a longitudinal sectional view
15 showing an engaged state between the drive shaft and the coupling according to the embodiment of the present invention.

Figure 56 is a perspective view showing the process of engagement between the drive shaft and the
20 coupling according to the embodiment of the present invention.

Figure 57 is a perspective view of a developing cartridge according to an embodiment of the present invention.

25 Figure 58 is a perspective view of the developing cartridge according to the embodiment of the present invention.

Figure 59 is a perspective view illustrating a driving input gear according to an embodiment of the present invention.

Figure 60 is a perspective view of a
5 developing cartridge according to an embodiment of the present invention.

Figure 61 is a perspective view and a longitudinal sectional view of a coupling according to an embodiment of the present invention.

10 Figure 62 is an exploded longitudinal section of a coupling and a driving input gear according to an embodiment of the present invention.

Figure 63 is an exploded perspective view of the coupling and the bearing member according to the
15 embodiment of the present invention.

Figure 64 is a longitudinal sectional view of a developing cartridge according to an embodiment of the present invention.

Figure 65 is a longitudinal sectional view of
20 a developing cartridge according to an embodiment of the present invention.

Figure 66 is a perspective view showing an engaged state of the developing roller gear and the coupling according to the embodiment of the present
25 invention.

Figure 67 is a longitudinal sectional view illustrating process of engagement between the

coupling and the drive shaft according to the embodiment of the present invention.

Figure 68 is a perspective view of the drive shaft and the coupling according to an embodiment of
5 the present invention.

Figure 69 is a longitudinal sectional view illustrating the process of the disengagement of the coupling from the drive shaft according to the embodiment of the present invention.

10 Figure 70 is a perspective view of a developing cartridge according to an embodiment of the present invention.

Figure 71 is a perspective view of a side of a developing cartridge according to the embodiment of
15 the present invention (the side plate of the cartridge is omitted).

Figure 72 is a perspective view illustrating a driving input gear according to an embodiment of the present invention.

20 Figure 73 is a side view of the apparatus main assembly according to the embodiment of the present invention.

Figure 74 is a side view of an apparatus main assembly according to an embodiment of the present
25 invention.

Figure 75 is a sectional view of the apparatus main assembly according to the embodiment of the

present invention.

Figure 76 is a perspective view and a longitudinal sectional view illustrating the coupling according to an embodiment of the present invention.

5 Figure 77 is a side view and a perspective view of a coupling according to an embodiment of the present invention.

Figure 78 is a longitudinal sectional view illustrating the process of engagement and process of disengagement between the drive shaft and the coupling according to the embodiment of the present invention.

10

[BEST MODE FOR CARRYING OUT THE INVENTION]

Hereinbelow, a developing cartridge, an electrophotographic image forming apparatus, and a coupling member according to the present invention will be described with reference to the drawings.

15

In the following embodiments, a developing cartridge of the type in which a user can mount and demount the developing cartridge with respect to an apparatus main assembly. However, the present invention is also applicable to a developing device which is used in a state in which it is mounted and fixed to the main assembly.

20

Further, the present invention is specifically applicable to a single coupling member (e.g., those shown in Figures 6(a), 14(a3), 28(c), 30 and 77(b)), a

25

developing device (developing cartridge) (e.g., those shown in Figures 2, 57 and 60), and an electrophotographic image forming apparatus (e.g., those shown in Figures 5 and 75).

5 [Embodiment 1]

(1) Brief description of developing cartridge (developing device)

First, with reference to Figures 1 to 4, a developing cartridge B as a developing device to which
10 an embodiment of the present invention is applied (hereinafter simply referred to as a "cartridge") will be described. Figure 1 is a sectional view of the cartridge B. Figures 2 and 3 are perspective views of the cartridge B. Figure 4 is a sectional view of a
15 color electrophotographic image forming apparatus main assembly A (hereinafter referred to as an "apparatus main assembly").

This cartridge B can be mounted to and demounted from a rotary C provided to the apparatus
20 main assembly A by a user.

Referring to Figures 1 to 3, the cartridge B includes a developing roller 110. The developing roller is rotated by receiving a rotating force from the apparatus main assembly A through a coupling
25 mechanism described later during a developing function. In a developer accommodating frame 114, a developer of a predetermined color is accommodated. This

developer is fed to a developer chamber 113a in a predetermined amount by rotation of a stirring member 116. The fed developer is supplied to a surface of the developing roller by rotation of a sponge-like developer supplying roller 115 in the developer chamber 113a. This developer is formed in a thin layer by being supplied with electric charges by triboelectric charge between a thin plate-like developing blade 112 and the developing roller 110.

10 The developer formed in the thin layer on the developing roller 110 is fed to a developing position by rotation. By applying a predetermined developing bias to the developing roller 110, an electrostatic latent image formed on an electrophotographic

15 photosensitive member (hereinafter referred to as a "photosensitive drum") 107 is developed. That is, the electrostatic latent image is developed by the developing roller 110.

Further, developer which does not contribute to the development of the electrostatic latent image, i.e., residual developer removing on the surface of the developing roller 110 is removed by the developer supplying roller 115. At the same time, a fresh developer is supplied to the surface of the developing

25 roller 110 by the developer supplying roller 115. In this manner, a developing operation is successively performed.

The cartridge B includes a developing unit 119. The developing unit 119 includes a developing device frame 113 and the developer accommodating frame 114. The developing unit 119 further includes the
5 developing roller 110, the developing blade 112, the developer supplying roller 115, the developer chamber 113a, the developer accommodating frame 14, and the stirring member 116.

The developing roller 110 is rotatable about
10 an axial line L1.

Here, the developing cartridge B is mounted by the user to a developing cartridge accommodating portion 130A provided to a rotation selecting mechanism (developing rotary) C of the apparatus main
15 assembly A. At this time, as described later, a driving shaft of the apparatus main assembly A and a coupling member as a rotating driving force transmitting part of the cartridge B are connected to each other in interrelation with such an operation
20 that the cartridge B is positioned at a predetermined position (opposing portion to the photosensitive drum) by the developing rotary (rotation selecting mechanism) C. Thus, the developing roller 110 and the like are rotated by receiving a driving force from the
25 apparatus main assembly A.

(2) Description of electrophotographic image forming apparatus

With respect to Figure 4, a color electrophotographic image forming apparatus using the developing cartridge B described will be described. In the following, description will be made by taking a color laser beam printer as an example of the color electrophotographic image forming apparatus.

As shown in Figure 4, a plurality of cartridges B (B1, B2, B3, B4) accommodating developers (toners) different in color is mounted to the rotary C. The mounting and demounting of the cartridge B with respect to the rotary C are performed by the user. By rotating the rotary C, a cartridge B accommodating a developer of a predetermined color is disposed opposite to the photosensitive drum 107. Then, an electrostatic latent image formed on the photosensitive drum 107 is developed. The developed image is transferred onto a recording material S. This developing and transferring operation is performed for each of the colors. As a result, a color image is obtained. Hereinbelow, specific description will be made. The recording material S is a material on which an image can be formed and include, e.g., paper, an OHP sheet, and the like.

Referring to Figure 4, the photosensitive drum 107 is irradiated with light based on image information from an optical means 101. By this irradiation, an electrostatic latent image is formed

on the photosensitive drum 107. The electrostatic latent image is developed with a developer by the developing roller 110. The developer image formed on the photosensitive drum 107 is transferred onto an intermediary transfer member.

Next, the developer image transferred onto an intermediary transfer belt 104a as the intermediary transfer member is transferred onto the recording material S by a second transfer means. Then, the recording material S onto which the developer image is transferred is conveyed to a fixing means 105 including a pressing roller 105a and a heating roller 105b. The developer image transferred onto the recording material S is fixed on the recording material S. After the fixation, the recording material S is discharged on a tray 106.

An image forming step will be described more specifically.

In synchronism with rotation of the intermediary transfer belt 104a, the photosensitive drum 107 is rotated counterclockwisely (Figure 4). Then, a surface of the photosensitive drum 107 is electrically charged uniformly by a charging roller 108. The surface of the photosensitive drum 107 is irradiated with light depending on image information, e.g., about a yellow image by the optical (exposure) means 101. Thus, a yellow electrostatic latent image

is formed on the photosensitive drum 107.

The exposure means 101 is constituted as follows. The exposure means 101 irradiates the photosensitive drum 107 with high on the basis of the
5 image information read from an external device (not shown). As a result, the electrostatic latent image is formed on the photosensitive drum 107. The exposure means 101 includes a laser diode, a polygon mirror, a scanner motor, an imaging lens, and a reflection
10 mirror.

From the unshown external device, an image signal is sent. By this operation, the laser diode emits light depending on the image signal and the polygon mirror is irradiated with the light (as image
15 light). The polygon mirror is rotated at a high speed by the scanner motor to reflect the image light, so that the surface of the photosensitive drum 107 is selectively exposed to the image light through the imaging lens and the reflection mirror. As a result,
20 the electrostatic latent image depending on the image information is formed on the photosensitive drum 107.

Simultaneously with this electrostatic latent image formation, the rotary C is rotated, whereby a yellow cartridge B1 is moved to a developing position.
25 Then, a predetermined developing bias is applied to the developing roller 110. As a result, a yellow developer is deposited on the electrostatic latent

image, so that the electrostatic latent image is developed with the yellow developer. Thereafter, a bias voltage of an opposite polarity to that of the developer is applied to a pressing roller (a primary transfer roller) 104j for the intermediary transfer belt 104a, so that the yellow developer image on the photosensitive drum 107 is primary-transferred onto the intermediary transfer belt 104a.

As described above, after the primary transfer of the yellow developer image is completed, the rotary C is rotated. As a result, a subsequent cartridge B2 is moved to be located at a position opposite to the photosensitive drum 107. The above-described process is performed with respect to a magenta cartridge B2, a cyan cartridge B3, and a black cartridge B4. In this way, by repeating the process for each of magenta, cyan, and black, four color developer images are superposed on the intermediary transfer belt 104a.

Incidentally, the yellow cartridge B1 accommodates the yellow developer and forms the yellow developer image. The magenta cartridge B2 accommodates a magenta developer and forms a magenta developer image. The cyan cartridge B3 accommodates a cyan developer and forms a cyan developer image. The black cartridge B4 accommodates a black developer and forms a black developer image.

During the image formation described above, a

secondary transfer roller 104b is in a noncontact state with the intermediary transfer belt 104a. A cleaning charging roller 104f is also in a noncontact state with the intermediary transfer belt 104a.

5 After the four color developer images are formed on the intermediary transfer belt 104a, the secondary transfer roller 104b is pressed against the intermediary transfer belt 104a (Figure 4). In synchronism with the press contact of the secondary
10 transfer roller 104b, the recording material S waiting at a position in the neighborhood of a registration roller pair 103e is sent to a nip between the transfer belt 104a and the transfer roller 104b. At the same time, a recording material S is fed from a cassette
15 103a by a feeding roller 103b and a conveying roller pair 103c as a feeding (conveying) means 103.

Immediately before the registration roller pair 103e, a sensor 99 is disposed. The sensor 99 detects a leading end of the recording material S and
20 stops the rotation of the registration roller pair 103e, thus placing the recording material S in a standby state at a predetermined position.

To the transfer roller 104b, a bias voltage of an opposite polarity to that of the developer is
25 applied, so that the developer images on the transfer belt 104a are simultaneously secondary-transferred onto the conveyed recording material S.

The recording material S onto which the developer images are transferred and conveyed to the fixing means 105 through a conveying belt unit 103f. By the fixing means 105, fixation of the developer images is performed. The recording material S subjected to the fixation is discharged on a discharging tray 106 disposed at an upper portion of the apparatus main assembly by a discharging roller pair 103g. In this way, formation of an image on the recording material S is completed.

After completion of the secondary transfer, the charging roller 104f is pressed against the transfer belt 104a, so that the surface of the belt 104a and the developer remaining on the surface of the belt 104a are supplied with the predetermined bias voltage. As a result, a residual electric charge is removed.

The residual developer subjected to the charge removal is electrostatically re-transferred from the belt 104a onto the photosensitive drum 107 through a primary transfer nip. As a result, the surface of the belt 104a is cleaned. The residual developer re-transferred onto the photosensitive drum 107 after the secondary transfer is removed by a cleaning blade 117a contacting the photosensitive drum 107. The removed developer is collected in a residual developer box 107d through a conveying passage (not

shown).

Incidentally, an accommodating portion 130a is a chamber in which the above-described cartridge B is accommodated and is provided to the rotary C at a plurality of positions. The rotary C is rotated in one direction in a state in which the cartridge B is mounted in the chamber. As a result, a coupling member (described later) of the cartridge B is connected to a driving shaft 180 provided to the apparatus main assembly A and disconnected from the driving shaft 180. The cartridge B (developing roller 110) is moved in a direction substantially perpendicular to an axial line L3 direction of the driving shaft 180 depending on the movement of the rotary C in one direction.

(3) Constitution of developing roller

Next, with reference to Figures 5(a) and 5(b), a constitution of the developing roller 110 will be described. Figure 5(a) is a perspective view of the developing roller 110 as seen from a receiving side of a driving force from the main assembly A to the developing roller 110 (hereinafter simply referred to as a "driving side"). Figure 5(b) is a perspective view of the developing roller 110 as seen from a side opposite from the driving side with respect to the axial direction of the developing roller 110 (hereinafter referred to as a "non-driving side").

The developing roller 110 includes a

developing shaft 153 and a rubber portion 110a. The
developing shaft 153 is formed of an electroconductive
material such as iron or the like in an elongated
shaft shape and is covered with the rubber portion
5 110a at a portion except for both end portions with
respect to the axial direction. The developing shaft
153 is rotatably supported by the developing device
frame 113 through bearings (not shown) at both end
engaging portions 153d1 and 153d2. Further, a
10 cartridge 150 described later is positioned at an end
portion 153b on the driving side. The cartridge 150 is
engaged with a rotating force transmitting pin 155
described later to transmit a driving force. The
rubber portion 110 coaxially covers the developing
15 shaft 153. The rubber portion 110 carries the
developer and develops the electrostatic latent image
by application of a bias to the developing shaft 153.

Nip width regulating members 136 and 137 are
members for regulating a nip width of the developing
20 roller 110 with respect to the photosensitive drum 107
at a constant value.

The unshown bearings are disposed at the both
end portions 153d1 and 153d2 of the developing roller
110 so as to support rotatably the developing roller
25 110 on the developing device frame 113 (Figure 1).

A developing gear (not shown) is disposed at
the driving-side end portion 153d1 of the developing

roller 110 and fixed to the developing shaft 153. The unshown developing gear transmits the rotating force received from the apparatus main assembly A to the developing roller 110 to other rotating members (e.g.,
5 the developer supplying roller 115, the stirring member, and the like) of the developing cartridge B.

Next, the driving-side end portion of the developing shaft 153 at which the cartridge 150 is movably (pivotably, swingably) mounted will be
10 described more specifically. The end portion 153b has a spherical shape so that the axial line L2 of the cartridge 150 (described later) can be inclined smoothly. In the neighborhood of an end of the developing shaft 153, the driving force transmitting
15 pin 155 for receiving the rotating force from the cartridge 150 is disposed in a direction crossing the axial line L1 of the developing shaft 153.

The pin 155 as the rotating force transmitting portion is formed of metal and fixed to the developing
20 shaft 153 by a method such as press fitting, bonding, or the like. The fixing position may be any position at which a driving force (rotating force) can be transmitted, i.e., a direction crossing the axial line L1 of the developing shaft (developing roller). It is
25 desirable that the pin 155 passes through a spherical center P2 (Figure 10b) of the end portion 153b of the developing shaft 153. This is because a transmission

diameter of the rotating force is always kept at a constant level even in the case where the axial line L1 of the developing shaft 153 and the axial line L2 of the cartridge 150 are somewhat deviated from each other. For this reason, it is possible to realize stable rotating force transmission. The rotating force transmitting point may be provided at any positions. However, in order to transmit a driving torque (rotating force) with reliability and improve an assembly property, a single pin 155 is employed in this embodiment. The pin 155 is passed through the center P2 of the end spherical surface 153b. As a result, the pin 155 (155a1 and 155a2) is disposed so as to be projected at positions 180-degree opposite from each other at a peripheral surface of the driving shaft. That is, the rotating force is transmitted at two points. In this embodiment, the pin 155 is fixed at the end portion side within 5 mm from the end of the drum shaft 153. However, the present invention is not limited thereto.

Incidentally, a main assembly-side developing electric contact (not shown) is disposed in the apparatus main assembly A so as to contact a non-driving-side end portion 153c of the electroconductive developing shaft 153. An electric contact (not shown) of the developing cartridge and the main assembly-side developing electric contact are

brought into contact with each other. In this way, a high-voltage bias is supplied from the apparatus main assembly A to the developing roller 110.

- (4) Description of rotating driving force transmitting part (coupling, coupling member)

An embodiment of the coupling (coupling member) which is a rotating driving force transmitting part as a principal constituent-element of the present invention will be described with reference to Figures 6(a) to 6(f). Figure 6(a) is a perspective view of the coupling as seen from the apparatus main assembly side and Figure 6(b) is a perspective view of the coupling as seen from the photosensitive drum side. Figure 6(c) is a view of the coupling as seen from a direction perpendicular to a direction of a coupling rotating axis L2. Figure 6(d) is a side view of the coupling as seen from the apparatus main assembly side and Figure 6(e) is a view of the coupling as seen from the photosensitive drum side. Figure 6(f) is a sectional view of the coupling taken along S3 - S3 line shown in Figure 6(d).

The developing cartridge B is detachably mounted to the cartridge accommodating portion 130a in the rotary C provided in the apparatus main assembly A. This mounting is performed by the user. The rotary C is rotationally driven and stopped at a position at which the cartridge B reaches a predetermined position

(developing position at which the cartridge B is located opposite to the photosensitive drum 107). By this operation, the coupling (coupling member) 150 is engaged with a driving shaft 180 provided to the apparatus main assembly A. Further, the rotary C is rotated in one direction to move the cartridge B from the predetermined position (developing position). That is, the cartridge B is retracted from the predetermined position. As a result, the coupling 150 is moved apart from the driving shaft 180. The coupling 150 receives the rotating force from a motor 64 (Figure 17) provided to the apparatus main assembly A in a state of engagement with the driving shaft 180. The coupling 150 transmits the rotating force to the developing roller 110. As a result, the developing roller 110 is rotated by the rotating force received from the apparatus main assembly A.

As described above, the driving shaft 180 has a pin 182 (rotating force applying portion) and is rotated by the motor 64.

A material for the coupling 150 is a resin material such as polyacetal, polycarbonate, or the like. In order to enhance rigidity of the coupling 150, it is also possible to enhance the rigidity by incorporating glass fiber or the like into the resin material depending on a load torque. Further, it is also possible to employ a metal material. Thus, the

material for the coupling 150 may be appropriately selectable. However, the resin-made coupling can be easily processed, so that the respective cartridges in this embodiment are formed of the resin material.

5 The coupling 150 mainly comprises three portions.

 The first portion is engageable with the drive shaft 180 (which will be described hereinafter) as shown in Figure 6(c), and it is a driven portion 150a
10 for receiving the rotational force from the rotational force transmitting pin 182 which is a rotational force applying portion (main assembly side rotational force transmitting portion) provided on the drive shaft 180. In addition, the second portion is engageable with the
15 pin 155 provided to the developing device shaft 153, and it is a driving portion 150b for transmitting the rotational force to the developing roller 110. In addition, the third portion is an intermediate portion 150c for connecting the driven portion 150a and the
20 driving portion 150b with each other (Figure 8 (c) and (f)).

 As shown in Figure 6(f) the driven portion 150a is provided with a drive shaft insertion opening portion 150m which expands toward the rotation axis L2.
25 The driving portion 150b has a developing device shaft insertion opening portion 150l.

 The opening 150m is defined by a conical

driving shaft receiving surface 150f which expands toward the drive shaft 180 (Figures 9 to 13) side. The receiving surface 150f constitutes a recess 150z as shown in Figure 6 (f). The recess 150z includes the opening 150m at a position opposite from the developing roller 110 with respect to the direction of the axis L2.

By this, regardless of rotation phase of the developing roller 110 in the cartridge B, the coupling 150 can move (pivot) among a pre-engagement angular position (Figure 22(a)), a rotational force transmitting angular position (Figure 22(d)), and a disengaging angular position (Figures 25(a) (d)) relative to the axis L3 of the drive shaft 180 without being prevented by the free end portion 182a of the drive shaft 180. The details thereof will be described hereinafter.

A plurality of projections (the engaging portions) 150d (150d1 - 150d4) are provided at equal intervals on a circumference about the axis L2 on an end surface of the recess 150z. Between the adjacent projections 150d, entrance portions 150k (150k1, 150k2, 150k3, 150k4) are provided. An interval between the adjacent projections 150d1 - 150d4 is larger than the outer diameter of the pin 182, so that the rotational force transmitting pins provided to the drive shaft 180 (rotational force applying portions) 182 are

received. The pins are the rotational force applying portions. The recesses between the adjacent projections are the entrance portions 150k1-150k4. When the rotational force is transmitted to the coupling 150 from the drive shaft 180, the pins 182 are received by any of the entrance portions 150k1-150k4. In addition, in Figure 6 (d), the rotational force reception surfaces (rotational force receiving portions) 150e (150e1-150e4) are provided in the upstream with respect to the clockwise direction (X1) of each projection 150d. The receiving surface 150e1-150e4 is extended in the direction crossing with the rotational direction of the coupling 150. More particularly, the projection 150d1 has a receiving surface 150e1, the projection 150d2 has a receiving surface 150e2, the projection 150d3 has a receiving surface 150e3, and, a projection 150d4 has a receiving surface 150e4. In the state where the drive shaft 180 rotates, the pin 182a1, 182a2 contacts to any of the receiving surfaces 150e. By doing so, the receiving surface 150e contacted by the pin 182a1, 182a2 is pushed by the pin 182. By this, the coupling 150 rotates about the axis L2.

In order to stabilize the transmission torque transmitted to the coupling 150 as much as possible, it is desirable to dispose the rotational force receiving surfaces 150e on a phantom circle (the same

circumference) that has a center O on the axis L2(Figure 6(d)). By this, the rotational force transmission radius is constant and the torque transmitted to the coupling 150 is stabilized. In addition, as for the projections 150d, it is preferable that the position of the coupling 150 is stabilized by the balance of the forces which the coupling 150 receives. For that reason, in this embodiment, the receiving surfaces 150e are disposed at the diametrically opposed positions (180 degrees). More particularly, in this embodiment, the receiving surface 150e1 and the receiving surface 150e3 are diametrically opposed relative to each other, and the receiving surface 150e2 and the surface 150e4 are diametrically opposed relative to each other. By this arrangement, the forces which the coupling 150 receives constitute a force couple. Therefore, the coupling 150 can continue rotary motion only by receiving the force couple. For this reason, the coupling 150 can rotate without the necessity of being specified in the position of the rotation axis L2 thereof. In addition, as for the number thereof, as long as the pins 182 of the drive shaft 180 (the rotational force applying portion) can enter the entrance portions 150k(150k1-150k2), it is possible to select suitably. In this embodiment, as shown in Figure 6, the four receiving surfaces are provided.

This embodiment is not limited to this example. For example, the receiving surfaces 150e (projections 150d1-150d4) do not need to be disposed on the same circumference (the phantom circle C1 and Figure 6(d)).

5 Or, it is not necessary to dispose at the diametrically opposed positions. However, the effects described above can be provided by disposing the receiving surfaces 150e as described above.

Here, in this embodiment, the diameter of the
10 pin is approximately 2 mm, and a circumferential length of the entrance portion 150k is approximately 8 mm. The circumferential length of the entrance portion 150k is an interval between adjacent projections 150d (on the phantom circle). The dimensions are not
15 limiting to the present invention.

Similarly to the opening 150m, a developing device shaft insertion opening portion 150l has a conical rotational force receiving surface 150i of an
as an expanded part which expands toward the
20 developing device shaft 153. The receiving surface 150i constitutes a recess 150q, as shown in Figure 6 (f).

By this, irrespective of the rotation phase of the developing roller 110 in the cartridge B, the
25 coupling 150 can move (pivot, swing) among a rotational force transmitting angular position, a pre-engagement angular position, and a disengaging angular position

to the axis L1 without being prevented by the free end portion of the developing device shaft 153. The recess 150q is constituted in the illustrated example by a conical receiving surface 150i which it has centering on the axis L2. The standby openings 150g 1 or 150g2 ("opening") are provided in the receiving surface 150i (Figure 6(b)). As for the coupling 150, the pins 155 can be inserted into the inside of this opening 150g 1 or 150g2 so that it may be mounted to the developing device shaft 153. And, the size of the openings 150g 1 or 150g2 is larger than the outer diameter of the pin 155. By doing so, irrespective of the rotation phase of the developing roller 110 in the cartridge B, the coupling 150 is movable (pivotable, swingable) among the rotational force transmitting angular position and the pre-engagement angular position (or disengaging angular position) as will be described hereinafter without being prevented by the pin 155.

More particularly, the projection 150d is provided adjacent to the free end of the recess 150z. And, the projections (projection portions) 150d project in the intersection direction crossing with the rotational direction in which the coupling 150 rotates, and are provided with the intervals along the rotational direction. And, in the state where the cartridge B is mounted to the rotary C, the receiving surfaces 150e engage to or abutted to the pin 182, and

are pushed by the pin 182 receiving the force from the rotating drive shaft.

By this, the receiving surfaces 150e receive the rotational force from the drive shaft 180. In addition, the receiving surfaces 150e are disposed in equidistant from the axis L2, and constitute a pair interposing the axis L2 they are constituted by the surface in the intersection direction in the projections 150d. In addition, the entrance portions (recesses) 150k are provided along the rotational direction, and they are depressed in the direction of the axis L2.

The entrance portion 150k is formed as a space between the adjacent projections 150d. In the state where the cartridge B is mounted to the rotary C in the case where the drive axis stops its rotation, the pin 182 enters the entrance portion 150k when the coupling engages with the drive shaft 180. And, the pin 182 of the rotating drive shaft 180 pushes the receiving surface 150e. Or, in the case where the drive shaft 180 has already rotated when the coupling engages with the drive shaft 180, the pin 182 enters the entrance portion 150k and pushes the receiving portion 150e.

By this, the coupling 150 rotates.

The rotational force receiving surface (rotational force receiving member (portion)) 150e may

be disposed inside of the driving shaft receiving surface 150f. Or, the receiving surface 150e may be provided in the portion outwardly projected from the receiving surface 150f with respect to the direction
5 of the axis L2. When the receiving surface 150e is disposed inside of the receiving surface 150f, the entrance portion 150k is disposed inside of the receiving surface 150f

More particularly, the entrance portion 150k is
10 the recess provided between the projections 150d in the inside of the arc part of the receiving surface 150f. In addition, when the receiving surface 150e is disposed at the position which outwardly projects, the entrance portion 150k is the recess positioned between
15 the projections 150d. Here, the recess may be a through hole extended in the direction of the axis L2, or it may be closed at one end thereof. More particularly, the recess is provided by the space region provided between the projection 150d. And, what
20 is necessary is just to be able to enter the pin 182 into the region in the state where the cartridge B is mounted to the rotary C.

These structures of the standing-by portion apply similarly to the embodiments as will be
25 described hereinafter.

In Figure 6 (e), the rotational force transmission surfaces (the rotational force

transmitting portions) 150h and (150h 1 or 150h2) are provided in the upstream, with respect to the counterclockwise direction (X2), of the opening 150g 1 or 150g2. And, the rotational force is transmitted to the developing roller 110 from the coupling 150 by the convection sections 150h 1 or 150h2 contacting to the pins 155a1, 155a2. More particularly, the transmitting surfaces 150h 1 or 150h2 push the side surface of the pin 155. By this, the coupling 150 rotates with the center thereof aligned with the axis L2. The transmitting surface 150h1 or 150h2 is extended in the direction crossing with the rotational direction of the coupling 150.

Similarly to the projection 150d, it is desirable to dispose the transmitting surfaces 150h1 or 150h2 diametrically opposed relative to each other on the same circumference.

At the time of manufacturing the drum coupling member 150 with an injection molding, the intermediate portion 150c may become thin. This is because the coupling is manufactured so that the driving force receiving portion 150a, the driving portion 150b and the intermediate portion 150c have a substantially uniform thickness. When the rigidity of the intermediate portion 150c is insufficient, therefore, it is possible to make the intermediate portion 150c thick so that driven portion 150a, the driving portion

150b, and the intermediate portion 150c have the substantially equivalent thickness.

(6) shape of supporting member

5 The description will be made, referring to Figure 7, about a supporting member (mounting member) 157. Figure 7 (a) is a perspective view, as seen from a drive shaft side, and Figure 7 (b) is a perspective view, as seen from the developing roller side.

10 The supporting member 157 has functions of holding the coupling 150 and positioning the cartridge B in the rotary C. Further, it has the function of supporting the coupling 150 so that the rotational force can be transmitted to the developing roller 110.

15 More particularly, the supporting member 157 mounts the cartridge 150 to the cartridge 150.

 As shown in Figure 7 the supporting member includes a guide 140L2 during mounting and demounting of the cartridge B with respect to an accommodating portion 130a provided to the rotary C and a cylinder 20 140L1 for positioning the cartridge B in the accommodating portion 130a. And, the coupling 150 described above is disposed in an inner space 157b of a cylinder portion 157c provided coaxially with the 25 developing roller (not shown). At an inner peripheral surface 157i constituting the space 157b, ribs 157e1 and 157e2 for retaining the coupling 150 in the

cartridge B are provided. The ribs 157e1 and 157e2 are provided opposite to each other with respect to a movement direction X4 of the cartridge B (rotational direction of the rotary C). The supporting member 157 is provided with positioning portions 157d1 and 157d2 for fixing it to the developing device frame 113 and provided with holes 157g1 or 157g2 which penetrate the fixing screw.

(6) Supporting constitution of coupling with respect to cartridge frame

Referring to Figure 8 - Figure 13, the description will be made as to the supporting constitution (mounting constitution) of the developing roller 110 and the coupling 150 with respect to the developing device frame (cartridge frame) 113. Figure 8 is an enlarged view, as seen from the driving side, of the major part around the developing roller of the cartridge. Figure 9 is a sectional view taken along S4-S4 of Figure 8. Figure 10 is a sectional view, taken along a developing axis L1, which illustrate the state before mounting of the coupling and supporting member. Figure 11 is a sectional view which illustrates a state after the mounting. Figure 12 is a sectional view when the axis L2 of the coupling is substantially coaxially aligned with the axis L1 of the developing roller. Figure 13 is a sectional view

which illustrates a state after rotating the coupling through 90 degrees from the state of Figure 12. Figure 14 is a perspective view which illustrates the combined state of the developing roller shaft and the coupling. Figure 14(b1)-(b5) are perspective views, and Figure 15(a1)-(a5) are views as seen from the axis L1 direction.

As shown in Figure 14 the coupling 150 is mounted so that the axis L2 thereof can incline in any direction relative to the axis L1 of the developing roller shaft 153 (developing roller).

In Figure 14 (a1) and Figure 14 (b1), the axis L2 of the coupling 150 is co-axial with the axis L1 of the developing roller 153. The state when the coupling 150 is inclined upward from this state is illustrated in Figure 14 (a2) and Figure 14 (b2). As shown in these figures, when the axis L2 is inclined toward the opening 150g side, the pin moves within the opening 150g when these members are relatively viewed on the basis of the coupling. As a result, the coupling 150 is inclined about an axis AX (Figure 12 (a2)) perpendicular to the opening 150a.

In Figure 14 (b3), the state where the coupling 150 is inclined rightward is shown. As shown in this Figure, when the axis L2 inclines in the orthogonality direction of the opening 150g, the pin rotates within the opening 150g when these members are

relatively viewed on the basis of the coupling. The axis of rotation is the axis AY (Figure 14(a3)) of the transmission pin 155.

The states where the coupling 150 is inclined downward and leftward are shown in Figures 14(a4) and (b4) and Figures 14 (a5) and (b5), respectively. The coupling 150 inclined about each of the axes AX and AY.

In the directions different from the inclining direction described in the foregoing, for example, at an intermediate position in the inclination direction in Figures 14 (a2) and 14 (a3), and at each of intermediate positions in the inclination directions in Figures 14 (a3) and 14 (a4) and Figure 14 (a5) and 14 (a2), the inclination is made by combining the rotations in the directions of the rotational axes AX and AY. Thus, the axis L2 can be pivoted in any direction relative to the axis L1. At this time, the pin 155 is provided to the developing roller shaft 153. More particularly, the pin 155 projects from a peripheral surface of the developing roller shaft 153. The coupling 150 disposed opposite to the pin 155 is provided with the opening 150g. A size of the opening 150g is set so that the pin does not interfere with the pin when the axis L2 inclined relative to the axis L1.

More particularly, the transmitting surface (rotational force transmitting portion) 150h is

movable relative to the pin (rotational force
receiving portion) 155 (figure 14). The pin 155 has the
transmitting surface 150 in the movable condition. And,
the transmitting surface 150h and the pin 155 are
5 engaged to each other in the rotational direction of
the coupling 150. Further, the gap is provided between
the transmitting surface 150h and the pin 155. By this,
the coupling 150 is movable (pivotable, swingable) in
all directions substantially relative to the axis L1.

10 It has been mentioned that the axis L2 is
slantable or inclinable in any direction relative to
the axis L1. However, the axis L2 does not necessarily
need to be linearly slantable to the predetermined
angle in the full range of 360-degree direction in the
15 coupling 150. For example, the opening 150g can be
selected to be slightly wider in the circumferential
direction. By doing so, the time of the axis L2
inclining relative to the axis L1, even if it is the
case where it cannot incline to the predetermined
20 angle linearly, the coupling 150 can rotate to a
slight degree around the axis L2. Therefore, it can be
inclined to the predetermined angle. In other words,
the amount of the play in the rotational direction of
the opening 150g is selected properly if necessary.

25 In this manner, the coupling 150 is revolvable
or swingable over the full-circumference substantially
relative to the axis L1 of the developing roller 110.

More particularly, the coupling 150 is pivotable over the full-circumference thereof substantially relative to the drum shaft 153.

Furthermore, as will be understood from the foregoing explanation, the coupling 150 is capable of whirling in and substantially over the circumferential direction of the drum shaft 153. Here, the whirling motion is not a motion with which the coupling itself rotates about the axis L2, but the inclined axis L2 rotates about the axis L1 of the developing roller although the whirling here does not preclude the rotation of the coupling per se about the axis L2 of the coupling 150.

It has been mentioned that the axis L2 is slantable or inclinable in any direction relative to the axis L1. However, the axis L2 does not necessarily need to be linearly slantable to the predetermined angle in the full range of 360-degree direction in the coupling 150. For example and the opening 150g can be selected to be slightly wider in the circumferential direction. By doing so, the time of the axis L2 inclining relative to the axis L1, even if it is the case where it cannot incline to the predetermined angle linearly and the coupling 150 can rotate to a slight degree around the axis L2. Therefore, it can be inclined to the predetermined angle. In other words, the amount of the play in the rotational direction of

the opening 150g is selected properly if necessary, in this manner and the coupling 150 is revolvable or swingable over the full-circumference substantially relative to drum shaft (rotational force receiving member) 153. More particularly and the coupling 150 is pivotable over the full-circumference thereof substantially relative to the drum shaft 153, furthermore and as will be understood from the foregoing explanation, the coupling 150 is capable of whirling in and substantially over the circumferential direction of the drum shaft 153. Here and the whirling motion is not a motion with which the coupling itself rotates about the axis L2 and but the inclined axis L2 rotates about the axis L1 of the photosensitive drum and although the whirling here does not preclude the rotation of the coupling per se about the axis L2 of the coupling 150.

In addition, the range movable in all directions substantially is the range in which when the user mounts the cartridge B to the apparatus main assembly A, the coupling can move to the rotational force transmitting angular position irrespective of the phase of the drive shaft having the rotational force applying portion. In addition, it is the range in which, in disengaging the coupling from the drive shaft, the coupling can move to the disengaging angular position irrespective of the stop angle phase

of the drive shaft.

In addition, the coupling is provided with a gap between the rotational force transmitting portion (rotational force transmitting surface 150h, for example), and the rotational force transmitting portion and the rotational force receiving portion (pin 155, for example) to engage, so that it is pivotable in all directions substantially relative to the axis L1. In this manner, the coupling is mounted to the end of the cartridge B. For this reason, the coupling is the movable substantially in all directions relative to the axis L1.

This structure is similar in the embodiments of the coupling as will be described hereinafter.

The assembling processes will be described.

After mounting the developing roller 110 rotatably to the developing device frame 113, the pin 155 is mounted to the development shaft 153. Thereafter, the development gear 145 is assembled to the development shaft 153.

Thereafter, as shown in Figure 10, the coupling 150 and the supporting member 157 are inserted in the direction X3. First, the driving portion 150b is inserted toward the direction X3 downstream, while maintaining the axis L2 of the coupling 150 in parallel with X3. At this time, the phase of the pin 155 of the development shaft 153 and

the phase of the opening 150g of the coupling 150 are matched with each other, and the pin 155 is made inserted into the openings 150g1 or 150g2. And, the free end portion 153b of the development shaft 153 is abutted to the receiving surface 150i the coupling 150. The free end portion 153b of the development shaft 153 is the spherical surface and the receiving surface 150i the coupling 150 is a conic surface. Therefore, the driving portion 150b side of the coupling 150 is positioned to the center (the center of the spherical surface) of the free end portion 153b of the development shaft 153. As will be described hereinafter, when the coupling 150 rotates by the transmission of the driving force (rotational force) from the apparatus main assembly A, the pin 155 positioned in the opening 150g will be contacted to the rotational force transmission surfaces 150h 1 or 150h2 and (Figure 6b). By this, the rotational force can be transmitted. Thereafter, one 157w of the end of surfaces of the supporting member 157 is inserted downstream with respect to the direction X3. By this, a part of coupling 150 is received in the space portion 157b of the supporting member 157. And, the supporting member 157 is fixed in the developing frame 113, thus, an integral developing cartridge B is established.

The dimensions of the various portions of the

coupling 150 will be described. As shown in Figure 10 (c), a maximum outer diameter of the driven portion 150a of the coupling 150 is $\Phi D2$, a maximum outer diameter of the driving portion 150b is $\Phi D1$, and a
5 small diameter of the opening 150g is $\Phi D3$. In addition, a maximum outer diameter of the pin 155 is $\Phi D5$, and an inner diameter of the retention rib 157e of the supporting member 157 is $\Phi D4$. Here, the maximum outer diameter is the outer diameter of a maximum rotation
10 locus about the rotational axis L1 of the developing roller 110. The maximum outer diameters $\Phi D1$, and $\Phi D3$ relating to the coupling 150 are the outer diameter of maximum rotation locus about the axis L2. At this time, since $\Phi D5 < \Phi D3$ is satisfied, the
15 coupling 150 can be assembled to the predetermined position by the straight mounting operation in the direction X3 therefore, the assembling property is high. The diameter of the inner surface $\Phi D4$ of the retention rib 157e of the bearing member 157 is larger
20 than $\Phi D2$ of the coupling 150, and smaller than $\Phi D1$ ($\Phi D2 < \Phi D4 < \Phi D1$). By this, just the step attached to the direction X3 straight is sufficient to assemble the supporting member 157 to the predetermined position. For this reason, the assembling property can
25 be improved (the state after the assembly is shown in Figure 11).

As shown in Figure 11, the retention rib 157e

of the supporting member 157 is disposed closely to a flange portion 150j of the coupling 150 in the direction of the axis L1. More specifically, in the direction of the axis L1, the distance from an end surface 150j1 of the flange portion 150j to the axis of the pin 155 is n1. In addition, the distance from an end surface 157e1 of the rib 157e to the other end surface 157j2 of the flange portion 150j is n2. The distance $n2 < n1$ is satisfied.

10 In addition, with respect to the direction perpendicular to the axis L1, the flange portion 150j and the ribs 157e1, 157e2 are disposed so that they are overlapped relative to each other. More specifically, the distance n4 (amount of the overlapping) from the inner surface 157e3 of the rib 157e to the outer surface 150j3 of the flange portion 150j is the overlap amount n4 with respect to the orthogonality direction of the axis L1.

By such settings, the pin 155 is prevented from disengaging from the opening 150g. That is, the movement of the coupling 150 is limited by the bearing member 157. Thus, the coupling 150 does not disengage from the cartridge. The prevention of disengagement can be accomplished without additional parts. The dimensions described above are desirable from the standpoint of reduction of manufacturing and assembling costs. However, the present invention is

not limited to these dimensions.

As described above Figure 9, 11 and 12, the receiving surface 150i which is the recess 150q of the coupling 150 is in contact with the free end surface 5 153b of the development shaft 153 which is the projection. Therefore, the coupling 150 is swung along the free end portion (the spherical surface) 153b about the center P2 of the free end portion (the spherical surface) 153b in other words, the axis L2 is 10 movable substantially in all directions irrespective of the phase of the drum shaft 153. The axis L2 of the coupling 150 is movable (pivotable, revolvable, movable) in all directions substantially. As will be described hereinafter, in order that the coupling 150 15 may engage with the drive shaft 180, the axis L2 is inclined toward the downstream with respect to the rotating direction of the rotary C relative to the axis L1, just before the engagement. In other words, as shown in Figure 17, the axis L2 inclines so that 20 the driven portion 150a of the coupling 150 positions at the downstream side with respect to the rotational direction X4 of the rotary.

The still more detailed description will be made.

25 As shown in Figure 12, a distance n3 between a maximum outer diameter part and supporting member 157 of the driving portion 150b the coupling 150 is

selected so that a slight gap is provided between them.
By this, the coupling 150 is pivotable.

As shown in Figure 7, the ribs 157e1 and 157e2
are semi-circular ribs extending in parallel with the
5 axis L1. The ribs 157e1 and 157e2 are perpendicular to
the rotational direction X4.

In addition, a distance n2 (Figure 11) in the
direction of the axis L1 from the rib 157e to the
flange portion 150j is shorter than a distance n1 from
10 the center of the pin 155 to the driving portion 150b
side edge. By this, the pin 155 does not disengage
from the openings 150g1 and 150g1.

Therefore, as shown in Figure 9, the driven portion
150a is greatly pivotable in the direction X4 relative
15 to the axis L2 the coupling 150. In other words, the
driving portion 150b is greatly pivotable toward the
side not provided with the rib 150e (perpendicular to
the sheet of the drawing). Figure 9 illustrates the
state after the axis L2 is inclined. In addition,
20 the coupling 150 can also be movable to the state
substantially parallel to the axis L1 as shown in
Figure 12 from the state of the inclined axis L2 as
shown in Figure 9. In this manner, the ribs 157e1 and
157e2 are disposed. By doing so, the axis L2 of the
25 coupling 150 can be made pivotable relative to the
axis L1, and in addition, the developing frame and 13
can be prevented from disengaging from the coupling

150. Both of the effects can be provided.

The coupling 150 has a play (the distance n_2) in the direction of the axis L1 relative to the development shaft 153. Therefore, the receiving surface 150i (the conic surface) may not always contact snugly the drum shaft free end portion 153b (the spherical surface). In other words, the center of the pivoting may deviate from the center of curvature P2 of the spherical surface. However, even in such a case, the axis L2 is rotatable or pivotable relative to the axis L1. For this reason, the purpose of this embodiment can be accomplished.

In addition, maximum possible inclination angle α (Figure 9) between the axis L1 and the axis L2 is limited to one half of the taper angle (α_1 , Figure 6(f)) between the axis L2 and the receiving surface 150i. The apex angle of the conical shape of the receiving surface 150i the coupling 150 can be properly selected. By doing so, the inclination angle α of the coupling 150 are set to the optimal value. The shape of the columnar portion 153a of the development shaft 153 may be simply cylindrical. By this, the manufacturing cost can be saved.

The width of the opening 150g in the standby state is selected so that the pin 155 may not interfere when the axis L2 inclines, as described hereinbefore.

The locus of the flange portion 150j when the driven portion 150a side inclines in the direction X5 is illustrated by the region T1 in Figure 13. As shown in the Figure, even if the coupling 150 inclines, the interference with the pin 155 does not occur, and therefore, the flange portion 150j can be provided over the full-circumference of the coupling 150 (Figure 6(b)). In other words, the shaft receiving surface 150i has conical shape, and therefore, when the coupling 150 inclines, the pin 155 does not enter in the region T1. For this reason, the cutting away range of the coupling 150 is minimized. Therefore, the rigidity of the coupling 150 can be assured.

(7) Description of constitution of rotary (moving member, rotation selecting mechanism) of apparatus main assembly

Next, with reference to Figures 15 to 21, a constitution of the rotary C as the moving member will be described. Figures 15 and 16 are perspective views of the rotary C in a state in which the developing cartridge B is not mounted. Figure 17A is a perspective view showing a state in which a single developing cartridge B is mounted to the rotary C. Figures 18 to 21 are side views showing the rotary C, the photosensitive drum 107, a driving train, and the developing cartridge B.

In the axial line L1 direction, rotary flanges

50L and 50R are provided at both end portions. Outside the rotary flanges 50L and 50R in the axial line L1 direction, rotary side plates 54L and 54R are provided, respectively. The rotary flanges 50L and 50R and a
5 central shaft 51 thereof are rotatably supported by the side plates 54L and 54R located outermostly in the axial line L1 direction.

At opposing surfaces 50Lb and 50Rb of the pair of flanges 50L and 50R, groove-like main assembly
10 guides 130L1, 130L2, 130L3, 130L4, 130R1, 130R2, 130R3, and 130R4 used during mounting and demounting of the cartridge B with respect to the rotary C (accommodating portion 130A) are provided. Along these main assembly guides provided to the apparatus main
15 assembly A, cartridge-side guides 140R1, 140R2, 140L1, and 140L2 (Figures 2 and 3) of the cartridge B are inserted. That is, the cartridge B is mountable to and demountable from the rotary C. The cartridge B is detachably mounted to the rotary C by the user.

20 More specifically, at one end of the cartridge B (B1) with respect to a longitudinal direction of the cartridge B (B1), the guides 140R1 and 140R2 are provided. Further, at the other longitudinal end of the cartridge B (B1), the guides 140L1 and 140L2 are
25 provided. The user holds the cartridge B and inserts the guides 140R1 and 140R2 into the guide 130R1 provided to the rotary C. Similarly, the user inserts

the guides 140L1 and 140L2 into the guide 130L1 provided to the rotary C. In this way, the cartridge B is detachably mounted to the accommodating portion 130A provided to the rotary C by the user. That is, the cartridge B is guided by the above-described guides and is mounted to and demounted from the accommodating portion 130A with respect to a direction crossing the longitudinal direction of the cartridge B (developing roller 110). The cartridge B is mounted in a direction in which the longitudinal direction intersects a rotational direction X4 of the rotary C. Therefore, the cartridge B (coupling) provided at one longitudinal end of the cartridge B is moved in a direction substantially perpendicular to the driving shaft 180 by rotation of the rotary C. The cartridge B mounted to the rotary C is liable to rotate about arcuate guides 140R1 and 140L1 when a rotating force is transmitted from the apparatus main assembly A to the cartridge B. However, elongated guides 140R2 and 140L2 contact inner surfaces of grooves of the guides 130R1 and 130 L1, so that the cartridge B is positional with respect to the rotary C. That is, the cartridge B is detachably accommodated in the accommodating portion 130A.

Similarly, the cartridge B (B2) is guided by the guides 130R2 and 130L2 provided to the rotary C and detachably mounted to the accommodating portion

130A. The cartridge B (B3) is guided by the guides 130R3 and 130L3 provided to the rotary C and detachably mounted to the accommodating portion 130A. The cartridge B (B4) is guided by the guides 130R4 and
5 130L4 provided to the rotary C and detachably mounted to the accommodating portion 130A.

That is, the cartridge B is detachably accommodated by the user in the accommodating portion 130A provided to the rotary C.

10 Figure 17 shows a state in which the developing cartridge B is mounted in the apparatus main assembly 4 (rotary C).

Each of the developing cartridges B is positioned with respect to the rotary C and is rotated
15 by rotation of the rotary C. At this time, the developing cartridge B is fixed to the rotary C by an urging spring, a lock, or the like (not shown) so that a position of the developing cartridge B is not deviated by the rotation of the rotary C.

20 To the other rotary side plate 54L, a driving mechanism for rotating the developing roller (not shown) is provided. That is, a developing device driving gear 181 engages with a pinion 65 fixed to a motor shaft of the motor 64. When the motor starts
25 rotation, a rotating force is transmitted to the gear 181. The driving shaft 180 coaxially disposed with the gear 181 starts rotation. As a result, the rotating

force of the driving shaft 180 is transmitted to the developing roller 110 and the like through the coupling 150. Incidentally, in this embodiment, the driving shaft 180 has started rotation before the engagement of the coupling 150. However, timing of the start of rotation of the driving shaft 180 can be appropriately selectable.

The cartridge B rotates together with the pair of rotary flanges 50L and 50R. That is, the rotary C stops its rotation when it is rotated a predetermined angle. As a result, the cartridge B is positioned at a position (developing position) opposite to the photosensitive drum 107 provided to the apparatus main assembly A. The coupling 150 engages with the driving shaft 180 substantially simultaneously with the positioning and stop of the cartridge B. That is, a recess 1502 covers an end of an end portion 180b of the driving shaft 180.

The driving shaft 180 has the substantially same constitution as the above-described developing shaft. That is, the driving shaft 180 includes a spherical end portion 180b and a pin 182 penetrating an almost center of a principal portion 180a of its cylindrical shape. By this pin 182, a rotating force (driving force) is transmitted to the cartridge B through the coupling 150.

To the rotary C, the four color cartridges B

are mounted. Here, pressure application of the cartridges B to the photosensitive drum 107 is performed in the following manner.

As described above, the flanges 50L and 50R are rotatably supported by the rotary side plates 54L and 54R. The rotary side plates 54L and 54R at both ends are positioned and fixed to side plates (not shown of the apparatus main assembly A through a swingable shaft 60 rotatably disposed above the rotary side plates 54L and 54R. In other words, the cartridge B, the rotary flanges 50, and the rotary side plates 54 are integrally swung about the swingable shaft 60. That is, integral swinging movement of the cartridge B and the rotary C is performed. As a result, the cartridge B is pressed against or separated from the photosensitive drum 107.

This pressing and separating operation performed by pressing up a rotary stay 66 disposed between the rotary side plates 54L and 54R by rotation of a cam (not shown).

Further, as described with reference to Figure 15, the driving shaft 180 is positioned and mounted at a predetermined position of the apparatus main assembly A with respect to a radial direction and an axial substantially. Further, the cartridge B is also positioned at a predetermined position of the apparatus main assembly A by stop of the rotation of

the rotary C. These positioned driving shaft 180 and
cartridge B are connected by the coupling 150. The
coupling 150 is swingable (pivotable, movable) with
respect to the cartridge B (frame). Accordingly, even
5 between the driving shaft 180 positioned at the
predetermined position and the cartridge B positioned
at the predetermined position, the coupling 150 is
capable of transmitting the rotating force smoothly.
That is, even when there is some shaft (axis)
10 deviation between the driving shaft 180 and the
cartridge 150, the coupling 150 can smoothly transmit
the rotating force.

This is one of remarkable effects of the
embodiment of the coupling to which the present
15 invention is applied.

(8) Switching constitution of developing cartridge
(developing device)

At each of the outer peripheral surfaces of
the flanges 50L and 50R, a gear 50a is integrally
20 provided as shown in Figures 15 to 17. A pair of idler
gears 59L and 59R engaged with these gears 50a is
disposed at both longitudinal end portions. These
idler gears 59L and 59R are connected by the swingable
shaft 60. When the flange 50L disposed at one of the
25 longitudinal ends is rotated, the other flange 50R is
rotated in phase through the gears 59L and 59R. By
employing such a driving constitution, during the

rotation of the rotary C or the rotation of the developing roller 110, torsion of either one of the flanges 50L and 50R is prevented.

With the gears 59L and 59R connected to the
5 swinging center of the rotary side plates 54L and 54R, i.e., the swingable shaft 60, a rotary driving gear 65 engages. This gear 65 is connected to the motor 61. To a rotating shaft of the motor 61, an encoder 62 is mounted. The encoder 62 detects an amount of rotation
10 of the motor 61 and controls the number of rotation. Further, at an outer peripheral surface of one flange 50L, a flag 57 projected from the flange 50L in a radial direction is provided (Figure 16). The flange 50L and the flag 57 are rotated so as to pass through
15 a photo-interruptor 58 fixed to the side plate 58. By detecting blocking of the photo-interruptor with the flag 57, the rotary C is controlled so as to rotate every predetermined angle. That is, after the rotary C rotates a predetermined angle from the time when the
20 flag 57 blocks the photo-interruptor, the first developing cartridge stops at a position opposite to the photosensitive drum 107. The rotary C is further rotated a predetermined angle in one direction and thereafter the second developing cartridge stops at a
25 position opposite to the photosensitive drum 107. By repeating this operation four times in total (stops of the four color developing cartridges), a color image

is formed.

That is, the cartridge B is moved in a direction perpendicular to the axial line L3 of the driving shaft 180 by the rotate of the rotary C in one direction in a state in which the cartridge B is mounted to the rotary C.

At an upper surface of the apparatus main assembly A, an opening for mounting and demounting the developing cartridge B by the user and an openable/closable cover 40 (Figure 4) for covering the opening are provided. Further, a door switch (not shown) for detecting the open/close of the cover 40 is provided. A rotation operation of the rotary C is started during electric power on and when the cover 40 is closed (when the door switch is turned on).

(9) Positioning constitution of developing cartridge (developing device) during switching operation

Operations of the rotary C and the cartridge B will be described step by step with reference to Figures 18 to 21. For ease of description, only one cartridge in the rotary is shown.

First, in a state shown in Figure 18, the cartridge B does not reach a predetermined position (the coupling member 150 is located at a pre-rotation angular position). When the rotary C (is revolved in a direction of X4, the flag 57 partially projected from the outer peripheral surface of the rotary flange 50

described above reaches the photo-interruptor 58, so that the rotary C stops at a predetermined position (a state shown in Figure 19). At this time, the driving shaft 180 and the coupling 150 of the cartridge B are connected to each other (the coupling member 150 is located at a rotating force transmitting angular position). The developing roller 110 is placed in a rotatable state. In this embodiment, the driving shaft 180 has already been rotated in a state in which the coupling 150 starts engagement with the driving shaft 180. For this reason, the developing roller 110 is rotated. However, in the case where the driving shaft 180 is stopped in a state in which the coupling 150 is engaged with the driving shaft 180, the coupling 150 waits in the rotatable state. The engagement (connection) of the coupling 150 with the driving shaft 180 will be described later in detail.

Then, as described above, the cam (not shown) is actuated to contact the rotary stay 66, so that the rotary C is moved counterclockwisely about the swingable shaft 60. That is the developing roller 110 contacts the photosensitive drum 107 by being moved in an X1 direction (a state of Figure 20). Then, a predetermined image forming operation is performed.

When the image forming operation is completed, the rotary C is rotated in a clockwise direction about the swingable shaft 60 by a force of a spring (not

shown). Thus, the rotary C is restored to the state shown in Figure 19. That is, the developing roller 110 is moved apart from the photosensitive drum 107 (the coupling member 150 is located at a disengagement
5 angular position).

Then, the rotary C is rotated about the central shaft 51 in the X4 direction so that a subsequent cartridge B can reach the developing position (a state of Figure 21). At this time, the
10 connection between the driving shaft 180 and the coupling 150 is released. That is, the coupling 150 is disconnected from the driving shaft 180. The operation at this time will be specifically described later.

The above-described operations from the
15 operation described with reference to Figure 18 to the operation described with reference to Figure 21 are repeated four times in total for four colors, so that color image formation is effected.

(10) Engaging operation / Rotational force
20 transmission / Disengaging operation, of the coupling.

As has been described in the foregoing, immediately before the cartridge B stops at the predetermined position of the apparatus main assembly A, or substantially simultaneously therewith, the
25 coupling 150 is engaged with the drive shaft 180. (From Figure 18 to Figure 19). And, when the cartridge B moves from the predetermined position of the

apparatus main assembly after the rotation during the predetermined period, the coupling 150 is disengaged from the drive shaft 180 (from Figure 20 to Figure 21).

5 Referring to Figure 22-Figure 25, the description will be made with respect to the engaging operation, the rotational force transmitting operation and the disengaging operation of the coupling. Figure 22 is a longitudinal sectional view illustrating the
10 drive shaft, the coupling, and the development shaft. Figure 23 is a longitudinal sectional view illustrating the phase difference among the drive shaft, the coupling, and the development shaft. Figure 25 is a longitudinal sectional view illustrating the
15 drive shaft, the coupling, and the development shaft.

In the process in which the cartridge B moves to the developing position by the rotation of the rotary C, the coupling 150 is positioned at the pre-engagement angular position. More particularly, the
20 axis L2 of the coupling is beforehand inclined relative to the axis L1 of the development shaft 153 so that the driven portion 150a positions downstream of the rotary rotational direction X4. By this inclination of the coupling 150, a downstream free end
25 position 150A1 of the rotary C with respect to the rotational direction X4 thereof is positioned at the development shaft 153 side beyond a drive shaft free-

end 180b3 with respect to the direction of the axis L1. In addition, an upstream free end position 150A2 with respect to the direction X4 is positioned at the pin 182 side beyond the drive shaft free-end 180b3 in the direction of the axis L1 (Figure 22 (a), (b)). Here, the free end position is the position nearest to the drive shaft with respect to the direction of the axis L2 of the driven portion 150a of the coupling 150 shown in Figure 6 (a) and (c), and it is the remotest position from the axis L2. In other words, it is an edge line of the driven portion 150a of the coupling 150, or an edge line of the driven projection 150d depending on the rotation phase of the coupling (150A in Figure 6 (a) and (c)).

First, the downstream free end position 150A1 with respect to the rotary rotational direction (X4) passes by the shaft free-end 180b3. And, after the coupling 150 passes the drive shaft 180, the receiving surface 150f or the projection 150d of conical shape of the coupling 150 contacts to the free end portion 180b or the pin 182 of the drive shaft 180. And, it inclines in response to the rotation of the rotary C so that the axis L2 becomes parallel to the axis L1 (Figure 22 (c)). And, finally, the position of the cartridge B is determined relative to the apparatus main assembly A. More particularly, the rotary C stops. Under the present circumstances, the drive shaft 180

and the development shaft 153 are substantially co-axial with each other. More particularly, the coupling 150 is moved from the pre-engagement angular position to the rotational force transmitting angular position so as to permit the free end position 150A1 thereof to circumvent the drive shaft 180 (pivoting and swinging). And, the coupling 150 is inclined from the pre-engagement angular position toward the rotational force transmitting angular position where the axis L2 is substantially co-axial with the axis L1. And, the coupling 150 and the drive shaft 180 are engaged with each other (Figure 22 (d)). More particularly, the recess 150z covers the free end portion 180b. By this, the rotational force is enabled to be stably transmitted from the drive shaft 180 to the coupling 150. In addition, at this time, the pin 152 is in the opening 150g (Figure 6 (b)), and the pin 182 is in the entrance portion 150k.

In this embodiment, when the coupling 150 starts the engagement with the drive shaft 180, the drive shaft 180 is already rotating. For this reason, the coupling 150 begins the rotation immediately. However, when the drive shaft 180 is at rest at the time of the engagement with the drive shaft 180 of the coupling 150, the coupling member 150 stands by with the rotatable state, when the pin 182 is present in the entrance portion 150k.

As has been described hereinbefore, according to this embodiment, the coupling 150 is pivotable relative to the axis L1. Therefore, the coupling 150 can be engaged relative to the drive shaft 180 correspondingly to the rotation of the rotary C by the coupling 150 per se inclining, without interfering with the drive shaft 180 (coupling).

Furthermore, the engaging operation of the coupling 150 described above is possible regardless of the phase difference between the drive shaft 180 and the coupling 150. Referring to Figure 14 and Figure 23, the description will be made as to the phase difference between the coupling and the drive shaft. Figure 23 illustrates the phases of the coupling and the drive shaft. In Figure 23 (a), the pin 182 and the driving shaft receiving surface 150f of the coupling 150 oppose relative to each other in the upstream with respect to the rotational direction X4 of the rotary. In Figure 23 (b), the pin 182 and the projection 150d of the coupling 150 oppose relative to each other. In Figure 23 (c), the free end portion 180b of the drive shaft and the projection 150d of the coupling 150 oppose relative to each other. In Figure 23 (d), the free end portion 180b and the receiving surface 150f of the coupling oppose relative to each other. As shown in Figure 14, the coupling 150 is mounted pivotably in all the directions relative to the

development shaft 153. For this reason, as shown in Figure 23, the coupling 150 is pivotable in the mounting direction X4 irrespective of the phase of the development shaft 153 with respect to the rotational direction X4. In addition, the downstream free end position 150A1 is positioned in the developing roller 110 side from the drive shaft free-end 180b3 in the rotational direction not related irrespective of the phase difference between the drive shaft 180 and the coupling 150. In addition, the inclination angle of the coupling 150 is set so that the upstream free end position 150A2 positions in the pin 182 side beyond the drive shaft free-end 180b3 in the rotational direction X4. With such a setting, the downstream free end position 150A1 in the rotational direction X4 passes by the drive shaft free-end 180b3 in response to the rotating operation of the rotary C. And, in the case of Figure 23 (a), the driving shaft receiving surface 150f contacts to the pin 182. In the case of Figure 23 (b), the projection 150d contacts to the pin 182. In the case of Figure 23 (c), the projection 150d contacts to the free end portion 180b. In the case of Figure 23 (d), the receiving surface 150f contacts to the free end portion 180b. In addition, the axis L2 approaches to the position in parallel with the axis L1 by the contact force (urging force) produced when the rotary C rotates, and they engage with each other

(coupling). For this reason, irrespective of the phase difference between the drive shaft 180 and the coupling 150 or between the coupling 150 and the development shaft 153, they can engage with each other.

5 Referring to Figure 24, the rotational force transmitting operation in the case of the rotation of the developing roller 110 will be described. The drive shaft 180 rotates together with the gear (helical gear) 181 in the direction of X8 in the Figure by the rotational force received from the motor 64. And, the
10 pins 182 integral with the drive shaft 180 contact to any of the rotational force receiving surfaces 150e1-150e4 of the coupling 150. By this, the coupling 150 rotates. The coupling 150 further rotates. By this,
15 the rotational force transmitting surface 150h 1 or 150h2 of the coupling 150 contacts to the pin 155 integral with the development shaft 153. Then, the rotational force of the drive shaft 180 rotates the developing roller 110 through the coupling 150 and the
20 development shaft 153.

In addition, the free end portion 153b of the development shaft 153 is contacted to the receiving surface 150i. The free end portion 180b of the drive shaft 180 is contacted to the receiving surface 150f.
25 By this, the coupling 150 is positioned correctly (Figure 22d). More particularly, the coupling 150 is positioned to the drive shaft 180 by the recess 150z

covering the free end portion 180. At this time, even if the axis L3 and the axis L1 are somewhat non-coaxial with each other, the coupling 150 can rotate without applying the large load to the development shaft 153 and the drive shaft 180 by the small inclination of the coupling 150. For this reason, even if the drive shaft 180 and the development shaft 153 deviate from each other by slight position deviation of the cartridge B due to the rotation of the rotary C, the coupling 150 can transmit the rotational force smoothly.

This is one of the remarkable effects according to an embodiment of the coupling of the present invention.

Referring to Figure 25, the description will be made about the disengaging operation of the coupling 150 from the drive shaft 180 in response to the movement of the cartridge B from the predetermined position (developing position) by the rotary C rotating in the one direction.

First, the position of each of the pin 182 at the time of the cartridge (B) moving from the predetermined position will be described. After the image formation finishes, as will be apparent from the foregoing description, the pin 182 is positioned at any two of the entering or entrance portions 150k1-150k4 (Figure 6). And, the pin 155 is positioned in

the opening 150g1 or 150g2.

The description will be made with respect to the operation of disengaging the coupling 150 from the drive shaft 180 in interrelation with the operation of switching to the next developing cartridge B after the image forming operation using the cartridge is completed.

In the state where the rotation for the development shaft 153 has stopped, the axis L2 is substantially co-axial relative to the axis L1 in the coupling 150 (rotational force transmitting angular position). And, the development shaft 153 moves in the dismounting direction X6 with the cartridge (B), and the receiving surface 150f or the projection 150d in the upstream with respect to the rotational direction of the rotary is brought into contact to the free end portion 180b of the drive shaft 180 or the pin 182 (Figure 25a). And, the axis L2 begins to incline toward the upstream with respect to the rotational direction X4 (Figure 25 (b)). This direction of inclination is the opposite from that of the inclination of the coupling 150 at the time of the engagement of the coupling 150 with the drive shaft 180, with respect to the development axis 153. It moves, while the upstream free end portion 150A2 with respect to the rotational direction X4 is kept in contact with the free end portion 180b by the

rotational operation of the rotary C. And, in the axis L2, the upstream free end portion 150 A3 inclines to the free end 180b3 of the drive shaft (Figure 25 (c)). And, in this state, the coupling 150 is passed
5 by the drive shaft 180, contacting to the free end 180b3 (Figure 25 (d)).

Thus, the coupling 150 moves from the rotation of for transmitting angular position to the disengagement of angular position, so that a part (upstream free-end
10 portion 150A2) of the coupling 150 positioned upstream of the drive shaft 180 with respect to the rotational direction X4 is permitted to circumvent the drive shaft 180. Therefore, the cartridge B moves in accordance with the rotation of the rotary C to the
15 position of shown in Figure 21. In addition, before the completion of the one-full rotation of the rotary C, the coupling 150 (the axis L1) inclines toward downstream with respect to a rotational direction X4 by an unshown means. In other words, the coupling 150
20 moves from the disengagement angular position to the pre-engagement angular position. By this, after the rotary C completes its one-full rotation, the coupling 150 is in the state engageable with the drive shaft 180.

25 As will be apparent from the foregoing description, the angle of the pre-engagement angular position the coupling 150 relative to the axis L1 is

larger than the angle of the disengaging angular position. This is because it is preferable that the pre-engagement angular position is set beforehand such that during the engagement operation of the coupling, 5 the distance between the upstream free-end the position 150A1 with respect to the rotational direction X4 and the free-end 180b3 of the drive shaft is relatively longer (Figure 22b). This is done in consideration of the dimensional tolerance of the 10 parts. On the contrary, at the time of the coupling disengagement, the axis L2 inclines in interrelation with the rotation of the rotary C position. Therefore, the downstream pre-end portion 150A2 of the coupling 150 A3 moves along the free end portion 180b3 the 15 drive shaft. In other words, the downstream free-end position 180A2 with respect to the rotational direction X4 and the free end portion 180b3 are substantially aligned with each other in a direction of the axis L1(Figure 25 (c)). In addition, when the 20 coupling 150 disengages from the drive shaft 180, the disengagement is possible irrespective of the phase difference between the coupling 150 and the pin 182.

As shown in Figure 22, in the rotational force transmitting angular position of the coupling 150, the 25 angle relative to the axis L1 of the coupling 150 is such that in the state where the cartridge (B) is mounted to the predetermined position of the apparatus

main assembly (A) (the position opposed to the photosensitive drum), the coupling 150 receives the transmission of the rotational force from the drive shaft 180, and it rotates.

5 In addition, the pre-engagement angular position of the coupling 150 is the angular position immediately before the coupling 150 is brought into engagement with the drive shaft 180 in the process of mounting operation to the predetermined position in accordance
10 with the rotation of the rotary C.

In addition, the disengaging angular position of the coupling 150 is the angular position relative to the axis L1 of the coupling 150 at the time of the disengagement of the cartridge (B) from the drive
15 shaft 180, in the process of the cartridge B moving from the predetermined position in accordance with the rotation of the rotary C.

In the pre-engagement angular position or the disengaging angular position, the angles β_2 and
20 β_3 which the axis L2 makes with the axis L1 are larger than the angle β_1 which the axis L2 makes with the axis L1 in the rotational force transmitting angular position. As for the angle θ_1 , 0 degree is preferable. However, in this embodiment, if the
25 angle β_1 is less than about 15 degrees, the smooth transmission of the rotational force is accomplished. This is also one of the effects of this embodiment. As

for the angles β_2 and β_3 , the range of about 20 - 60 degrees is preferable.

As has been described hereinbefore, the coupling is pivotably mounted to the axis L1. And, the
5 coupling 150 inclines in accordance with the rotation of the rotary C without interfering with the drive shaft.

Here, according to the above-described embodiment of the present invention, even if the
10 cartridge B (developing roller 110) moves in response to the movement of the rotary C in one direction which is substantially perpendicular to the direction of the axis L3 of the drive shaft 180, the drum coupling member 150 can accomplish the coupling (engagement)
15 and the disengagement relative to the drive shaft 180. This is because the drum coupling member 150 according to an embodiment of the present invention can take the rotational force transmitting angular position, the pre-engagement angular position, and the disengaging
20 angular position.

Here, as has been described hereinbefore, the rotational force transmitting angular position is the angular position of the drum coupling member 150 for transmitting the rotational force for rotating the
25 developing roller 110 to the developing roller 110.

The pre-engagement angular position is the position inclined from the rotational force

transmitting angular position, and which is the angular position of the drum coupling member 150 before the drum coupling member 150 engages with the rotational force applying portion.

5 The disengaging angular position is the position which is inclined away from the pre-engagement angular position from the rotational force transmitting angular position and which is the angular position of the drum coupling member 150 for the drum
10 coupling member 150 to disengage from the drive shaft 180.

 In the above described description, at the time of the disengagement, the upstream receiving surface 150f or the upstream projection 150d contacts
15 with the free end portion 180b of the drive shaft 180 in interrelation with the rotation of the rotary C. By this, it has been described that the axis L2 inclines toward the upstream in the rotational direction X4. However, in this embodiment, this is not inevitable.
20 For example, a toggle spring (elastic material) is provided adjacent to the rotary fulcrum of the coupling. And, the structure is such that at the time of the coupling engagement, the urging force produces toward the downstream in the rotational direction X4
25 relative to the coupling. At the time of the disengagement of the coupling, corresponding to the rotation of the rotary C, the urging force is produced

toward the upstream in the rotational direction X4 to the coupling contrarily to the case of the engagement by the function of this toggle spring. Therefore, at the time of the coupling disengagement, the upstream
5 receiving surface 150f or the projection 150d in the rotational direction X4, and the free end portion 180b of the drive shaft 180 are not contacted to each other, and the coupling disengages from the drive shaft. In other words, as long as the axis L2 of the coupling
10 150 inclines in response to the rotation of the rotary C, any means is usable. In addition, by the time immediately before the coupling 150 engages with the drive shaft 180, the coupling is inclined so that the driven portion 150a of the coupling faces toward the
15 downstream in the rotational direction X4. In other words, the coupling is beforehand placed in the state of the pre-engagement angular position. For this purpose, any means in Embodiment 2 et seqq is usable.

Here, referring to Figure 26, the description
20 will be made about reduction of the time which the image formation (development) requires in the present embodiment. Figure 26 is a timing chart showing the rotation of the developing roller and so on.

Here, with reference to Figure 26, reduction
25 in time required for image formation (development) in this embodiment will be described. Figure 26 is a timing chart for illustrating rotation of the

developing roller and the like.

In Figure 26, timings of rotation and stop of the developing roller from a state in which the developing apparatus (cartridge) is in a home position until the developing roller receives an image formation start signal to effect development for first color (yellow image formation) and development for a second color (magenta image formation). With respect to subsequent developments for third and fourth colors (cyan image formation and black image formation), illustration is omitted due to redundant explanation.

In this embodiment, as described above, the engaging operation between the driving shaft 180 and the coupling 150 is completed during the rotation of the rotary C or immediately after the stop of the rotation of the rotary C. During or immediately after the stop of the rotation of the rotary C, the engaging operation of the coupling 150 with the driving shaft 180 is completed. Then, the developing roller 110 is placed in a rotatable state or is rotated.

That is, in the case where the driving shaft 180 has already been rotated before the coupling 150 goes into an engaging operation with the driving shaft 180, the coupling 150 starts rotation simultaneously with the engagement with the driving shaft 180. Then, the developing roller 110 starts rotation. Further, in the case where the driving shaft 180 is stopped, the

coupling 150 is stopped without being rotated even when the engagement of the coupling 150 with the driving shaft 180 is completed. When the driving shaft 180 starts rotation, the coupling 150 starts rotation.
5 Then, the developing roller 110 starts rotation.

In either case, according to this embodiment, a main assembly-side rotating force transmitting member (e.g., the main assembly-side coupling) is not required to be moved forward and back in the axial
10 line direction.

In this embodiment, the driving shaft 180 has already been rotated before the coupling 150 goes into the engaging operation with the driving shaft 180. Accordingly, image formation can be started quickly.
15 Therefore, compared with the case where the driving shaft 180 is stopped, the time required for image formation can be further reduced.

Further, in this embodiment, in the rotating state of the driving shaft 180, the coupling 150 can
20 be disconnected from the driving shaft 180.

Accordingly, in this embodiment, the driving shaft 180 may also not be rotated or stopped in order that the coupling 150 is engaged with or disengaged from the driving shaft.

25 That is, according to the coupling 150 in this embodiment, the coupling 150 can be engaged with and disengaged from the driving shaft 180, irrespective of

the rotation or stop of the driving shaft 180. This is also one of the remarkable effects of this embodiment.

Thereafter, steps of rotary (developing roller) contact, yellow image formation, rotary
5 (developing roller) separation, and developing roller rotation stop are performed in this order.

Simultaneously with the start of rotation of the rotary, a disengaging operation of the coupling of the cartridge from the driving shaft of the apparatus main
10 assembly is performed to prepare for a developing operation for the second color.

That is, in this embodiment, the engaging and disengaging operation of the coupling can be performed in interrelation with the rotation of the rotary.
15 Accordingly, it is possible to shorten a necessary time interval between the first color development and the second color development. Similarly, time intervals between the second color development and the third color development, between the third color
20 development and the fourth color development, between the home position and the first color development, and between the fourth color development and the home position can also be reduced. Accordingly, a time
25 required for obtaining a color image on a sheet can be reduced. This is also one of the remarkable effects of this embodiment.

Referring to Figure 27 and Figure 28, a modified example of the development shaft will be described. Figure 27 is a perspective view of members around the development shaft. Figure 28 illustrates a characteristic portion in Figure 27.

In the foregoing description, the free end of the development shaft is a spherical surface, and the coupling is contacted to the spherical surface thereof. However, as shown in Figure 27 (a) and 28 (a), the free end 1153b of the development shaft 1153 may be planate. An edge portion 1153c of a peripheral surface thereof contacts to the coupling 150 to rotate the coupling 150. Even with such a structure, the axis L2 is assuredly pivotable relative to the axis L1. In addition, the processing to the spherical surface is unnecessary. For this reason, the cost can be reduced.

In the foregoing description, another drive transmission pin is fixed to the development shaft. However, as shown in Figure 27 (b) and 28 (b), it may be separate member from the elongated development shaft. A first development shaft 1253A is a member for supporting a rubber portion of the developing roller (unshown). In addition, a second development shaft 1253B is provided co-axially with the first development shaft 1253A, and has integrally a rib for the drive transmissions for engaging with the coupling 150 1253Bc. In this case, geometrical latitude is

enhanced by an integral moldings using injection molding and so on. For this reason, the rib part 1253Bc can be enlarged. Therefore, the area of the drive transmitting portion 1253Bd can be increased.

5 Even if it is a development shaft made of resin material, it can transmit the torque assuredly. In the Figure, when the coupling 150 rotates in the direction of X8, the drive transmission surface 150h of the coupling contacts to the drive transmitting portion

10 1253Bd of the second drive shaft. When the contact area is wide at this time, a stress applied on the rib 1253Bc is small. Therefore, the liability of the damage of the coupling and so on is mitigable. In addition, the first development shaft may be the

15 simple metal shaft, and the second development shaft may be an integrally molded product of the resin material. In this case, the cost reduction is accomplished.

As shown in Figure 27 (c) and 28 (c), the

20 opposite ends 1355a1, 1355a2 of the rotational force transmitting pin (rotational force receiving portion) 1355 are fixed by press-fitting and so on beforehand into the drive transmission holes 1350g 1 or 1350g2 of the coupling 1350. Thereafter, the development shaft

25 1353 which has the free end portion 1353c1, 1353c2 formed into the shape of a slot may be inserted. At this time, it is preferable that, the engaging portion

1355b of the pin 1355 relative to the free end portion (unshown) of the development shaft 1353 is formed into a spherical shape so that the coupling 1350 is pivotable. By fixing the pin 1355 in this manner
5 beforehand, it is not necessary to increase the size of the standby hole 1350g of the coupling 1350 more than needed. Therefore, the rigidity of the coupling is enhanced.

In addition, in the foregoing description, the
10 inclination of the axis of the coupling follows the development shaft free-end. However, as shown in Figures 27 (d), 27 (e), and 28 (d), it may follow the contact surface 1457a of the bearing member 1457 co-axially with the development shaft 1453. In this case,
15 the free end surface 1453b of the development shaft 1453 is at the level comparable as the end surface of the bearing member. And, the rotational force transmitting pin (rotational force receiving portion) 1453c projected from the free end surface 1453b is
20 inserted into the inside of the opening 1450g of the coupling 1450. The rotational force is transmitted by this pin 1453c contacting to the rotational force transmitting surface (rotational force transmitting portion) 1450h of the coupling. In this manner, the
25 contact surface 1457a at the time of the inclination of the coupling 1450 is provided on the supporting member 1457. By this, there is no necessity of

processing the development shaft directly, and the machining cost can be reduced.

In addition, similarly, the spherical surface at the free end may be a molded resin part which is a
5 separate member. In this case, the machining cost of the shaft can be reduced. This is because the configuration of the shaft processed by cutting and so on can be simplified. In addition, a range of the spherical surface of the shaft free-end may be
10 narrowed, and the machining cost may be reduced by limiting the range which requires highly precise processing.

Referring to Figure 29, the description will be made about a modified example of the drive shaft.
15 Figure 29 is a perspective view of drive shaft and development driving gear.

Similarly to the development shaft, it is possible to form the free end of the drive shaft 1180 into a flat surface 1180b as shown in Figure 29 (a).
20 By this, the configuration of the shaft is simple, and the machining cost can be reduced. A pin (rotational force applying portion) is designated by the reference numeral 1182.

In addition, similarly to the development
25 shaft, the drive transmitting portion 1280c1, 1280c2 may be integrally molded with the drive shaft 1280 as shown in Figure 29 (b). When the drive shaft is a

molded resin part, the drive transmitting portion can be molded as an integral part. Therefore, the cost reduction can be accomplished.

As shown in Figure 29 (c), in order to narrow
5 the range of the free end portion 1380b of the drive shaft 1380, an outer diameter of the shaft free end 1380c may be decreased than the outer diameter of a main part 1380a. The free end portion 1380b requires
10 degree of accuracy, in order to determine the position of the coupling (unshown) as described above. For this reason, the surface which requires high degree of accuracy can be reduced by limiting the spherical range only to the contact portion of the coupling. By
15 this, the machining cost can be lowered. In addition, the unnecessary free end of the spherical surface may be cut similarly.

In addition, in the foregoing embodiments, in the direction of the axis L1, there is no play between the developing roller and the apparatus main assembly.
20 Here, the positioning method of the developing roller will be described with respect to the direction of the axis L1 as to, when play exists. In other words, the coupling 1550 is provided with a tapered surface 1550e, 1550h. As for the drive shaft, a force is produced in
25 a thrust direction by the rotation. By this, the coupling and the developing roller are positioned with respect to the direction of the axis L1. Referring to

Figure 30 and Figure 31, this will be described in detail. Figure 30 is a perspective view and a top plan view of the coupling alone. Figure 31 is an exploded perspective view of the drive shaft, the development shaft, and the coupling.

As shown in Figure 30 (b), the rotational force receiving surface 1550e forms an angle α relative to the axis L2. When the drive shaft 180 rotates in the T1 direction, the pin 182 and the receiving surface 1550e contact to each other. Then, a component force is applied in the T2 direction to the coupling 1550, and the coupling is moved in the T2 direction. In more detail, the coupling 1550 moves until the driving shaft receiving surface 1550f (Figure 31a) of the coupling 1550 contacts to the free end 180b of the drive shaft 180. By this, the position with respect to the direction of the axis L2 of the coupling 1550 is determined. In addition, the free end 180b is a spherical surface, and the driving shaft receiving surface 1550f of the coupling 1550 is a conic surface. For this reason, in the direction perpendicular to the axis L2, the position of the driven portion 1550a of the coupling 1550 relative to the drive shaft 180 is determined.

In addition, as shown in Figure 30 (c), the rotational force transmitting surface (rotational force transmitting portion) 1550h forms the angle

alpha 6 relative to the axis L2. When the coupling 1550 rotates in the T1 direction, the transmitting surface 1550h and the pin 155 contact to each other. Then, a component force is applied in the T2 direction to the pin 155, and the pin is moved in the T2 direction. And, the development shaft 153 moves until the free end 153b of the development shaft 153 contacts to the development bearing surface 1550i (Figure 31b) of the coupling 1550. By this, the position of the development shaft 153 (developing roller) with respect to the direction of the axis L2 is determined.

In addition, the development bearing surface 1550i of the coupling 1550 is a conic surface, and the free end 153b of the development shaft 153 is the spherical surface. For this reason, with respect to the direction perpendicular to the axis L2, the position of the driving portion 1550b of the coupling 1550 relative to development shaft 153 is determined.

The taper angles alpha 5 and alpha 6 are selected so as to be sufficient for producing the force for moving the coupling and the developing roller in the thrust direction. And, the angles differ depending on the load. However, if other means for determining the position of the thrust direction is provided, the taper angles alpha 5 and alpha 6 may be small.

For this reason, as has been described hereinbefore, the coupling is provided with the taper for producing the retracting force in the direction of the axis L2, and with the conic surface for determining the position in the direction perpendicular to the axis L2. By this, the position in the direction of the axis L2 of the coupling and the position in the direction perpendicular to the axis can be determined simultaneously. In addition, further assured transmission of the rotational force can be accomplished. This will be described. When the rotational force receiving surface or the rotational force transmitting surface of the coupling is not given the taper angle which has been described above, the rotational force transmitting surface or the rotational force receiving surface of the coupling inclines due to influence and so on of dimensional tolerance, and the component force is produced in the direction (opposite direction to T2 of Figure 30) of the axis L2. By this, the contact between the rotational force receiving surface and the rotational force transmitting surface of the drive transmission pin and the coupling is disturbed. However, with the above described structure, such the problem is avoidable.

However, it is not inevitable that the coupling is provided with both such the retracting

taper and the positioning conic surface. For example, in place of the taper for pulling in the direction of the axis L2, a part for urging in the direction of the axis L2 may be added. From now on, as long as there is
5 no particular description, the case where both the tapered surface and the conic surface are formed will be described.

Referring to Figure 32, the description will be made about the means for regulating the direction
10 of the inclination of the coupling relative to the cartridge for the engagement between the coupling, and the drive shaft of the apparatus main assembly. Figure 32 is a side view illustrating a major part of the driving side of the cartridge, and Figure 33 is a
15 sectional view taken along S7-S7 of Figure 32.

Here, in order to regulate the inclining direction of the coupling 150 relative to the cartridge B, the supporting member (mounting member) 1557 is provided with a regulating portion 1557h 1 or
20 1557h2. This regulating portion 1557h 1 or 1557h2 is provided so that it becomes substantially parallel to the rotational direction X4 immediately before the coupling engages with the drive shaft 180. In addition, the intervals D7 thereof is slightly larger than outer
25 diameter of the driving portion 150b of the coupling 150 phi D6. By this, the coupling 150 is pivotable in the rotational direction X4. In addition, the coupling

is pivotable in all the directions relative to the development shaft. For this reason, irrespective of the phase of the development shaft, the coupling can be inclined in the regulated direction. Therefore, it becomes easy to insert the drive shaft (unshown) into the insertion opening 150m for the drive shaft of the coupling 150 much more assuredly. Therefore, they are more assuredly engageable.

In addition, in the foregoing description, the angle in the pre-engagement angular position of the coupling 150 relative to the axis L1 is larger than the angle of the disengaging angular position (Figure 22, Figure 25). However, this is not inevitable. Referring to Figure 34, the description will be made.

Figure 34 is a longitudinal sectional view for illustrating the mounting process of the coupling. As shown in Figure 35, in the state of (a) the mounting process of the coupling in the direction of the axis L1, the downstream free end position 1850A1 with respect to the rotational direction X4 is closer to the direction of the driving shaft 182 (the rotational force applying portion) than the drive shaft free end 180b3. In the state of (b), the free end position 1850A1 is contacted to the free end portion 180b. At this time, the free end position 1850A1 moves toward the development shaft 153 along the downstream free end portion 180b of the drive shaft 180 with respect

to the rotational direction X4 of the rotary. And, the free end position 1850A1 passes by the free end portion 180b3 of the drive shaft 180 at this position, the coupling 150 takes the pre-engagement angular position (Figure 34 (c)). And, finally the engagement between the coupling 1850 and the drive shaft 180 is established ((rotational force transmitting angular position) Figure 34 (d)). When the free end portion 1850A1 passes by the free end 180b3, the free end position 1850A1 is contacted to the free end 180b3, or is positioned in the development shaft (153) or developing roller side

An example of this embodiment will be described.

First, as shown in Figure 5, the shaft diameter of the development shaft 153 is $\Phi Z1$, the shaft diameter of the pin 155 is $\Phi Z2$, and the length is Z3. As shown in Figure 6 (d), (e) and (f), the maximum outer diameter of the driven portion 150a of the coupling 150 is $\Phi Z4$ the diameter of a phantom circle C1 (Figure 6(d)) which forms the inner ends of the projections 150d 1 or 150d 2 or 150d3, 150d4 is $\Phi Z5$, and the maximum outer diameter of the driving portion 150b is $\Phi Z6$. Referring to Figures 22 and 25, the angle formed between the coupling 150 and the conic drive shaft receiving surface 150f is $\alpha 2$, and

the angle formed between the coupling 150 and the shaft receiving surface 150i is α_1 . A shaft diameter of the drive shaft 180 is ΦZ_7 , the shaft diameter of the pin 182 is ΦZ_8 , and the length is Z_9). In addition, the angle relative to the axis L1 in the rotational force transmitting angular position is β_1 , the angle in the pre-engagement angular position is β_2 , and the angle in the disengaging angular position is β_3 . In this example,

10 $Z_1= 8\text{mm}; Z_2= 2\text{mm}; Z_3= 12\text{mm}; Z_4= 15\text{mm}; Z_5= 10\text{mm}; Z_6= 19\text{mm}; Z_7= 8\text{mm}; Z_8= 2\text{mm}; Z_9= 14\text{mm}; \alpha_1= 70 \text{ degrees}; \alpha_2= 120 \text{ degrees}; \beta_1= 0 \text{ degree}; \beta_2= 35 \text{ degrees}; \beta_3= 30 \text{ degrees}.$

It has been confirmed with these settings, the devices of this embodiment works satisfactorily. However, these settings do not limit the present invention.

20 [Embodiment 2]

Referring to Figure 36 - Figure 38, the second embodiment to which applied the present invention will be described.

In this embodiment, a means for inclining the axis of the coupling relative to the axis of the developing roller.

In the description of this embodiment, the

same reference numerals as in Embodiment 1 are assigned to the elements having the corresponding functions in this embodiment, and the detailed description thereof is omitted for simplicity. This
5 applies also about the other embodiment described in the below.

Figure 36 is a perspective view which illustrates a coupling locking member (this is
10 peculiar to the present embodiment) pasted on the supporting member. Figure 37 is an enlarged perspective view of a major part of the driving side of the cartridge. Figure 38 is a perspective view and a longitudinal sectional view which illustrate an
15 engaged state between the drive shaft and the coupling.

As shown in Figure 36, the supporting member 3157 has a space 3157b which surrounds a part of coupling. A coupling locking member 3159 as a
maintaining member for maintaining the inclination of
20 the coupling 3150 is pasted on a cylinder surface 3157i which constitutes the space thereof. As will be described hereinafter, this locking member 3159 is a member for maintaining temporarily the state where the
axis L2 inclines relative to the axis L1. In other
25 words, as shown in Figure 36, the flange portion 3150j of the coupling 3150 contacts to this locking member 3159. By this, the axis L2 maintains the state of

inclining toward the downstream with respect to the rotational direction (X4) of the cartridge relative to the axis L1. Therefore, as shown in Figure 46, the locking member 3159 is disposed on the upstream
5 cylinder surface 3157i of the bearing member 3157 with respect to the rotational direction X4. As the material of the locking member 3159, the material which has a relatively high coefficient of friction, such as the rubber and the elastomer, or the elastic
10 materials, such as the sponge and the flat spring, are suitable. This is because, the inclination of the axis L2 can be maintained by the frictional force, the elastic force, and so on.

Referring to Figure 38, the engaging operation
15 (a part of mounting and dismounting operation of the cartridge) for engaging the coupling 3150 with the drive shaft 180 will be described. Figures 38 (a1) and (b1) illustrate the state immediately before the engagement, and Figure 38 (a2) and (b2) illustrate the
20 state of the completion of the engagement.

As shown in Figure 38 (a1) and Figure 38 (b1), the axis L2 of the coupling 3150 inclines toward the downstream (retracted position) with respect to the rotational direction X4 relative to the axis L1
25 beforehand by the force of the locking member 3159 (pre-engagement angular position). By this inclination of the coupling 3150, by, in the direction of the axis

L1, the downstream (with respect to the mounting direction) free end portion 3150A1 is closer to the cartridge (developing roller) side than the drive shaft free end 180b3. And, the upstream (with respect to the mounting direction) free end portion 3150A2 is closer to the pin 182 than the free end 180b3 of the drive shaft 180. In addition, at this time, as has been described in the foregoing, the flange portion 3150j of the coupling 150 is contacted to the locking member 3159. And, the inclined state of the axis L2 is maintained by the frictional force thereof.

Thereafter, the cartridge B moves to the rotational direction X4. By this, the free end surface 180b or the free end of the pin 182 contacts to the driving shaft receiving surface 3150f of the coupling 3150. And, the axis L2 approaches to the direction in parallel with the axis L1 by the contact force (force revolving the rotary) thereof. At this time, the flange portion 3150j is departed from the locking member 3159, and becomes into the non-contact state.

And, finally, the axis L1 and the axis L2 are substantially co-axial with each other.

And, the coupling 3150 is in the waiting (stand-by) state for transmitting the rotational force (Figure 38 (a2), (b2)) (rotational force transmitting angular position).

Similarly to embodiment 1, the rotary C swings

about a swing center axis and contacts the developing roller 110 to the photosensitive drum 107. And, the rotational force of the motor 64 is transmitted to the coupling 3150, the pin 155, the development shaft 153, and the developing roller 110 through the drive shaft 180. The axis L2 is substantially co-axial with the axis L1 during the rotation. For this reason, the locking member 3159 is not contacted with the coupling 3150 and does not influence on the drive of the coupling 3150.

After the image formation finishes, the rotary C swings in the opposite direction and the developing roller 110 spaces from the photosensitive drum 107. And then, in order to carry out the image formation for the next color, the rotary C begins the revolution. In that case, the coupling 3150 disengages from the drive shaft 180. In other words, the coupling 3150 is moved to the disengaging angular position from the rotational force transmitting angular position. Since the operation in that case is the same as that of Embodiment 1 (Figure 25), the description is omitted for simplicity.

In addition, by the time the rotary C carries out one full revolution, the axis L2 of the coupling 3150 inclines toward the downstream in the rotational direction X4 by unshown means. In other words, the coupling 3150 is moved from the disengaging angular

position to the pre-engagement angular position by way of the rotational force transmitting angular position. By doing so, the flange portion 3150j contacts to the locking member 3159, and the inclined state of the
5 coupling is maintained again.

As has been described hereinbefore, the inclined state of the axis L2 is maintained by the locking member 3159 pasted on the supporting member 3157. By this, the engagement between the coupling and
10 the drive shaft is established much more assuredly.

In the present embodiment, the locking member 3159 is pasted at the upstreammost side of the inner surface 3157i of the supporting member with respect to the rotational direction X4. However, this is not
15 inevitable. For example, what is necessary is the position where the inclined state thereof can be maintained when the axis L2 is inclined.

The locking member 3159 has been described as contacting with the flange portion (Figure 38b1) 3150j
20 (Figure 38b1). However, the contact position may be the driven portion 3150a (Figure 38b1).

In this embodiment, although it has been described that the locking member is a separate member, this is not inevitable. For example, it may be molded
25 integrally with the supporting member 3157 (2 color molding, for example), and the supporting member 3157 may be directly contacted to the coupling 3150 in

place of the locking member 3159. Or, the surface of the coupling may be roughened for the increase of the coefficient of friction.

In addition, although it has been described
5 that the locking member 3159 is pasted on the development supporting member 3157, it may be anything if it is a member fixed on the cartridge B.

Embodiment 3:

10 Referring to Figure 39-Figure 42, a third embodiment of the present invention will be described.

The description will be made as to means for inclining the axis L2 relative to the axis L1.

As shown in Figure 39 (perspective view), a
15 coupling pressing member peculiar to the present embodiment is mounted to the supporting member. Figure 40 is a perspective view illustrating the coupling pressing member. Figure 41 is an enlarged perspective view of the major part of the driving side of the
20 cartridge. Figure 42 is a perspective view illustrating the engaging operation and a longitudinal sectional view of the coupling.

As shown in Figure 39, spring supporting portions 4157e1, 4157e2 are provided on the inner
25 surface 4157i of the supporting member (mounting member) 4157. In addition, the coil parts 4159b, 4159c of torsion coil springs (coupling urging members) 4159

are mounted to the supporting portions 4157e1, 4157e2. And, as shown in Figure 40, a contact portion 4159a of the urging member 4159 contacts to the driven portion 4150a side of a flange portion 4150j of the coupling 4150. The spring 4159 is twisted to produce an elastic force. By this, the axis L2 of the coupling 4150 is inclined relative to the axis L1 (Figure 41, pre-engagement angular position). The contact position of the urging member 4159 to the flange portion 4150j is set downstream of the center of the development shaft 153 with respect to the rotational direction X4. For this reason, the axis (L2) is inclined relative to the axis (L1) so that the driven portion 4150a side is directed to the downstream with respect to the rotational direction (X4).

In the present embodiment, although the torsion coil spring is used as the urging member (elastic material), this is not inevitable. The any means which can produce the elastic forces, such as for example, leaf springs, rubber, and sponge, is usable. However, in order to incline the axis L2, a certain amount of stroke is required. Therefore, a member which can provide the stroke is desirable.

In addition, the spring supporting portions 4157e1, 4157e2 of the supporting member 4157 and the coil parts 4159b, 4159c function as the retention rib for the coupling described with respect to Embodiment

1 (Figure 9, Figure 12).

Referring to Figure 42, the engaging operation (a part of rotating operation of the rotary) between the coupling 4150 and the drive shaft 180 will be
5 described. (a1) and (b1) in Figure 42 are views immediately before the engagement, and (a2) and (b2) in Figure 42 illustrate the state where the engagement has completed. (a3) and (b3) in Figure 42 are views in the state where the engagement has been released, and
10 (a4) and (b4) in Figure 42 are views in the state where the axis L2 inclines toward the downstream with respect to the rotational direction X4 again.

In the state (retreating position of the coupling 4150) of Figs. 42 (a1) and 42 (b1), the axis
15 L2 thereof is beforehand inclined toward the downstream with respect to the rotational direction X4 relative to the axis L1 (pre-engagement angular position). Thus, the coupling 4150 is inclined. By this, in the direction of the axis L1, the downstream
20 free end position 4150A1 with respect to the rotational direction X4 is positioned in the cartridge (developing roller) side beyond the drive shaft free-end 180b3. In addition, the upstream free end position 4150A2 with respect to the rotational direction X4 is
25 positioned beyond the pin 182 side from the drive shaft free-end 180b3. In other words, as has been described hereinbefore, the flange portion 4150j is

pressed by the urging member 4159. For this reason, the axis L2 is inclined relative to the axis L1 by the urging force.

Thereafter, the cartridge B moves in the rotational direction X4. By this, the free end surface 180b or the free end of the pin 182 contacts to the driving shaft receiving surface 4150f of the coupling 4150. And, the axis L2 approaches to the angle in parallel with the axis L1 by the contact force (force of rotating the rotary).

Simultaneously, the flange portion 4150j and the urging spring 4159 contact with each other. By this, the spring 4159 is twisted to increase the moment. Finally, the axis L1 and the axis L2 become substantially co-axial with each other, and the coupling 4150 is in the rotation latency state (Figure 42 (a2), (b2)). (rotational force transmitting angular position).

Similarly to embodiment 1, the rotational force is transmitted to the coupling 4150, the pin 155, the development shaft 153, and the developing roller 110 through the drive shaft 180 from the motor 64. The urging force of the urging member 4159 applies to the coupling 4150 at the time of the rotation. However, if the driving torque of the motor 64 has a sufficient margin, the coupling 4150 will rotate with high precision.

When the rotary further revolves, the coupling 4150 will separate from the drive shaft 180 as shown in Figure 42 (a3) and (b3). In other words, the free end spherical surface 180b of the drive shaft 180 pushes the driving shaft receiving surface 4150f of the coupling. By this, the axis L2 inclines toward the opposite direction (opposite direction from the rotational direction X4) with respect to the axis L1 (disengaging angular position). By doing so, the urging member 4159 is further twisted so that the urging force (elastic force) further increases. For this reason, after the coupling 4150 disengages from the drive shaft 180, the axis L2 is again inclined in the rotational direction X4 relative to the axis L1 by the urging force of the urging member 4159 (pre-engagement angular position, Figure 42 (a4), (b4)). By this, even if the means for inclining the axis L2 toward the pre-engagement angular position by the time the drive shaft 180 and the coupling 4150 are again coupled by the revolution of the rotary C with each other is not provided particularly, the drive shaft 180 and the coupling 4150 are connectable (engageable) with each other.

As has been described hereinbefore, the urging is effected by the urging member 4159 provided on the supporting member 4157. By this, the axis L2 is inclined relative to the axis L1. Therefore, the

inclined state of the coupling 4150 is maintained assuredly and the engagement (coupling) between the coupling 4150 and the drive shaft 180 is ensured.

The position of the urging member in the present embodiment is not restrictive. For example, it may be another position on the supporting member 4157, or may be a member other than such a member.

In addition, the urging direction of the urging member 4159 is the same as the direction of the axis L1, but if the axis L2 inclines in the predetermined direction, it may be any direction.

In addition, the energizing position of the urging member 4159 is the position of the flange portion 4150j, but if the axis L2 inclines toward the predetermined direction, it may be any position of the coupling.

Embodiment 4:

Referring to Figure 43-Figure 46, , the fourth embodiment of the present invention will be described.

The means for inclining the axis L2 with respect to the axis L1 will be described.

Figure 43 is an exploded perspective view illustrating the state before the assembly of the major members of the developing cartridge. Figure 44 is an enlarged side view of the driving side of the cartridge. Figure 45 is a longitudinal sectional view

which schematically illustrates the structure for the axis L2 to incline. Figure 46 is the drive shaft and a longitudinal sectional view illustrating the engaging operation between the coupling.

5 As shown in Figure 43 and Figure 45, a coupling locking member 5157k is provided on the supporting member (mounting member) 5157. When the supporting member 5157 is assembled in the direction of the axis L1, while a part of a locking surface 10 5157k1 of an of the locking member 5157k contacts with the inclined surface 5150m of the coupling 5150, the part engages with the upper surface 5150j1 of a flange portion 5150j. At this time, the flange portion 5150j is mounted with play (angle α 49) between locking 15 surface 5157k1 and circular column portion of the development shaft 153 153a. Even when the dimensional tolerances of the coupling 5150, the bearing member 5157, and the development shaft 153 vary, the flange portion 5150j1 can lock assuredly to the locking 20 portion 5157k1 of the bearing member 5157 by providing this play (angle α 49).

And, as shown in Figure 45 (a), the axis L2 is inclined so that the driven portion 5150a side faces the downstream with respect to the rotational 25 direction X4 relative to the axis L1. In addition, since the flange portion 5150j extends over the full-circumference, it can be mounted regardless of the

phase of the coupling 5150. Furthermore, as has been described with respect to Embodiment 1, the coupling is pivotable in the rotational direction X4 by the regulating portion 5157h 1 or 5157h2. In addition, in
5 this embodiment, the locking member 5157k is provided at the downstreammost position in the rotational direction X4.

As will be described hereinafter, as shown in Figure 45 (b), in the state of being in engagement
10 with the drive shaft 180, the flange portion 5150j is released from the locking member 5157k. In addition, the coupling 5150 is free from the locking portion 5157k. In assembling the supporting member 5157, when
15 the coupling 5150 is not able to be retained in the inclined state, the driving portion 5150b of the coupling is pushed by tool and so on (the direction of an arrow X14 of Figure 45 (b)). By this, the coupling 5150 will mount easily (Figure 45 (a)).

Referring to Figure 46, , the engaging
20 operation (a part of rotary rotating operation) between the coupling 5150 and the drive shaft 180 will be described. Figure 46 (a) shows a view immediately before the engagement, and (b) is a view after a part of coupling 5150 passes the drive shaft 180. In
25 addition, (c) illustrates the state where the inclination of the coupling 5150 is released by the drive shaft 180, and (d) illustrates the engaged state.

In the state of Figure 46 (a) and (b), the coupling 5150 takes a retreating position, where the axis L2 thereof is inclined beforehand to the rotational direction X4 relative to the axis L1 (pre-
5 engagement angular position). The downstream free end position 5150A1 with respect to the rotational direction X4 takes a position closer to the cartridge B (developing roller) than the drive shaft free-end 180b3 by the inclination of the coupling 5150. In
10 addition, the upstream free end position 5150A2 with respect to the rotational direction X4 is positioned in the pin 182 side from the drive shaft free-end 180b3. At this time, as has been described hereinbefore, the flange portion 5150j is contacted to
15 the locking surface 5157k1 of the locking portion 5157k, and, as for the coupling, the inclined state is maintained.

Thereafter, as shown in (c), the cartridge B moves in the rotational direction X4. By this, tapered
20 driving shaft receiving surface 5150f of the coupling 5150 or driven projection 5150d contacts to the free end portion 180b of the drive shaft 180, or the pin 182. The flange portion 5150j separates from the locking surface 5157k1 by the force by the contact. By
25 this, the lock relative to the supporting member 5157 of the coupling 5150 is released. And, in response to the rotation of the rotary C, the coupling is inclined

so that the axis L2 becomes parallel to the axis L1. After the passage of the flange portion 5150j, the locking member 5157k returns to the previous position by the restoring force. Then, the coupling 5150
5 becomes free from the locking portion 5157k. And, finally, as shown in (d), the axis L1 and the axis L2 become substantially co-axial, and the rotation latency state is established (rotational force transmitting angular position).

10 And, after the image forming operation finishes, the next cartridge B reaches the developing position. For this purpose, the rotary C rotates again. In that case, the coupling 5150 disengages from the drive shaft 180. In other words, the coupling 5150 is
15 moved to the disengaging angular position from the rotational force transmitting angular position. Since the detail of the operation in that case is the same as Embodiment 1 (Figure 25), the description is omitted for simplicity.

20 In addition, by the time the rotary C carries out one-full revolution, the axis L2 of the coupling 5150 inclines to the downstream with respect to the rotational direction X4 by an unshown means. In other words, the coupling 5150 is moved from the disengaging
25 angular position to the pre-engagement angular position by way of the rotational force transmitting angular position. By doing so, the flange portion

5150j contacts to the locking member 3157k, and the inclined state of the coupling is maintained again.

As has been described hereinbefore, the inclining direction of the coupling 5150 is regulated
5 by the locking portion 5157k of the supporting member 5157. By this, the inclined state of the coupling 5150 is maintained even more assuredly. And, the engagement between the coupling 5150 and the drive shaft 180 is established assuredly. Furthermore, at the time of the
10 rotation, the structure that the locking portion 5157k does not contact to the coupling 5150 also contributes to the stabilized transmission of the rotational force.

In this embodiment, the locking portion 5157k has an elastic portion. However, the locking portion
15 5157k may not have the elastic portion and it may be formed in the shape of a rib by which the flange portion of the coupling is made to deform. By this, the similar effects are provided.

In addition, the locking portion 5157k is
20 provided at the downstreammost side with respect to the rotational direction X4. However, the locking portion 5157k may be any position if the axis L2 can maintain the state of inclining to the predetermined direction.

25 In this embodiment, the locking portion 5157k is constituted by a part of supporting members. However, the locking portion 5157k may be provided in

another position of the supporting member, or it may be a member other than the supporting member. In addition, the locking portion may be a separate member.

In addition, the present embodiment, and
5 Embodiment 2 or Embodiment 3 may be implemented simultaneously, and the engagement and the disengaging operations of the coupling relative to the drive shaft are carried out even more assuredly in this case.

10 Embodiment 5:

Referring to Figure 47-Figure 51,, the fifth embodiment of the present invention will be described.

The means for inclining the axis L2 relative to the axis L1 will be described.

15 Figure 47 shows a view of supporting member and rotary flange of the driving side, as seen in the direction of the axis L1. Figure 48 shows a view of the members of the apparatus main assembly, as seen in the direction of the axis L1. Figure 49 is the same as
20 Figure 48, however the locus of the coupling is added. Figure 50 is a sectional view taken along lines S10-S10, S11-S11, S12-S12, S13-S13, S14-S14 in Figure 49.

First, referring to Figure 47, the structure for regulating the inclining direction of the coupling
25 150 will be described. The supporting member 7157 rotates integrally with the rotary C. The member 7157 is provided with regulating portions 7157h 1 or 7157h2

for permitting the inclination, only in said one direction, of the coupling 7150. A distance D6 between these regulating portions is slightly larger than the outer diameter (unshown) of the driving portion 7150b
5 of the coupling 7150 to permit the rotation of the coupling 7150. The regulating portions 7157h1 and 7157h2 are inclined by angle of $\alpha 7$ relative to the rotational direction X4. By this, the coupling 7150 is pivotable to the $\alpha 7$ X5 direction with
10 respect to the rotational direction X4.

Referring to Figure 48,, the method for inclining the coupling 7150 will be described. In the present embodiment, a regulation rib 1630R fixed to the driving side 180 is provided. The radius of the
15 surface inside the radial direction of the rib 1630R is gradually reduced toward the downstream portion 1630Rb from the upstream part 1630Ra, R-2 with respect to the rotational direction X4. And, the radius R-1 of this surface is selected so that it contacts and is
20 interfered by the outer periphery 7150c1 of the intermediate part 7150c of the coupling Figure 45.

When the coupling 7150 contacts with the regulation rib 1630R, the coupling 7150 is pushed toward the rotation axis of the rotary C. At this time,
25 the coupling 7150 is regulated by the regulating portions 1557h 1 or 1557h2 in the movement direction. For this reason, the coupling 7150 is inclined to the

X5 direction.

An increase of the degree of the interference will also increase the inclination of the coupling 7150. The configuration of the regulation rib 1630R is such that before the coupling 7150 engages with the drive shaft 180, the amount of interferences is increased until the inclination angle of the coupling 7150 becomes the engageable angle. In the present embodiment, the section from the position 1630Rb to the position 1630Rc is located on the same radius positions from the rotation axis of the rotary C. The radius is indicated by R-1.

Figure 49 illustrates the locus until the coupling 7150 engages with the drive shaft 180 along the guide 1630R with the rotation of the rotary C. A section taken along lines S10-S10-S14-S14 in Figure 49 is shown in Figure 50(a)-(e).

The coupling 7150 enters the region of the regulation rib 1630R in the direction of X4. At this time, the coupling is faced in the direction of X6 which is the substantially advancing direction, is faced in the reverse direction of X7, or is faced in the inbetween direction thereof. Here, the case where the coupling 7150 faces the direction of X7 will be described.

The inclining direction X5 (Figure 47) of the coupling 7150 is angle α_7 relative to the

rotational direction X4. In view of this, when the coupling 7150 inclines toward the X7 direction, the driven portion 7150a of the coupling outwardly inclines with respect to the radial direction of the rotary C (Figure 47). The gap G1 is provided between the coupling 7150 and the regulation rib 1630R in the place where it enters the range of the regulation member 1630R.

When the rotation of the rotary C advances to the S11-S11 section, the coupling 7150 and the regulation rib 1630R contact to each other (Figure 50b). The radius of the regulation rib 1630R is reduced gradually. Therefore, a degree of the interference increases with the advancement of the coupling 7150.

In the position of the section S12-S12, the regulation rib 1630R pushes up the coupling 7150, and it is co-axial with the development shaft (Figure 50c). At this time, the motion of the coupling 7150 is regulated by the regulation rib 1630R. In view of this, the coupling 7150 is pivotable only in the X8 direction (only in X6 direction in the cross-sectional position of S10-S10), and cannot be inclined toward the opposite direction X8 thereto.

In the cross-sectional S13-S13 position, the degree of the interference of the coupling relative to the regulation rib 1630R increases. In view of this,

the coupling 7150 is pushed up by the rib 1630R, and is forcedly inclined in the direction of X9 (X8 direction in the section S12-S12) (Figure 50 (d)). (pre-engagement angular position).

5 In this state, the rotary C is rotated until the coupling becomes co-axial with the drive shaft 180 (S14-S14 section position). By this, the coupling 7150 can be engaged with the drive shaft 180 through the operation similar to Embodiment 1 (rotational force
10 transmitting angular position).

 Thereafter, after the image formation finishes, the coupling 7150 is disengaged from the drive shaft 180, so that, it is a series of operations are finished (since the disengaging operation is the same
15 as those of the foregoing embodiments, the description is omitted for simplicity). This operation is repeated for every image formation.

 In order for the coupling to interfere with the regulation rib, the coupling is contacted to it
20 from the outside with respect to the radial direction, and inclines the coupling thereby. However, it is regulated such that the angle α 7 (in Figure 47 the X5 direction) of the regulating portions 1557h 1 or 1557h2 are line-symmetrical with respect the
25 tangential direction (the X4 direction). By this, the same operation is carried out when the regulation rib 1630R is contacted from the radial inside.

The cartridge does not need to be provided with the mechanism for inclining the coupling by the orientation of the coupling 7150 being regulated by the regulation rib 1630R. By this, the cost reduction
5 of the cartridge can be accomplished.

In this embodiment, the coupling may be assuredly slid along the rib by applying the force to the coupling with the spring and so on.

In addition, it is moved on the guide rib
10 through an intermediate part 7150c of the coupling. However, if the inclination of the coupling is possible, it may move on the guide rib through the position other than the intermediate part.

In addition, the present embodiment,
15 Embodiment 2 or Embodiment 3, or Embodiment 4 may be implemented simultaneously, and in such a case, Engagement and disengagement operations of the coupling can be ensured.

20 Embodiment 6:

Referring to Figure 51-Figure 52,, the sixth embodiment of the present invention will be described.

In this embodiment, the configuration of another coupling is employed.

25 Figure 51 is an illustration of the coupling which is the main constituent-elements of the present embodiment. Figure 52 is a longitudinal sectional view

illustrating engaged state and state before the engagement between drive shaft of the apparatus main assembly and the coupling.

First, referring to Figure 51,, the configuration of the coupling per se will be described. Figure 51 (a) shows a view of the coupling, as seen from the apparatus main assembly side, Figure 51 (b) shows a view of the coupling, as seen from the developing roller side, and Figure 51 (c) is a sectional view taken along S4-S4 in Figure 51 (a).

The coupling 8150 is generally cylindrical. As shown in Figure 51 (c) the coupling 8150 has a drive shaft insertion opening portion 8150m and a development shaft insertion opening portion 8150p for receiving the rotational force from the drive shaft of the apparatus main assembly. The opening 8150m is provided with a tapered driving shaft receiving surface 8150f. On the cylindrical inner surface, a plurality of driven projections 8150d (8150d 1 or 8150d 2 or 8150d3, 8150d4) in the form of ribs are disposed. In addition, in Figure 51 (a), a rotational force transmitting surface (rotational force receiving portion) 8150e1-e4 is provided downstream of the projection 8150d with respect to the clockwise direction. And, the rotational force (driving force) is transmitted by the contact of the pin 182 of the drive shaft 180 to the transmitting surface 8150e1-e4

to the coupling 8150.

The opening 8150p is provided with a tapered development bearing surface 8150i similarly. In addition, the cylindrical inner surface is provided with the rib-like projections 8150g 1 or 8150g2. In addition, in Figure 50 (b) a transmitting surface (rotational force transmitting portion) 8150h 1 or 8150h2 is provided in an upstream position of the development drive standby opening 8150g 1 or 8150g2 with respect to clockwise direction.

Referring to Figure 52, the description will be made about the engaging operation of the coupling.

Figure 52 (a) is a sectional view illustrating a state before engaging with the drive shaft 180 after the movements of the development shaft 180 and the coupling 8150 in the rotational direction X4. The axis L2 inclines to the angle α so that a downstream free end position 8150A1 with respect to the rotational direction X4 can pass the free end portion 180b. At this time, The upstream 182a and the downstream 182b of the pin 182 maintain the engaged state with the transmitting surface (rotational force receiving portion) 8150h 1 or 8150h2 (Figure 51c) of the coupling 8150.

Figure 52 (b) illustrates the coupling 150 having been described with respect to Embodiment 1, in the orientation the same as Figure 52 (a). As will be

understood from Figure 52 (b), the axis L2 of the coupling 150 is inclined by the angle α 7 similarly to Figure 52 (a). By this, the engagement between upstream pin 155 and the upstream drive transmission surface 8150h1 is not established with respect to rotational direction X4. In other words, there is a gap of G7 between the pin 155 and the transmitting surface 150h1. On the other hand, in the present embodiment, the coupling 8150 has the contact portions for the rotational force transmission at the two places as shown in Figure 52 (a). For this reason, the orientation of the coupling is further stabilized.

As has been described hereinbefore, the coupling has a cylindrical shape. By this, even if it is necessary to increase the inclination angle (pre-engagement angular position) of the coupling, the contact portions for the rotational force transmission in the two places are assured. Therefore, the inclination operation of the stabilized coupling can be accomplished.

Since the co-axial rotational force transmission between the drive shaft 180 and the development shaft 153 and the engagement releasing operation between them are the same as that of Embodiment 1, those descriptions are omitted for simplicity.

[Embodiment 7]

Referring to Figure 53, the seventh embodiment of the present invention will be described.

The present embodiment is different from Embodiment 1 in the configuration of the coupling. Figure 53(a) is a perspective view of a coupling which has a generally cylindrical shape, and Figure 53 (b) is a sectional view when the coupling mounted to the cartridge engages with a drive shaft.

In Figures 53(a) and 53(b), the rotational force is inputted from the main assembly at the righthand side, and the developing roller at the lefthand is driven.

An input side edge of the coupling 9150 is provided with a plurality of driven projections (rotational force receiving portions) 9150d. In this embodiment, they are provided at two positions. Entering portions or entrances 9150k is provided between the drive receiving projections 9150d. The projection 9150d is provided with a rotational force receiving surface (rotational force receiving portion) 9150e. A rotational force transmitting pin (rotational force applying portion) 9182 of the drive shaft 9180 as will be described hereinafter contacts to the rotational force receiving surface 9150e. By this, a rotational force is transmitted to the coupling 9150.

In order to stabilize the torque transmitted

to the coupling, a plurality of rotational force receiving surfaces 150e are desirably disposed on the same circumference (on a common circle). By the disposition in this manner, the rotational force transmission radius is constant and the torque transmitted is stabilized. A sudden increase of the torque can be avoided. In addition, from the viewpoint of the stabilization of the drive transmission, the receiving surfaces 9150e are desirably provided on the opposed positions (180 degrees) diametrically. In addition, the number of the receiving surfaces 9150e may be any if the pin 9182 of the drive shaft 9180 can be received by the standing-by portion 9150k. In the present embodiment, the number is two. The rotational force receiving surfaces 9150e may not be on the same circumference, or they may not be disposed diametrically opposed positions.

In addition, the cylinder surface of the coupling 9150 is provided with the standby opening 9150g. In addition, an opening 9150g is provided with the rotational force transmission surface (rotational force transmitting portion) 9150h. The drive transmission pin (rotational force receiving member) 9155 (Figure 53 (b)) of the development shaft 9153 contacts to this rotational force transmission surface 9150h. By this, the rotational force is transmitted to the developing roller 110 from the main assembly A.

Similarly to the projection 9150d, the rotational force transmission surface 9150h is desirably disposed diametrically opposed on the same circumference.

5 The configurations of the development shaft 9153 and the drive shaft 9180 will be described (Figure 53(b)). In Embodiment 1, the cylindrical end is a spherical surface. In this embodiment, however, a diameter of a spherical free end portion 9153b of the
10 end portion is larger than a diameter of a main part 9153a. With this configuration, the left end portion of the coupling 9150 can incline without interference with the major part 9150a. The configuration of the drive shaft 9180 is the same as that of the
15 development shaft 9150 substantially. In other words, the configuration of the free end portion 9180b is the spherical surface, and the diameter thereof is larger than the diameter of the main part 9180a of the cylindrical shape portion. In addition, the pin
20 (rotational force applying portion) 9182 which pierces through the substantial center of the free end portion 9180b which is the spherical surface is provided. The pin 9182 transmits the rotational force to the transmitting surface or rotational force receiving
25 surface 9150e of the coupling 9150.

The development shaft 9150 and the spherical surface of the drive shaft 9180 are in engagement with

the inner surface 9150p of the coupling 9150. By this, the relative position between the development shaft 9150 and the coupling 9150 of the drive shaft 9180 is determined. The operation with respect to the mounting and demounting of the coupling 9150 relative to the drive shaft 9180 is the same as Embodiment 1, and therefore, the description thereof is omitted for simplicity.

As has been described hereinbefore, the coupling has the cylindrical shape, and therefore, the position with respect to the direction perpendicular to the direction of the axis L2 of the coupling 9150 can be determined if the coupling is engaged with the shaft.

A modified example of the coupling will be described further. In the configuration of the coupling 9250 shown in Figure 53 (c), a cylindrical shape and a conical shape are put together. Figure 53 (d) is a sectional view of the coupling of this modified example. A driven portion 9250a of the coupling 9250 (righthand side in the Figure) has a cylindrical shape, and an inner surface 9250p thereof engages with the spherical surface of the drive shaft 9180. Furthermore, it has the abutment surface 9250q and can effect the positioning with respect to the axial direction between the coupling 9250 and the drive shaft 180. The driving portion 9250b has a

conical shape (lefthand side of the Figure), and, similarly to Embodiment 1, the position relative to the development shaft 153 is determined by the development shaft receiving surface 9250i.

5 The configuration of the coupling 9350 shown in Figure 53 (e) is a combination of a cylindrical shape and a conical shape. Figure 53 (f) is a sectional view of this modified example. The driven portion 9350a of the coupling 9350 has a cylindrical
10 shape (righthand side), and the inner surface 9350p thereof engages with the spherical surface of the drive shaft 9180. The positioning in the axial direction of the drive shaft 9180 is effected by abutting the spherical surface 9180c of the drive
15 shaft 9180 to the edge portion 9350q formed between the cylindrical portions having different diameters.

 The configuration of the coupling 9450 shown in Figure 53 (g) is a combination of a spherical surface, a cylindrical shape, and a conical shape.
20 Figure 53 (h) is a sectional view of this modified example, wherein a driven portion 9450a of the coupling 9450 (righthand side) has a cylindrical shape, and the inner surface 9450p thereof engages with the spherical surface 9450q of the drive shaft. A
25 spherical surface of the drive shaft 180 is contacted to a spherical surface 9450q which is a part of the spherical surface. By this, the position can be

determined with respect to the direction of the axis
L2. Designated by 9250d, 9350d, 9450d are projections.
Designated by 9250e, 9350e and 9450e are rotational
force receiving surfaces (rotational force receiving
5 portion).

[Embodiment 8]

Referring to Figure 54 - Figure 56, the eighth
embodiment of the present invention will be described.

10 The present embodiment is different from
Embodiment 1 in the mounting operation relative to the
drive shaft of the coupling, and the structure with
respect to it. Figure 54 is a perspective view which
illustrates a configuration of a coupling 10150 of the
15 present embodiment. The configuration of the coupling
10150 is a combination of the cylindrical shape and
conical shape which have been described in Embodiment
7. In addition, a tapered surface 10150r is provided
on the free end side of a coupling 10150. In addition,
20 the surface of an opposite side of the drive receiving
projection 10150d with respect to the direction of the
axis L1 is provided with an urging force receiving
surface 10150s.

Referring to Figure 55, the structure of the
25 coupling will be described.

An inner surface 10150p and a spherical
surface 10153b of a development shaft 10153 of the

coupling 10150 are in engagement with each other. An urging member 10634 is interposed between an urging force receiving surface 10150s described in the foregoing and a bottom surface 10151b of a development flange 10151. By this, the coupling 10150 is urged toward the drive shaft 180 when the rotary C is stopped at the predetermined position. In addition, similarly to the foregoing embodiments, a retention rib (unshown) is provided adjacent to the drive shaft 180 on the flange portion 10150j with respect to the direction of the axis L1. By this, the disengagement of the coupling 10150 from the cartridge is prevented. The inner surface 10150p of the coupling 10150 is cylindrical. Therefore, the coupling is mounted to the cartridge B so as to be movable in the direction of the axis L2.

Figure 56 is for illustrating the orientation of the coupling in the case that the coupling engages with the drive shaft. Figure 56 (a) is a sectional view of the coupling 150 of Embodiment 1, and Figure 56 (c) is a sectional view of a coupling 10150 of the present embodiment. And, Figure 56 (b) is a sectional view before reaching the state of Figure 56 (c) the rotational direction is shown by X4 and the chain line L5 is a line drawn in parallel with the mounting direction from the free end of the drive shaft 180.

In order for the coupling to engage with the

drive shaft 180, the downstream free end position 10150A1 with respect to the rotational X4 direction needs to pass the free end portion 180b3 of the drive shaft 180. In the case of Embodiment 1, the axis L2
5 inclines by more than angle $\alpha 104$. By this, the coupling moves to the position where the free end position 150A1 does not interfere with the free end portion 180b3 (Figure 56 (a), pre-engagement angular position).

10 On the other hand, in the coupling 10150 of the present embodiment, it in the state where it does not be in engagement with the drive shaft 180, the coupling 10150 takes the position nearest to the drive shaft 180 by a restoring (elastic) force of an urging
15 member (elastic member) 10634. In this state, when it moves in the rotational direction X4, a part of the tapered surface 10150r of the coupling 10150 contacts the drive shaft (Figure 56 (b)). At this time, the force is applied to the tapered surface 10150r in the
20 direction X4, and therefore, the coupling 10150 is retracted in the longitudinal direction X11 by a component force thereof. And, the free end portion 10153b of the development shaft 10153 abuts to an abutting portion 10150t of the coupling 10150. In
25 addition, the coupling 10150 rotates clockwise about the center P1 of the free end portion 10153b (pre-engagement angular position) of the development shaft.

By this, the downstream free end position 10150A1 of the coupling with respect to the rotational direction X4 passes by the free end 180b of the drive shaft 180 (Figure 56 (c)). When the drive shaft 180 and the development shaft 10153 becomes substantially co-axial, a driving shaft receiving surface 10150f of the coupling 10150 contacts to the free end portion 180b by the elastic force of the urging spring 10634. By this, the coupling becomes in the rotation latency state (Figure 55). In consideration of an amount of retraction of the coupling 10150, the degree of inclination of the axis L2 can be reduced to $\alpha 106$ (Figure 56(c)).

At the time of the rotary resume the rotation in said one direction after completion of the image forming operation, the free end portion 180b is forced on the conical shape driving shaft receiving surface 10150f of the coupling 10150 by rotation force of the rotary. The coupling 10150 is pivoted by this force, while retracting toward the direction (opposite to X11 direction) of the axis L2 by this. The coupling 10150 is disengaged (disconnected) from the drive shaft 180.

Embodiment 9:

Referring to Figure 57, Figure 58, and Figure 59,, embodiment 9 will be described.

The present embodiment is different from

Embodiment 1 in position (position of the coupling) for inputting the rotational force, and structure for transmitting the rotational force to developing roller and developer supply roller from coupling.

5 Figure 57 is a perspective view of the cartridge B. In addition, Figure 58 is a perspective view illustrating a driving portion of the cartridge B without the side plate. Figure 59 (a) is a perspective view of a driving input gear, as seen from the driving
10 side. Figure 59 (b) is a perspective view of a driving input gear, as seen from the non-driving side.

A development gear 145 is provided to the one longitudinal end of a developing roller 110. In addition, a developer supply roller gear 146 is
15 provided to the one longitudinal end of the developer supply roller 115 (Figure 1). Both the gears are fixed on the roller shafts. By this, the rotational force received by the coupling 150 from the apparatus main assembly A is transmitted to the pin (rotational force
20 receiving portion) 155 and the gear 147. In addition, the rotational force received by the gear 147 is transmitted to the developing roller 110 and the developer supply roller 115 through the gear 145 and the gear 146. The rotational force may be transmitted
25 to the developer stirring member and so on. In addition, the member for transmitting the rotational force may not be a gear, but may be a toothed belt and

so on. The driving force transmitting members, such as the gear or the toothed belt, are usable properly.

Referring to Figure 59,, the driving input gear 147 which mounts the coupling 150 swingably will
5 be described. A gear shaft 11153 is fixed by the press-fitting, the bonding, and so on to the inside of the gear. The end 11153b thereof has a spherical configuration, so that it can incline smoothly when the axis L2 inclines. In this embodiment, although
10 the gear shaft 11153 is made of metal, it may be made of resin material integral with the gear 147. In addition, The rotational force transmitting pin (rotational force receiving portion) 155 for receiving the rotational force from the coupling 150 is provided
15 at the free end side of the gear shaft 11153, and it is extended in the direction crossing with the axis of the gear shaft 11153.

The pin 155 is made of the metal and is fixed by the press-fitting, the bonding, and so on to the
20 gear shaft 11153. If the transmission of the rotational force is possible, the position of the pin 155 is satisfactory anywhere. Preferably, the pin 155 penetrates the spherical surface center of the free end portion 11153b of the gear shaft 11153. This is
25 because, with such a structure, even when the angle of deviation exists between the gear shaft 11153 and the axis L2, the rotational force transmission radius is

always constant. By this, constant transmission of the rotational force is accomplished. The number of rotational force transmission points may be any, and the person skilled in the art can select it properly.

5 However, in this embodiment, the single pin 155 is employed from the viewpoint of assured transmission of driving torque, and assembling property. And, the pin 155 penetrates the center of the free end spherical surface 11153b. By this, the pin 155 projects in the

10 diametrically opposite-directions from the peripheral surface of the gear shaft 11153. In other words, the rotational force is transmitted at the two places. Here, in this embodiment, although the pin 155 is metal, it may be a product made of resin material

15 integral with the gear shaft 11153 and the gear 147. The gears 145, 146, and 147 are helical gears.

In addition, since the mounting method of the coupling 150 is the same as that of Embodiment 1, the description is omitted.

20 The gear 147 is provided with a space 147a for receiving the coupling 150 partially, so that it does not interfere with the gear 147, when the coupling 150 swings (the movement, pivoting). The space 147a is provided at the center portion of the gear 147. By

25 this, it is possible to shorten the length of the coupling 150. Furthermore, as for the mounting method of the gear 147, a hole 147b (Figure 59 (b)) is

rotatably supported by the supporting shaft (unshown) of the development bearing 11151 (Figure 58). In addition, the cylindrical portion 147c is rotatably supported by the inner surface 11157i of the

5 supporting member 11157.

Since the engagement, drive, and disengagement of the coupling by the rotating operation of the rotary C are the same as that of Embodiment 1, the description is omitted.

10 The means for inclining the axis L2 to the pre-engagement angular position just before the engagement of the coupling to the drive shaft may employ a method of any of the embodiment 2 - embodiment 5 described heretofore.

15 As has been described with respect to the present embodiment, it is not necessary to dispose the coupling 150 to the end co-axial with the developing roller 110. More particularly, according to the embodiment described above, the coupling 150 is

20 provided at the position remote from the axis L1 of the developing roller 110 in the direction perpendicular to the axis L1 of the developing roller 110. And, in the direction of the rotation axis L2, the rotational force transmitting surface (rotational

25 force transmitting portion, and the cartridge side rotational force transmitting portion) 150h are provided in the opposite side from the rotational

force receiving surface (rotational force receiving portion) 150e. And, the rotational force received by the rotational force transmitting surface 150h is transmitted to the developing roller 110 through the transmission pin 155 (rotational force receiving portion) and the gears 145 and 147 (driving force transmitting member). By this, the developing roller 110 is rotated by the rotational force received from the main assembly A by the coupling 150.

10 According to this embodiment, the latitude of the design of the apparatus main assembly A and the cartridge B is improved. This is because, in the cartridge B, the position of the coupling can be properly selected irrespective of the position of the developing roller 110.

15 In addition, in the apparatus main assembly A, the position of the drive shaft 180 can be properly selected irrespective of the position of the developing roller 110 in the state of the cartridge B mounted to the rotary C.

This is effective in development of commercial products.

Embodiment 10:

25 Referring to Figure 60-Figure 69, the tenth embodiment of the present invention will be described.

Figure 60 is a perspective view of the

cartridge using a coupling 12150 according to the present embodiment. An outer periphery of an outside end of a development supporting member 12157 provided in the driving side functions as the cartridge guides
5 140L1, 140L2.

The developing cartridge is dismountably mounted to the rotary C by these cartridge guides 140L1, 140L2 and cartridge guide (unshown) provided in the non-driving side.

10 In this embodiment, the coupling can be integrally handled with the development shaft end member. Here, the development shaft end member is the member mounted to the end of the developing roller, and it has the function of transmitting the rotational
15 force to the other member in the cartridge B.

Figure 61 (a) is a perspective view of the coupling, as seen from the driving side. It is a perspective view, as seen from the developing roller side of Figure 61 (b) coupling. Figure 61 (c) is a
20 side view of the coupling as seen in the direction perpendicular to the direction of the axis L2. In addition, Figure 61 (d) is a side view of the coupling, as seen from the driving side. Figure 61 (e) shows a view of the coupling, as seen from the developing
25 roller side. In addition, Figure 61 (f) is a sectional view taken along a line S21-S21 of Figure 61 (d).

The coupling 12150 of the present embodiment

is engaged with the drive shaft 180 similarly to the coupling 150. To receive the rotational force for rotating the developing roller. In addition, it is disengaged from the drive shaft 180.

5 The coupling side driven portion 12150a of the present embodiment has the function and structure similar to those of the member 150a, and the coupling side driving portion 12150b has the function and structure similar to the member 150b. In this
10 embodiment, the driving portion 12150b has the spherical driving shaft receiving surface 12150i so as to be able to move among said three angular positions irrespective of the rotation phase of the developing roller 110 (Figure 61 (a), (b), (c), (f)).

15 In addition, the intermediate part 12150c has the function and structure similar to those of the member 150c. In addition, the material and so on is the same as that of the member.

 In addition, the opening 12150m has the
20 function and structure similar to those of the member 150m (Figure 61 (f)).

 In addition, the projection 12150d (12150d1-d4) has the function and structure similar to those of the element 150d (Figure 61 (a), (b), (c), (d)).

25 The entrance portion 12150k (12150k1-k4) has the function and structure similar to those of the element 150k (Figure 61 (a), (b), (c), (d)).

In addition, the driving portion 12150b has the spherical surface so that, it can move between rotational force transmitting angular position and pre-engagement angular position (or disengaging angular position) relative to the axis L1 irrespective of the rotation phase of the developing roller 110 in the cartridge B5. In the illustrated example, the driving portion 12150b has a spherical retaining portion 12150i concentric with the axis L2. A fixing hole 12150g penetrated by a transmission pin 12155 at a position passing through the center of the driving portion 12150b is provided.

In this embodiment, the coupling 12150 comprises a driven portion 12150a, an intermediate part 12150c, and a driving portion 12150b. The connection method between them will be described in the drum flange assembly process hereinafter.

Referring to Figure 62, , an example of a development shaft end member 12151 which supports the coupling 12150 will be described. Figure 62 (a) shows a view , as seen from the drive shaft side, and Figure 62 (b) is a sectional view taken along a line S22-S22 in Figure 62 (a).

The opening 12151g 1 or 12151g2 shown in Figure 62 (a) forms a groove extended in a rotational axis direction of a development shaft end member 12151. At the time of mounting the coupling 12150, the

rotational force transmitting pin (rotational force transmitting portion) 12155 enters this opening 12151g1 or 12151g2.

The transmission pin 12155 moves inside of the opening 12151g1 or 12151g2. By this, irrespective of the rotation phase of the developing roller 110 in the cartridge B5, the coupling 12150 is movable between said three angular positions.

In addition, in Figure 62 (a), rotational force receiving surfaces (rotational force receiving portions) 12151h (12151h1 or 12151h2) are provided in the clockwise upstream of the opening 12151g1 or 12151g2. A side of the transmission pin 12155 of the coupling 12150 contacts to the transmitting surface 12151h. By this, the rotational force is transmitted to the developing roller 110. The transmitting surfaces 12151h1 - 12151h2 have the surfaces intersected by the rotational direction of the end member 12151. By this, the transmitting surface 12151h is pressed to the side of the transmission pin 12155, and rotates about the axis L1 (Figure 62b).

As shown in Figure 62 (b), the end member 12151 is provided with a coupling containing section 12151j for accommodating the drive transmitting portion 12150b of the coupling 12150.

Figure 62 (c) is a sectional view illustrating the step of assembling the coupling 12150.

As for the driven portion 12150a and the intermediate part 12150c of the coupling, the retaining member 12156 is inserted into the intermediate part 12150c. And, the driven portion
5 12150a and the intermediate part 12150c are capped in the direction of the arrow X32 by a positioning member 12150q (a driving portion 12150b) which has a retaining portion 12150i. The pin 12155 penetrates the fixing hole 12150g of the positioning member 12150q,
10 and the fixing hole 12150r of the intermediate part 12150c. And, the pin 12155 fixes the positioning member 12150q to the intermediate part 12150c.

Figure 62 (d) is a sectional view illustrating the step of fixing the coupling 12150 to the end
15 member 12151.

The coupling 12150 is moved in the X33 direction, and the transmission part 12150b is inserted in the accommodating portion 12151j. The retaining member 12156 is inserted in the direction of
20 an arrow X33 to fix it to the end member 12151. The retaining member 12156 is fixed with play to the positioning member 12150q. By this, the coupling 12150 can change the orientation. In this manner, a coupling unit which has the coupling and the end member 12151
25 integrally is provided.

The retaining portion 12156i mounts the coupling 12150 so that it is movable (pivotable)

between the rotational force transmitting angular position, the pre-engagement angular position, and the disengaging angular position. In addition, the retaining portion 12156i regulates the movement of the coupling 12150 in the direction of the axis L2. In other words, the opening 12156j has diameter ϕ D15 smaller than the diameter of the retaining portion 12150i.

Similarly to the projection 12150d, the rotational force transmitting surfaces (rotational force transmitting portions) 12150h 1 or 12150h2 are preferably disposed diametrically opposed on the same circumference.

The coupling and the end member can be integrally treated by the structure as described above. By this, the handling at the time of the assembly is easy, and the improvement of the assembling property can be accomplished.

Referring to Figure 63 and Figure 64, , the mounting of the cartridge B will be described. Figure 63 (a) is a perspective view of the major part of the cartridge , as seen from the driving side, and Figure 63 (b) is a perspective view thereof , as seen from the non-driving side. In addition, Figure 64 is a sectional view taken along a line S23-S23 in Figure 63 (a). The developing roller 110 is rotatably mounted on the developing device frame 119.

In the description described above, the coupling 12150 and the end member 12151 are assembled to the coupling unit. And, the unit U10 is mounted to the development shaft 12153 by the side of the end of the developing roller 110 so that the transmission part 12150a is exposed. And, the transmission part 12150a is assembled through an inner space 12157b of the supporting member 12157. By this, the transmission part 12150a is exposed through the cartridge.

As shown in Figure 64, a positioning portion for the developing roller 12110 12157e is provided on the supporting member 12157. By this, the end member 12151 is retained assuredly.

Here, as shown in Figure 66, the axis L2 of the coupling 12150 can incline in any directions relative to the axis L1. Figure 66(a1)- (a5) is a view, as seen from the drive shaft (180) side, and Figure 66(b1)- (b5) is the perspective view thereof. In Figure 66 (a1) (b1), the axis L2 is co-axial with the axis L1. Figure 65 (a2) (b2) illustrates the coupling 12150 in the upward inclined state from this state. While the coupling inclines toward the position of the opening 12151g, the transmission pin 12155 is moved along the opening 12151g (Figure 66 (a2) (b2)). As a result, the coupling 12150 is inclined about the axis AX perpendicular to the opening 12151g.

In Figure 66 (a3) (b3), the coupling 12150 is

inclined rightward. Thus, when the coupling inclines
in the orthogonal direction of the opening 12151g, the
pin 12155 rotates inside of the opening 12151g. The
axis of rotation is the axis line AY of the
5 transmission pin 12155.

The coupling 12150 inclined downward and the
coupling inclined leftward are shown in Figs. 66 (a4)
(b4) and 66 (a5) (b5). The coupling 12150 is inclined
about the rotation axis AX, AY.

10 With respect to the direction different from
the inclining direction, and in the midrange, the
rotation of the circumference of the axis AX and the
rotation of the circumference of AY can combine with
each other, so that the inclination is permitted. For
15 example, the directions different from the inclining
direction are Figures 66 (a2), (a3), (a3), (a4), (a4),
(a5), (a5), and (a2). In this manner, the axis L2 can
be inclined in any directions relative to the axis L1.

However, the axis L2 does not need to be
20 necessarily pivotable relative to the axis L1 linearly
to the predetermined angle in any directions over 360
degrees. In that case, for example, the opening 12151g
is set slightly wide in the circumferential direction.
By such the setting, when the axis L2 inclines
25 relative to the axis L1, the coupling 12150 rotates to
a slight degree about the axis L2, even if it is the
case where it cannot incline to the predetermined

angle linearly. By this, the axis L2 can be inclined to the predetermined angle relative to the axis L1. In other words, the play in the rotational direction of the opening 150g can be selected properly by one skilled in the art.

As has been described hereinbefore, (Figure 64), the spherical surface 12150i contacts to the retaining portion 12156i. For this reason, the rotation axis of the coupling 12150 is on the center P2 of the spherical surface 12150i. In other words, the axis L2 is pivotable irrespective of the phase of the end member 12151. In addition, as will be described hereinafter, in order for the coupling 12150 to engage with the drive shaft 180, the axis L2 is inclined to the downstream in the rotational direction X4 relative to the axis L1 just before the engagement. In other words, as shown in Figure 67, the axis L2 inclines relative to the axis L1, so that the driven portion 12150a is the downstream with respect to the rotational direction X4.

Figure 60 shows the state where the axis L2 is inclined relative to the axis L1. In addition, Figure 65 is a sectional view taken along a line S24-S24 in Figure 60.

By the structure described heretofore, the axis L2 in the inclined state shown in Figure 65 can also become substantially parallel with the axis L1.

In addition, the maximum possible inclination angle α_4 (Figure 65) between the axis L1 and the axis L2 is determined so that the range to the position where the driven portion 12150a and the intermediate part 12150c contact to the end member 12151 or the supporting member 12157 is covered. And, the angle α_4 is set to the value required for the mounting and demounting to the apparatus main assembly.

Here, in the case of the present embodiment, the maximum possible inclination angle α_4 is 20 degrees - 80 degrees.

As has been described with respect to Embodiment 1, immediately before Cartridge B (B5) is determined to the predetermined position of the apparatus main assembly A, or, substantially simultaneously with it being determined to the predetermined position, the coupling 12150 and the drive shaft 180 engage with each other. More particularly, the coupling 12150 and the drive shaft 180 are engaged with each other immediately before or substantially simultaneously with the stoppage of the rotary C.

Referring to Figure 67, the engaging operation of this coupling 12150 will be described. Figure 67 is a longitudinal sectional view of the apparatus main assembly A, as seen from the lower part.

In the moving process of the cartridge B7 by

the rotary C, the axis L2 of the coupling 12150
inclines beforehand in the pre-engagement angular
position to the rotational direction X4 relative to
the axis L1 (Figure 67 (a)). In the direction of the
5 axis L1, the downstream free end position 12150A1 with
respect to the rotational direction X4 is positioned
in the developing roller 12110 direction side beyond
the drive shaft free-end 180b3 by the inclination of
the coupling 12150. In addition, the upstream free end
10 position 12150A2 with respect to the rotational
direction X4 is positioned in the pin 182 direction
side than the drive shaft free-end 180b3 (Figure 67
(a)).

First, the upstream free end position 12150A1
15 with respect to the rotational direction X4 of the
coupling 12150 passes by the drive shaft free-end
180b3. A part of coupling (receiving surface 12150f
and/or projection 12150d) which is the cartridge side
contact portion contacts to the main assembly side
20 engaging portion (the drive shaft 180 and/or the pin
182), after the passage. The coupling is inclined so
that the axis L2 becomes parallel to the axis L1 in
response to the rotation of the rotary C (Figure 67
(c)). And, when the developing cartridge B7 finally
25 stops at the predetermined position (developing
position) in the apparatus main assembly A (stoppage
of the rotation of the rotary), the drive shaft 180

and the developing roller 12110 will become substantially co-axial with each other. And, the coupling 12150 is moved from the pre-engagement angular position toward the rotational force transmitting angular position where the axis L2 is substantially co-axial with the axis L1. And, the coupling 12150 and the drive shaft 180 are engaged with each other (Figure 67 (d)). The recess 12150z of the coupling covers the free end portion 180b.

10 As has been described hereinbefore, the coupling 12150 is mounted for inclining motion relative to the axis L1. More particularly, the coupling 12150 inclines without interfering with the drive shaft 180 in response to the rotating operation of the rotary C. By this, the coupling 12150 can be engaged with the drive shaft 180.

 Similarly to embodiment 1, the engaging operation of the coupling 12150 described above can be carried out irrespective of the phase of the drive shaft 180 and the coupling 12150.

 In this manner, in this embodiment, the coupling 12150 is mounted to the cartridge B7 for substantial revolvment relative to the developing roller 110.

25 Referring to Figure 68, the rotational force transmitting operation at the time of rotating the developing roller 110 will be described. The drive

shaft 180 rotates with the gear (helical gear) 181 in the direction of X8 in the Figure by the rotational force received from the motor 64 (driving source). The transmission pin 182 integral with the drive shaft 180
5 contacts to two of the four rotational force receiving surfaces 150e of the coupling 12150 to rotate the coupling 12150. Furthermore, as stated in the foregoing, the coupling 12150 is coupled with the developing roller 110 for drive transmission. For this
10 reason, the rotation of the coupling 12150 rotates the developing roller 110 through the end member 12151.

In addition, even if the axis L3 and the axis L1 deviate from the co-axial relations somewhat, the coupling can rotate without applying the large load to
15 the developing roller and the drive shaft because the coupling 12150 inclines slightly.

This is one of the remarkable effects according to an embodiment of the coupling of the present invention.

20 Referring to Figure 69, the description will be made as to operation of the coupling 12150 and so on at the time of the cartridge B (B7) moving to another station by the rotation of the rotary C. Figure 69 is a longitudinal sectional view of the
25 apparatus main assembly A , as seen from the lower part. First, similarly to embodiment 1, whenever the cartridge B moves from the position (developing

position) where opposes to the photosensitive drum, the pin 182 is positioned at any two of the entrance portions 12150k1-12150k4 (Figure 61).

In the state where the rotary C is at rest at the developing position, the axis L2 of the coupling 12150 is substantially co-axial relative to the axis L1 (rotational force transmitting angular position). When the rotary C further starts the rotation to one direction after termination of the development, The upstream receiving surface 12150f with respect to the rotational direction X4 and/or the projection 12150d of the coupling 12150 contact to free end portion 180b of the drive shaft 180, and/or the pin 182 (Figure 69a), in response to the movement in the rotational direction X4 of the cartridge B (developing roller 110).. And, the axis L2 begins (Figure 69b) to incline toward the upstream in the rotational direction X4. The inclining direction (pre-engagement angular position) of the coupling at the time of the cartridge B moving this direction to the developing position is the substantially opposite relative to the axis L1. By the rotating operation of this rotary C, the upstream free end portion 12150A2 with respect to the rotational direction X4 moves, while it is in contact with the drive shaft 180 (free end portion 180b). The axis L2 of the coupling 12150 inclines to the position (disengaging angular position) where the upstream free

end portion 150A2 reaches to the drive shaft free-end 180b3 (Figure 69c). And, in this state, the coupling 12150 is passed while it is in contact with the drive shaft free-end 180b3 (Figure 69d). Thereafter, the
5 cartridge B is completely retracted from the developing position by the rotating operation of the rotary C.

As has been described hereinbefore, the coupling 12150 is mounted for inclining motion
10 relative to the axis L1 to the cartridge B. And, the coupling 12150 is inclined without interfering with the drive shaft in response to the rotational movement of the rotary C. By this, the coupling 12150 can be disengaged from the drive shaft 180.

15 The coupling 12150 can be integrally handled with the end members (gear and so on) by the structure as described above. For this reason, the assembly operation property is improved.

The structure for inclining the axis L2 of the
20 coupling to the pre-engagement angular position, immediately before the coupling engages with the drive shaft may employ any of the embodiment 2-embodiment 5.

Embodiment 11:

25 Referring to Figure 70, Figure 71, and Figure 72, embodiment 11 will be described.

The present embodiment is different from

Embodiment 10 in the position (position of the coupling) which inputs the drive, and the structure which transmits the rotational force to the developing roller and the developer supply roller from the
5 coupling.

Figure 70 is a perspective view of a cartridge according to the present embodiment. Figure 71 is a perspective view illustrating a driving portion of the cartridge. Figure 72 (a) is a perspective view of a
10 driving input gear, as seen from the driving side. Figure 72 (b) is a perspective view of the driving input gear, as seen from the non-driving side.

The development gear 145 and the feed roller gear 146 are disposed at the drive lateral end
15 portions of the developing roller 110 and the feed roller 115 (Figure 1), respectively. The gears 145 and 146 are fixed to the shaft. The rotational force received by the coupling 13150 from the apparatus main assembly A is transmitted through the gear to the
20 other rotating members (the developing roller 110, the developer supply roller 115, the toner stirring (unshown), and so on) of cartridge B (B6).

A driving input gear 13147 which supports the
25 coupling 13150 will be described.

As shown in Figure 71, the gear 13147 is rotatably provided at the position for engagement with

the development gear 145 and the feed roller gear 146.
The gear 13147 has the coupling containing section
13147j similar to the end member 12151 described in
Embodiment 10 (Figure 72 (a)). The coupling 13150 is
5 pivotably retained by a retaining member 13156 on the
gear 13147.

Further, the supporting member 13157 and the
inclination regulation member 13157i are mounted to
the cartridge B (Figure 70).

10 The supporting member 13157 is provided with
the hole and the inner surface 13157i thereof engages
with the gear 13147. Since the engagement, drive, and
disengagement of the coupling by the rotating
operation of the rotary are the same as that of
15 Embodiment 10, the description is omitted for
simplicity.

In addition, The structure for inclining the
axis L2 of the coupling to the pre-engagement angular
position, immediately before the coupling engages with
20 the drive shaft may employ any of that of the
embodiment 2-embodiment 5.

As has been described hereinbefore, it is not
necessary to dispose the coupling at the end co-axial
with the developing roller. According to this
25 embodiment, the latitude in the design of the image
forming device body and the cartridge can be improved.
According to this embodiment, the effects similar to

Embodiment 9 are provided.

Embodiment 12:

Embodiment 12 will be described with reference
5 to Figures 73 and 74.

In the above-described Embodiments, the case
of using the rotation selecting mechanism (rotary) as
the moving member for the developing device (cartridge
B) is described. In this embodiment, another moving
10 member will be described.

Figures 73(a) and 73(b) are sectional views
showing a cartridge supporting member for supporting
four cartridges B (14B1 to 14B4). Figures 74(a) to
74(e) are perspective views and side views showing
15 processes for engaging and disengaging a coupling with
respect to a driving shaft.

Referring to Figures 73(a) and 73(b), the
respective cartridges B (14B1 to 14B4) are laterally
arranged in cross section in a cartridge supporting
20 member 14190 and are detachably mounted to the
cartridge supporting member 14190. Figure 73(a) is a
schematic view showing a state in which a first color
cartridge 14B1 is located at a portion opposite to a
photosensitive drum 107 and is capable of performing
25 development with respect to the photosensitive drum
107. When the cartridge 14B1 completes the development,
the supporting member 14190 moves in an X20 direction,

so that an adjacent (second) color cartridge 14B2 is located at the opposing portion (developing position) with respect to the photosensitive drum 107.

Incidentally, a developer image formed on the
5 photosensitive drum 107 is transferred onto a transfer belt 104a. These operations are repeated for each of the colors. Finally, as shown in Figure 73(b), a fourth color cartridge 14B4 is moved to the opposing portion with respect to the photosensitive drum 107,
10 so that four color developer images are transferred onto the transfer belt. Then, the developer images are transferred from the transfer belt onto a recording material S and are fixed on the recording material S.

Incidentally, each of the cartridges 14 is
15 moved in a direction substantially perpendicular to a direction of the axial line L3 of the driving shaft 180 by the movement of the supporting member 14190 in one direction.

As a result, a color image is formed on the
20 recording material S.

When a series of the color image formation is completed, the supporting member 14190 is moved in the X21 direction to be returned to an initial position (the state of Figure 73(a)).

25 Next, with reference to Figures 74(a) to 74(e), steps of connecting and disconnecting the coupling with respect to the driving shaft by the movement of

the supporting member will be described.

Representatively, connection and disconnection of the cartridge 14B3 with respect to a coupling 14150C will be described. Figure 74(a) is a perspective view
5 showing a state of the coupling 14150C immediately before connection to the driving shaft 180 and Figure 74(b) is a side view thereof. Figure 74(c) is a perspective view showing a state in which the coupling is connected to the driving shaft and placed in a
10 driving force transmittable condition. Figure 74(d) is a perspective view showing a disconnected state of the coupling from the driving shaft and Figure 74(e) is a side view thereof.

In this embodiment, as a means for including
15 the axial line L2, the constitution described in Embodiment 5 is used. That is, a regulation rib 14191 provided to the apparatus main assembly is disposed along a lower side of a line L20 through which a coupling 14150C passes and upstream from the driving
20 shaft 180 with respect to a movement direction X20. Further, similarly as in Embodiment 6, a distance between a top surface 14191a of the regulation rib and the coupling 14150C is set to be smaller when the coupling 14150C comes closer to the driving shaft 180.
25 Further, as shown in Figure 74(b), an inclination direction of an axial line L is regulated so that a driven portion (portion to be driven) 14150Ca is

directed upwardly with respect to the line L20 (the inclination direction is indicated by a line L30).

Here, when development with the cartridge 14B2 is completed, the supporting member is horizontally
5 moved in one direction. By this movement, the cartridge 14B3 is moved toward a predetermined position. During its process, an intermediate portion 14150Cc contacts the top surface 14191a. At this time, as described in Embodiment 6, the driven portion
10 14150Ca is directed toward the driving shaft 180 (the pre-engagement angular position) (the state of Figure 74(a)). Thereafter, similarly as in the above-mentioned description, the coupling 14150C engages with the driving shaft 180 (the rotating force
15 transmitting angular position) (the state of Figure 74(c)). Then, when image formation with the cartridge 14B3 is completed, the cartridge 14B3 is moved in the X20 direction. The coupling 14150C is disengaged from the driving shaft 180 (disengagement angular position)
20 (the state of Figure 74(d)). Details are the same as those described above, thus being omitted.

As described above, the developments with all the couplings are completed, the supporting member 14190 is returned to the initial position (the state
25 of Figure 74(b)). An operation during a process thereof will be described. The coupling of each of the cartridges is required to pass through the driving

shaft 180. For this reason, the coupling is, similarly as during the development, moved from the pre-engagement angular position to the disengagement angular position through the rotating force transmitting angular position. For this purpose, it is necessary to employ a constitution for inclining the axial line L2. As shown in Figure 74(d), a regulation rib 14192 similar to that described in Embodiment 6 is disposed along the upper side of the line L20 through which the coupling 14150C passes. The rib 14192 is disposed upstream from the driving shaft 180 with respect to the movement direction X21. Further, the distance between the regulation rib 14192 and the line L20 is set similarly as in the case of the regulation rib 14192. That is, the regulation rib 14191 and the regulation rib 14192 are set in a point-symmetry relationship with respect to the center of the driving shaft 180. Incidentally, as shown in Figure 74(e), a regulation direction of the coupling 14150C is not changed. For this reason, the coupling 14150C is also moved, at the initial stage (X21 direction), from the pre-engagement angular position to the disengagement angular position through the rotating force transmitting angular position by the same operation as during the image formation (development) (during the movement in the X20 direction). During this operation, the coupling 14150C passes through the driving shaft

180 and then is returned to the initial position.

In this embodiment, the cartridge is detachably supported with respect to the image forming apparatus. During replacement of the cartridge, as
5 shown in Figure 74(a), the supporting member 14190 is rotationally moved in the X30 direction. By this rotational movement, the user moves each of the cartridges 14B1 to 14B4 to a replaceable position.

Incidentally, in this embodiment, the movement
10 direction of the developing cartridge is obliquely upward but may also be an opposite direction and the developing cartridge may be disposed so as to be movable in other directions.

In the foregoing description, the image
15 formation (development) is effected when the cartridge is moved in one direction but is not effected when the cartridge is moved other directions. However, the present invention is not limited thereto. For example,
when the cartridge is moved in other directions, the
20 image formation may be effected.

[Embodiment 13]

Embodiment 13 will be described with reference to Figure 75.

25 In the foregoing description, the cartridge detachably mountable the apparatus main assembly A is described. In this embodiment, such an image forming

apparatus that the developing device as the developing apparatus is fixed to an apparatus main assembly and image formation is effected by real time supply of the developer. That is, the developing device in this
5 embodiment is mounted to the apparatus main assembly A by the user but is not demounted. The developing device in this embodiment is a fixed-type in which the developing device is fixed to the apparatus main assembly A and is used in a fixed state. Maintenance
10 is performed by a service person.

Figure 75 is a sectional view of the apparatus main assembly.

As shown in Figure 75, a rotary C2 includes four color developing devices 15A, 15B, 15C and 15D
15 mounted therein. The rotary C2 further includes developer bottles 16A, 16B, 16C and 16D each for supplying a developer to an associated developing device. These bottles 16A, 16B, 16C and 16D are detachably mounted to the apparatus main assembly A in
20 a direction perpendicular to the drawing. When the developer in the bottle empties, the bottle is replaced by the user.

By the rotation of the rotary C, each of the developing devices 15A, 15B, 15C and 15D is
25 successively moved to a portion (developing position) opposite to the photosensitive drum 107 and at the opposing portion, a latent image formed on the

photosensitive drum 107 is developed. Depending on the movement of each of the developing devices to the opposing portion, the coupling member (not shown) provided to the developing device is engaged with the driving shaft provided to the apparatus main assembly (not shown). Thereafter, when the image formation is completed, the cartridge (not shown) is disengaged from the driving shaft. This operation is similar to that in Embodiment 1 and the like, so that description thereof is omitted.

As described above, even in the case of drive switching of the developing device fixed to the apparatus main assembly, the operation can be performed similarly as in the cases of Embodiments described above.

Embodiment 14:

Referring to Figure 76, Figure 77, and Figure 78,, embodiment 14 will be described.

These embodiments differ from Embodiment 11 in the configuration of the coupling, and provision of the elastic material for maintaining the coupling at the pre-engagement angular position.

Figure 76 (a) is a perspective view illustrating a part of cartridge B. Figure 76 (b) and Figure 76 (a) are sectional views taken along a line extended in the inclining direction of the axis of the

coupling through the center of the driving input gear (the member which mounts the driving input gear is also illustrated). Figure 77 (a) is a side view of the coupling alone. Figure 77 (b) is a perspective view of the coupling alone. Figure 78 (a) is a sectional view illustrating the state where the coupling (cartridge) is positioned at the pre-engagement angular position. Figure 78 (b) is a sectional view illustrating the state where the coupling (cartridge) is positioned at the rotational force transmitting angular position. Figure 78 (c) is a sectional view illustrating the state where the coupling (cartridge) is positioned at the disengaging angular position. Figure 78 (a), (b), and (c) illustrate the positional relations between the coupling 15150 and the drive shaft 180.

As shown in Figure 76, the development gear 145 is disposed to the end of the developing roller 110. And, the gear 145 is fixed to the shaft 155 of the developing roller 110.

A driving input gear 15147 which mounts the coupling 15150 will be described.

As shown in Figure 76, the gear 15147 has the gear portion for meshing engagement with the development gear 145 15147a, and the gear portion 15147b for meshing engagement with the feed roller gear 146 (Figure 58). And, the gear 15147 is rotatably mounted to the cartridge B by a supporting member

15170 and a supporting member 15157. The supporting member 15170 functions also as the bearing member for the developing roller 110.

By this, the rotational force received by the coupling 15150 from the apparatus main assembly A is transmitted to the developing roller 110 through the pin 15155 (rotational force transmitting portion), the rotational force transmitting surface 12151h (Figure 62 (a), (b), rotational force receiving portion), the gear 147, and gear 145.

The coupling 15150 is pivotably mounted to the gear 15147 by a retaining portion 15147m (movable among said three angular positions). In addition, the coupling 15150 is urged by an urging spring (elastic material) 15159 in order to maintain the pre-engagement angular position. In this embodiment, the spring 15159 is a torsion coil spring. A supporting portion 15159a of the spring 15159 is locked by a mounting portion (unshown) provided on the cartridge B. And, an arm portion 15159b thereof elastically urges an intermediate part 15150c of the coupling. By this, the axis L2 of the coupling 15150 is maintained at the pre-engagement angular position (Figure 78 (a)). In the present embodiment, a spring force (elastic force) of the spring 15159 is 5g - 100g. If it is below 5g, the coupling may not incline correctly due to the frictional force and so on. If it is more than 100g,

the contact portion of the spring may be shaved at the time of the rotation of the coupling. However, the spring force other than this range may be employed depending on the conditions, such as the wire diameter
5 and the material of spring, and configuration and material of the coupling. In addition, it is not limited to the torsion coil spring.

More particularly, the spring 15159 (elastic material) elastically urges the coupling 15150. The
10 elastic force thereof is such that it can maintain the coupling 15150 at the pre-engagement angular position, while it permits moving the coupling from the pre-engagement angular position to the rotational force transmitting angular position (Figure 78 (b)), and it
15 permits moving the coupling 15150 from the rotational force transmitting angular position to the disengaging angular position (Figure 78 (c)).

This applies also to the spring (elastic material) 4159 described by the embodiment of the
20 embodiment 3 and so on.

Further, the cartridge B has the inclination regulating portion for regulating the inclining direction of the coupling. Since this structure is the same as that of Embodiment 11, the description is
25 omitted for simplicity.

As shown in Figure 77, the couplings 15150 differ from the coupling 12150 described in Embodiment

10 in the configuration of the driven portion 15150a.

More particularly, an opening 15150m of the driven portion 15150a is provided with the recess 15150z and the flat portion 15150y. The recess 15150z is contacted to the free end portion 180b of the drive shaft 180 (Figure 78 (b)). As shown in Figure 78, when the coupling 15150 reaches the rotational force transmitting angular position (Figure 78 (b)) through the pre-engagement angular position (Figure 78 (a)), the rotational force of the drive shaft 180 will be transmitted to the coupling 15150 through the pin 182. In this embodiment, not the recess 15150z but the drive shaft 180 side is the flat portion 15150y. By this, the peripheral part 182d (Figure 78 (a), (b), (c)) and the flat portion 15150y of the coupling of the pin 182 can be brought close to each other (Figure 78 (b)).

By this, the lengths of the cartridge B and the apparatus main assembly in the direction of the axis L1, L3 can be shortened. Therefore, the cartridge B and the apparatus main assembly can be downsized.

Here, an inner diameter $Z1=\phi$ of the flat portion 15150y of the coupling used by this implementation is about 5mm. In addition, an outer diameter $Z2=\phi$ thereof is approx. 11mm. In addition, a depth $Z3=$ of the flat portion is approx. 0.6mm. In addition, a depth of the recess 15150z of conical

shape is approx. 1.5mm in the top part of conical shape, and the diameter thereof is approx. 5mm. In addition, a weight of the coupling 15150 is approx. 1.5g. In this embodiment, the material of the coupling
5 is polyacetal. However, the values of the size and weight are not inevitable, and the person skilled in the art can select them properly.

In addition, in the present embodiment, the projection 15150d (15150d1, d2) of the coupling is
10 disposed at each of two places. By this, the width measured along the circumference of the entrance portion 150k (150k1, k2) can be enlarged. Therefore, the entrance of the pin 182 to the entrance portion 150k can be smoothed. Although the number of the
15 projections can be selected properly, a plurality of projections are desirable. This is because the rotational force can be transmitted with high precision.

Since the configuration of the coupling other
20 than these and engagement, drive, and disengagement of the coupling by the rotating operation of the rotary are the same as that of those of Embodiment 10, the description is omitted for simplicity.

25 In addition, the structure for inclining the axis of the coupling to the pre-engagement angular position may employ any of the embodiment 2-embodiment

5.

In addition, in this embodiment, the coupling 15150 is provided at the position remote from the axis L1 in the direction perpendicular to the axis L1

5 (Figure 76 (b)).

In this embodiment, the coupling is disposed at such a position. For this reason, the latitude in the design of the apparatus main assembly and the cartridge can be improved. When the coupling is
10 disposed co-axially with the axis L1, the position of the coupling will approach the photosensitive drum. For this reason, it is a constraint to the disposition of the coupling, but in the present embodiment, the constraint from the photosensitive drum is mitigable.

15 As has been described hereinbefore, in this embodiment, the coupling 15150 has a circular flat portion 15150y in the free end side. A recess 15150z is provided in the center O of the flat portion 15150y (circular). The recess 15150z has a conical shape
20 which expands toward the free end side thereof. In addition, projections (rotational force receiving portions) 15150d are disposed at the edge of the circular flat portion 15150y in the position diametrically opposed interposing the center O (two
25 positions). These projections project in the direction of the rotation axis L2 of the coupling. In addition, the pins (rotational force applying portions) 182

project in the directions perpendicular to the axis L3.
(τ) to provide the projections at the two places
opposed to each other, respectively. Any one of the
rotational force receiving surfaces (rotational force
5 receiving portions) 15150e engages with one of the pin
projections 182. And, the other one of the rotational
force receiving surfaces 15150e engages with the other
one of the pin projections 182. By this, from the
drive shaft 180, the coupling 15150 receives the
10 rotational force and rotates.

Here, according to the embodiments described
above, in the structure of moving the cartridge B
(developing roller 110) in the direction substantially
perpendicular to the direction of the axis L3 of the
15 drive shaft 180 in response to in the movement to the
one direction of the rotary C (supporting member
14190), the coupling 150 (1350, 3150, 4150, 5150, 7150,
8150, 9150, 10150, 12150, 13150, 15150 and so on) can
accomplish the coupling, the engagement, and the
20 disengaging operation relative to the drive shaft 180.
This is accomplished because this coupling can take
the next positions as described above : 1. The
rotational force transmitting angular position for
transmitting the rotational force from the apparatus
25 main assembly A to the developing roller 110;; 2. this
pre-engagement angular position inclined from this
rotational force transmitting angular position before

this coupling engages with the rotational force
applying portion ; and 3. The disengaging angular
position inclined toward the opposite side from the
pre-engagement angular position from the rotational
5 force transmitting angular position for the coupling
to disengage from drive shaft.

Here, the rotational force transmitting
angular position is the angular position of the
coupling for transmitting the rotational force for
10 rotating the developing roller 110 to the developing
roller 110.

In addition, the pre-engagement angular
position is the angular position which is inclined
from the rotational force transmitting angular
15 position and which is taken before the drum coupling
member engages with the rotational force applying
portion.

In addition, the disengaging angular position
is the angular position which is inclined toward the
20 opposite side from the pre-engagement angular position
from the rotational force transmitting angular
position and which permits the disengagement of the
coupling from the drive shaft 180.

Here, the meaning "perpendicular
25 substantially" will be described. Here, the
description will be made about "perpendicular
substantially". Between the cartridge b and the

apparatus main assembly A and in order to mount and demount the cartridge B smoothly, small gaps are provided. More specifically and the small gaps are provided between the guide 140R1 and the guide 130R1
5 with respect to the longitudinal direction, between the guide 140R2 and the guide 130R2 with respect to the longitudinal direction, between the guide 140L1 and the guide 130L1 with respect to the longitudinal direction between , and the guide 140L2 and the
10 guide 130L2 with respect to the longitudinal direction. Therefore, at the time of the mounting and demounting of the cartridge B relative to the apparatus main assembly A and the whole cartridge B can slightly incline within the limits of the gaps. For this reason
15 and the perpendicularity is not meant strictly. However, even in such a case, the present invention is accomplished with the effects thereof. Therefore, the term "perpendicular substantially" covers the case where the cartridge slightly inclines.

20 Between the cartridge b and the cartridge accommodating portion 130A, small gaps are provided in order to mount and demount the cartridge B smoothly. more specifically and the small gaps are provided between the guide 140R1 or 140R2 and the guide 130R1
25 with respect to the longitudinal direction, between the guide 140L1 or 140L2 and the guide 130L1 with respect to the longitudinal direction. Therefore, at

the time of the mounting and demounting of the cartridge b relative to the accommodating portion 130A and the whole cartridge B can slightly incline within the limits of the gaps. in addition, in addition and a slight positional deviation may occur between the rotary member C (movable member) and the driving shaft. (180) for this reason, the perpendicularity is not meant strictly. however, even in such a case, the present invention is accomplished with the effects thereof. therefore, the term "perpendicular substantially" covers the case where the cartridge slightly inclines.

It has been described that the axis L2 is slantable or inclinable in any direction relative to the axis L1. However, the axis L2 does not necessarily need to be linearly slantable to the predetermined angle in the full range of 360-degree direction in the coupling 150. For example, the opening 150g can be selected to be slightly wider in the circumferential direction. By doing so, the time of the axis L2 inclining relative to the axis L1, even if it is the case where it cannot incline to the predetermined angle linearly, the coupling 150 can rotate to a slight degree around the axis L2. Therefore, it can be inclined to the predetermined angle. In other words, the amount of the play in the rotational direction of the opening 150g is selected properly if necessary.

In this manner, the coupling 150 is revolvable or swingable over the full-circumference substantially relative to the axis L1 of the developing roller 110. More particularly, the coupling 150 is pivotable over
5 the full-circumference thereof substantially relative to the drum shaft 153.

Furthermore, as will be understood from the foregoing explanation, the coupling 150 is capable of whirling in and substantially over the circumferential
10 direction of the drum shaft 153. Here, the whirling motion is not a motion with which the coupling itself rotates about the axis L2, but the inclined axis L2 rotates about the axis L1 of the developing roller although the whirling here does not preclude the
15 rotation of the coupling per se about the axis L2 of the coupling 150.

In addition, as has been described hereinbefore, each coupling has the function of transmitting the rotational force to the developing
20 roller 110.

And, each coupling, it has the rotational force reception surface (rotational force receiving portion) 150e (8150e, 9150e, 9250e, 9350e, 9450e, 15150e) for receiving the rotational force from the
25 drive shaft 180 (1180, 1280, 9180) by engaging with the pin (rotational force applying portion) 182 (1182, 9182). In addition, it has the rotational force

transmitting surface (rotational force transmitting
portion) 150h (1550h, 1450h, 8150h, 9150h, 12150h,
12151h, and so on) which transmits the rotational
force received through the rotational force receiving
5 portion 150e to the developing roller 110. The
rotational force received by the rotational force
transmitting surface 150h is transmitted to the
developing roller 110 through the pin (rotational
force receiving portion) 155 (1155, 1355, 12155).

10 And, this coupling moves from this pre-
engagement angular position to this rotational force
transmitting angular position in response to the
movement of cartridge B at the time of the rotary C
(supporting member 141190) (movable member) rotating
15 in one direction (movement). By this, this coupling is
opposed to this drive shaft. When the rotary C further
rotates in said one direction from the position where
the coupling opposes to the drive shaft (movement),
the coupling moves from the rotational force
20 transmitting angular position to the disengaging
angular position in response to the cartridge B moving.
By this, the coupling disengages from the drive shaft.

 The coupling has the recess 150z (1450z, 1550z,
4150z, 5150z, 15150z, 15150z, and so on) on the
25 rotation axis L2. And, the cartridge B moves in the
direction substantially perpendicular to the axis L1
of the developing roller 110 by the rotation of the

rotary C in said one direction. In response to this, each coupling moves from the pre-engagement angular position to the rotational force transmitting angular position, so that a part of coupling (downstream free end position 150A1, 1850A1, 4150A1, 5150A1, 8150A1, 12150A1 and so on) which is the downstream portion with respect to the rotational direction of the rotary C is permitted to circumvent the drive shaft. By this, the recess covers the free end of the drive shaft. And, the rotational force receiving portion engages, in the rotational direction of the coupling, with the rotational force applying portion which projects in the direction perpendicular to the axis of the drive shaft in the free end side of the drive shaft. By this, from the drive shaft, the coupling receives the rotational force and rotates. And, the rotary C further moves to said one direction. By this, the cartridge B moves in the direction substantially perpendicular to the axis L1. It responds to this, the coupling is moved to the disengaging angular position, in the rotational direction, from the rotational force transmitting angular position, so that a part of upstream drive shafts of this coupling member (upstream free end position 150A2, 1750A2, 4150A2, 5150A2, 12150A2 and so on) is permitted circumventing the drive shaft. By this, the coupling disengages from the drive shaft.

The rotational force receiving portions (150e, 15150e, and so on) are disposed, respectively on a phantom circle C1 which has a center O on the rotation axis L1 of this each coupling, at the positions diametrically opposed interposing the center O. The forces received by the couplings by this disposition are force couples. For this reason, the couplings can continue rotary motion only with the force couple. In view of this, each coupling can rotate without determining the position of the rotation axis.

The reference numerals in the drawing which do not appear in the specification are the corresponding members in the case that the alphabets thereof are the same.

The other embodiments:

In this embodiment, although the rotary rotates in the clockwise direction on the drawing (Figure 17, for example), it may rotate in the opposite direction.

In addition, the image forming position (developing position) may be another position.

In addition, the rotary of the present embodiment carries the four color developing cartridges. However, the developing cartridge for the black may be fixed and the cartridges for the other three colors may be carried on the rotary.

In addition, in this embodiment, the

developing roller is a contact development type and uses an elastic roller, but it may be a metal sleeve which contains a magnet roller employed by the jumping development.

5 The developing cartridge and the developing device are provided with the developing roller (or developing means including the developing roller) at least. For this reason, for example, the developing cartridge (developing device) is the developing roller.
10 Or, it may be a cartridge which includes integrally the developing means including the developing roller and the cleaning means and which is detachably mountable to the apparatus main assembly, in addition to the type in the embodiment described above further,
15 it may be a cartridge which includes integrally the developing roller (or developing means including the developing roller) and the charging means and which is detachably mountable to the apparatus main assembly.

 Further, in addition, in this embodiment,
20 although a laser beam printer is taken as an image forming device, the present invention is not limited to this example. For example, the present invention can be used to the other image forming apparatuses, such as an electrophotographic copying machine, a
25 facsimile device, or a word processor. according to the embodiments described above the engagement and disengagement of the coupling are possible in the

direction substantially perpendicular to the axis of the drive shaft provided in the main assembly of the electrophotographic image forming apparatus relative to the drive shaft by the movement in one direction of
5 the movable member (the rotary, for example, the cartridge supporting member, cash drawer).

As has been described hereinbefore, the axis of the coupling can take the different angular positions in the present invention. More particularly,
10 the axis of the coupling can take the pre-engagement angular position, the rotational force transmitting angular position, and the disengaging angular position. The coupling can be engaged with the drive shaft in the direction substantially perpendicular to the axis
15 of the providing-in the main assembly drive shaft by this structure. In addition, the coupling can be disengaged from the drive shaft in the direction substantially perpendicular to the axis of the drive shaft. The present invention can be applied to a
20 developing device, a drum coupling member, and an electrophotographic image forming device.

[INDUSTRIAL APPLICABILITY]

According to the present invention, it is
25 possible to provide a developing apparatus capable of engaging a coupling member provided to the developing apparatus (developing cartridge) with a driving shaft

by moving the developing apparatus (developing
cartridge) in a direction substantially perpendicular
to an axial direction of the driving shaft even in the
case where a main assembly is not provided with a
5 mechanism for moving a main assembly-side coupling
member in the axial direction by a solenoid. According
to the present invention, it is also possible to
provide an electrophotographic image forming apparatus
using the developing apparatus and the coupling member
10 used in the developing apparatus.

CLAIMS:

1. A developing cartridge comprising:

a casing;

a developer roller having a longitudinal axis L1, the developer roller being rotatably supported in the casing to permit rotation about the axis L1; and

a coupling member having a longitudinal axis L2 and having (i) a rotational force transmitting portion for transmitting a rotational force to the developer roller, (ii) a rotational force receiving portion, and (iii) a connecting portion that connects the rotational force receiving portion to the rotational force transmitting portion,

wherein the coupling member is movable between (i) a first position in which the axis L2 of the coupling member is substantially parallel to and offset from the axis L1 of the developer roller so that the axis L2 does not pass through the developer roller, (ii) a second position in which the axis L2 is inclined with respect to the position of the axis L2 when the coupling member is in the first position, (iii) and a third position in which the axis L2 is inclined with respect to the position of the axis L2 when the coupling member is in the first position and in a direction opposite to the direction the coupling member is inclined when in the second position.

2. A developing cartridge according to Claim 1, further comprising an urging member that biases the coupling member to the second position.

3. A developing cartridge according to Claim 2, wherein the urging member is a torsion spring that contacts the connecting portion of the coupling member.

4. A developing cartridge according to Claim 1, wherein, when the coupling member is in the second position or the third position, the axis L2 of the coupling member is inclined from about 20 degrees to about 60 degrees with respect to the position of the axis L2 when the coupling member is in the first position.

5. A developing cartridge according to Claim 1, wherein an angle at which the axis L2 is inclined when the coupling member is in the second position is different than the angle at which the axis L2 is inclined when the coupling member is in the third position.

6. A developing cartridge according Claim 1, wherein the rotational force receiving portion comprises a surface that is substantially perpendicular to the axis L2, and exactly two projections extending from the surface at diametrically opposed positions.

7. A developing cartridge according to Claim 6, wherein each projection has a tip defined by at least one slanted surface.

8. A developing cartridge according to Claim 6, wherein the surface includes an opening to a recess, with the recess including a surface facing away from the rotational force transmitting portion.
9. A developing cartridge according to Claim 6, further comprising: a first gear; and a second gear in meshing engagement with the first gear, wherein the first gear is connected to the developer roller and the second gear is connected to the coupling member.
10. A developing cartridge according to Claim 9, wherein the second gear is connected to the coupling member such that the coupling member can partially rotate about the axis L2 without transmitting a force to the second gear.
11. A developing cartridge according to Claim 1, wherein the coupling member can be inclined in substantially any direction relative to the first position.
12. A developing cartridge according to Claim 1, wherein the coupling member is made from a resin material.
13. A developing cartridge according to Claim 1, wherein the coupling member is made from a metallic material.
14. An image forming apparatus cartridge, comprising:
 - a casing;
 - a rotatable structure having a longitudinal axis L1, the rotatable structure being rotatably supported in the casing to permit rotation about the axis L1; and
 - a coupling member having a longitudinal axis L2 and having (i) a rotational force for transmitting a rotational force to the rotatable structure, (ii) a rotational force receiving portion, and (iii) a connecting portion that connects the rotational force receiving portion to the rotational force transmitting portion,wherein the coupling member is movable between (i) a first position in which the axis L2 of the coupling member is substantially parallel to and offset from the axis L1 of the rotatable structure so that the axis L2 does not pass through the rotatable structure when the coupling member is in the first position, (ii) a second position in which the axis L2 is inclined with respect to the position of the axis L2 when the coupling member is in the first position, (iii) and a third position in which the axis L2 is inclined with respect to the position of the axis L2 when the coupling member is in the first position and in a direction opposite to the direction the coupling member is inclined when in the second position.
15. The cartridge according to Claim 14, further comprising a developer chamber, and wherein the rotatable structure is a developer roller.
16. A developing cartridge comprising:
 - a casing;

a developer roller having a longitudinal axis L1, the developer roller being rotatably supported in the casing to permit rotation about the axis L1; and

a coupling member having (i) a rotational force transmitting portion for transmitting a rotational force to the developer roller, (ii) a rotational force receiving portion, and (iii) a connecting portion that connects the rotational force receiving portion to the rotational force transmitting portion,

wherein the rotational force receiving portion comprises (i) a surface substantially perpendicular to a longitudinal axis L2 of the coupling member, (ii) an opening in the surface to a recess, and (iii) two projections extending from the surface in a direction substantially parallel to the axis L2, with the projections extending from opposed positions on the surface, and

wherein the recess includes a surface that is slanted with respect to the axis L2.

17. A developing cartridge according to Claim 16, further comprising: a first gear; and a second gear in meshing engagement with the first gear, wherein the first gear is connected to the developing roller and the second gear is connected to the coupling member.

18. A developing cartridge according to Claim 17, wherein the second gear is connected to the coupling member such that the coupling member can partially rotate about the axis L2 without transmitting a force to the second gear.

19. A developing cartridge according to Claim 16, further comprising an urging member contacting the connecting portion of the coupling member.

20. A developing cartridge according to Claim 19, wherein the urging member is a torsion spring.

21. A developing cartridge according to Claim 16, wherein the recess has a conical shape.

22. A developing cartridge according to Claim 16, wherein the coupling member is made from a resin material.

23. A developing cartridge according to Claim 16, wherein the coupling member is made from a metallic material.

24. A developing cartridge according to Claim 16, wherein each projection has a tip defined by at least one slanted surface.

25. A developing cartridge comprising:

a casing;

a developer roller having a longitudinal axis L1, the developer roller being rotatably supported in the casing to permit rotation about the axis L1;

a coupling member having (i) a rotational force transmitting portion for transmitting a rotational force to the developer roller, (ii) a rotational force receiving portion, and (iii) a

connecting portion that connects the rotational force receiving portion to the rotational force transmitting portion; and

an urging member that contacts the coupling member,

wherein the coupling member is movable between a first position, and a second position in which the axis L2 is inclined with respect to the position of the axis L2 when the coupling member is in the first position, and

wherein the urging member biases the coupling member to the second position.

26. A developing cartridge according to Claim 25, wherein the urging member is a torsion spring.

27. A developing cartridge according to Claim 25, the force receiving portion comprises at least one pair of projections extending substantially in the same direction as the axis L2 away from the connecting portion.

28. A developing cartridge according to Claim 25, the force receiving portion comprises a recess having a surface facing away from the rotational force transmitting portion.

29. A developing cartridge according to Claim 25, further comprising: a first gear; and a second gear in meshing engagement with the first gear, wherein the first gear is connected to the developer roller and the second gear is connected to the coupling member.

30. A developing cartridge according to Claim 29, wherein the second gear is connected to the coupling member such that the coupling member can partially rotate about the axis L2 without transmitting a force to the second gear.

31. A developing cartridge according to Claim 25, wherein the coupling member is made from a resin material.

32. A developing cartridge according to Claim 25, wherein the coupling member is made from a metallic material.

33. A developing cartridge comprising:

a casing;

a developer roller having a longitudinal axis L1, the developer roller being rotatably supported in the casing to permit rotation about the axis L1;

a coupling member having a longitudinal axis L2 and having (i) a rotational force transmitting portion for transmitting a rotational force to the developer roller, (ii) a rotational force receiving portion, and (iii) a connecting portion that connects the rotational force receiving portion to the rotational force transmitting portion; and

a force transmitting structure, having an axis L3, connected to the developer roller and to the coupling member,

wherein the coupling member can be inclined in any direction relative to the axis L3, and the coupling member can partially rotate about the axis L2 without transmitting a force to the force transmitting structure.

34. A developing cartridge according to Claim 33, wherein the force transmitting structure is a gear.

35. A developing cartridge according to Claim 33, wherein the force transmitting structure is a member associated with an end of the developer roller.

36. A developing cartridge according to Claim 33, wherein the force transmitting structure is a shaft of the developer roller.

37. A developing cartridge according to Claim 33, wherein the coupling member is made from a resin material.

38. A developing cartridge according to Claim 33, wherein the coupling member is made from a metallic material.

39. A developing cartridge comprising:

a casing;

a developer roller having a longitudinal axis L1 and a shaft with an end extending from the developer roller, the developer roller being rotatably supported in the casing to permit rotation about the axis L1; and

a coupling member having (i) a rotational force transmitting portion for transmitting a rotational force to the developer roller via the shaft, (ii) a rotational force receiving portion, and (iii) a connecting portion that connects the rotational force receiving portion to the rotational force transmitting portion;

wherein the coupling member is movable between (i) a first position, (ii) a second position in which the axis L2 is inclined from the position of the axis L2 when the coupling member is in the first position, (iii) and a third position in which the coupling member is inclined from position of the axis L2 when the coupling member is in the first position and in a direction opposite to the direction the coupling member is inclined in the second position,

wherein the coupling member is linearly movable in the direction of axis L2, wherein the force receiving portion comprises one pair of projections extending substantially in the same direction as the axis L2 away from the connecting portion, each projection having the same length L and having a tip,

wherein, when the coupling member moves from the first position to either the second position or the third position, the tip of one projection moves at least about the distance L in the direction of axis L2 through the combination of linear movement and inclining of the coupling member, and wherein, when the coupling member is in the second position or third position, at

least one of the projections is farther from the developer roller than the end of the shaft is from the developer roller.

40. A developing cartridge according to Claim 39, wherein the developing cartridge further comprises a spring biasing the coupling member away from the casing along the axis L2.

41. A developing cartridge according to Claim 39, wherein the force receiving portion of the coupling member has a recess, the recess being coaxial with the axis L2.

42. A developing cartridge according to Claim 39, wherein each projection has a tip defined by at least one slanted surface.

43. A developing cartridge according to Claim 39, wherein the coupling member is made from a resin material.

44. A developing cartridge according to Claim 39, wherein the coupling member is made from a metallic material.

45. A developing cartridge comprising:

a casing,

a developer roller having a longitudinal axis L1, the developer roller being rotatably supported in the casing to permit rotation about the axis L1; and

a coupling member having (i) a rotational force transmitting portion associated with the developer roller so as to transmit a rotational force to the developer roller, (ii) a rotational force receiving portion, and (iii) a connecting portion that connects the rotational force receiving portion to the rotational force transmitting portion,

wherein the coupling member is movable between a first position, and a second position in which the axis L2 is inclined from the axis L2 when the coupling member is in the first position,

wherein the rotational force receiving portion comprises two projections extending away from the connecting portion in a direction substantially parallel to the longitudinal axis L2, each projection having a tip defined by at least one surface slanted with respect to the longitudinal axis L2 and being a part of the projection farthest from the developer roller when the coupling member is in the first position, and

wherein, when the coupling member is in the first position, the tip of each projection is the same distance from the casing.

46. A developing cartridge according to Claim 45, wherein the rotational force receiving portion comprises a surface substantially perpendicular to a longitudinal axis L2 of the coupling member, and wherein the projections extend from opposed positions on the surface.

47. An image forming apparatus comprising:

a developing cartridge including

a casing;

a developer roller having a longitudinal axis L1, the developer roller being rotatably supported in the casing to permit rotation about the axis L1; and

a coupling member having a longitudinal axis L2 and having (i) a rotational force transmitting portion for transmitting a rotational force to the developer roller, (ii) a rotational force receiving portion, and (iii) a connecting portion that connects the rotational force receiving portion to the rotational force transmitting portion,

wherein the coupling member is movable between (i) a first position in which the axis L2 of the coupling member is substantially parallel to and offset from the axis L1 of the developer roller so that the axis L2 does not pass through developer roller, (ii) a second position in which the axis L2 is inclined with respect to the position of the axis L2 when the coupling member is in the first position, (iii) and a third position in which the axis L2 is inclined with respect to the position of the axis L2 when the coupling member is in the first position and in a direction opposite to the direction the coupling member is inclined when in the second position;

a driving motor; and

a driving shaft engageable with the rotational force receiving portion of the coupling member of the developing cartridge.

48. A developing cartridge according to Claim 16, wherein the recess has a rotationally symmetric shape.

49. A developing cartridge according to Claim 16, wherein the recess has a semi-spherical shape.

50. A developing cartridge according to Claim 16, wherein the recess is coaxial with the axis L2.

51. A developing cartridge according to Claim 16, wherein the slanted surface of the recess forms an angle of about 60 Degree with respect to the axis L2.

52. A developing cartridge according to Claim 16, wherein the maximum outer diameter of the force receiving portion is about 15 mm.

53. A developing cartridge according to Claim 16, wherein the force receiving portion has at least one pair of projections extending substantially in the same direction as axis L2 away from the connecting portion, and wherein the diameter of an imaginary circle tangent to the inner surface of each of the projections is about 10 mm.

54. A developing cartridge according to Claim 16, wherein the coupling member is formed from at least one of a resin material, a fiber-reinforced resin material, and a metallic material.

55. A developing cartridge according to Claim 16, wherein the diameter of an imaginary circle that is tangent to the inner surface of each of the projections is greater than a maximum dimension of the connecting portion in a direction perpendicular to the axis L2.
56. A developing cartridge according to Claim 28, wherein the recess has a rotationally symmetric shape.
57. A developing cartridge according to Claim 28, wherein the recess has one of a semi-spherical shape and a conical shape.
58. A developing cartridge according to Claim 39, wherein the tips of the projections are defined by at least one slanted surface.
59. A developing cartridge according to Claim 58, wherein the tips of the projections are defined by at least two slanted surfaces.
60. A developing cartridge according to Claim 39, wherein the tip of each projection is defined by the at least one slanted surface and a surface perpendicular to the axis L2 when the coupling member is in the first position.
61. A developing cartridge according to Claim 39, wherein a maximum angle of inclination of the axis L2 with respect to the axis L1 is less than 35 degrees.
62. A developing cartridge according to Claim 39, wherein the diameter of an imaginary circle that is tangent to the inner surface of each of the projections is greater than a maximum dimension of the connecting portion in a direction perpendicular to the axis L2.
63. A developing cartridge according to Claim 41, wherein the recess has one of a semi-spherical shape and a conical shape.
64. A developing cartridge according to Claim 41, wherein the recess has a rotationally symmetric shape,
65. A developing cartridge comprising:
- a casing;
 - a developer roller having a longitudinal axis L1, the developer roller being rotatably supported in the casing to permit rotation about the axis L1; and
 - a coupling member having (i) a rotational force transmitting portion for transmitting a rotational force to the developer roller, (ii) a rotational force receiving portion, and (iii) a connecting portion that connects the rotational force receiving portion to the rotational force transmitting portion,
- wherein the rotational force receiving portion comprises (i) a surface substantially perpendicular to a longitudinal axis L2 of the coupling member, (ii) an opening in the surface to

a recess, and (iii) two projections extending substantially parallel to the longitudinal axis L2 away from the surface, with the projections extending from opposed positions on the surface,

wherein the recess includes a surface that expands in size as the distance from the developer roller increases.

66. A developing cartridge according to Claim 65, further comprising: a first gear; a second gear in meshing engagement with the first gear, wherein the first gear is connected to the developer roller and the second gear is connected to the coupling member.

67. A developing cartridge according to Claim 65, wherein the second gear is connected to the coupling member such that the coupling member can partially rotate about the axis L2 relative to the second gear.

68. A developing cartridge according to Claim 65, further comprising an urging member contacting the connecting portion of the coupling member.

69. A developing cartridge according to Claim 68, wherein the urging member is a torsion spring.

70. A developing cartridge according to Claim 65, wherein the recess has one of a semi-spherical shape and a conical shape.

71. A developing cartridge according to Claim 65, wherein the coupling member is formed from at least one of a resin material, a fiber-reinforced resin material and a metallic material.

72. A developing cartridge according to Claim 65, wherein each projection has a tip defined by at least one slanted surface.

73. A developing cartridge according to Claim 65, wherein, if the distance along the axis L2 between a portion of the recess closest to the developer roller and a plane that touches the tips of the projections is defined as distance D, when the coupling member moves from the first position to the second position or the third position the tip of one projection moves at least about the distance D closer to the developer roller along the axis L2, than when the coupling member is in the first position.

74. A developing cartridge according to Claim 65, wherein the coupling member is linearly movable toward the developer roller in the direction of the axis L1, and wherein when the coupling member moves from the first position to the second position, the tip of the one projection moves the distance D through a combination of linear movement and inclining of the coupling member.

75. A developing cartridge according to Claim 74, wherein the process cartridge further comprises a spring for biasing the coupling member away from the developer roller along the axis L1.

76. A developing cartridge according to Claim 65, wherein the rotational force transmitting portion, the rotational force receiving portion, and the connecting portion are integrally formed.

77. A developing cartridge according to Claim 65, wherein the rotational force transmitting portion, the rotational force receiving portion, and the connecting portion are separate parts connected together.

78. A developing cartridge according to Claim 65, wherein the recess has a rotationally symmetric shape.

79. A developing cartridge according to Claim 65, wherein the recess is coaxial with the axis L2.

80. A developing cartridge according to Claim 65, wherein the expanding surface of the recess forms an angle of about 60 Degree, with respect to the axis L2.

81. A developing cartridge according to Claim 65, wherein a maximum outer diameter of the force receiving portion is about 15 mm.

82. A developing cartridge according to Claim 65, wherein the diameter of an imaginary circle tangent to the inner surface of each of the projections is about 10 mm.

83. A developing cartridge according to Claim 65, wherein the diameter of an imaginary circle that is tangent to the inner surface of each of the projections is greater than a maximum dimension of the connecting portion in a direction perpendicular to the axis L2.

84. A developing cartridge comprising:

a casing,

a developer roller having a longitudinal axis L1, the developer roller being rotatably supported in the casing to permit rotation about the axis L1; and

a coupling member having (i) a rotational force transmitting portion associated with the developer roller so as to transmit a rotational force to the developer roller, (ii) a rotational force receiving portion, and (iii) a connecting portion that connects the rotational force receiving portion to the rotational force transmitting portion,

wherein the coupling member is movable between a first position, and a second position in which the axis L2 is inclined from the axis L2 when the coupling member is in the first position,

wherein the rotational force receiving portion comprises two projections extending away from the connecting portion in a direction substantially parallel to the longitudinal axis L2, each projection having a tip that is narrower than a portion of the projection closer to the developer roller when the coupling member is in the first position; and

wherein, when the coupling member is in the first position, the tip of each projection is the same distance from the casing.

85. A developing cartridge according to Claim 84, wherein the rotational force receiving portion comprises a surface substantially perpendicular to a longitudinal axis L2 of the coupling member, and wherein the projections extend from opposed positions on the surface.

86. A developing cartridge comprising:

a casing;

a developer roller having an axis L1, the developer roller being rotatably supported in the casing to permit rotation about the axis L1; and

a coupling member having an axis L2, the coupling member having (i) a first end portion operatively connected with the developer roller, (ii) a second end portion, and (iii) a connecting portion connecting the first end portion and the second end portion,

wherein the coupling member is movable between a first position in which the axis L2 of the coupling member is substantially parallel to and offset from the axis L1 of the developer roller, and a second position in which the axis L2 of the coupling member is inclined with respect to the axis L2 when the coupling member is in the first position, and

wherein a maximum angle of inclination of the axis L2 with respect to the axis L1 is about 20 degrees to about 60 degrees.

87. A developing cartridge according to Claim 86, wherein said first end portion is capable of transmitting a rotational force to the developer roller.

88. A developing cartridge according to Claim 86, wherein, when the coupling member is in the second position, a portion of the axis L2 at the second end portion side of the coupling member is nearer to the axis L1 than a portion of the axis L2 at the first end portion side of the coupling member.

89. A developing cartridge according to Claim 88, wherein the coupling member is movable to a third position in which the axis L2 is inclined with respect to the position of the axis L2 when the coupling member is in the first position and in a direction opposite to the direction in which the coupling member is inclined when in the second position.

90. A developing cartridge according to Claim 89, wherein, when the coupling member is in the third position, a portion of the axis L2 at the first end portion side of the coupling member is nearer to the axis L1 than a portion of the axis L2 at the second end portion side of the coupling member.

91. A developing cartridge according to Claim 90, wherein the casing comprises a guide portion capable of guiding the coupling member toward the second position.

92. A developing cartridge according to Claim 91, further comprising a contact portion capable of contacting the coupling member to position the coupling member at the second position.

93. A developing cartridge according to Claim 92, wherein the casing provides the contact portion.
94. A developing cartridge according to Claim 90, wherein when the coupling member is in the third position, the axis L2 of the coupling member is inclined from about 20 degrees to about 60 degrees with respect to the position of the axis L2 when the coupling member is in the first position.
95. A developing cartridge according Claim 90, wherein the second end portion comprises a surface that is substantially perpendicular to the axis L2, and two projections extending from the surface at diametrically opposed positions.
96. A developing cartridge according to Claim 95, wherein the surface includes an opening to a recess, with the recess including a surface facing away from the first end portion.
97. A developing cartridge according to Claim 86, wherein the projection includes a surface at least a portion of which overhangs a portion of the second end portion.
98. A developing cartridge according to Claim 90, further comprising: a first gear connected to the developer roller; and a second gear connected to the coupling member and in meshing engagement with the first gear.
99. A developing cartridge according to Claim 98, wherein the second gear is connected to the coupling member such that the coupling member can partially rotate about the axis L2 without transmitting a force to the second gear.
100. A developing cartridge according to Claim 99, wherein the second gear has a hollow portion, and at least part of the first end portion of the coupling member is in the hollow portion of the second gear.
101. A developing cartridge according to Claim 100, wherein at least the part of the first end portion of the coupling member is supported by the hollow portion.
102. A developing cartridge according to Claim 101, wherein the first end portion of the coupling member comprises substantially a spherical shape.
103. A developing cartridge according to Claim 102, wherein the connecting portion includes substantially a shaft along the axis L2.
104. A developing cartridge according to Claim 90, further comprising an urging member that biases the coupling member to the second position,
105. A developing cartridge according to Claim 104, wherein the urging member is a torsion spring that contacts the connecting portion of the coupling member.
106. A developing cartridge according to Claim 90 wherein the coupling member can be inclined in substantially any direction relative to the first position.

107. A developing cartridge according to Claim 90, wherein the coupling member is made from a resin material.
108. A developing cartridge according to Claim 90, wherein the resin material is polyacetal.
109. A developing cartridge according to Claim 90, wherein the coupling member is made from a metallic material.
110. A developing cartridge according to Claim 6, wherein the surface has a recess which opens in a direction away from the rotational force transmitting portion.
111. A developing cartridge according to Claim 25, wherein the force receiving portion comprises a recess facing away from the rotational force transmitting portion.
112. A developing cartridge according to Claim 95, wherein the surface has a recess which opens in a direction away from the first end portion.
113. A developing cartridge according to Claim 95, wherein each projection includes a surface at least a portion of which overhangs the surface of the second end portion.
114. A developing cartridge comprising:
- a developer roller having an axis L1, the developer roller being rotatable about the axis L1; and
 - a coupling member having an axis L2, the coupling member having (i) a first end portion operatively connected with the developer roller, (ii) a second end portion, and (iii) a connecting portion connecting the first end portion and the second end portion,
- wherein the coupling member is movable between a first position in which the axis L2 of the coupling member is substantially parallel to and offset from the axis L1 of the developer roller, and a second position in which the axis L2 of the coupling member is inclined with respect to the axis L2 when the coupling member is in the first position, and
- wherein when the coupling member is in the second position, the axis L2 of the coupling member is inclined from about 20 degrees to about 60 degrees with respect to the position of the axis L2 when the coupling member is in the first position.
115. A developing cartridge according to Claim 114, wherein said first end portion is capable of transmitting a rotational force to the developer roller.
116. A developing cartridge according to Claim 115, wherein, when the coupling member is in the second position, a portion of the axis L2 at the second end portion side of the coupling member is nearer to the axis L1 than a portion of the axis L2 at the first end portion side of the coupling member.
117. A developing cartridge according to Claim 116, wherein the coupling member is movable to a third position in which the axis L2 is inclined with respect to the position of the axis L2 when

the coupling member is in the first position and in a direction opposite to the direction in which the coupling member is inclined when in the second position.

118. A developing cartridge according to Claim 117, wherein, when the coupling member is in the third position, a portion of the axis L2 at the first end portion side of the coupling member is nearer to the axis L1 than a portion of the axis L2 at the second end portion side of the coupling member.

119. A developing cartridge according to Claim 118, further comprising a casing in which the developer roller is rotatably supported.

120. A developing cartridge according to Claim 119, wherein the casing comprises a bearing member rotatably supporting the developer roller.

121. A developing cartridge according to Claim 120, wherein the casing comprising a contact portion capable of contacting the coupling member to position the coupling member at the second position.

122. A developing cartridge according to Claim 121, wherein the casing comprises a guide portion capable of guiding the coupling member toward the second position.

123. A developing cartridge according to Claim 118, wherein when the coupling member is in the third position, the axis L2 of the coupling member is inclined from about 20 degrees to about 60 degrees with respect to the position of the axis L2 when the coupling member is in the first position.

124. A developing cartridge according Claim 118, wherein the second end portion comprises a surface that is substantially perpendicular to the axis L2, and two projections extending from the surface at diametrically opposed positions.

125. A developing cartridge according to Claim 124, wherein the surface includes an opening to a recess, with the recess including a surface facing away from the first end portion.

126. A developing cartridge according to Claim 124, wherein each projection includes a surface at least a portion of which overhangs a portion of the second end portion.

127. A developing cartridge according to Claim 118, further comprising: a first gear connected to the developer roller; and a second gear connected to the coupling member and in meshing engagement with the first gear.

128. A developing cartridge according to Claim 127, wherein the second gear is connected to the coupling member such that the coupling member can partially rotate about the axis L2 without transmitting a force to the second gear.

129. A developing cartridge according to Claim 128, wherein the second gear has a hollow portion, and at least part of the first end portion of the coupling member is in the hollow portion of the second gear.

130. A developing cartridge according to Claim 129, wherein at least the part of the first end portion of the coupling member is supported by the hollow portion.

131. A developing cartridge according to Claim 130, wherein the first end portion of the coupling member comprises substantially a spherical shape.

132. A developing cartridge according to Claim 131, wherein the connecting portion includes substantially a shaft along the axis L2.

133. A developing cartridge according to Claim 118, further comprising an urging member that biases the coupling member to the second position.

134. A developing cartridge according to Claim 133, wherein the urging member is a torsion spring that contacts the connecting portion of the coupling member.

135. A developing cartridge according to Claim 118, wherein the coupling member can be inclined in substantially any direction relative to the first position.

136. A developing cartridge according to Claim 118, wherein the coupling member is made from a resin material.

137. A developing cartridge according to Claim 136, wherein the resin material is polyacetal.

138. A developing cartridge according to Claim 118, wherein the coupling member is made from a metallic material.

139. A developing cartridge according to Claim 125, wherein the surface has a recess which opens in a direction away from the first end portion.

140. A developing cartridge according to Claim 124, wherein each projection includes a surface at least a portion of which overhangs the surface of the second end portion.

141. A developing cartridge comprising:

a developer roller having an axis L1, the developer roller being rotatable about the axis L1; and

a coupling member having an axis L2, the coupling member having (i) a first end portion operatively connected with the developer roller, (ii) a second end portion, and (iii) a connecting portion connecting the first end portion and the second end portion,

wherein the coupling member is movable between a first position in which the axis L2 of the coupling member is substantially parallel to and offset from the axis L1 of the developer roller, and a second position in which the axis L2 of the coupling member is inclined with respect to the axis L2 when the coupling member is in the first position, and

wherein when the coupling member is in the second position, the axis L2 of the coupling member is inclined at least about 20 degrees with respect to the position of the axis L2 when the coupling member is in the first position.

142. A developing cartridge according to Claim 141, wherein said first end portion is capable of transmitting a rotational force to the developer roller.

143. A developing cartridge according to Claim 142, wherein, when the coupling member is in the second position, a portion of the axis L2 at the second end portion side of the coupling member is nearer to the axis L1 than a portion of the axis L2 at the first end portion side of the coupling member.

144. A developing cartridge according to Claim 143, wherein the coupling member is movable to a third position in which the axis L2 is inclined with respect to the position of the axis L2 when the coupling member is in the first position and in a direction opposite to the direction in which the coupling member is inclined when in the second position.

145. A developing cartridge according to Claim 144, wherein, when the coupling member is in the third position, a portion of the axis L2 at the first end portion side of the coupling member is nearer to the axis L1 than a portion of the axis L2 at the second end portion side of the coupling member.

146. A developing cartridge according to Claim 145, further comprising a casing in which the developer roller is rotatably supported.

147. A developing cartridge according to Claim 146, wherein the casing comprises a bearing member rotatably supporting the developer roller.

148. A developing cartridge according to Claim 147, wherein the casing comprises a contact portion capable of contacting the coupling member to position the coupling member at the second position.

149. A developing cartridge according to Claim 148, wherein the casing comprises a guide portion capable of guiding the coupling member toward the second position.

150. A developing cartridge according to Claim 145, wherein when the coupling member is in the third position, the axis L2 of the coupling member is inclined at least about 20 degrees with respect to the position of the axis L2 when the coupling member is in the first position.

151. A developing cartridge according Claim 145, wherein the second end portion comprises a surface that is substantially perpendicular to the axis L2, and two projections extending from the surface at diametrically opposed positions.

152. A developing cartridge according to Claim 151, wherein the surface includes an opening to a recess, with the recess including a surface facing away from the first end portion.

153. A developing cartridge according to Claim 151, wherein each projection includes a surface at least a portion of which overhangs a portion of the second end portion.

154. A developing cartridge according to Claim 145, further comprising: a first gear connected to the developer roller; and a second gear connected to the coupling member and in meshing engagement with the first gear.
155. A developing cartridge according to Claim 154, wherein the second gear is connected to the coupling member such that the coupling member can partially rotate about the axis L2 without transmitting a force to the second gear.
156. A developing cartridge according to Claim 155, wherein the second gear has a hollow portion, and at least part of the first end portion of the coupling member is in the hollow portion of the second gear.
157. A developing cartridge according to Claim 156, wherein at least the part of the first end portion of the coupling member is supported by the hollow portion.
158. A developing cartridge according to Claim 157, wherein the first end portion of the coupling member comprises substantially a spherical shape.
159. A developing cartridge according to Claim 158, wherein the connecting portion includes substantially a shaft along the axis L2.
160. A developing cartridge according to Claim 145, further comprising an urging member that biases the coupling member to the second position.
161. A developing cartridge according to Claim 160, wherein the urging member is a torsion spring that contacts the connecting portion of the coupling member.
162. A developing cartridge according to Claim 145, wherein the coupling member can be inclined in substantially any direction relative to the first position.
163. A developing cartridge according to Claim 145, wherein the coupling member is made from a resin material.
164. A developing cartridge according to Claim 163, wherein the resin material is polyacetal.
165. A developing cartridge according to Claim 145, wherein the coupling member is made from a metallic material.
166. A developing cartridge according to Claim 151, wherein the surface has a recess which opens in a direction away from the first end portion.
167. A developing cartridge according to Claim 151, wherein each projection includes a surface at least a portion of which overhangs the surface of the second end portion.
168. A developing cartridge according to Claim 141, wherein, when the coupling member is in the second position, the axis L2 of the coupling member is not greater than about 60 degrees with respect to the position of the axis L2 when the coupling member is in the first position.

169. A developing cartridge according to Claim 150, wherein, when the coupling member is in the third position, the axis L2 of the coupling member is not greater than about 60 degrees with respect to the position of the axis L2 when the coupling member is in the first position.

170. A developing cartridge comprising:

a casing;

a developer roller having an axis L1, the developer roller being rotatably supported in the casing to permit rotation about the axis L1; and

a coupling member having an axis L2, the coupling member having (i) a first end portion operatively connected with the developer roller, (ii) a second end portion, and (iii) a connecting portion connecting the first end portion and the second end portion,

wherein the coupling member is movable between a first position in which the axis L2 of the coupling member is substantially parallel to and offset from the axis L1 of the developer roller, and a second position in which the axis L2 of the coupling member is inclined with respect to the axis L2 when the coupling member is in the first position, and

wherein the maximum angle of inclination of the axis L2 with respect to the axis L1 is limited by contact between the coupling member and the casing.

171. A developing cartridge according to Claim 170, wherein said first end portion is capable of transmitting a rotational force to the developer roller.

172. A developing cartridge according to Claim 171, further comprising a fixed contact portion that is fixed to the casing, wherein the maximum angle of inclination of the coupling member is limited by contact between the coupling member and the fixed contact portion.

173. A developing cartridge according to Claim 170, wherein the casing comprises a bearing member rotatably supporting the developer roller.

174. A developing cartridge according to Claim 170, wherein the casing comprises a guide portion capable of guiding the coupling member toward the second position.

175. A developing cartridge according Claim 170, wherein the second end portion comprises a surface that is substantially perpendicular to the axis L2, and two projections extending from the surface at diametrically opposed positions.

176. A developing cartridge according to Claim 175, wherein the surface has a recess which opens in a direction away from the first end portion.

177. A developing cartridge according to Claim 175, wherein each projection includes a surface at least a portion of which overhangs a portion of the second end portion.

178. A developing cartridge according to Claim 170, further comprising: a first gear connected to the developer roller; and a second gear connected to the coupling member and in meshing engagement with the first gear.

179. A developing cartridge according to Claim 178, wherein the second gear is connected to the coupling member such that the coupling member can partially rotate about the axis L2 without transmitting a force to the second gear.

180. A developing cartridge according to Claim 179, wherein the second gear has a hollow portion, and at least part of the first end portion of the coupling member is in the hollow portion of the second gear.

181. A developing cartridge according to Claim 180, wherein at least the part of the first end portion of the coupling member is supported by the hollow portion.

182. A developing cartridge according to Claim 181, wherein the first end portion of the coupling member comprises substantially a spherical shape.

183. A developing cartridge according to Claim 182, wherein the connecting portion includes substantially a shaft along the axis L2.

184. A developing cartridge according to Claim 170, further comprising an urging member that biases the coupling member to the second position.

185. A developing cartridge according to Claim 184, wherein the urging member is a torsion spring that contacts the connecting portion of the coupling member.

186. A developing cartridge according to Claim 170, wherein the coupling member can be inclined in substantially any direction relative to the first position.

187. A developing cartridge according to Claim 170, wherein the coupling member is made from a resin material.

188. A developing cartridge according to Claim 187, wherein the resin material is polyacetal.

189. A developing cartridge according to Claim 170, wherein the coupling member is made from a metallic material.

190. A developing cartridge according to Claim 175, wherein each projection includes a surface at least a portion of which overhangs the surface of the second end portion.

191. A developing cartridge according to Claim 170, wherein the maximum angle of inclination of the coupling member is from about 20 degrees to about 60 degrees with respect to the position of the axis L2 when the coupling member is in the first position.

192. A developing cartridge according to Claim 172, wherein the casing comprises a bearing member rotatably supporting the developer roller.

193. A developing cartridge according to Claim 172, wherein the casing comprises a guide portion capable of guiding the coupling member toward the second position.
194. A developing cartridge according Claim 172, wherein the second end portion comprises a surface that is substantially perpendicular to the axis L2, and two projections extending from the surface at diametrically opposed positions.
195. A developing cartridge according to Claim 194, wherein the surface has a recess which opens in a direction away from the first end portion.
196. A developing cartridge according to Claim 194, wherein each projection includes a surface at least a portion of which overhangs a portion of the second end portion.
197. A developing cartridge according to Claim 172, further comprising: a first gear connected to the developer roller; and a second gear connected to the coupling member and in meshing engagement with the first gear.
198. A developing cartridge according to Claim 197, wherein the second gear is connected to the coupling member such that the coupling member can partially rotate about the axis L2 without transmitting a force to the second gear.
199. A developing cartridge according to Claim 198, wherein the second gear has a hollow portion, and at least part of the first end portion of the coupling member is in the hollow portion of the second gear.
200. A developing cartridge according to Claim 199, wherein at least the part of the first end portion of the coupling member is supported by the hollow portion.
201. A developing cartridge according to Claim 200, wherein the first end portion of the coupling member comprises substantially a spherical shape.
202. A developing cartridge according to Claim 201, wherein the connecting portion includes substantially a shaft along the axis L2.
203. A developing cartridge according to Claim 172, further comprising an urging member that biases the coupling member to the second position.
204. A developing cartridge according to Claim 202, wherein the urging member is a torsion spring that contacts the connecting portion of the coupling member.
205. A developing cartridge according to Claim 172, wherein the coupling member can be inclined in substantially any direction relative to the first position.
206. A developing cartridge according to Claim 172, wherein the coupling member is made from a resin material.
207. A developing cartridge according to Claim 206, wherein the resin material is polyacetal.

208. A developing cartridge according to Claim 172, wherein the coupling member is made from a metallic material.

209. A developing cartridge according to Claim 194, wherein each projection includes a surface at least a portion of which overhangs the surface of the second end portion.

210. A developing cartridge according to Claim 172, wherein the maximum angle of inclination of the coupling member is from about 20 degrees to about 60 degrees with respect to the position of the axis L2 when the coupling member is in the first position.

211. A developing cartridge comprising:

a developer roller having an axis L1, the developer roller being rotatable about the axis L1; and

a coupling member having an axis L2, the coupling member having (i) a first end portion operatively connected with the developer roller, (ii) a second end portion, and (iii) a connecting portion connecting the first end portion and the second end portion,

wherein the coupling member is movable between a first position in which the axis L2 of the coupling member is substantially parallel to and offset from the axis L1 of the developer roller, and a second position in which the axis L2 of the coupling member is inclined with respect to the axis L2 when the coupling member is in the first position and in which a portion of the axis L2 at the second end portion side of the coupling member is nearer to the axis L1 than a portion of the axis L2 at the first end portion side of the coupling member,

wherein the second end portion comprises a pair of projections, each projection including a tip and each projection being projected away from the first end portion, and

wherein, if a first plane is defined as a plane that includes both the axis L2 when the coupling member is in the first position and the axis L2 when the coupling member is in the second position, and a second plane is defined as a plane that includes the axis L2 when the coupling member is in the first position and is perpendicular to the first plane,

then when the coupling member is in the first position and the tips of the projections are in the first plane, the projections are positioned on opposite sides of the second plane, and when the coupling member is in the second position and the tips of the projections are in the first plane, the projections are on the same side of the second plane.

212. A developing cartridge according to Claim 211, wherein said first end portion is capable of transmitting a rotational force to the developer roller.

213. A developing cartridge according to Claim 212, wherein the coupling member is movable to a third position in which the axis L2 is inclined with respect to the position of the axis L2 when the coupling member is in the first position and in a direction opposite to the direction in which the coupling member is inclined when in the second position.

214. A developing cartridge according to Claim 213, wherein, when the coupling member is in the third position, a portion of the axis L2 at the first end portion side of the coupling member is nearer to the axis L1 than a portion of the axis L2 at the second end portion side of the coupling member.
215. A developing cartridge according to Claim 214, wherein, when the coupling member is in the third position and the tips of the projections are in the first plane, the projections are positioned on a side opposite to the side on which the projections are positioned when the coupling is in the second position.
216. A developing cartridge according to Claim 214, further comprising a casing in which the developer roller is rotatably supported.
217. A developing cartridge according to Claim 216, wherein the casing comprises a bearing member rotatably supporting the developer roller.
218. A developing cartridge according to Claim 217, wherein the casing comprises a contact portion capable of contacting the coupling member to position the coupling member at the second position.
219. A developing cartridge according to Claim 218, wherein the casing comprises a guide portion capable of guiding the coupling member toward the second position.
220. A developing cartridge according Claim 214, wherein the second end portion comprises a surface that is substantially perpendicular to the axis L2, and two projections extending from the surface at diametrically opposed positions.
221. A developing cartridge according to Claim 220, wherein the surface includes an opening to a recess, with the recess including a surface facing away from the first end portion.
222. A developing cartridge according to Claim 221, wherein each projection includes a surface at least a portion of which overhangs a portion of the second end portion.
223. A developing cartridge according to Claim 214, further comprising: a first gear connected to the developer roller; and a second gear connected to the coupling member and in meshing engagement with the first gear.
224. A developing cartridge according to Claim 223, wherein the second gear is connected to the coupling member such that the coupling member can partially rotate about the axis L2 without transmitting a force to the second gear.
225. A developing cartridge according to Claim 224, wherein the second gear has a hollow portion, and at least part of the first end portion of the coupling member is in the hollow portion of the second gear.
226. A developing cartridge according to Claim 225, wherein at least the part of the first end portion of the coupling member is supported by the hollow portion.

227. A developing cartridge according to Claim 226, wherein the first end portion of the coupling member comprises substantially a spherical shape.
228. A developing cartridge according to Claim 227, wherein the connecting portion includes substantially a shaft along the axis L2.
229. A developing cartridge according to Claim 214, further comprising an urging member that biases the coupling member to the second position.
230. A developing cartridge according to Claim 229, wherein the urging member is a torsion spring that contacts the connecting portion of the coupling member.
231. A developing cartridge according to Claim 214, wherein the coupling member can be inclined in substantially any direction relative to the first position.
232. A developing cartridge according to Claim 214, wherein the coupling member is made from a resin material.
233. A developing cartridge according to Claim 232, wherein the resin material is polyacetal.
234. A developing cartridge according to Claim 214, wherein the coupling member is made from a metallic material.
235. A developing cartridge according to Claim 220, wherein each projection includes a surface at least a portion of which overhangs the surface of the second end portion.
236. A developing cartridge according to Claim 211, wherein when the coupling member is in the second position, the axis L2 of the coupling member is inclined from, about 20 degrees to about 60 degrees with respect to the position of the axis L2 when the coupling member is in the first position.
237. A developing cartridge according to Claim 215, wherein when the coupling member is in the third position, the axis L2 of the coupling member is inclined from about 20 degrees to about 60 degrees with respect to the position of the axis L2 when the coupling member is in the first position.
238. A developing cartridge according to Claim 237, wherein when the coupling member is in the second position, the axis L2 of the coupling member is inclined from about 20 degrees to about 60 degrees with respect to the position of the axis L2 when the coupling member is in the first position.
239. A developing cartridge comprising:
- a developer roller having an axis L1, the developer roller being rotatable about the axis L1; and

a coupling member having an axis L2, the coupling member having (i) a first end portion operatively connected with the developer roller, (ii) a second end portion, and (iii) a connecting portion connecting the first end portion and the second end portion,

wherein the coupling member is movable between a first position in which the axis L2 of the coupling member is substantially parallel to and offset from the axis L1 of the developer roller, and a second position in which the axis L2 of the coupling member is inclined with respect to the axis L2 when the coupling member is in the first position and in which a portion of the axis L2 at the first end portion side of the coupling member is nearer to the axis L1 than a portion of the axis L2 at the second end portion side of the coupling member,

wherein the second end portion comprises a pair of projections, each projection including a tip and each projection being projected away from the first end portion, and

wherein, if a first plane is defined as a plane that includes both the axis L2 when the coupling member is in the first position and the axis L2 when the coupling member is in the second position, and a second plane is defined as a plane that includes the axis L2 when the coupling member is in the first position and is perpendicular to the first plane, then when the coupling member is in the first position and the tips of the projections are in the first plane, the projections are positioned on opposite sides of the second plane, and when the coupling member is in the second position and the tips of the projections are in the first plane, the projections are on the same side of the second plane.

240. A developing cartridge according to Claim 239, wherein said first end portion is capable of transmitting a rotational force to the developer roller.

241. A developing cartridge according to Claim 240, wherein the coupling member is movable to a third position in which the axis L2 is inclined with respect to the position of the axis L2 when the coupling member is in the first position and in a direction opposite to the direction in which the coupling member is inclined when in the second position.

242. A developing cartridge according to Claim 241, wherein, when the coupling member is in the third position, a portion of the axis L2 at the second end portion side of the coupling member is nearer to the axis L1 than a portion of the axis L2 at the first end portion side of the coupling member.

243. A developing cartridge according to Claim 242, wherein, when the coupling member is in the third position and the tips of the projections are in the first plane, the projections are positioned on a side opposite to the side on which the projections are positioned when the coupling is in the second position.

244. A developing cartridge according to Claim 242, further comprising a casing in which the developer roller is rotatably supported.

245. A developing cartridge according to Claim 244, wherein the casing comprises a bearing member rotatably supporting the developer roller.
246. A developing cartridge according to Claim 245, wherein the casing comprises a contact portion capable of contacting the coupling member to position the coupling member at the third position.
247. A developing cartridge according to Claim 246, wherein the casing comprises a guide portion capable of guiding the coupling member toward the third position.
248. A developing cartridge according Claim 242, wherein the second end portion comprises a surface that is substantially perpendicular to the axis L2, and two projections extending from the surface at diametrically opposed positions.
249. A developing cartridge according to Claim 248, wherein the surface includes an opening to a recess, with the recess including a surface facing away from the first end portion.
250. A developing cartridge according to Claim 249, wherein each projection includes a surface at least a portion of which overhangs a portion of the second end portion.
251. A developing cartridge according to Claim 242, further comprising: a first gear connected to the developer roller; and a second gear connected to the coupling member and in meshing engagement with the first gear.
252. A developing cartridge according to Claim 251, wherein the second gear is connected to the coupling member such that the coupling member can partially rotate about the axis L2 without transmitting a force to the second gear.
253. A developing cartridge according to Claim 252, wherein the second gear has a hollow portion, and at least part of the first end portion of the coupling member is in the hollow portion of the second gear.
254. A developing cartridge according to Claim 253, wherein at least the part of the first end portion of the coupling member is supported by the hollow portion.
255. A developing cartridge according to Claim 254, wherein the first end portion of the coupling member comprises substantially a spherical shape.
256. A developing cartridge according to Claim 255, wherein the connecting portion includes substantially a shaft along the axis L2.
257. A developing cartridge according to Claim 242, further comprising an urging member that biases the coupling member to the third position.
258. A developing cartridge according to Claim 257, wherein the urging member is a torsion spring that contacts the connecting portion of the coupling member.

259. A developing cartridge according to Claim 242, wherein the coupling member can be inclined in substantially any direction relative to the first position.
260. A developing cartridge according to Claim 242, wherein the coupling member is made from a resin material.
261. A developing cartridge according to Claim 260, wherein the resin material is polyacetal.
262. A developing cartridge according to Claim 242, wherein the coupling member is made from a metallic material.
263. A developing cartridge according to Claim 248, wherein each projection includes a surface at least a portion of which overhangs the surface of the second end portion.
264. A developing cartridge according to Claim 239, wherein when the coupling member is in the second position, the axis L2 of the coupling member is inclined from about 20 degrees to about 60 degrees with respect to the position of the axis L2 when the coupling member is in the first position.
265. A developing cartridge according to Claim 243, wherein when the coupling member is in the third position, the axis L2 of the coupling member is inclined from about 20 degrees to about 60 degrees with respect to the position of the axis L2 when the coupling member is in the first position.
266. A developing cartridge according to Claim 265, wherein when the coupling member is in the second position, the axis L2 of the coupling member is inclined from about 20 degrees to about 60 degrees with respect to the position of the axis L2 when the coupling member is in the first position.
267. A developing cartridge comprising:
- a developer roller having an axis L1, the developer roller being rotatable about the axis L1; and
 - a coupling member having an axis L2, the coupling member having (i) a first end portion operatively connected with the developer roller, (ii) a second end portion, and (iii) a connecting portion connecting the first end portion and the second end portion, wherein the coupling member is movable between a first position in which the axis L2 of the coupling member is substantially parallel to and offset from the axis L1 of the developer roller, and a second position in which the axis L2 of the coupling member is inclined with respect to the axis L2 when the coupling member is in the first position,
- wherein when the coupling member is in the second position, a portion of the axis L2 at the second end portion side of the coupling member is nearer to the axis L1 than a portion of the axis L2 at the first end portion side of the coupling member,

wherein the second end portion comprises a pair of projections, each projection including a tip and each projection being projected away from the first end portion, and

wherein, if a first plane is defined as a plane in which the tips of the projections move when the coupling member moves between the first position and the second position, and a second plane is defined as a plane that is perpendicular to the first plane and contains the axis L2 when the coupling member is in the first position, then the projections are positioned on opposite sides of the second plane when the coupling member is in the first position, and the projections are positioned on the same side of the second plane when the coupling member is in the second position.

268. A developing cartridge according to Claim 267, wherein said first end portion is capable of transmitting a rotational force to the developer roller.

269. A developing cartridge according to Claim 268, wherein the coupling member is movable to a third position in which the axis L2 is inclined with respect to the position of the axis L2 when the coupling member is in the first position and in a direction opposite to the direction in which the coupling member is inclined when in the second position.

270. A developing cartridge according to Claim 269, wherein, when the coupling member is in the third position, a portion of the axis L2 at the first end portion side of the coupling member is nearer to the axis L1 than a portion of the axis L2 at the second end portion side of the coupling member.

271. A developing cartridge according to Claim 270, wherein, when the coupling member is in the third position and the tips of the projections are in the first plane, the projections are positioned on a side opposite to the side on which the projections are positioned when the coupling is in the second position.

272. A developing cartridge according to Claim 270, further comprising a casing in which the developer roller is rotatably supported.

273. A developing cartridge according to Claim 272, wherein the casing comprises a bearing member rotatably supporting the developer roller.

274. A developing cartridge according to Claim 273, wherein the casing comprises a contact portion capable of contacting the coupling member to position the coupling member at the second position.

275. A developing cartridge according to Claim 274, wherein the casing comprises a guide portion capable of guiding the coupling member toward the second position.

276. A developing cartridge according to Claim 270, wherein the second end portion comprises a surface that is substantially perpendicular to the axis L2, and two projections extending from the surface at diametrically opposed positions.

277. A developing cartridge according to Claim 276, wherein the surface includes an opening to a recess, with the recess including a surface facing away from the first end portion.
278. A developing cartridge according to Claim 277, wherein each projection includes a surface at least a portion of which overhangs a portion of the second end portion.
279. A developing cartridge according to Claim 270, further comprising: a first gear connected to the developer roller; and a second gear connected to the coupling member and in meshing engagement with the first gear.
280. A developing cartridge according to Claim 279, wherein the second gear is connected to the coupling member such that the coupling member can partially rotate about the axis L2 without transmitting a force to the second gear.
281. A developing cartridge according to Claim 280, wherein the second gear has a hollow portion, and at least part of the first end portion of the coupling member is in the hollow portion of the second gear.
282. A developing cartridge according to Claim 281, wherein at least the part of the first end portion of the coupling member is supported by the hollow portion.
283. A developing cartridge according to Claim 282, wherein the first end portion of the coupling member comprises substantially a spherical shape.
284. A developing cartridge according to Claim 283, wherein the connecting portion includes substantially a shaft along the axis L2.
285. A developing cartridge according to Claim 270, further comprising an urging member that biases the coupling member to the second position.
286. A developing cartridge according to Claim 285, wherein the urging member is a torsion spring that contacts the connecting portion of the coupling member.
287. A developing cartridge according to Claim 270, wherein the coupling member can be inclined in substantially any direction relative to the first position.
288. A developing cartridge according to Claim 270, wherein the coupling member is made from a resin material.
289. A developing cartridge according to Claim 288, wherein the resin material is polyacetal.
290. A developing cartridge according to Claim 270, wherein the coupling member is made from a metallic material.
291. A developing cartridge according to Claim 276, wherein each projection includes a surface at least a portion of which overhangs the surface of the second end portion.
292. A developing cartridge according to Claim 267, wherein when the coupling member is in the second position, the axis L2 of the coupling member is inclined from about 20 degrees to

about 60 degrees with respect to the position of the axis L2 when the coupling member is in the first position.

293. A developing cartridge according to Claim 271, wherein when the coupling member is in the third position, the axis L2 of the coupling member is inclined from about 20 degrees to about 60 degrees with respect to the position of the axis L2 when the coupling member is in the first position.

294. A developing cartridge according to Claim 293, wherein when the coupling member is in the second position, the axis L2 of the coupling member is inclined from about 20 degrees to about 60 degrees with respect to the position of the axis L2 when the coupling member is in the first position.

295. A developing cartridge comprising:

a developer roller having an axis L1, the developer roller being rotatable about the axis L1; and

a coupling member having an axis L2, the coupling member having (i) a first end portion operatively connected with the developer roller, (ii) a second end portion, and (iii) a connecting portion connecting the first end portion and the second end portion,

wherein the coupling member is movable between a first position in which the axis L2 of the coupling member is substantially parallel to and offset from the axis L1 of the developer roller, and a second position in which the axis L2 of the coupling member is inclined with respect to the axis L2 when the coupling member is in the first position,

wherein when the coupling member is in the second position, a portion of the axis L2 at the first end portion side of the coupling member is nearer to the axis L1 than a portion of the axis L2 at the second end portion side of the coupling member,

wherein the second end portion comprises a pair of projections, each projection including a tip and each projection being projected away from the first end portion, and

wherein, if a first plane is defined as a plane in which the tips of the projections move when the coupling member moves between the first position and the second position, and a second plane is defined as a plane that is perpendicular to the first plane and contains the axis L2 when the coupling member is in the first position, then the projections are positioned on opposite sides of the second plane when the coupling member is in the first position, and the projections are positioned on the same side of the second plane when the coupling member is in the second position.

296. A developing cartridge according to Claim 295, wherein said first end portion is capable of transmitting a rotational force to the developer roller.

297. A developing cartridge according to Claim 296, wherein the coupling member is movable to a third position in which the axis L2 is inclined with respect to the position of the axis L2 when the coupling member is in the first position and in a direction opposite to the direction in which the coupling member is inclined when in the second position.

298. A developing cartridge according to Claim 297, wherein, when the coupling member is in the third position, a portion of the axis L2 at the second end portion side of the coupling member is nearer to the axis L1 than a portion of the axis L2 at the first end portion side of the coupling member.

299. A developing cartridge according to Claim 298, wherein, when the coupling member is in the third position and the tips of the projections are in the first plane, the projections are positioned on a side opposite to the side on which the projections are positioned when the coupling is in the second position.

300. A developing cartridge according to Claim 298, further comprising a casing in which the developer roller is rotatably supported.

301. A developing cartridge according to Claim 300, wherein the casing comprises a bearing member rotatably supporting the developer roller.

302. A developing cartridge according to Claim 301, wherein the casing comprises a contact portion capable of contacting the coupling member to position the coupling member at the third position.

303. A developing cartridge according to Claim 302, wherein the casing comprises a guide portion capable of guiding the coupling member toward the third position.

304. A developing cartridge according Claim 298, wherein the second end portion comprises a surface that is substantially perpendicular to the axis L2, and two projections extending from the surface at diametrically opposed positions.

305. A developing cartridge according to Claim 304, wherein the surface includes an opening to a recess, with the recess including a surface facing away from the first end portion.

306. A developing cartridge according to Claim 305, wherein each projection includes a surface at least a portion of which overhangs a portion of the second end portion.

307. A developing cartridge according to Claim 298, further comprising: a first gear connected to the developer roller; and a second gear connected to the coupling member and in meshing engagement with the first gear.

308. A developing cartridge according to Claim 307, wherein the second gear is connected to the coupling member such that the coupling member can partially rotate about the axis L2 without transmitting a force to the second gear.

309. A developing cartridge according to Claim 308, wherein the second gear has a hollow portion, and at least part of the first end portion of the coupling member is in the hollow portion of the second gear.
310. A developing cartridge according to Claim 309, wherein at least the part of the first end portion of the coupling member is supported by the hollow portion.
311. A developing cartridge according to Claim 310, wherein the first end portion of the coupling member comprises substantially a spherical shape.
312. A developing cartridge according to Claim 311, wherein the connecting portion includes substantially a shaft along the axis L2.
313. A developing cartridge according to Claim 298, further comprising an urging member that biases the coupling member to the third position.
314. A developing cartridge according to Claim 313, wherein the urging member is a torsion spring that contacts the connecting portion of the coupling member.
315. A developing cartridge according to Claim 298, wherein the coupling member can be inclined in substantially any direction relative to the first position.
316. A developing cartridge according to Claim 298, wherein the coupling member is made from a resin material.
317. A developing cartridge according to Claim 316, wherein the resin material is polyacetal.
318. A developing cartridge according to Claim 298, wherein the coupling member is made from a metallic material.
319. A developing cartridge according to Claim 304, wherein each projection includes a surface at least a portion of which overhangs the surface of the second end portion.
320. A developing cartridge according to Claim 295, wherein when the coupling member is in the second position, the axis L2 of the coupling member is inclined from about 20 degrees to about 60 degrees with respect to the position of the axis L2 when the coupling member is in the first position.
321. A developing cartridge according to Claim 299, wherein when the coupling member is in the third position, the axis L2 of the coupling member is inclined from about 20 degrees to about 60 degrees with respect to the position of the axis L2 when the coupling member is in the first position.
322. A developing cartridge according to Claim 321, wherein when the coupling member is in the second position, the axis L2 of the coupling member is inclined from about 20 degrees to about 60 degrees with respect to the position of the axis L2 when the coupling member is in the first position.

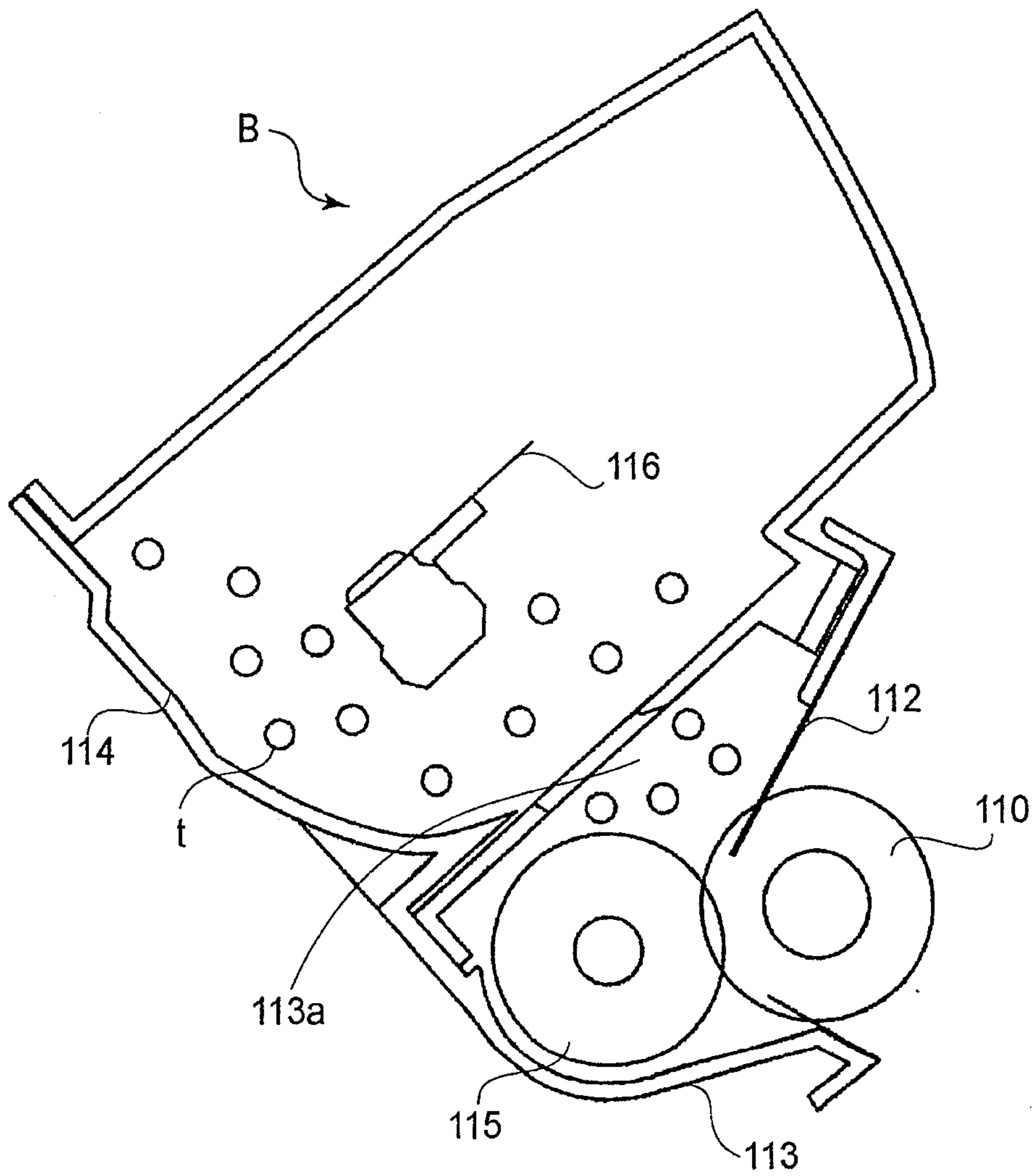


FIG. 1

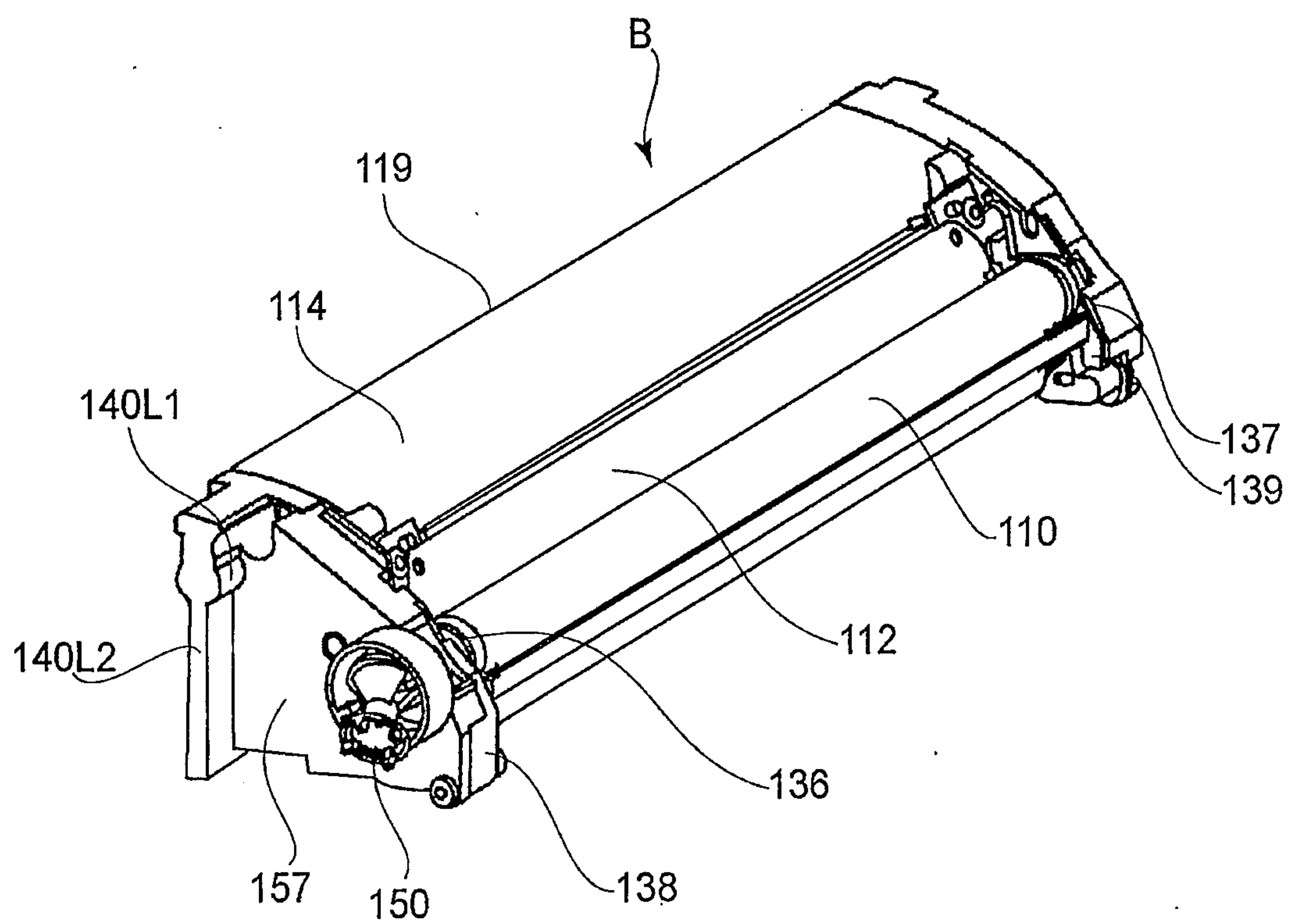


FIG. 2

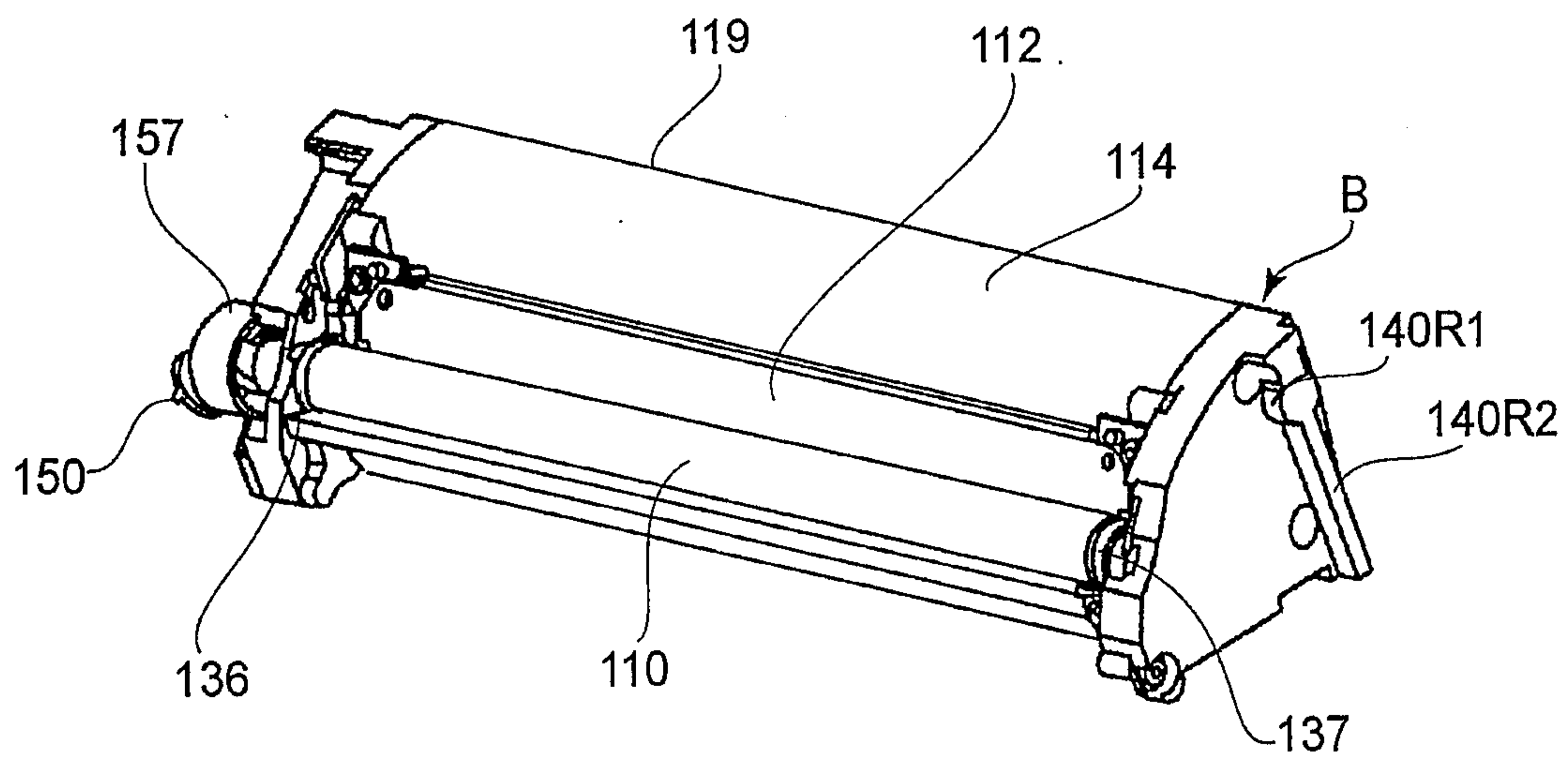


FIG. 3

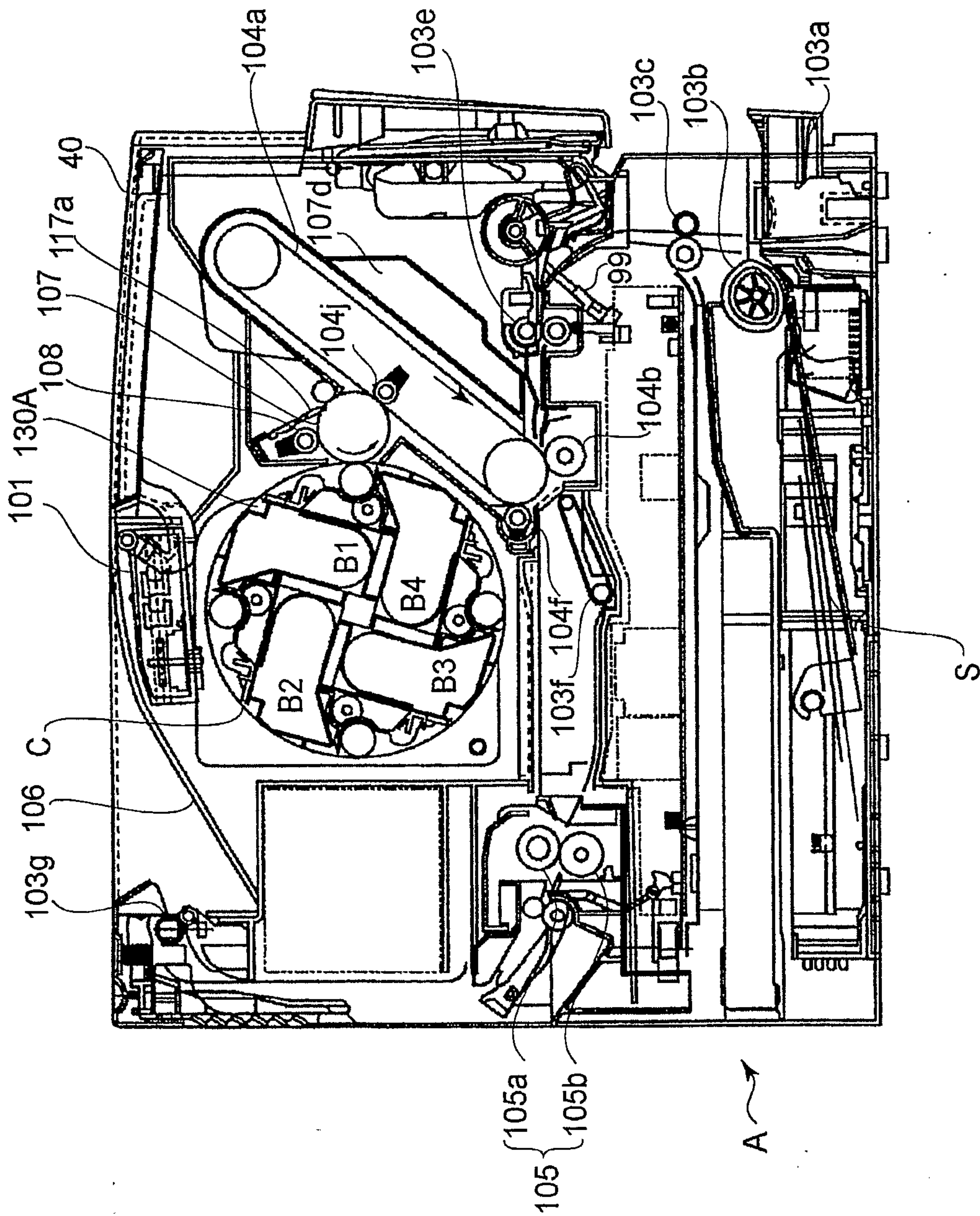
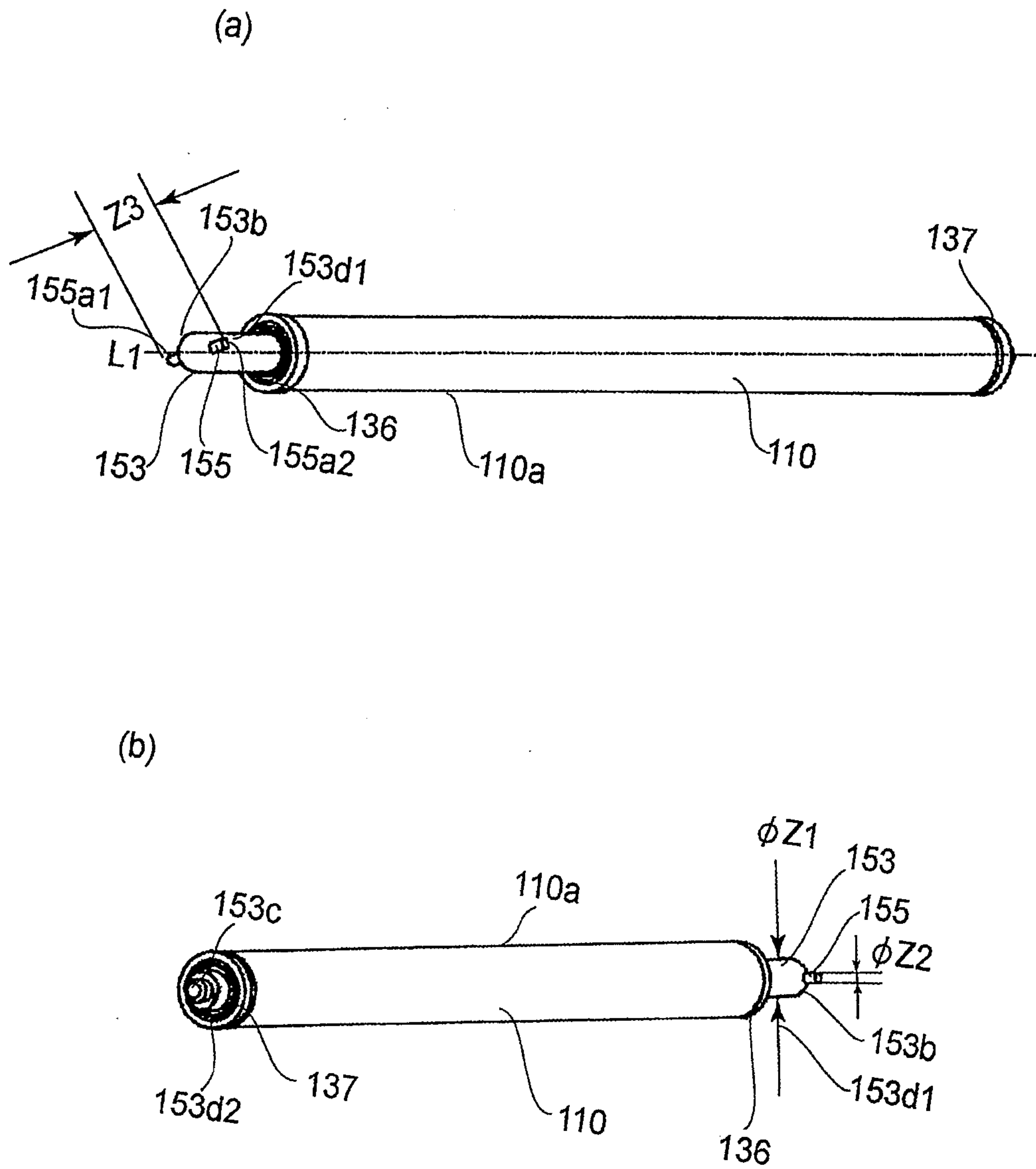


FIG. 4



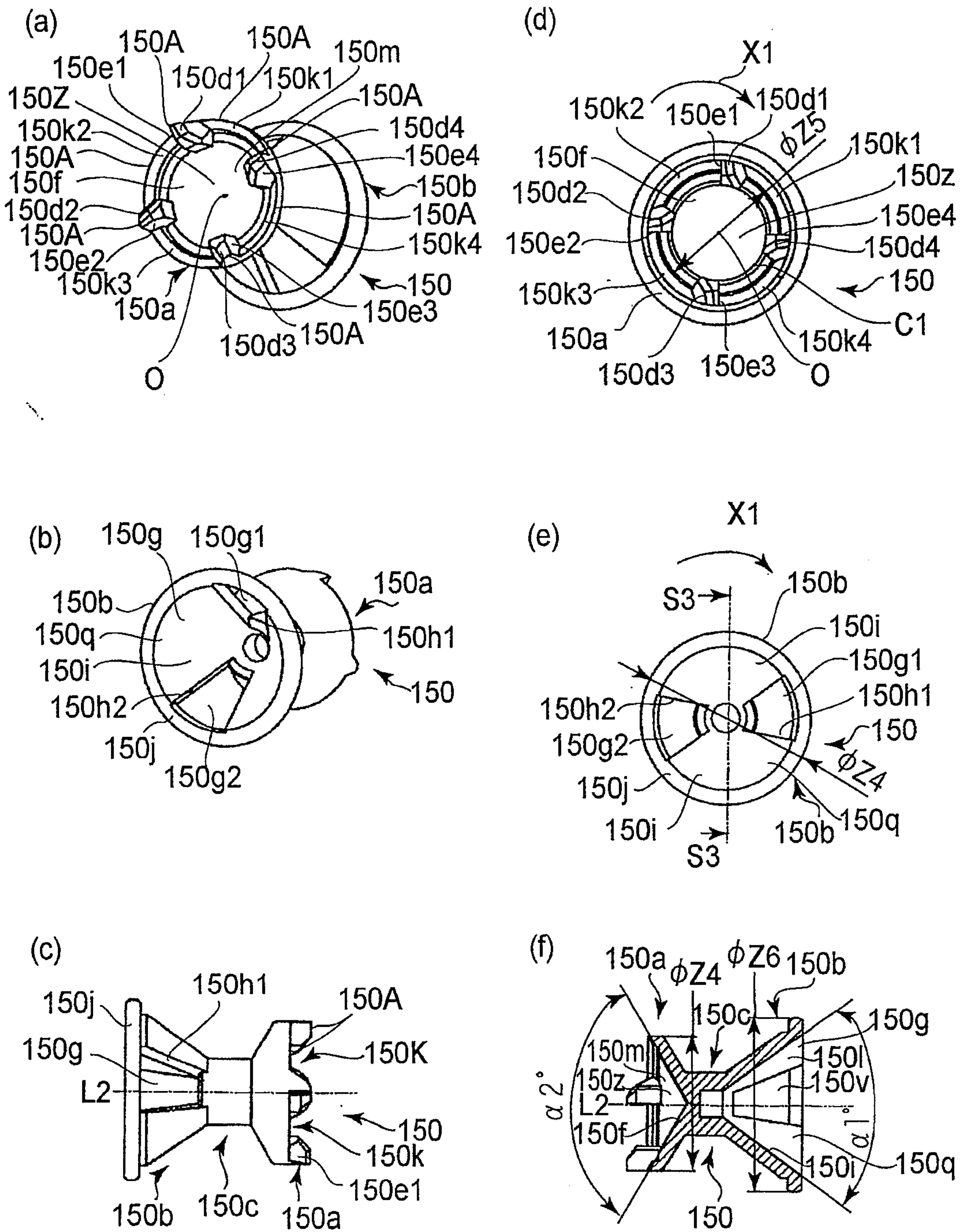


FIG. 6

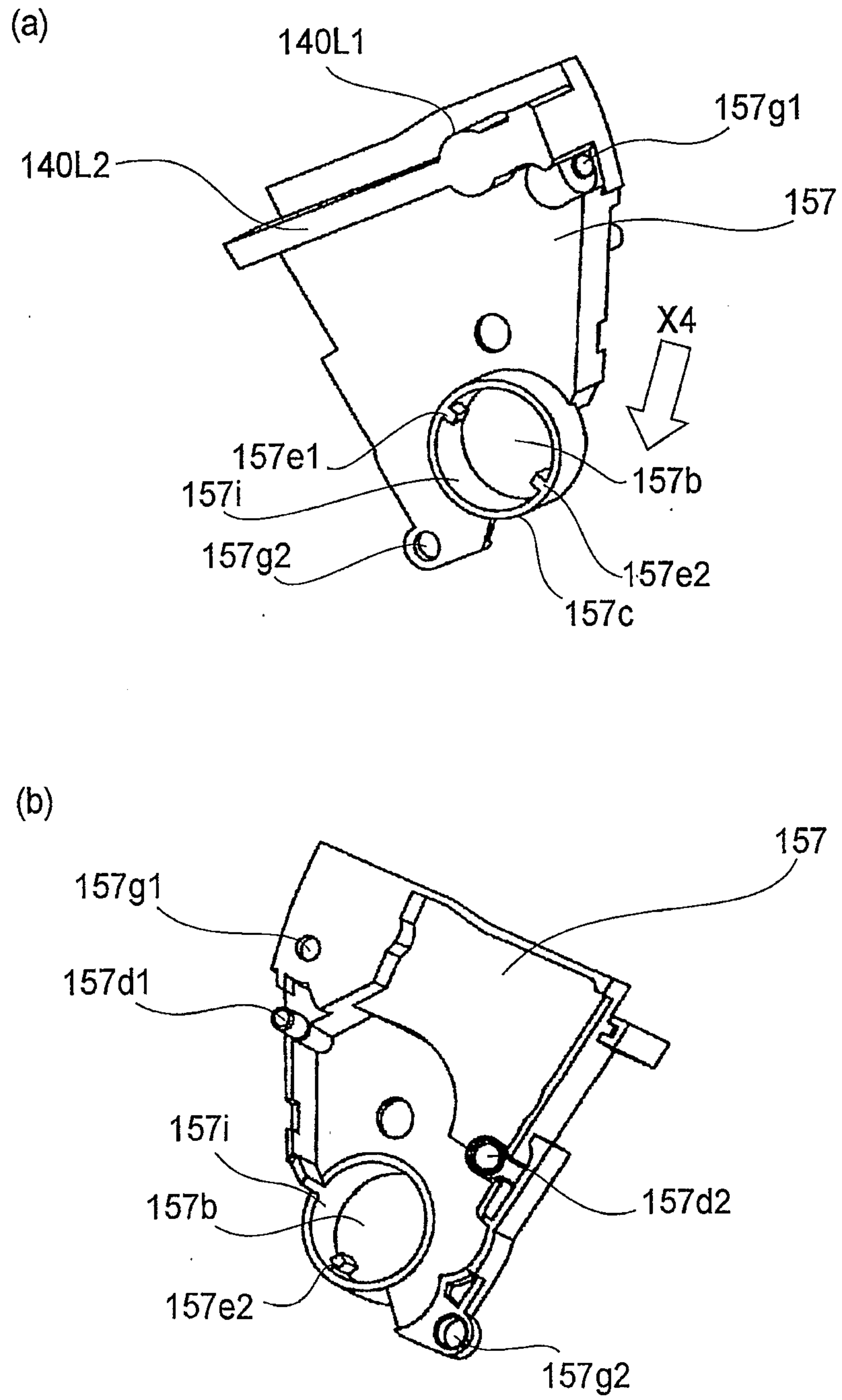


FIG. 7

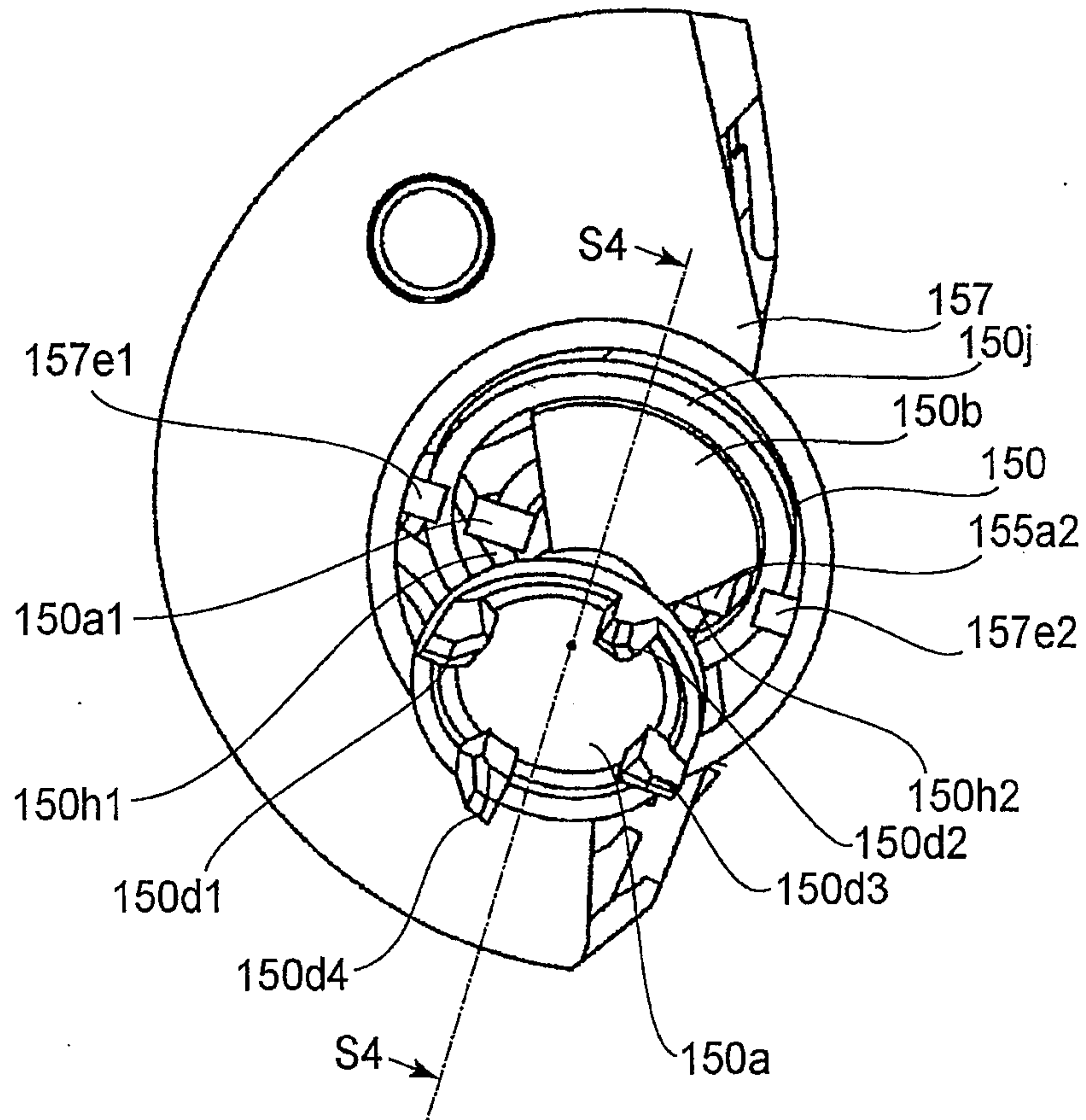


FIG. 8

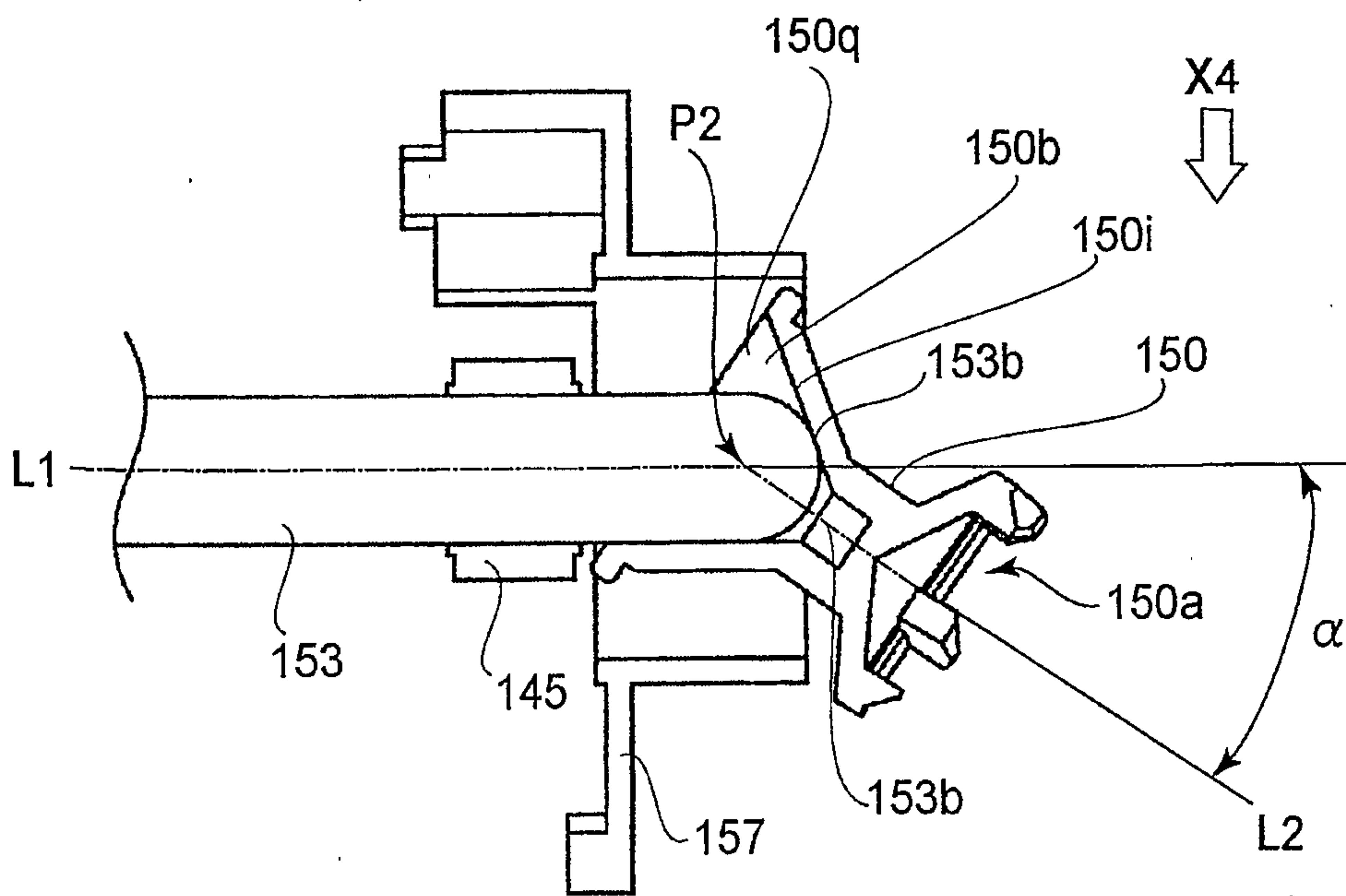


FIG. 9

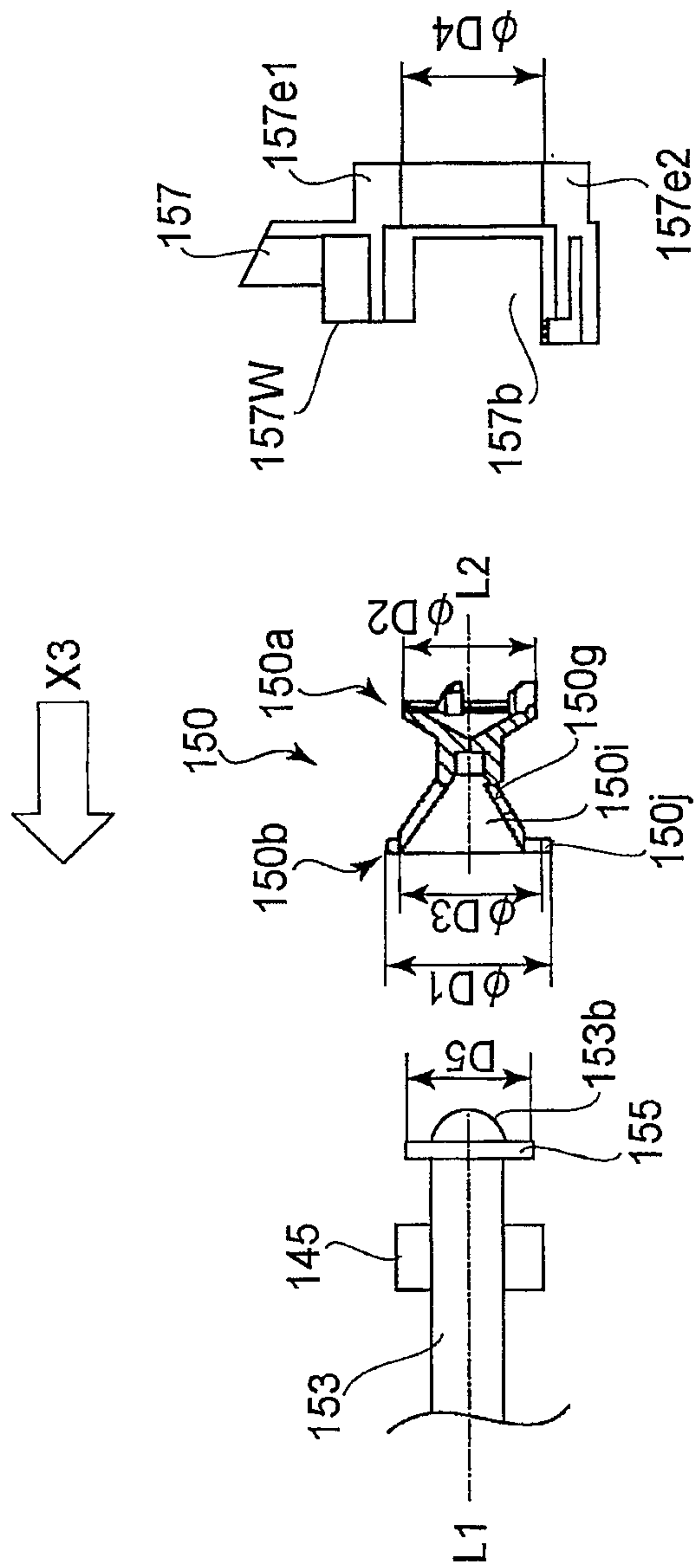


FIG.10

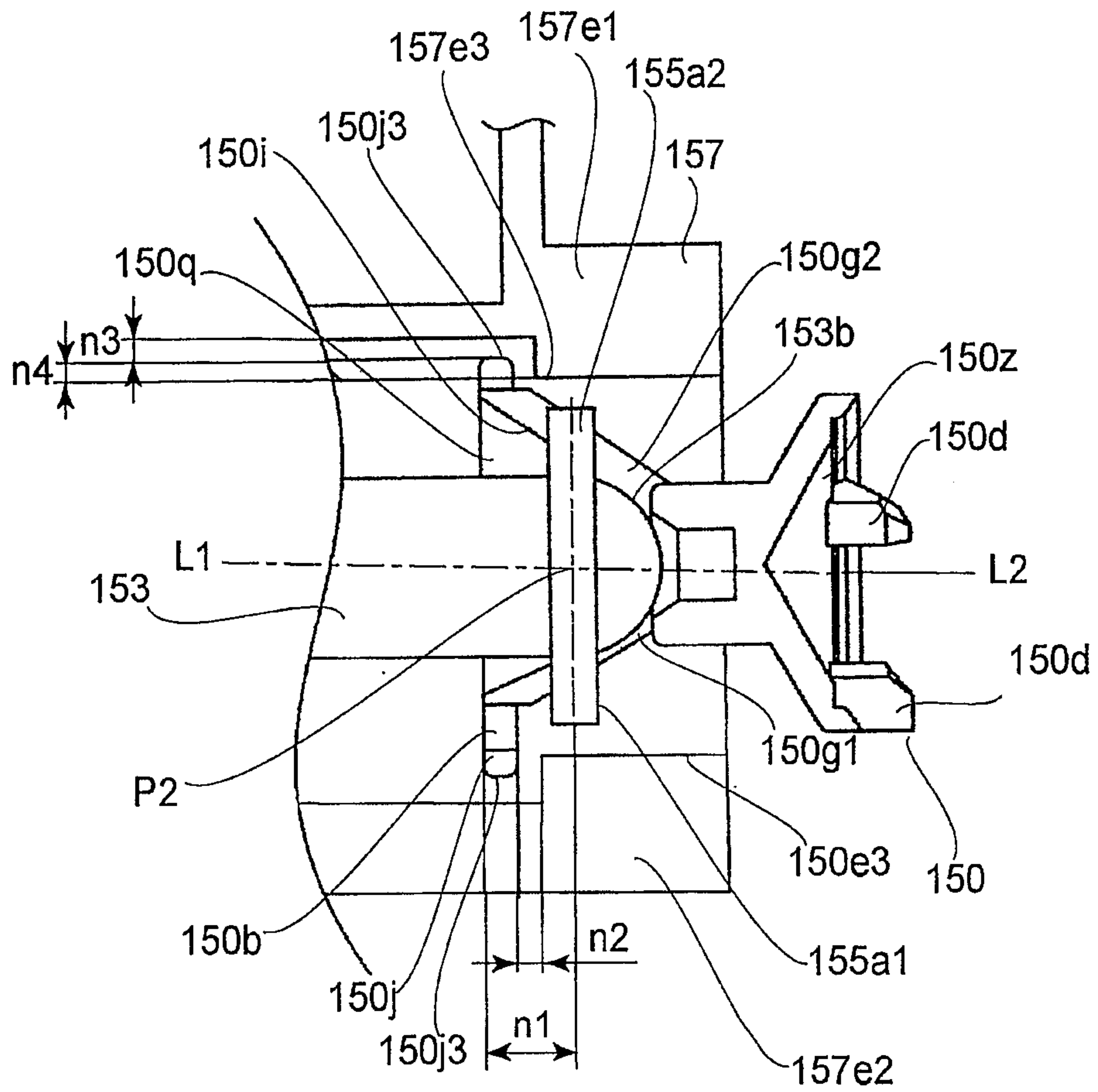


FIG. 11

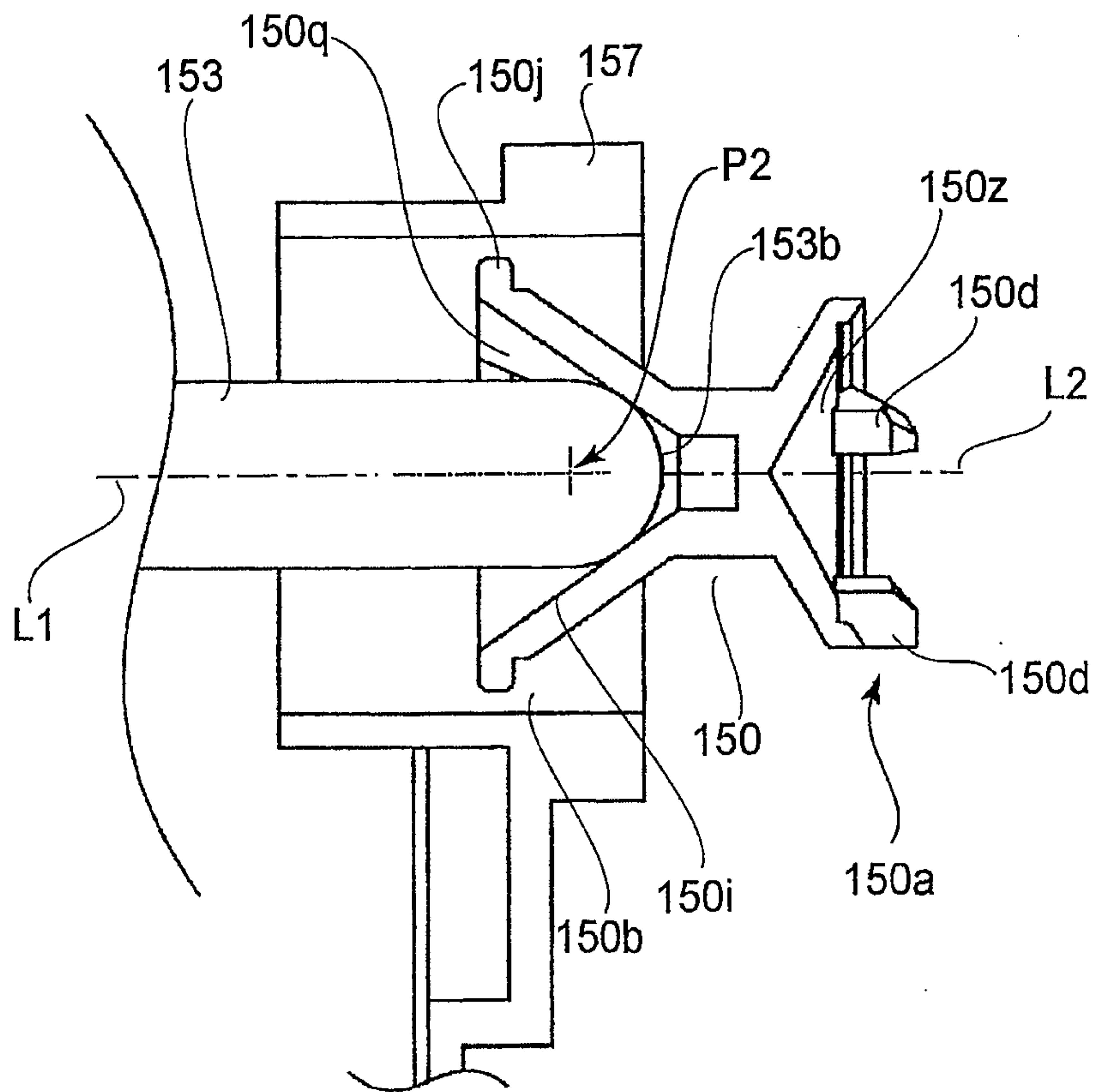


FIG.12

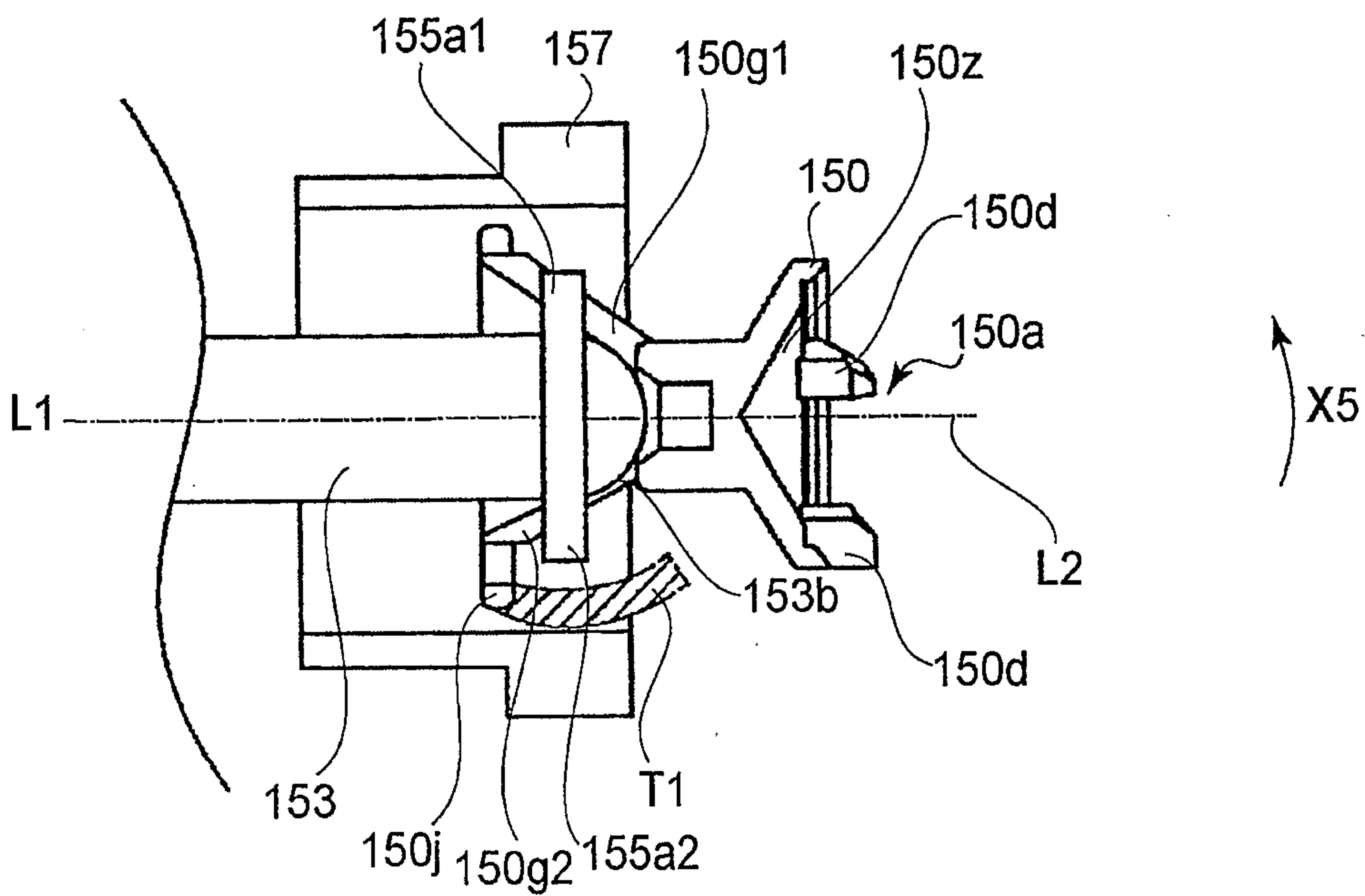


FIG.13

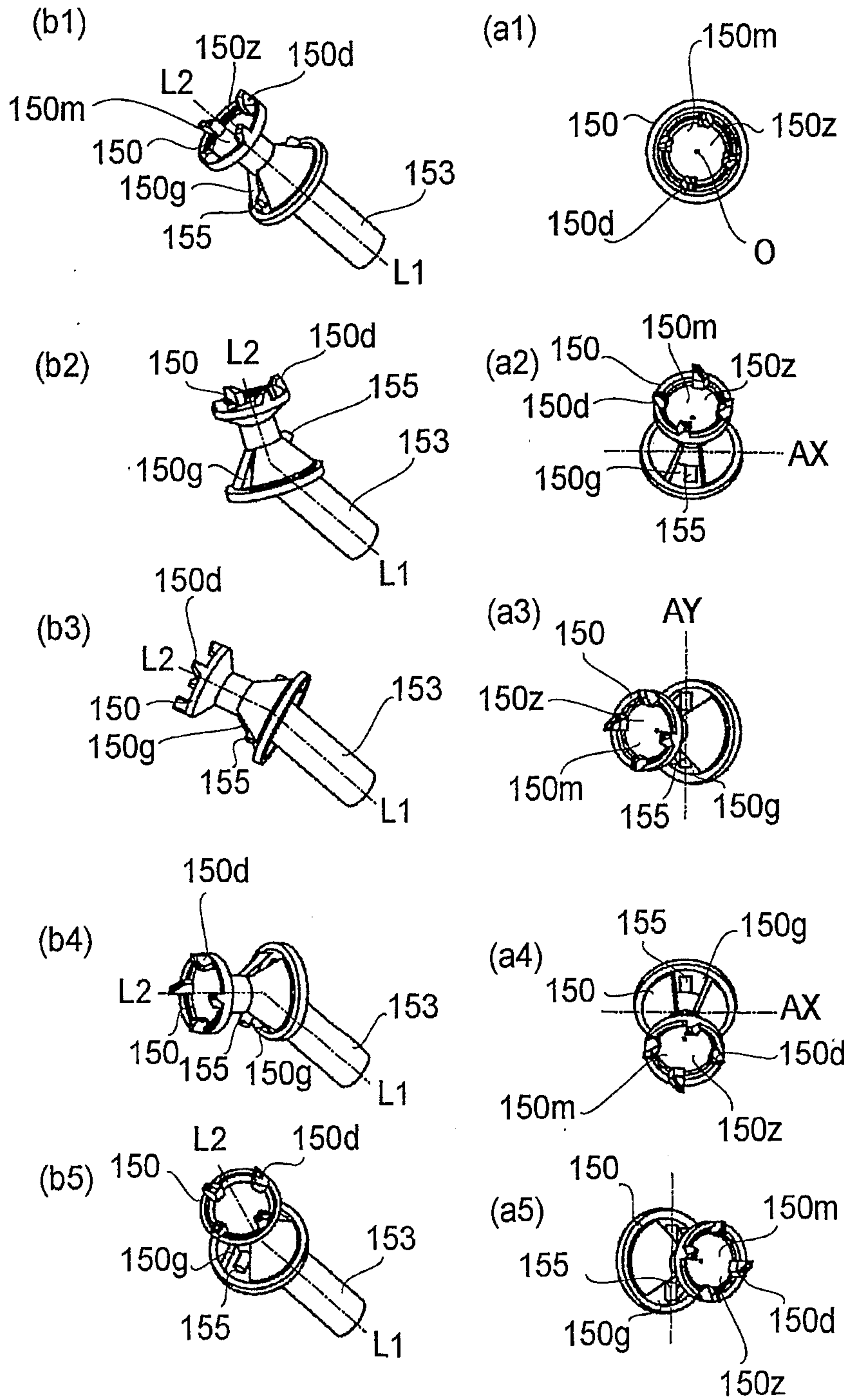


FIG. 14

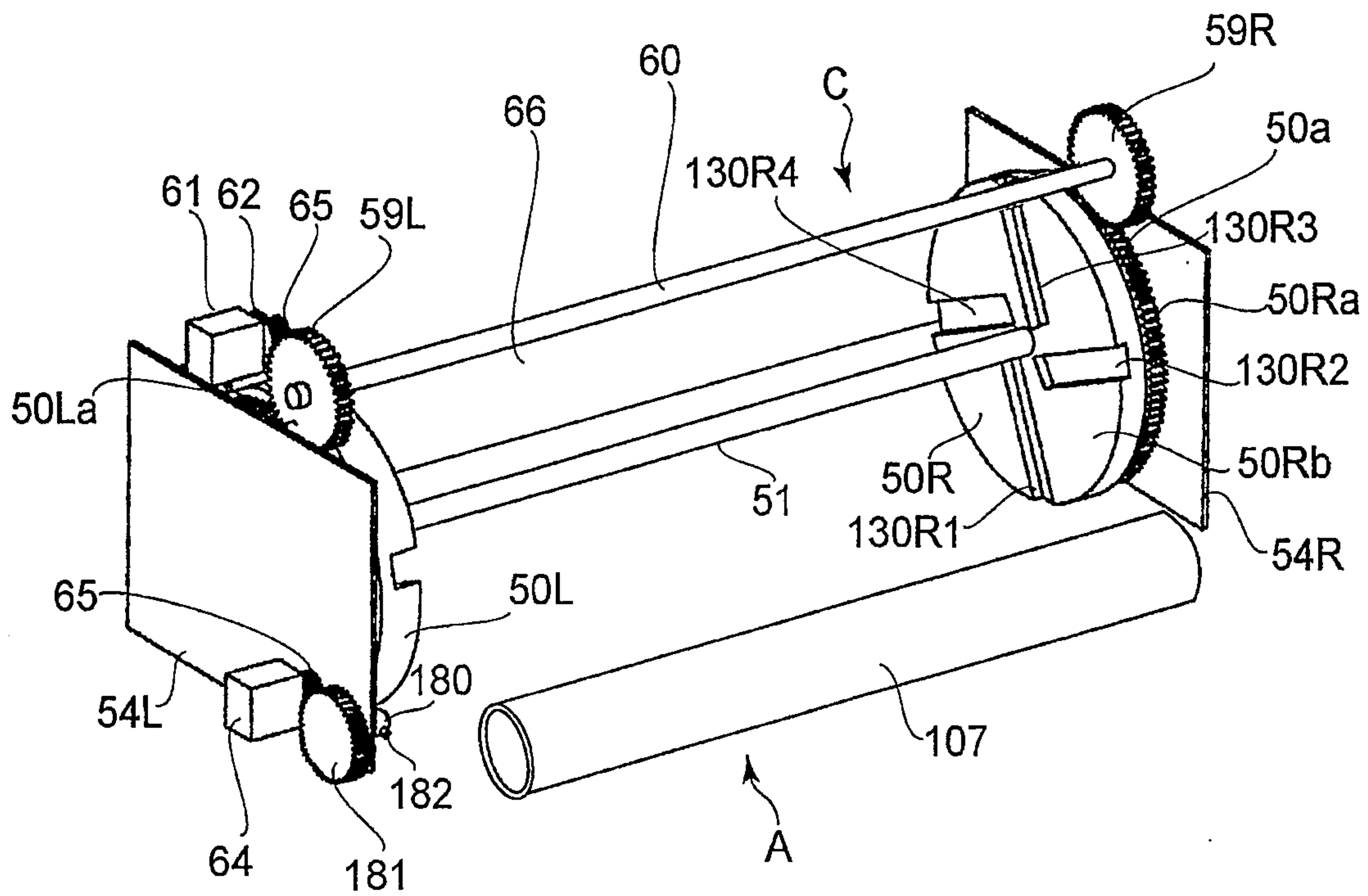


FIG.15

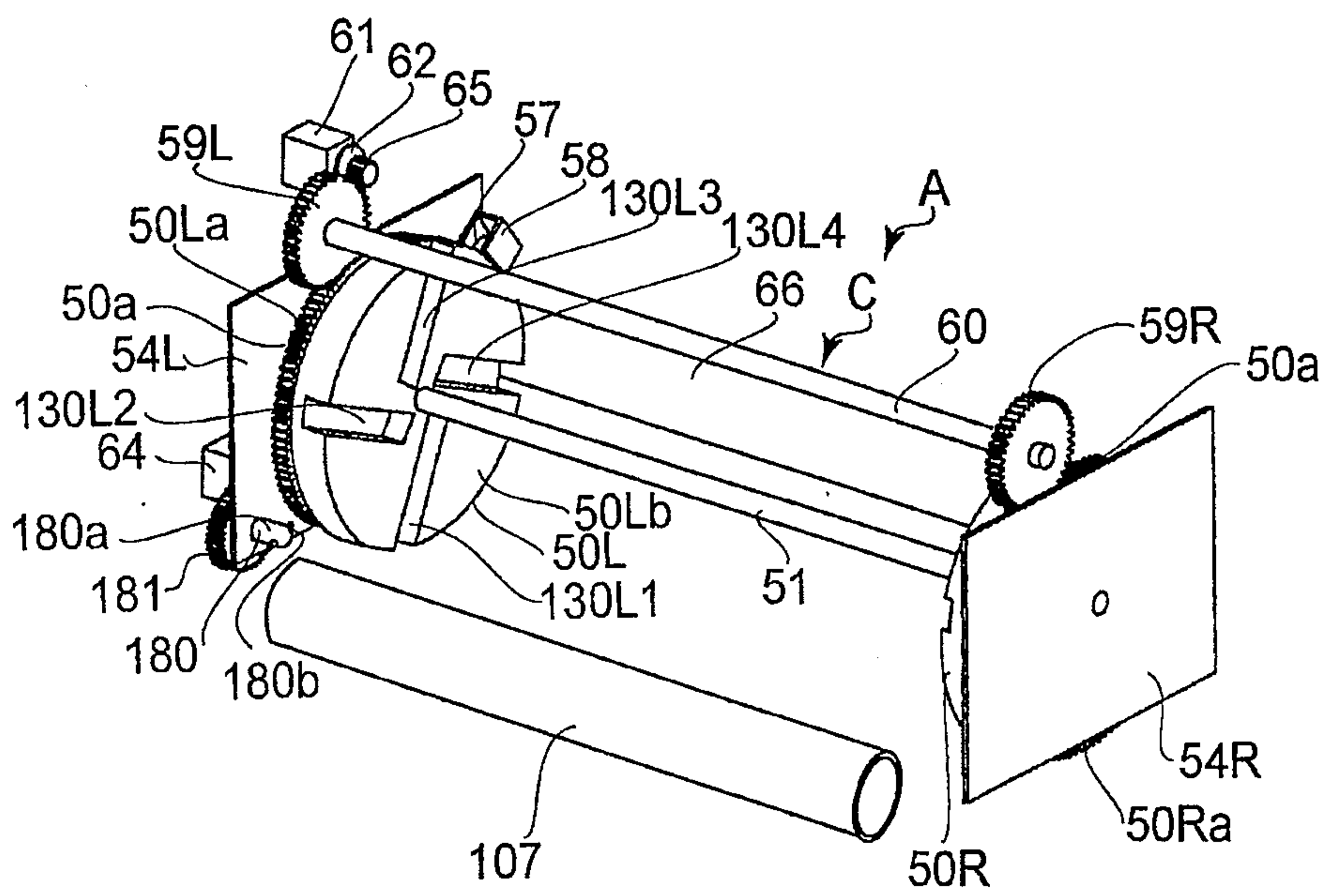


FIG.16

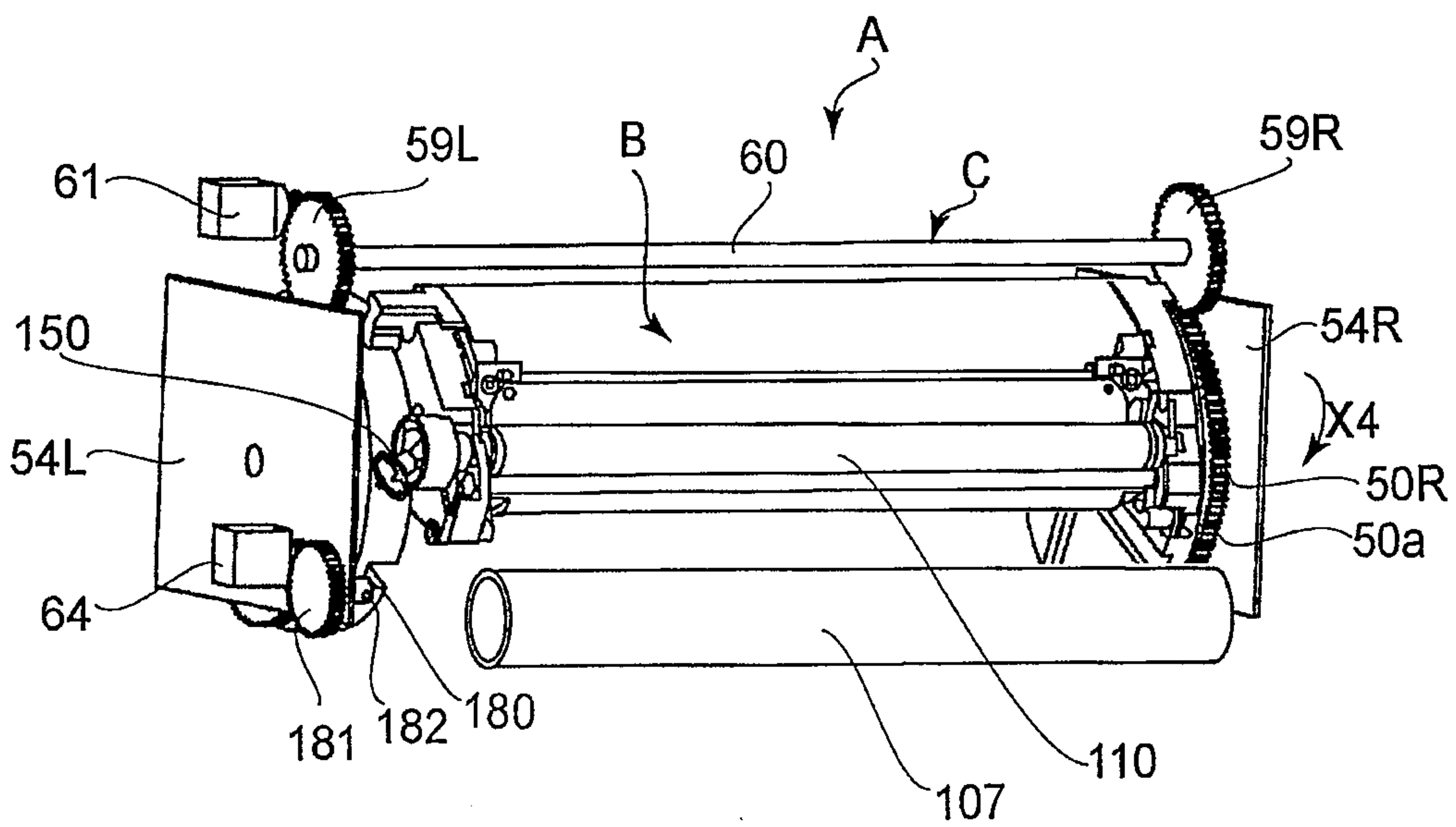


FIG.17

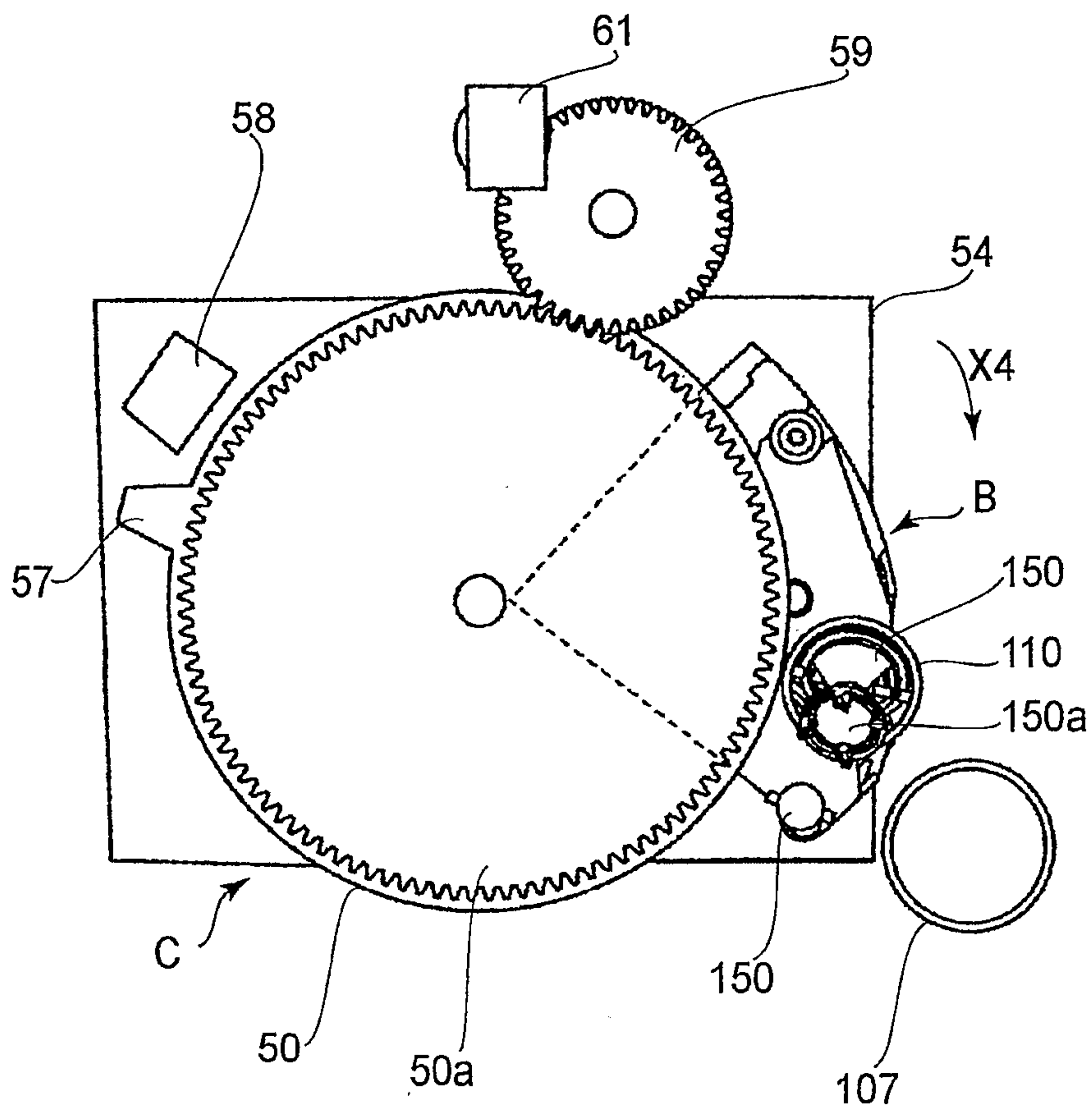


FIG.18

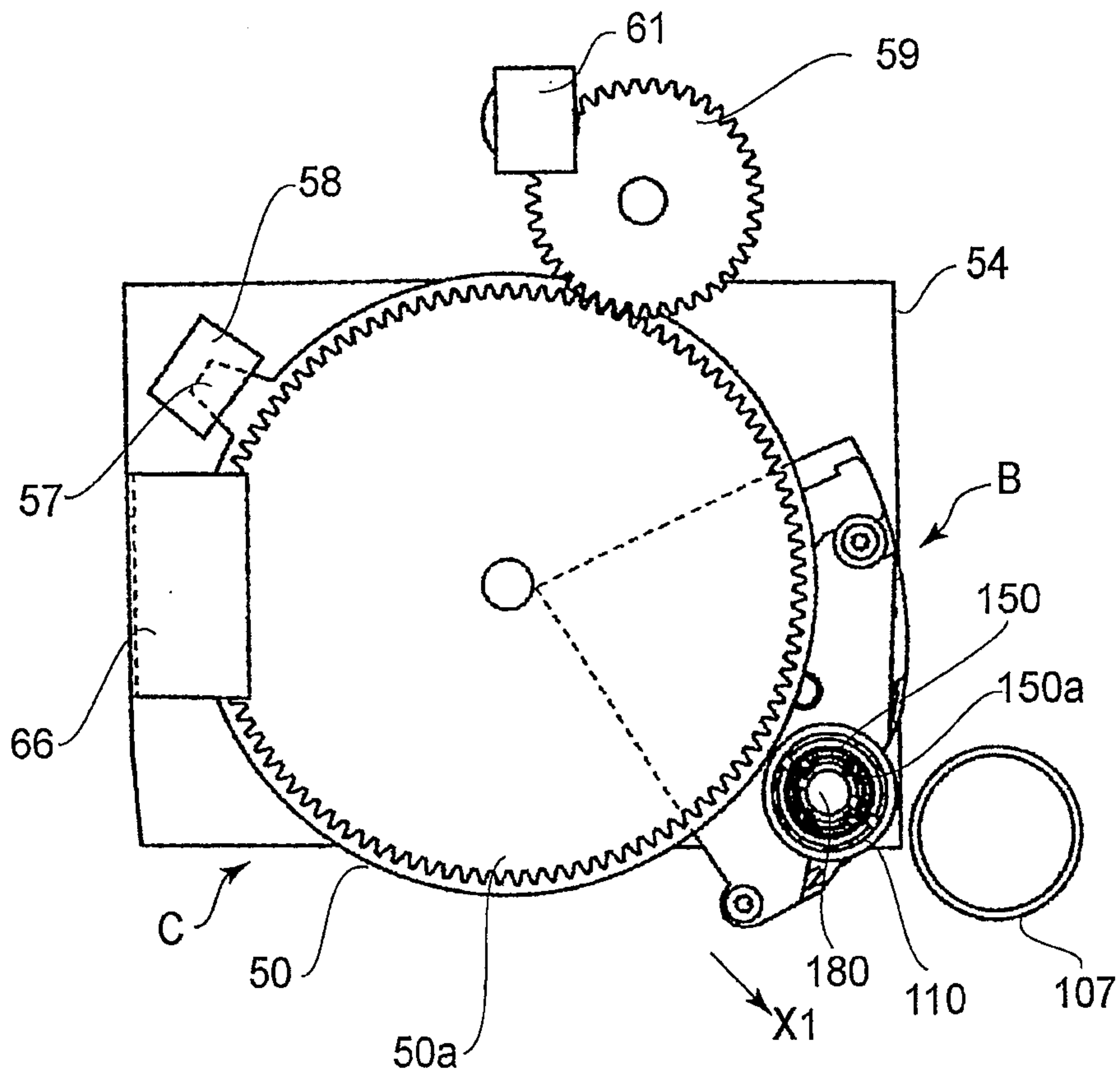


FIG.19

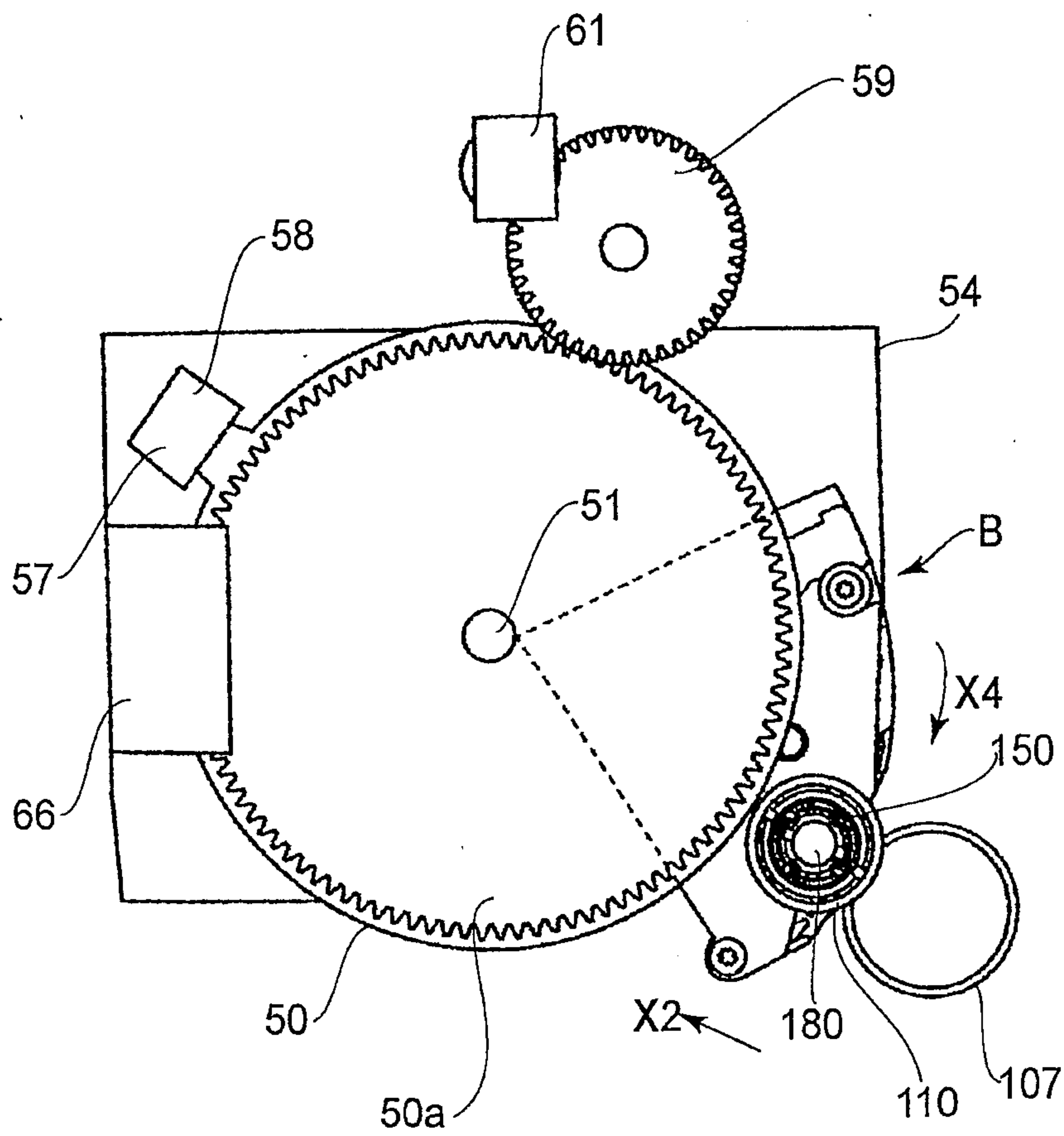


FIG.20

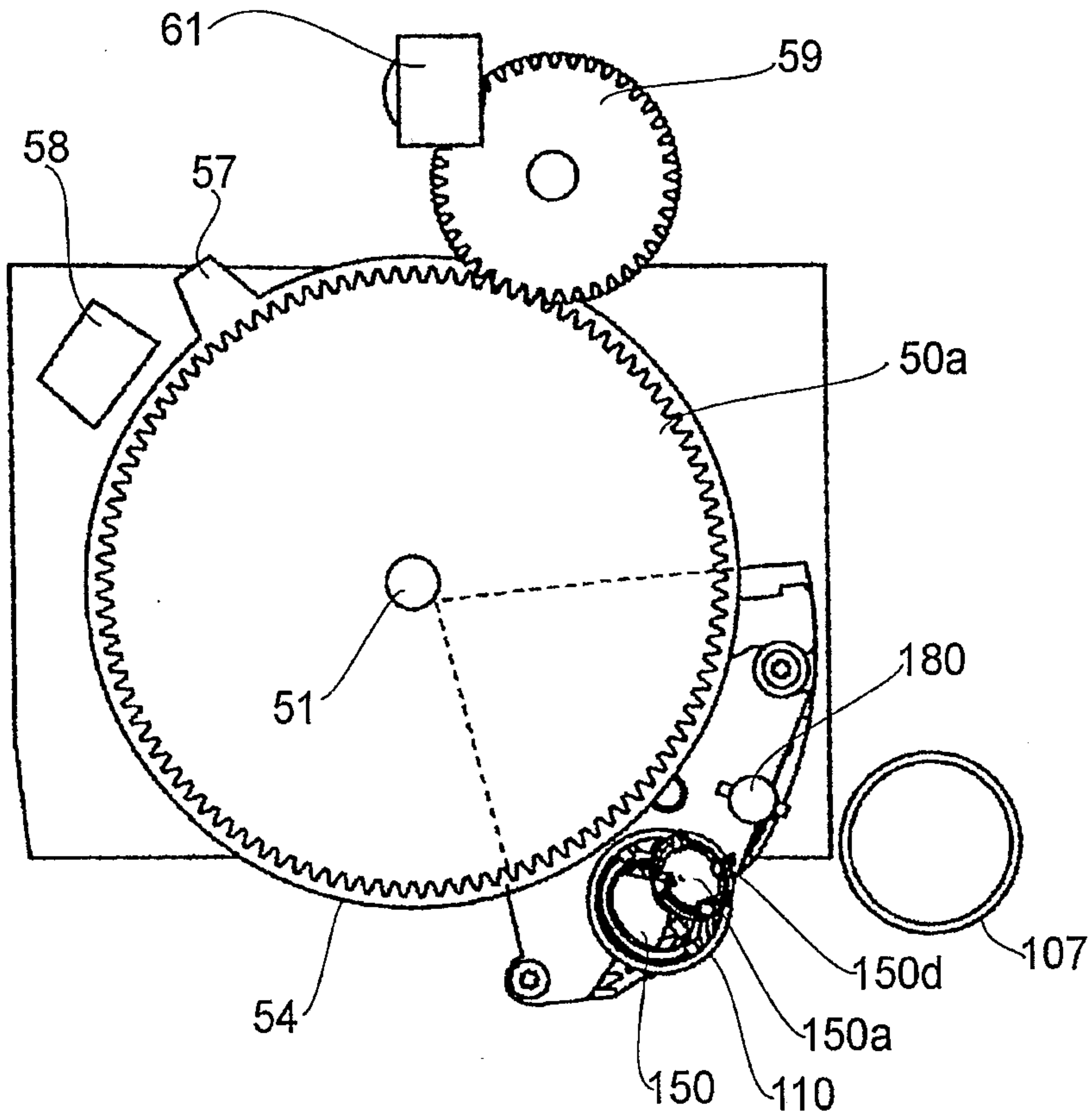


FIG.21

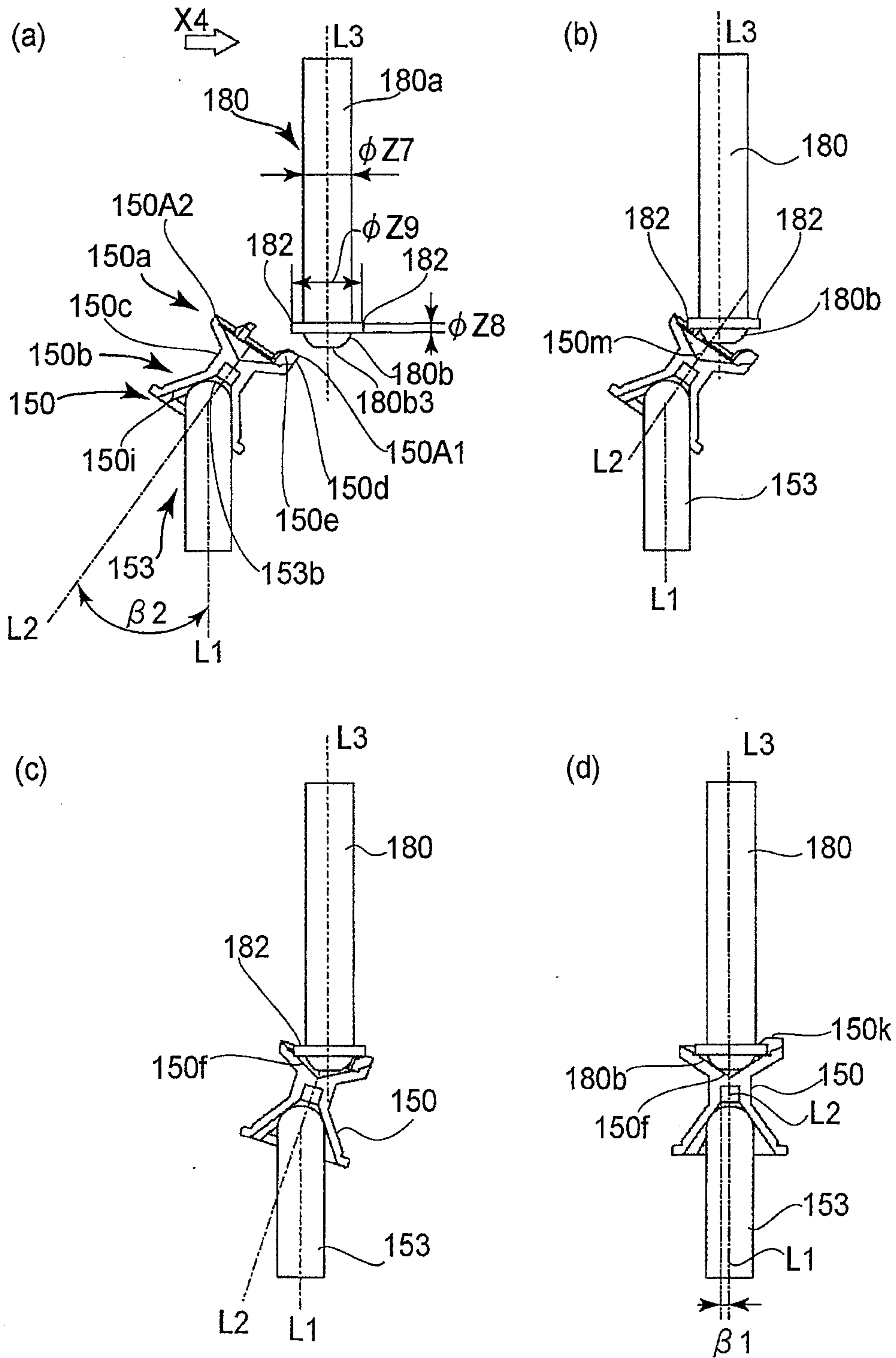


FIG. 22

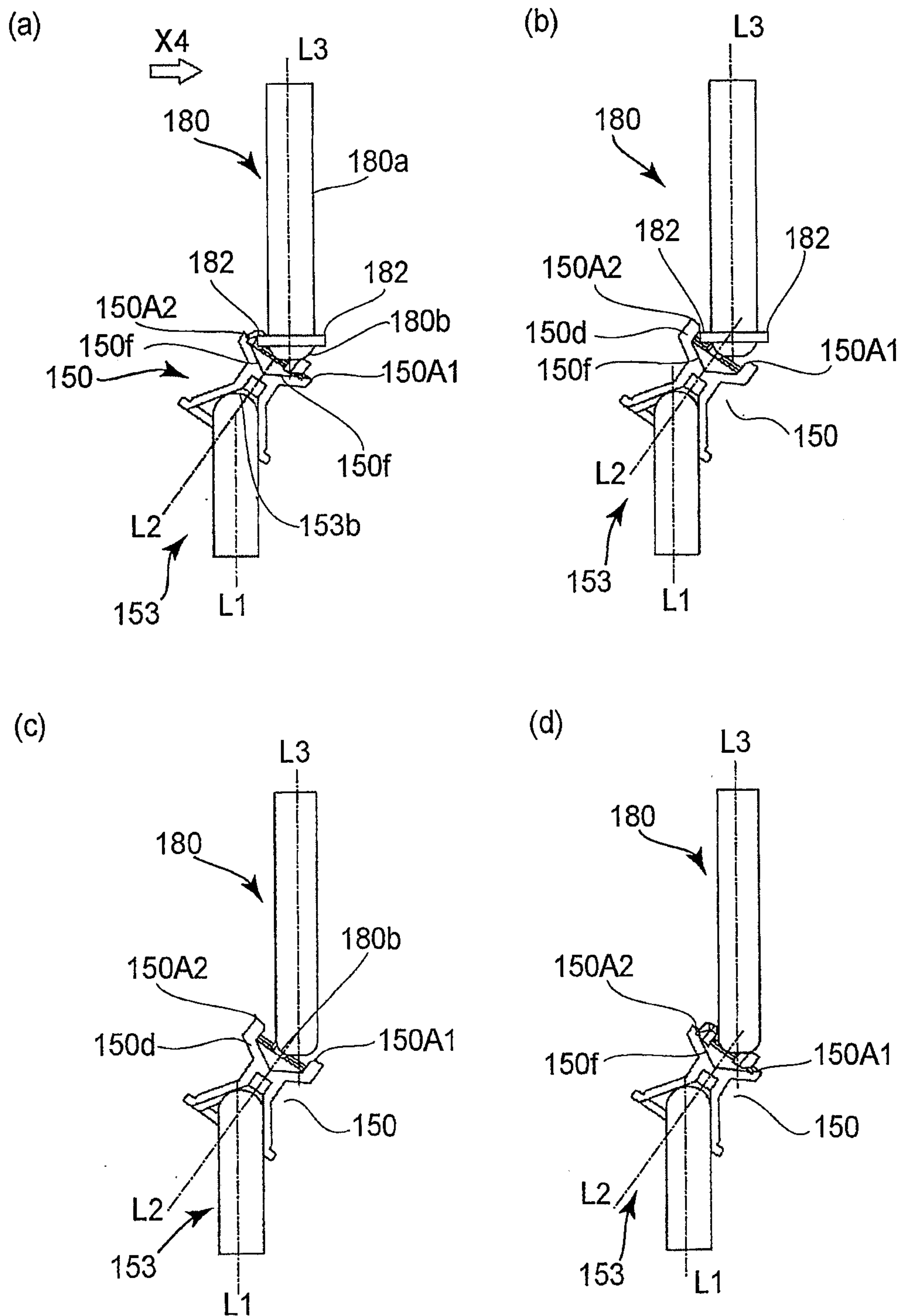


FIG. 23

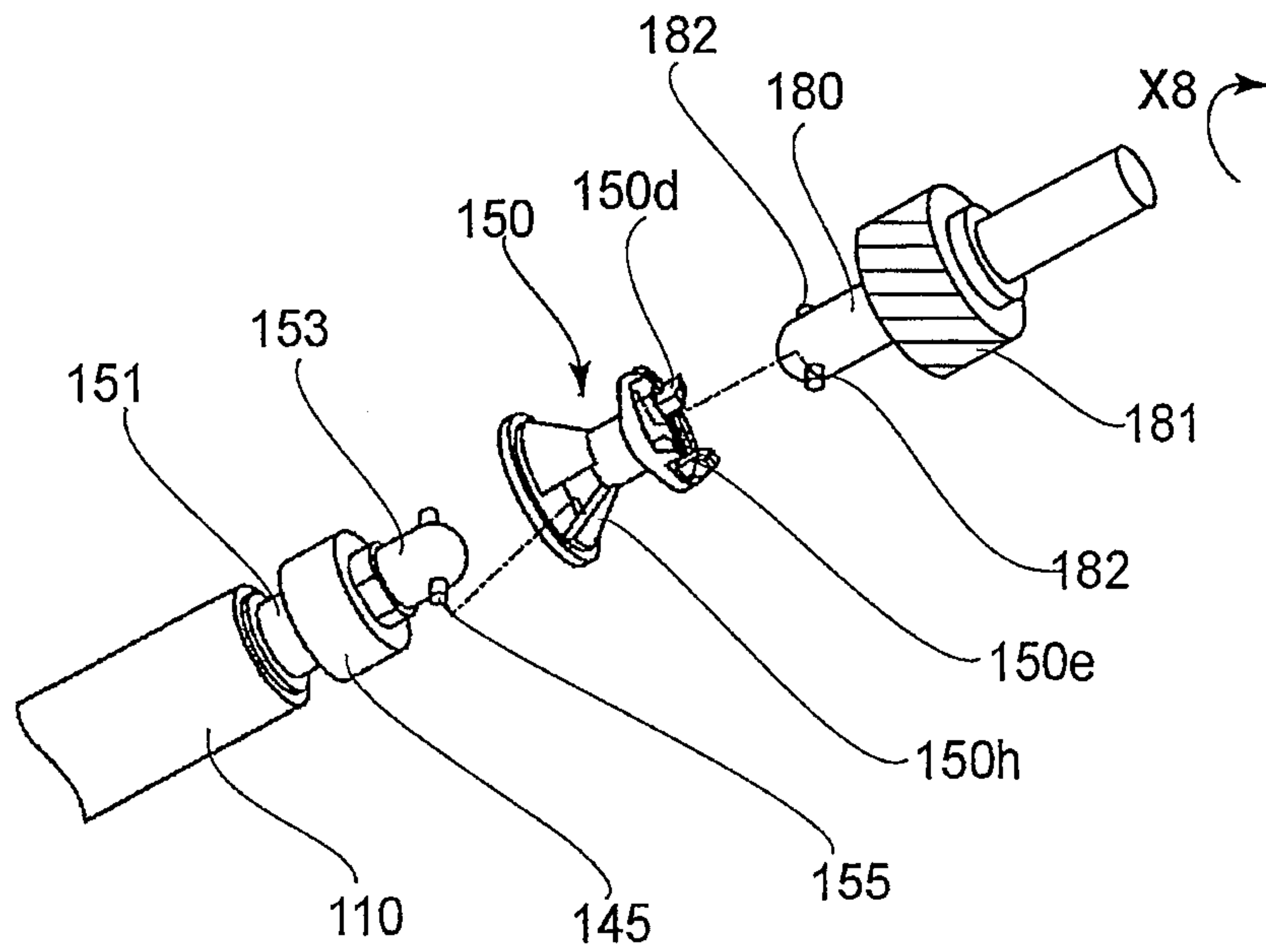


FIG.24

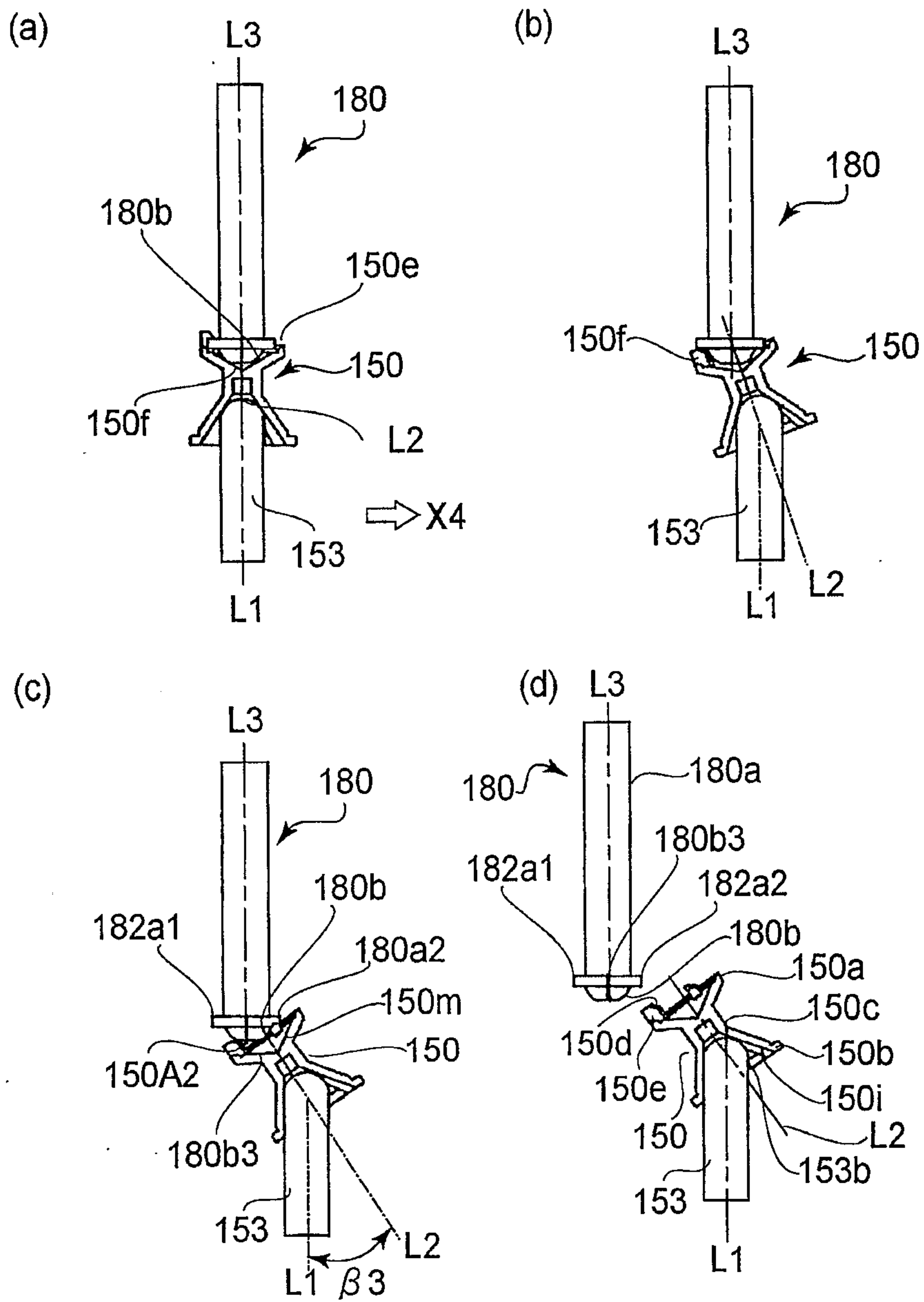


FIG. 25

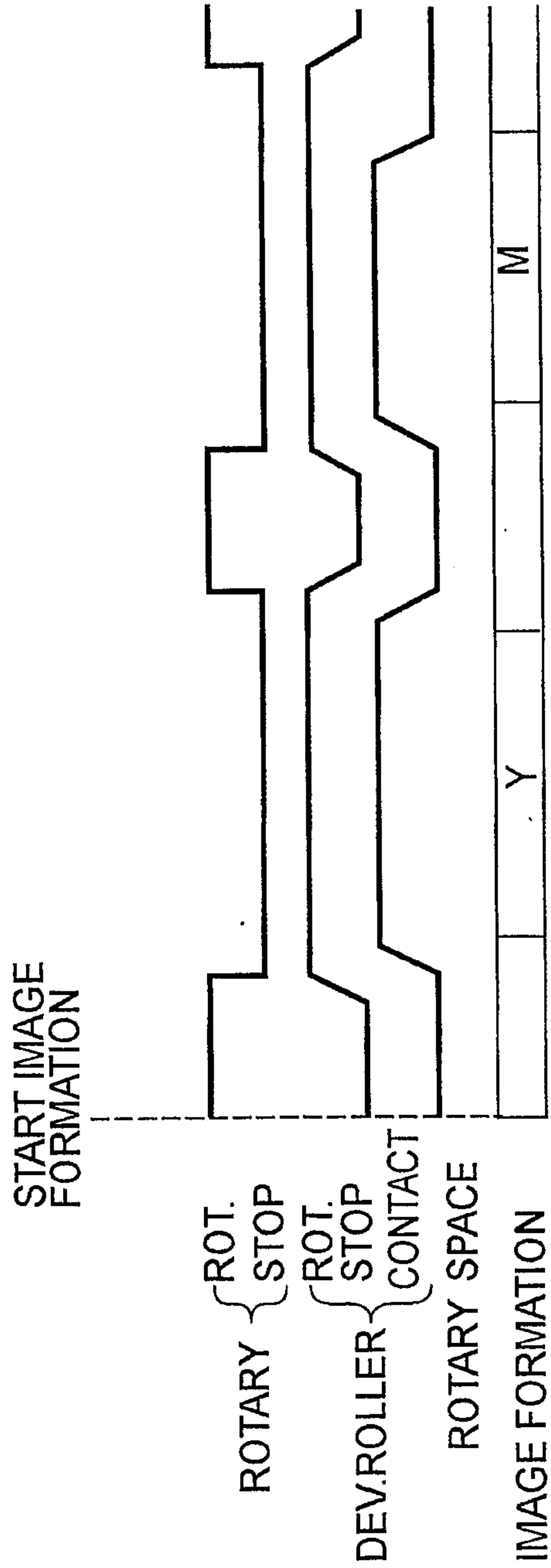


FIG.26

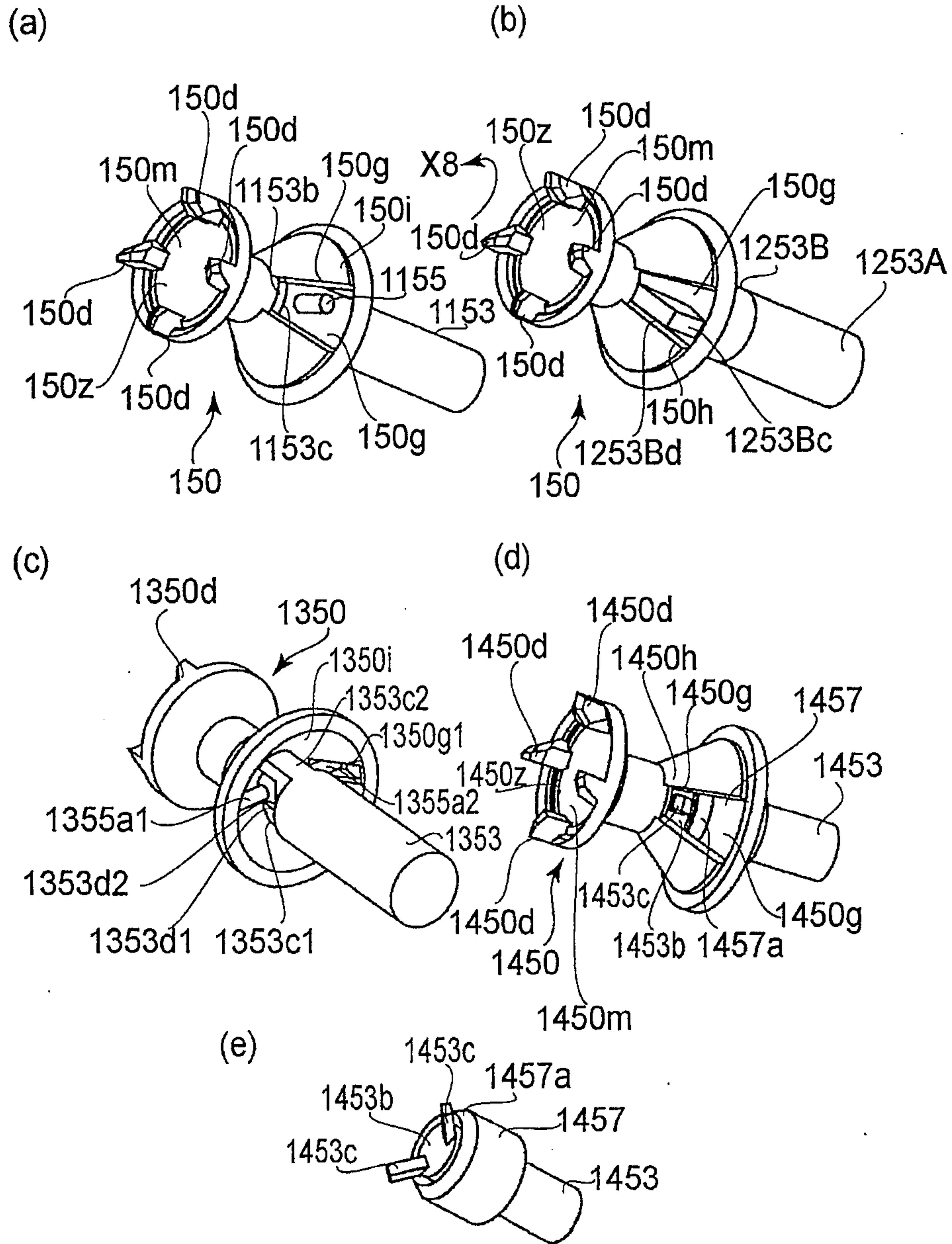


FIG.27

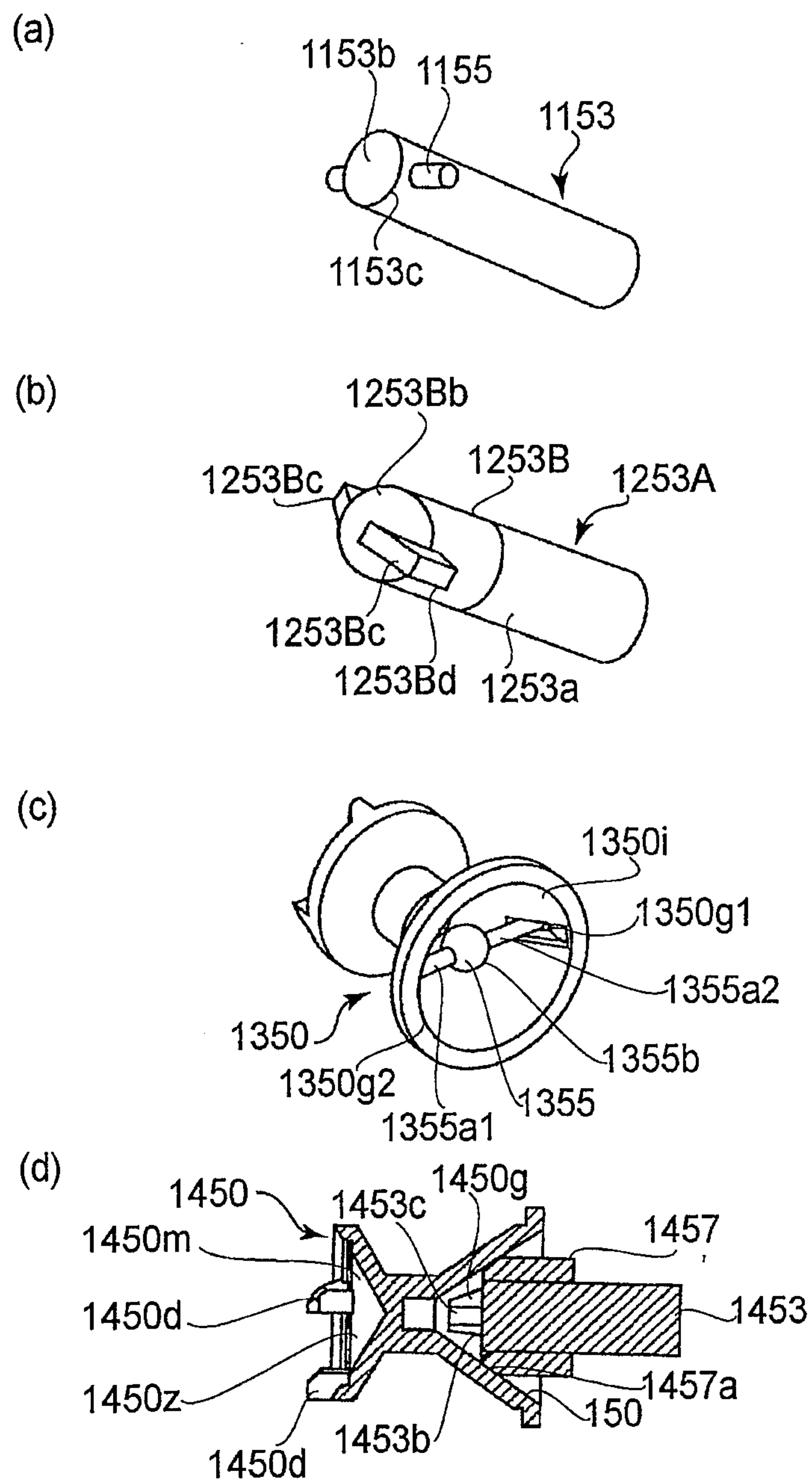


FIG. 28

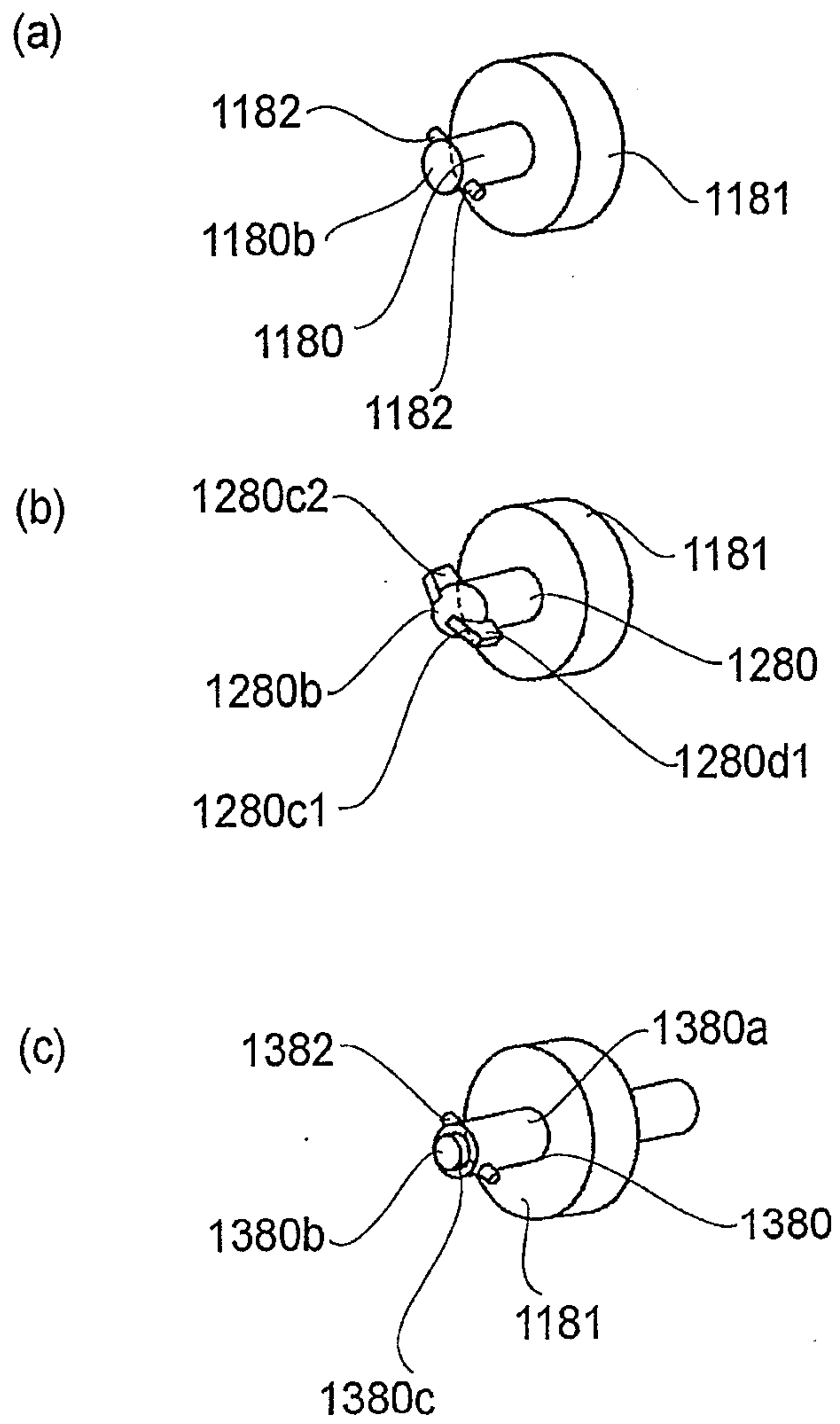


FIG.29

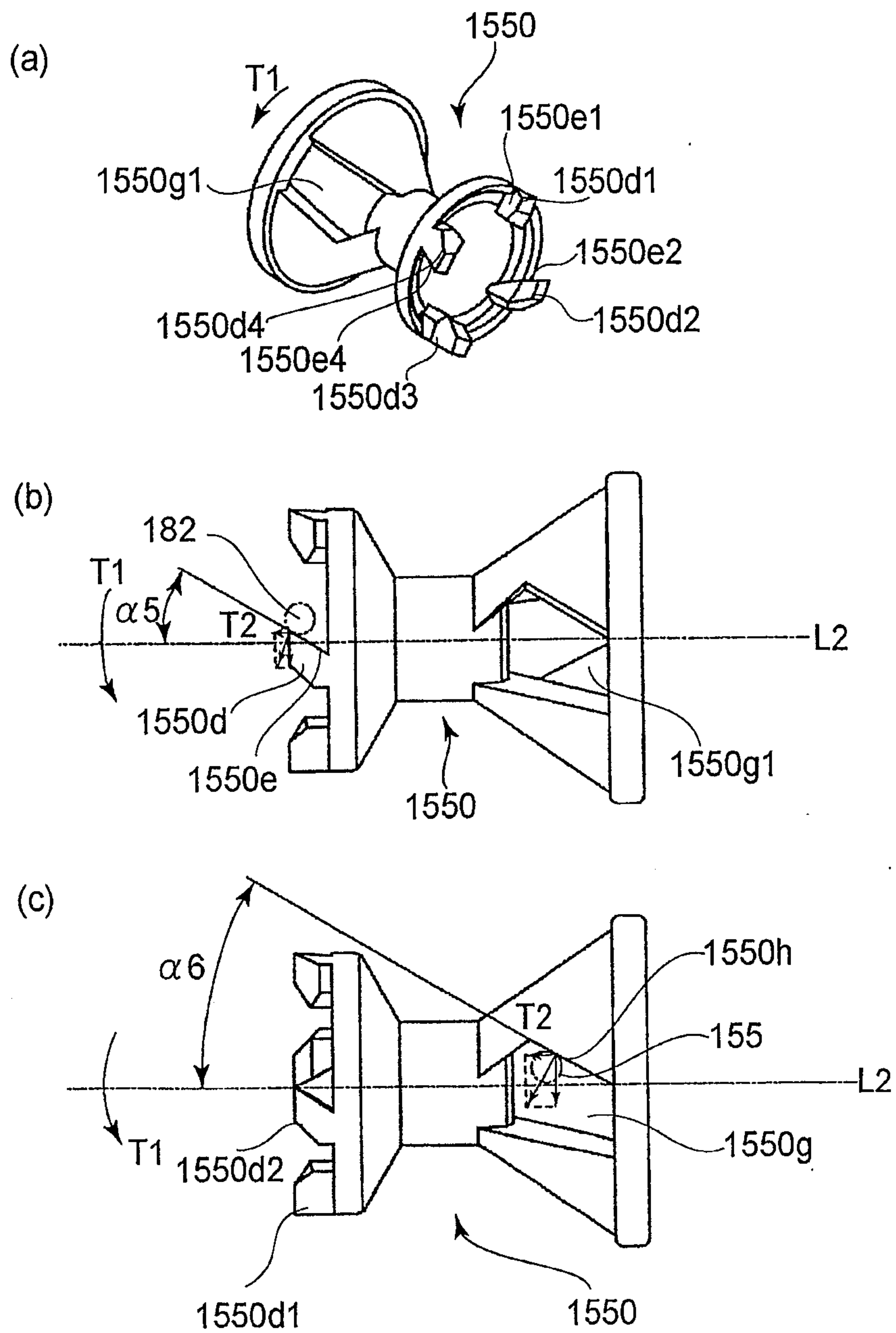


FIG. 30

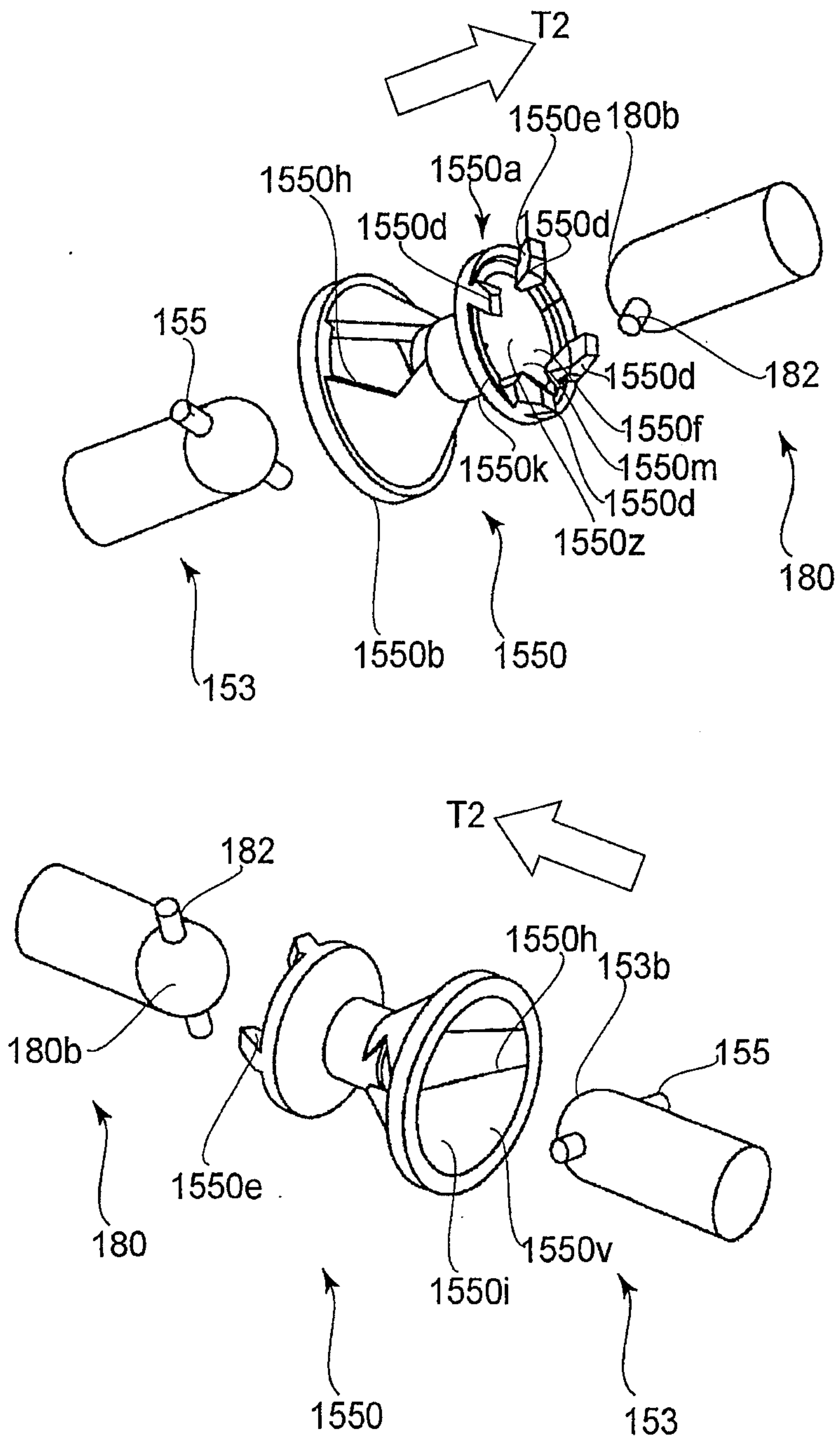


FIG. 31

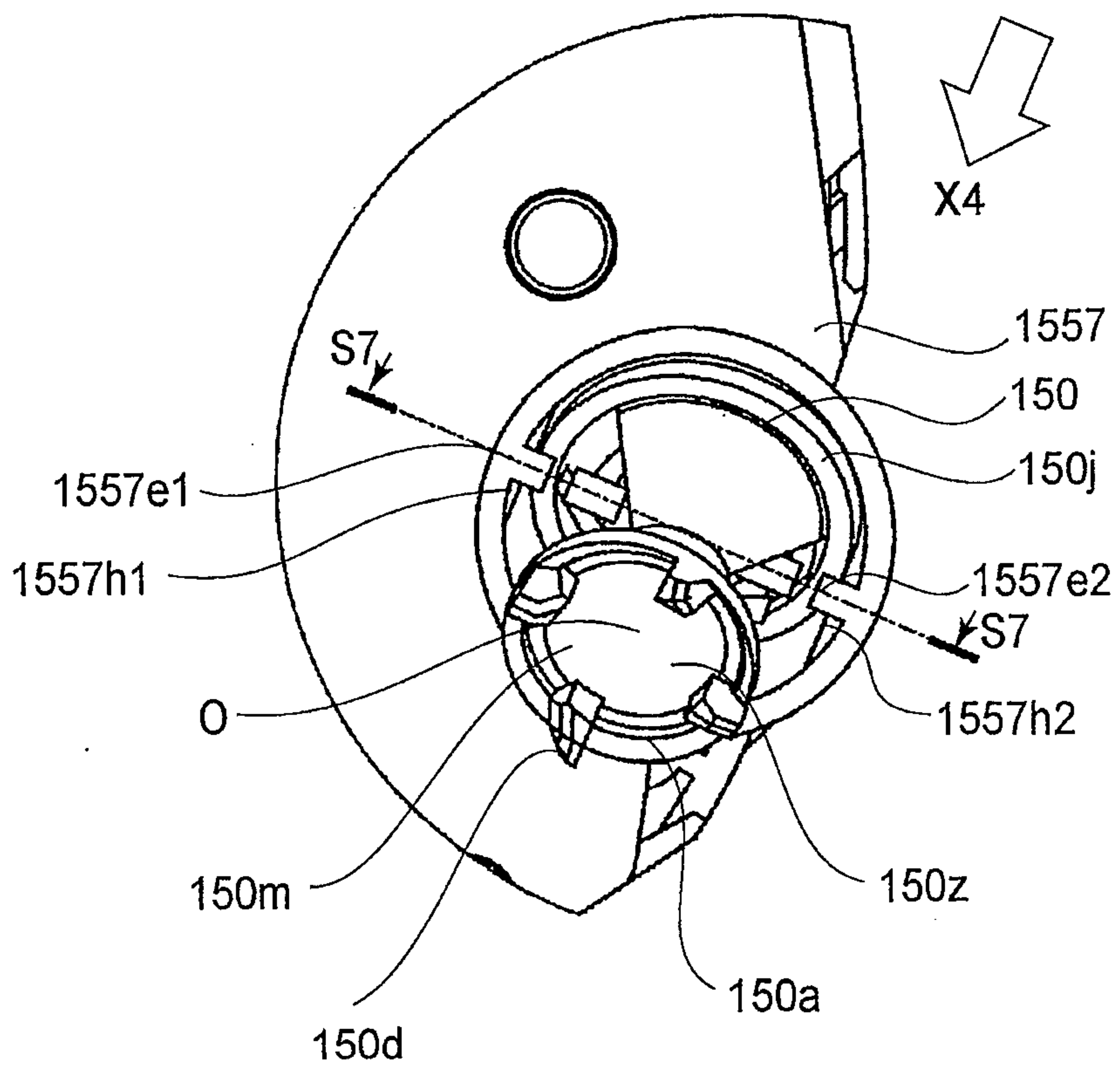


FIG. 32

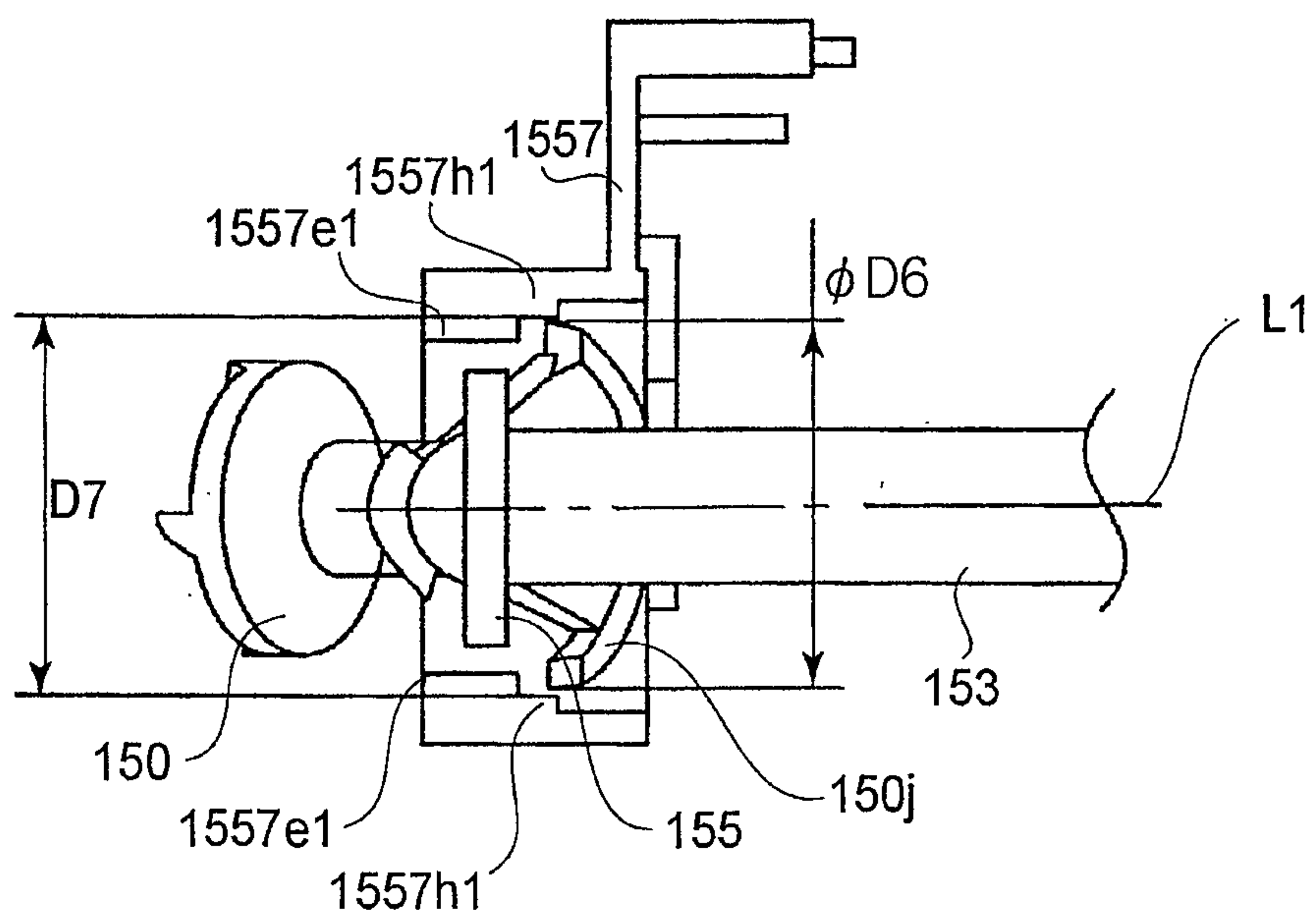


FIG. 33

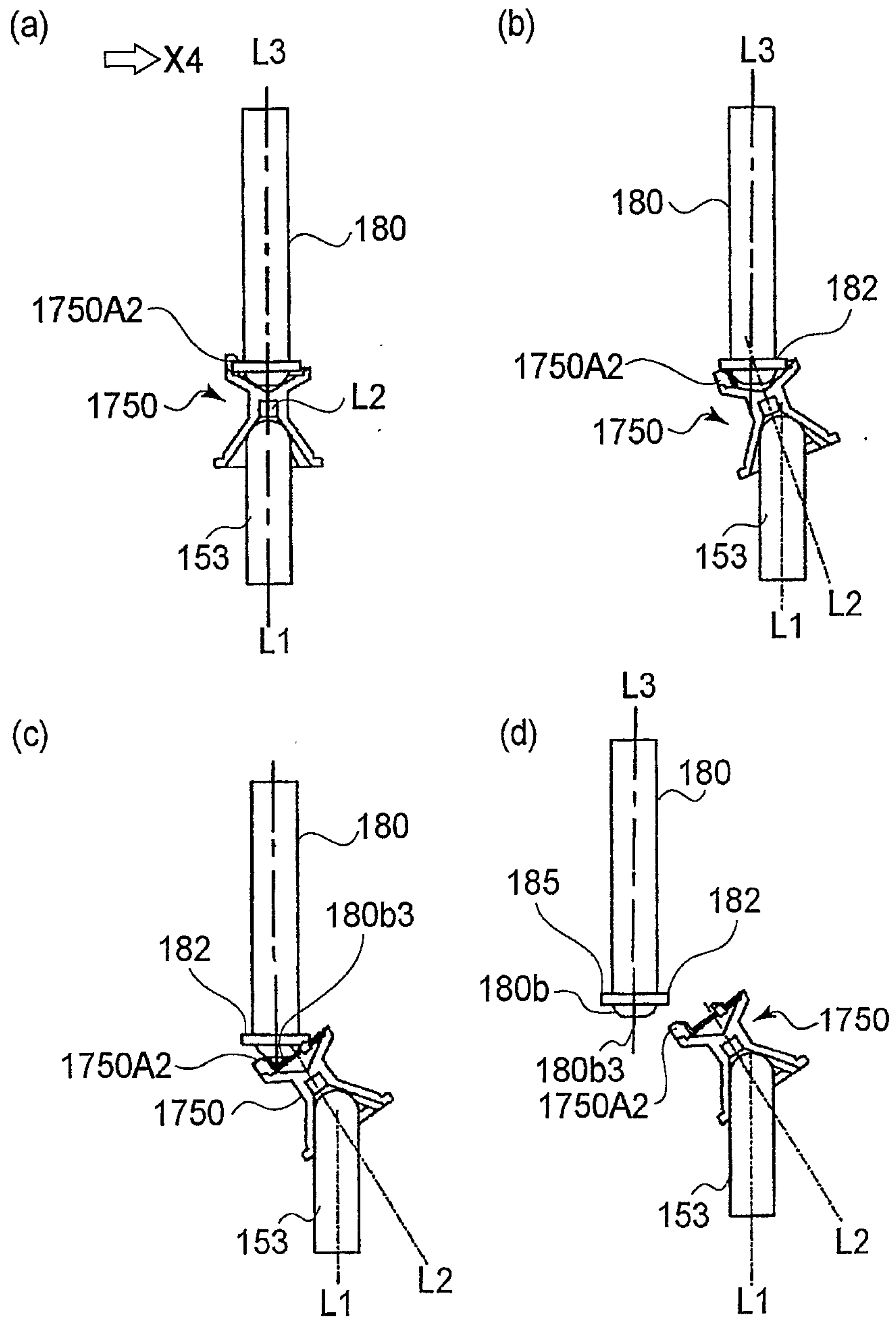


FIG. 34

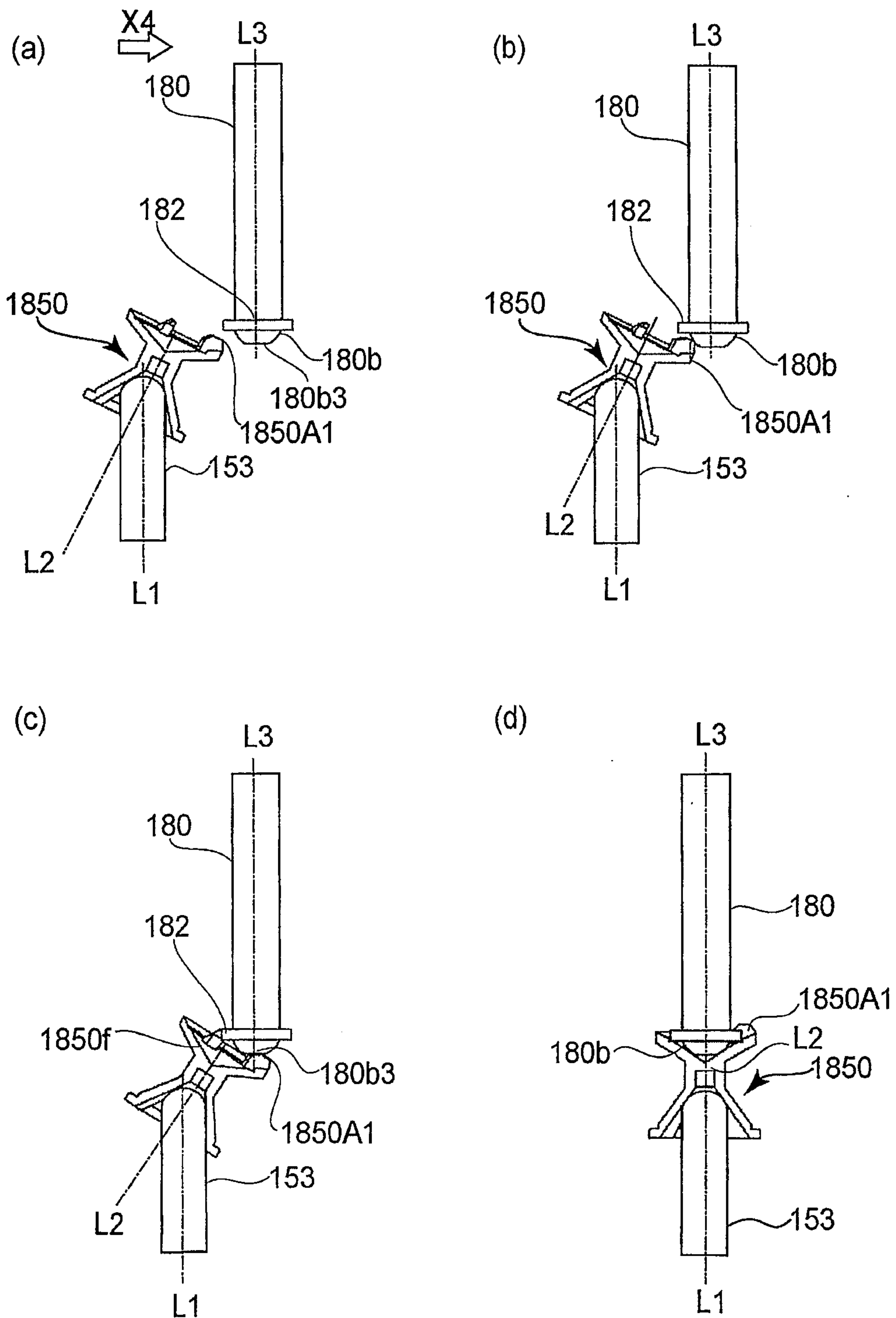


FIG. 35

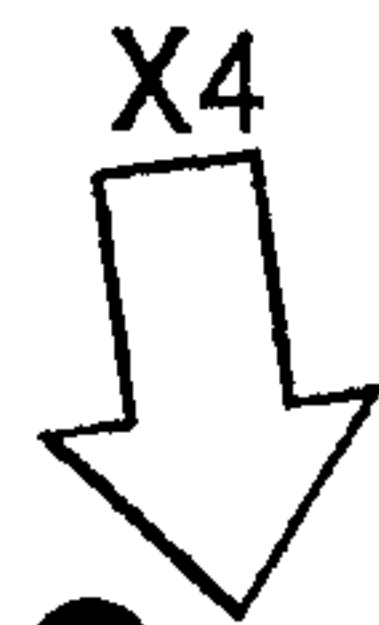
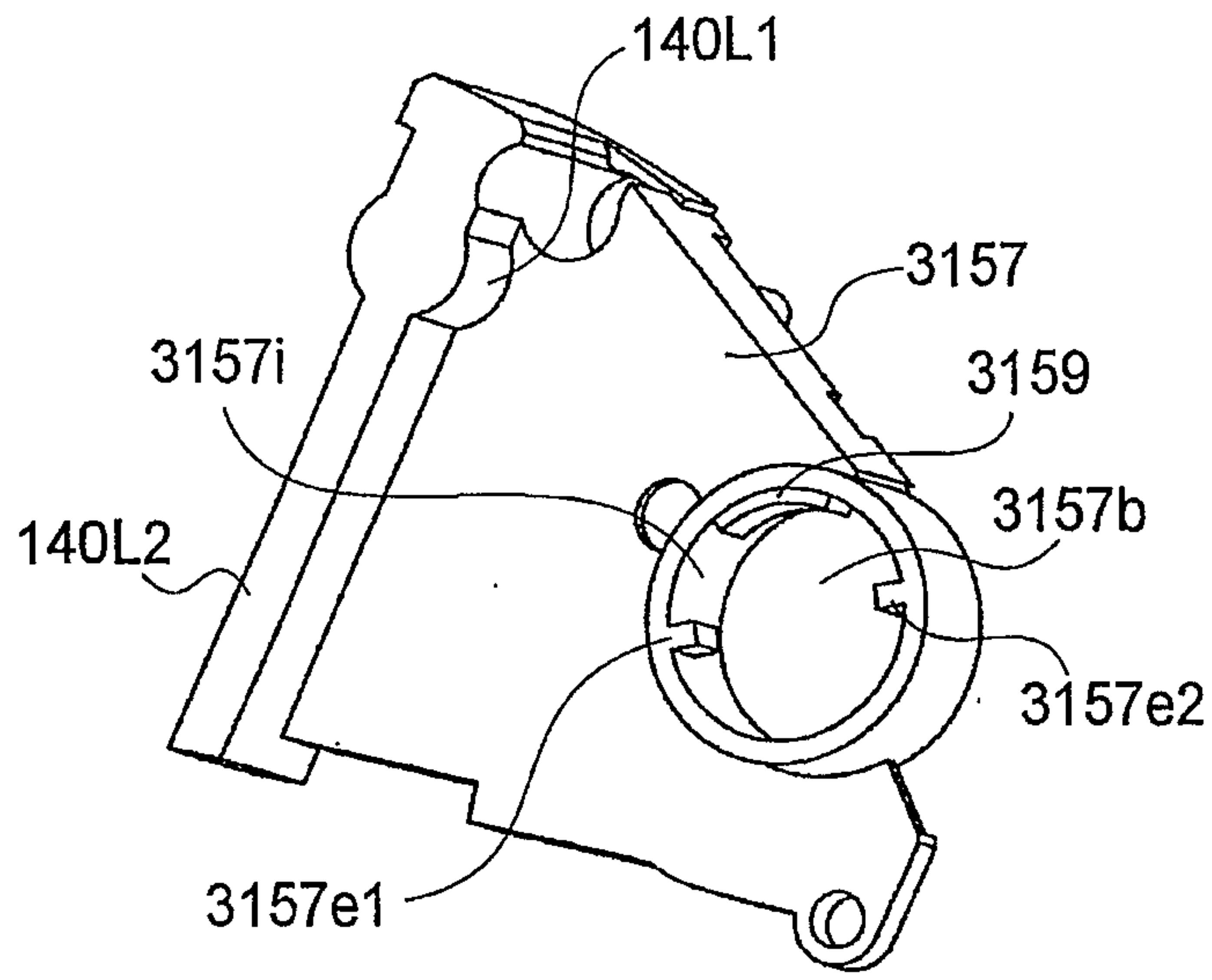


FIG. 36

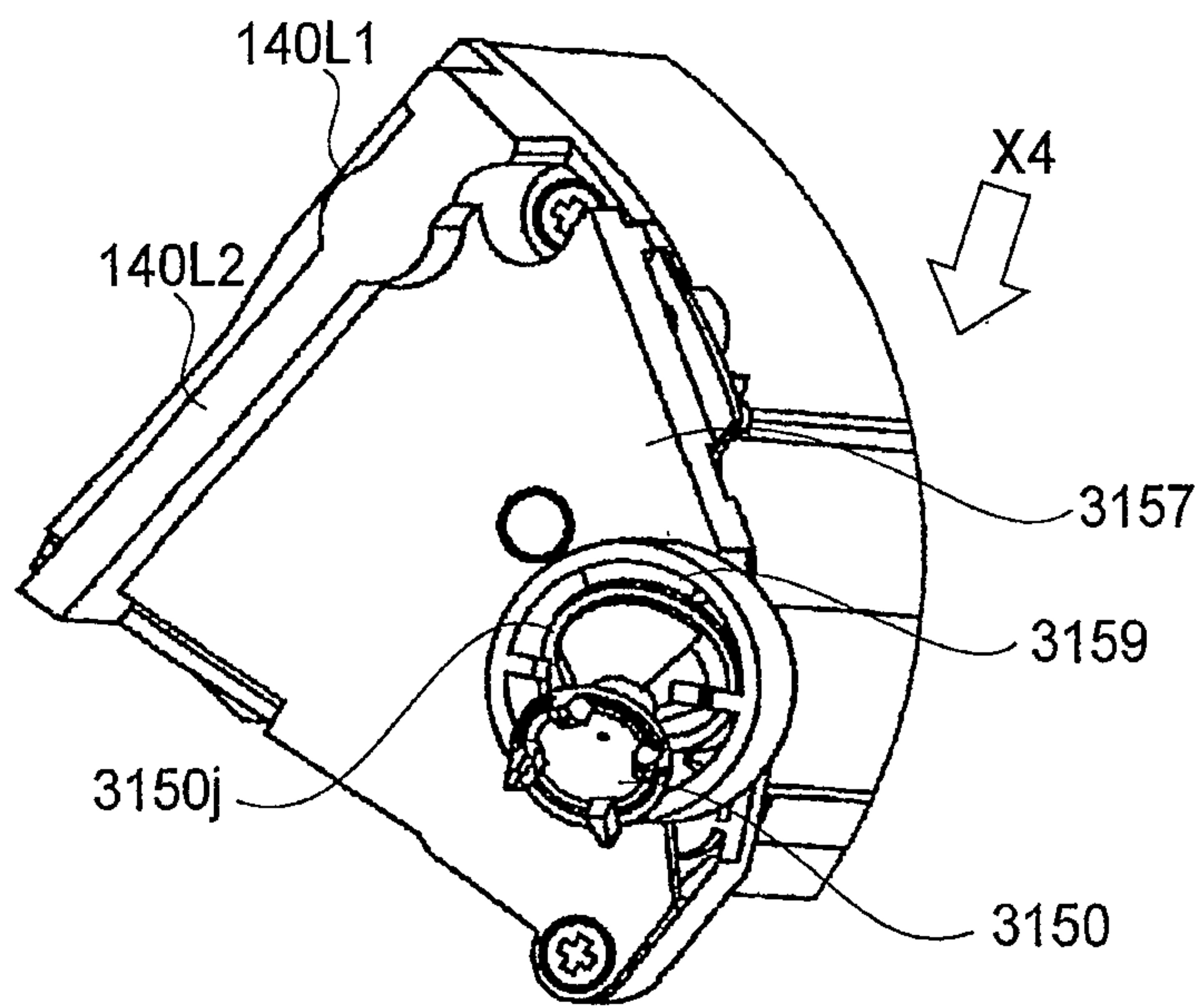


FIG. 37

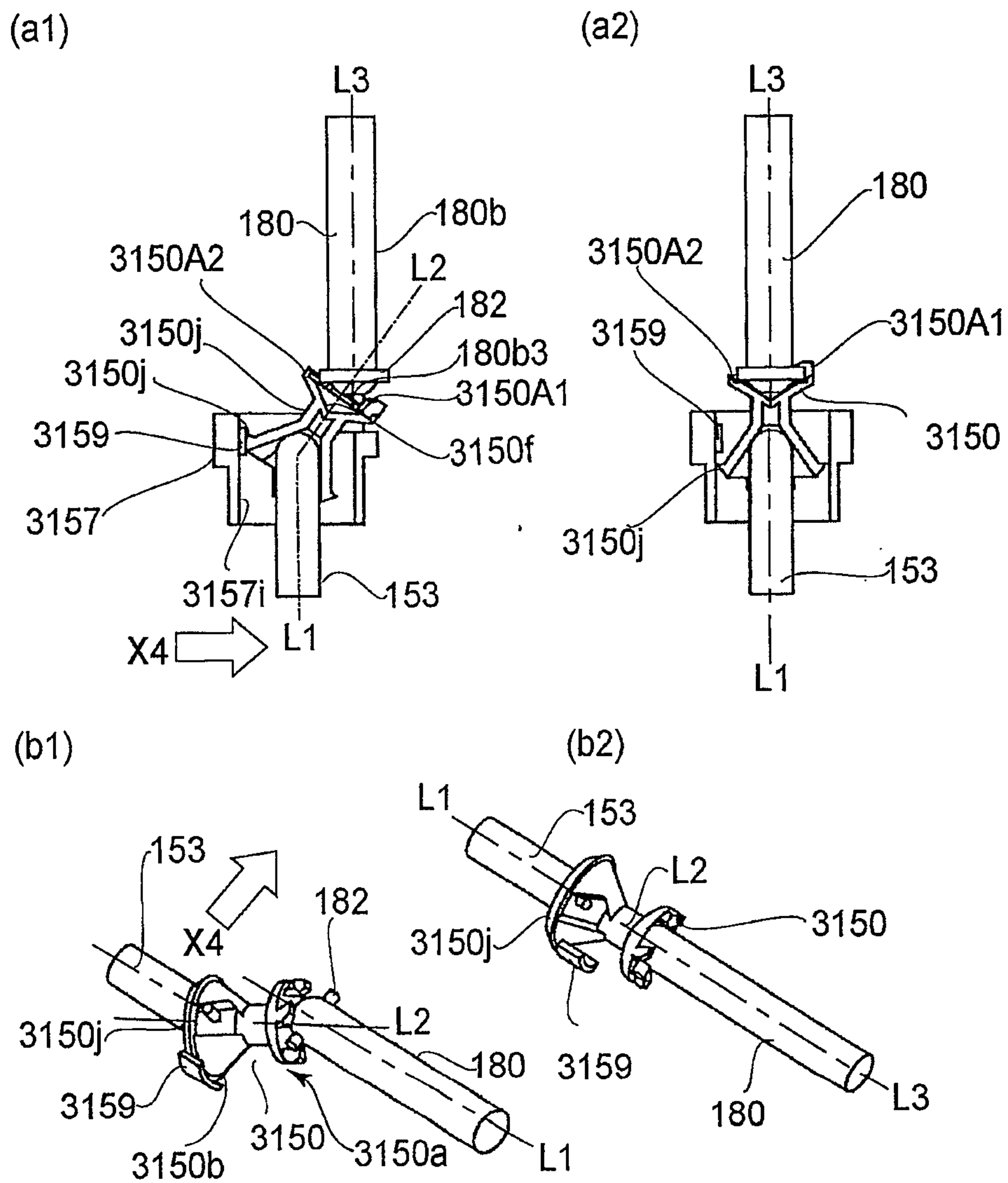


FIG. 38

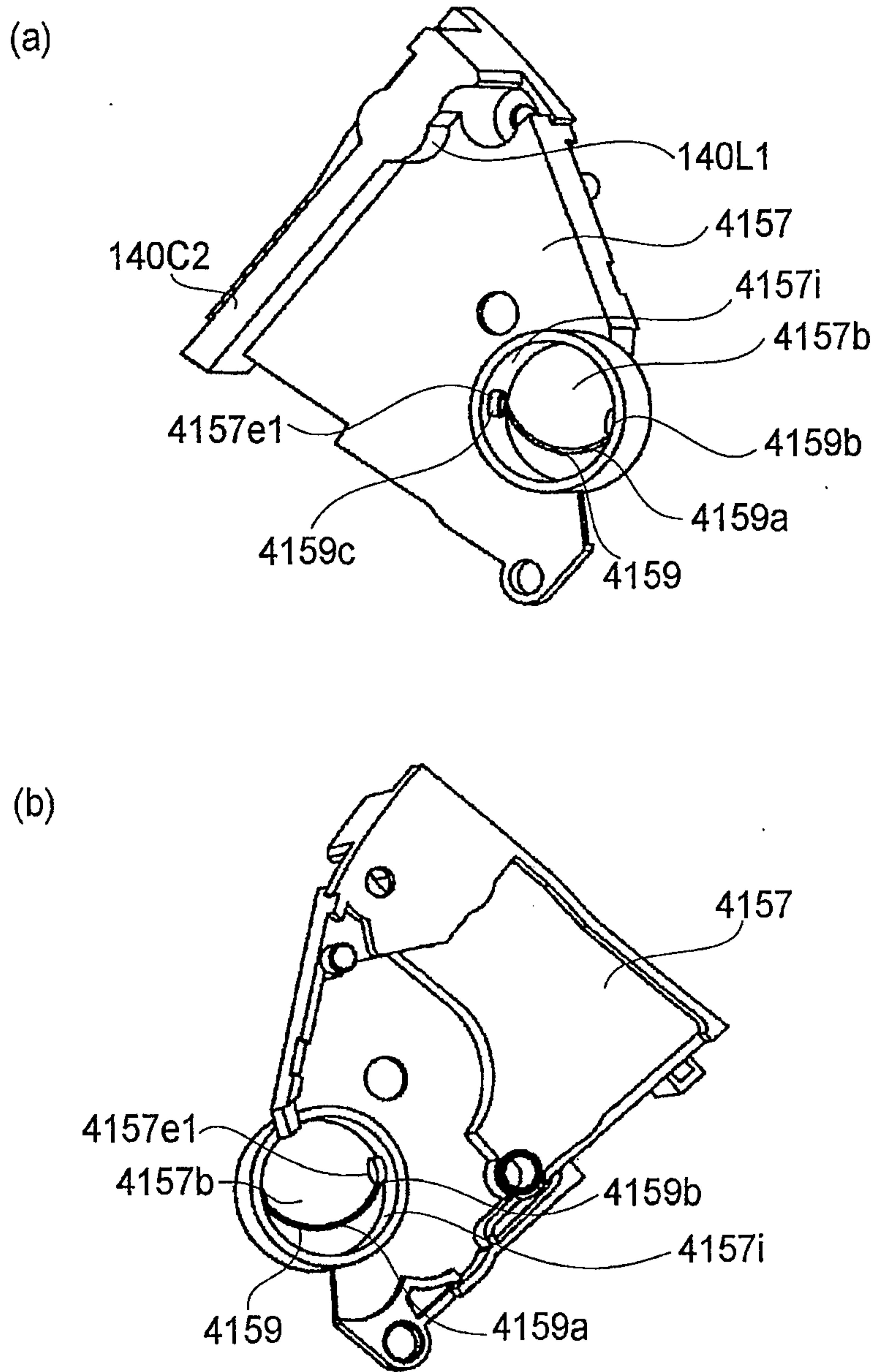


FIG.39

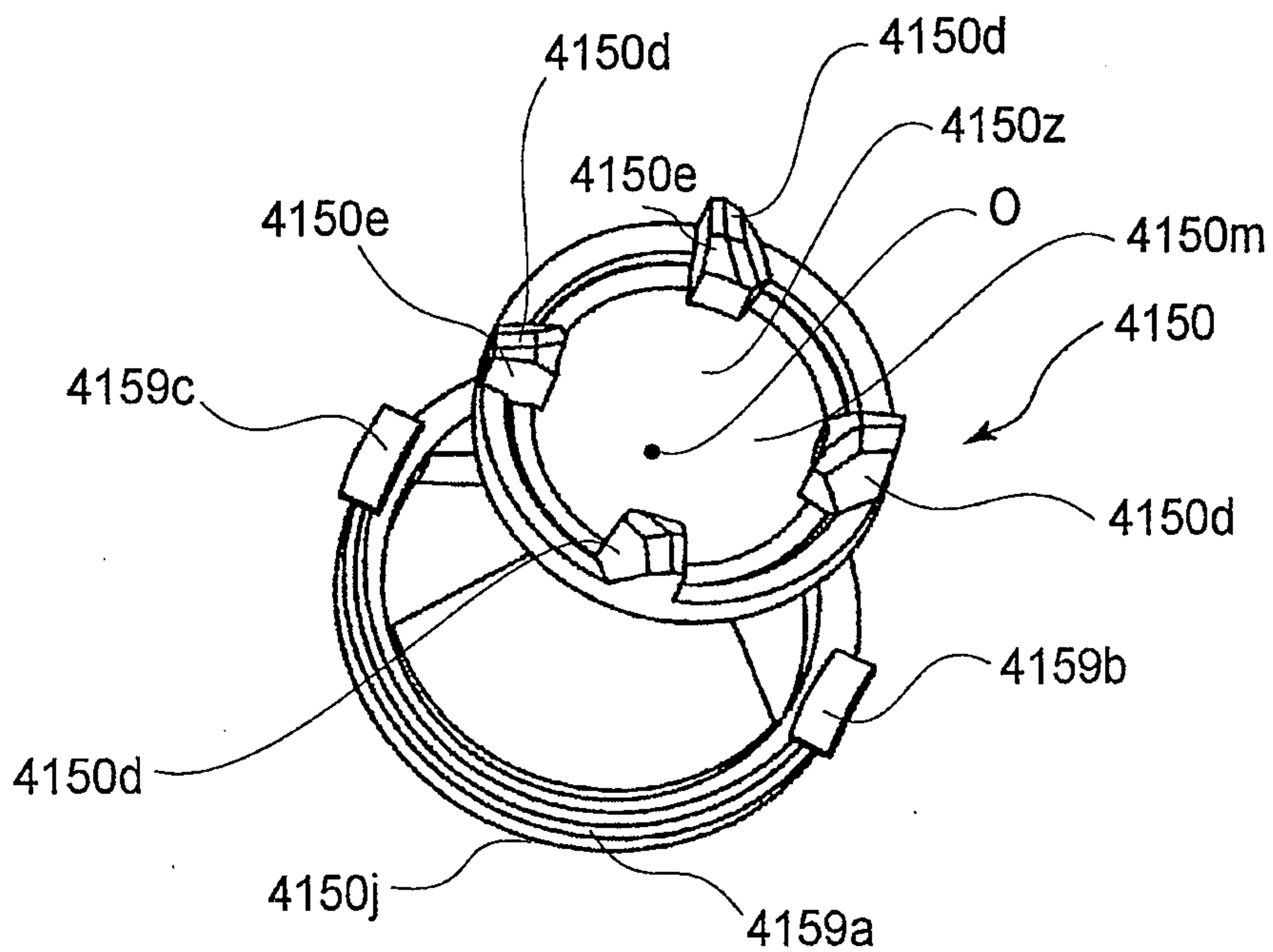


FIG.40

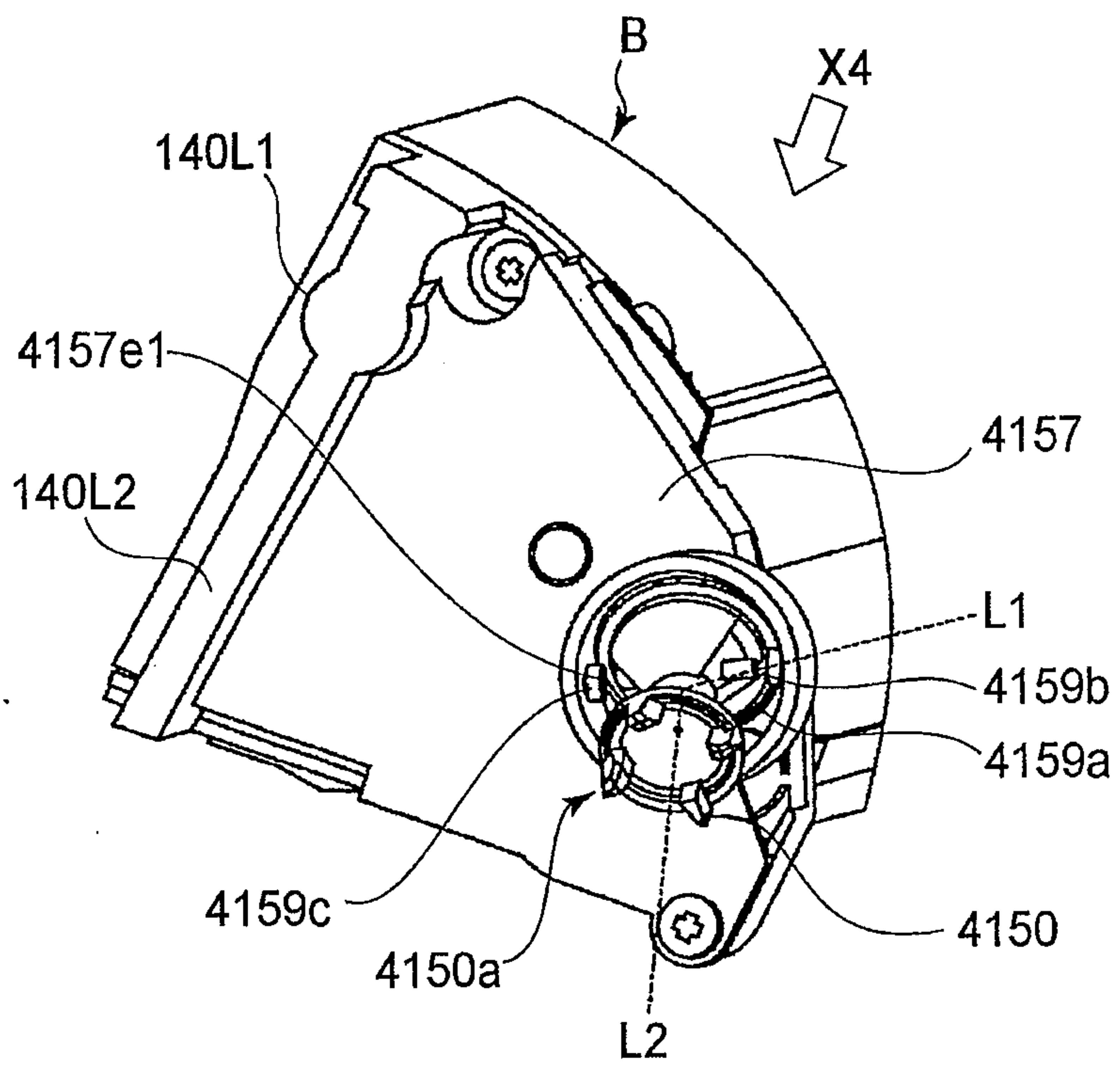


FIG. 41

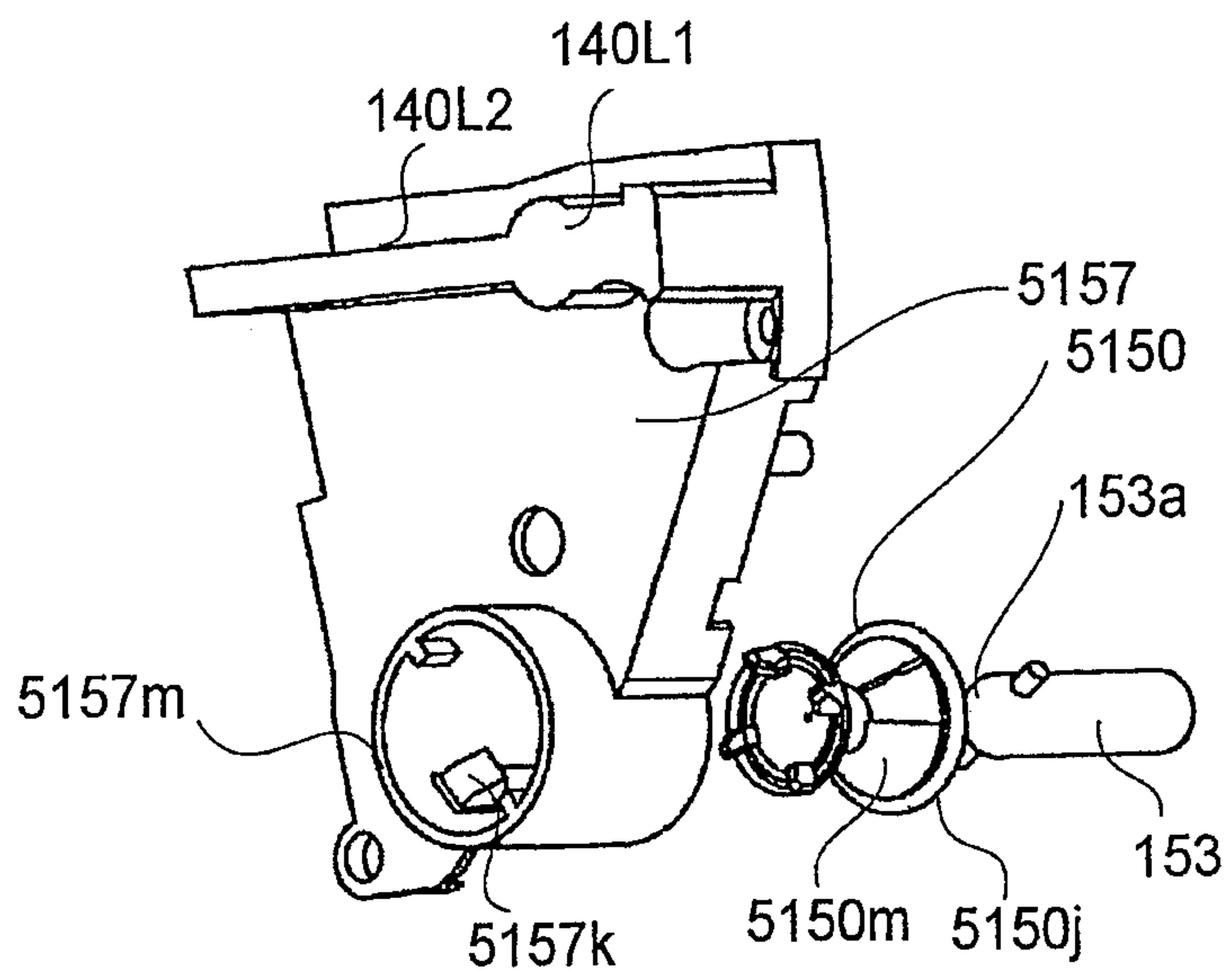


FIG. 43

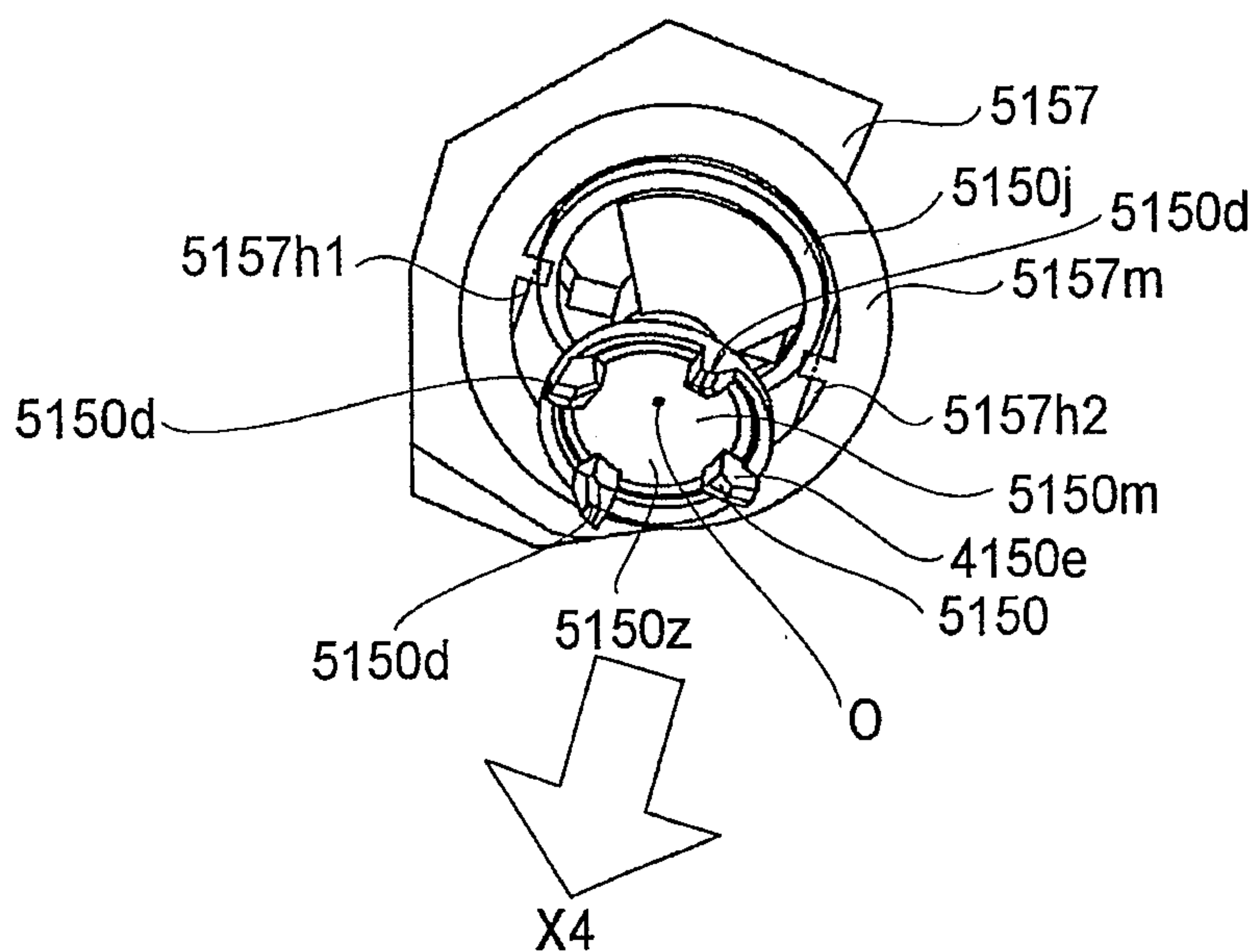


FIG. 44

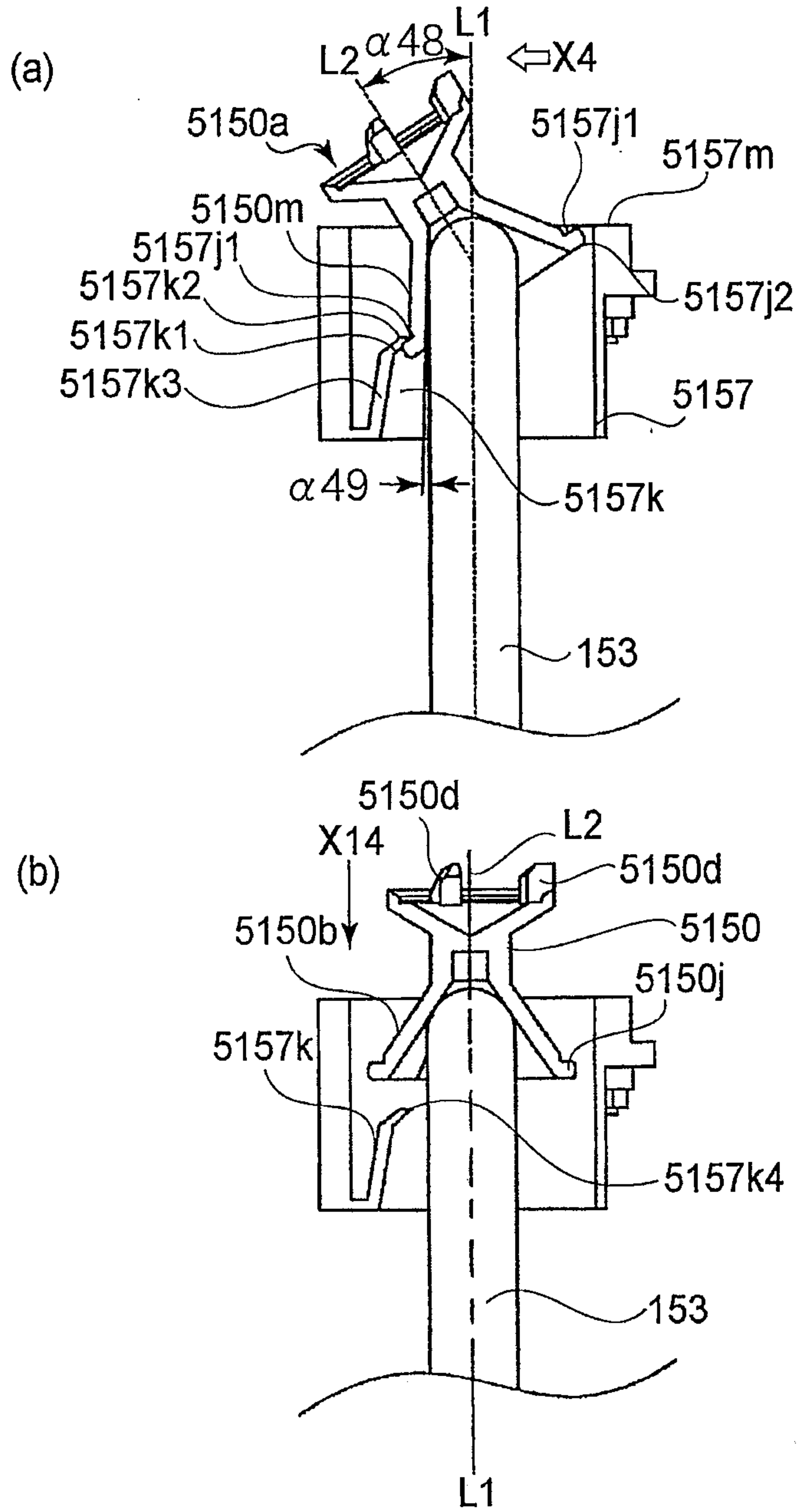


FIG.45

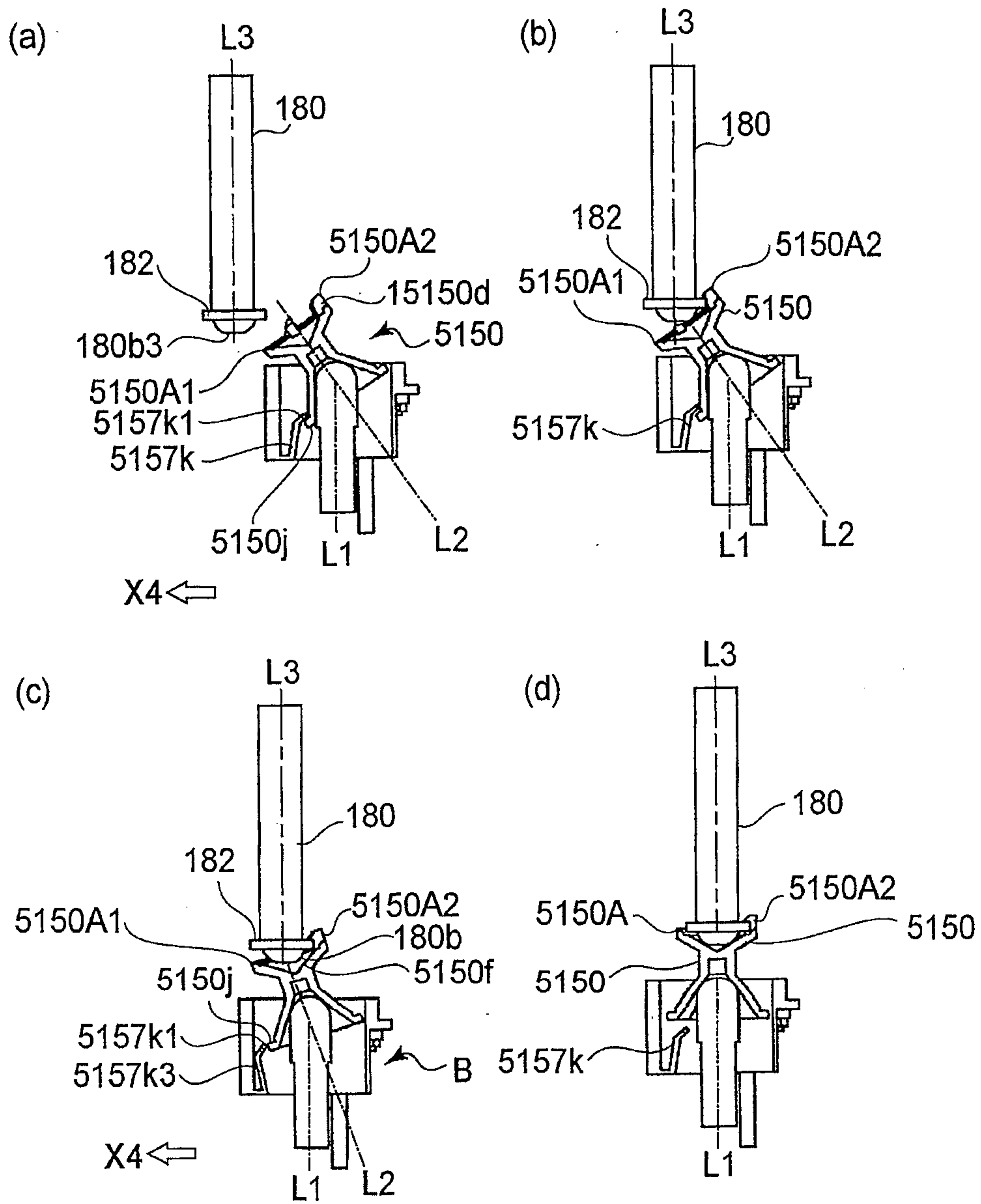


FIG. 46

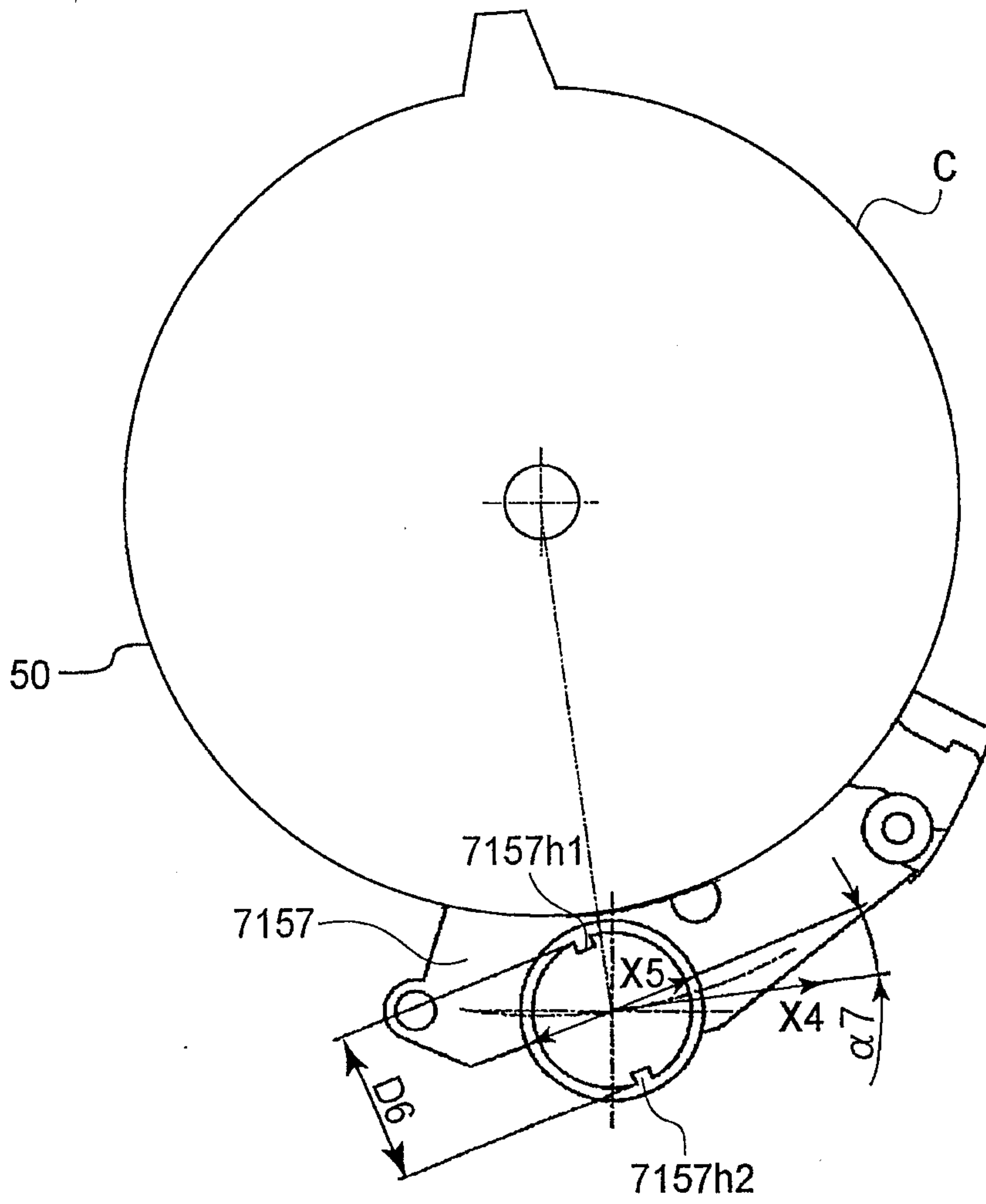


FIG.47

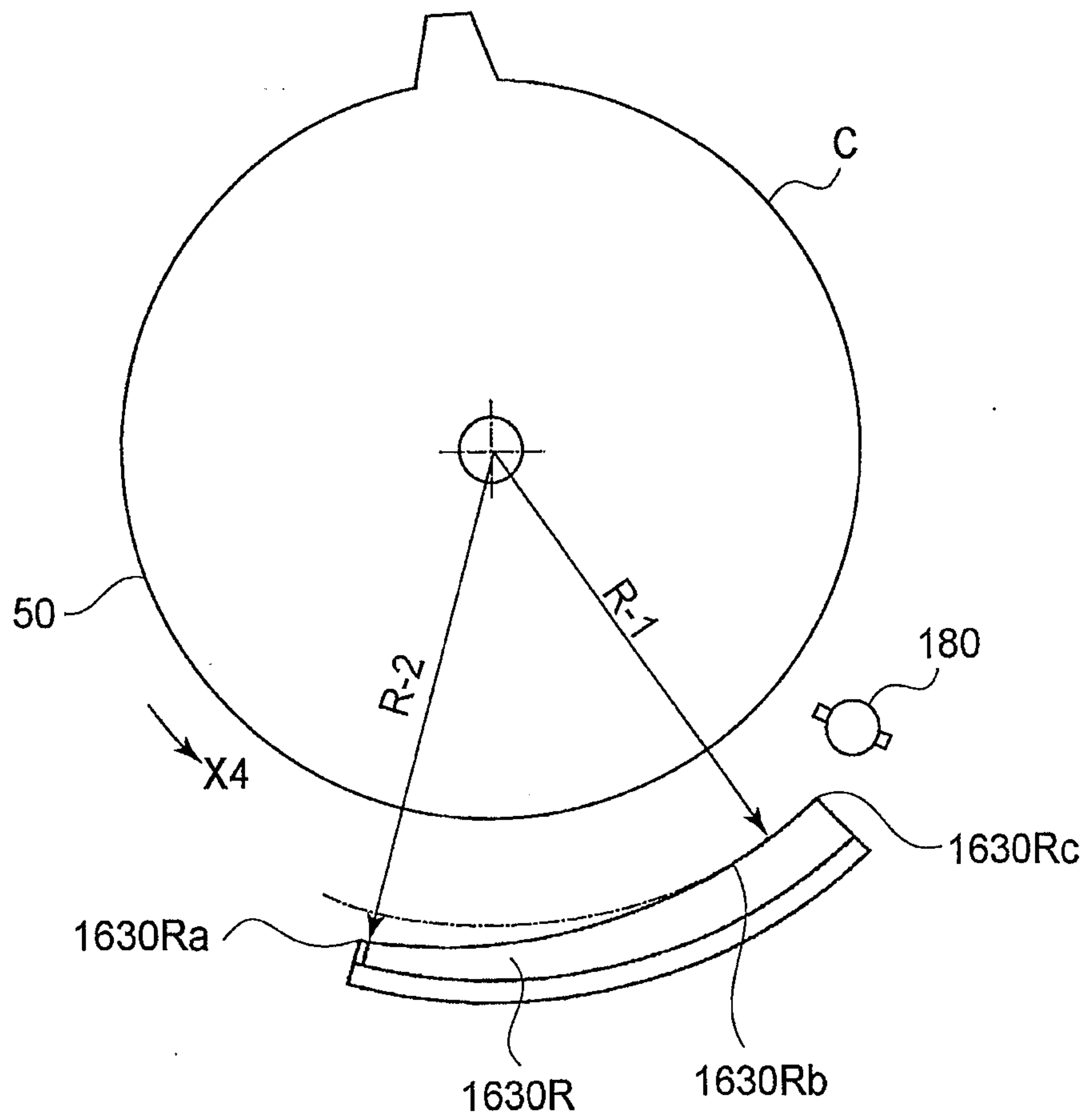


FIG.48

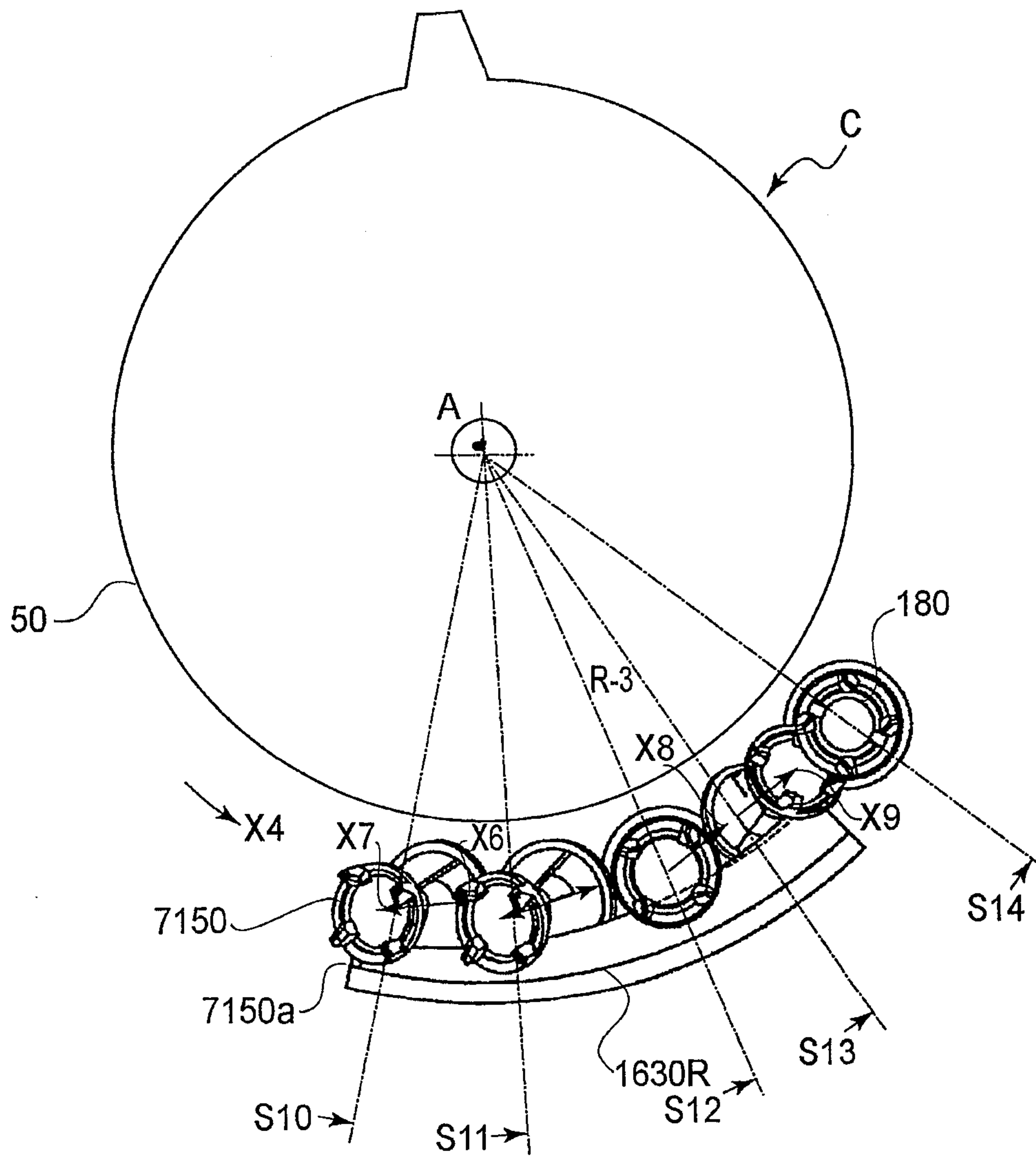


FIG.49

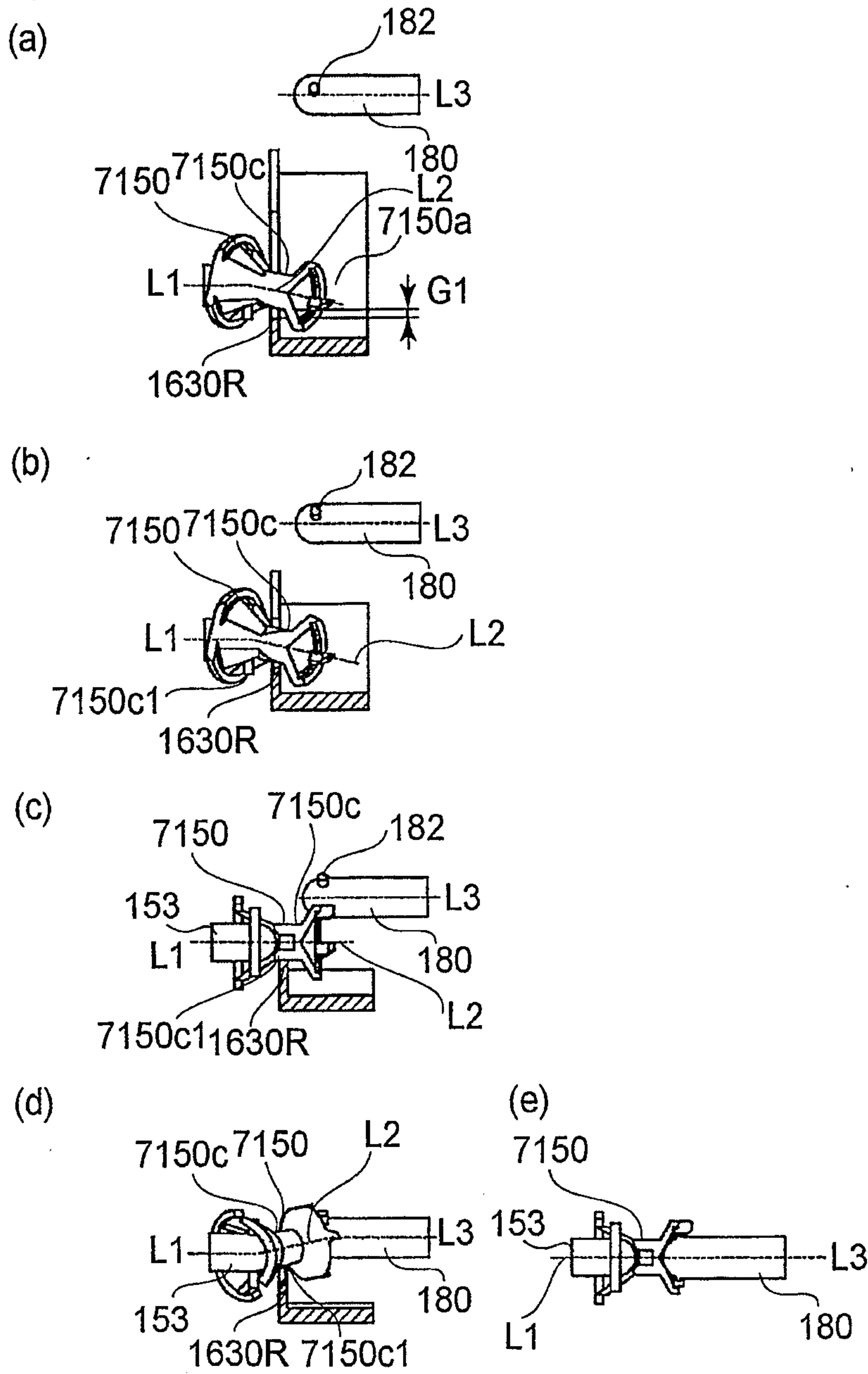


FIG. 50.

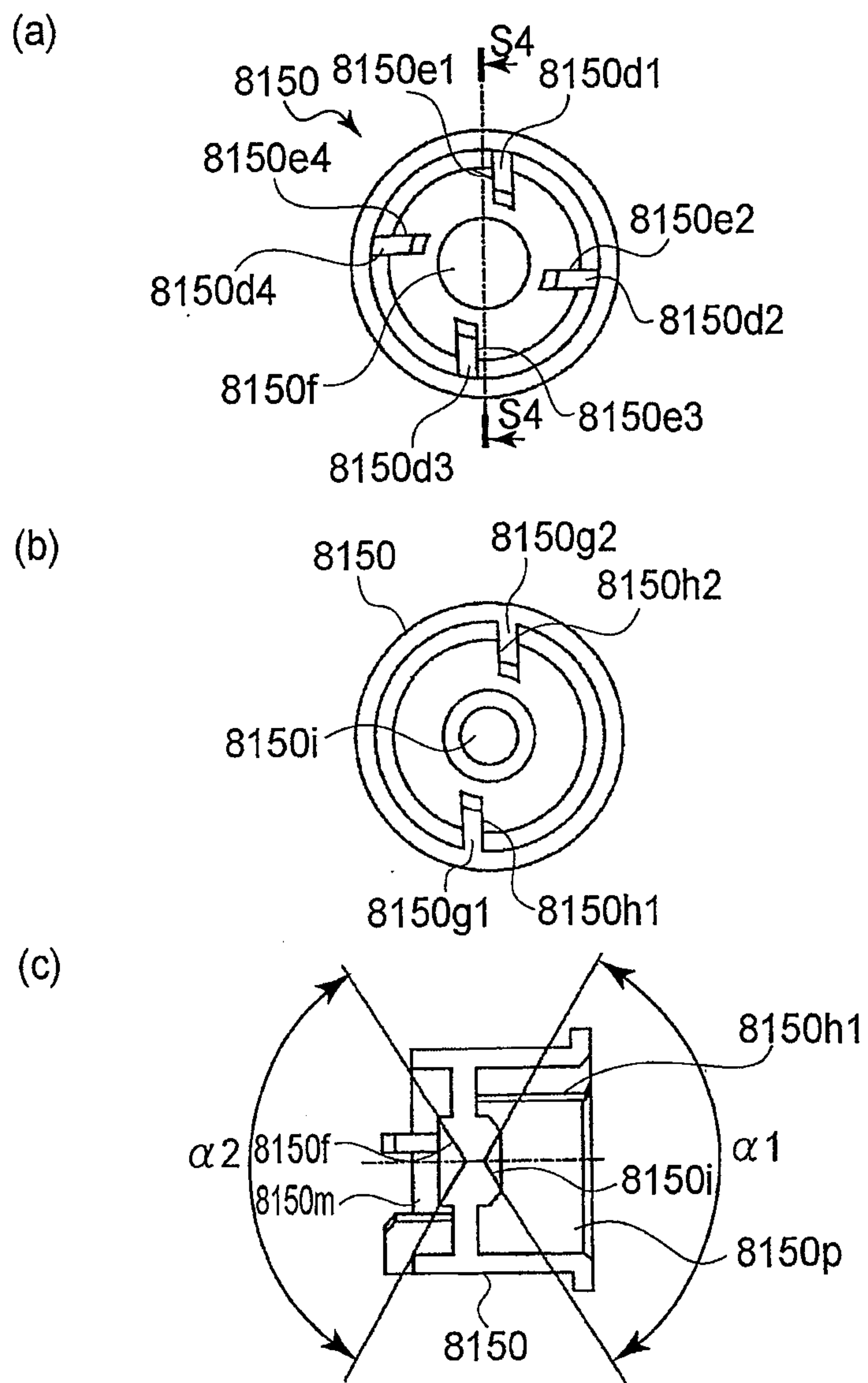


FIG. 51

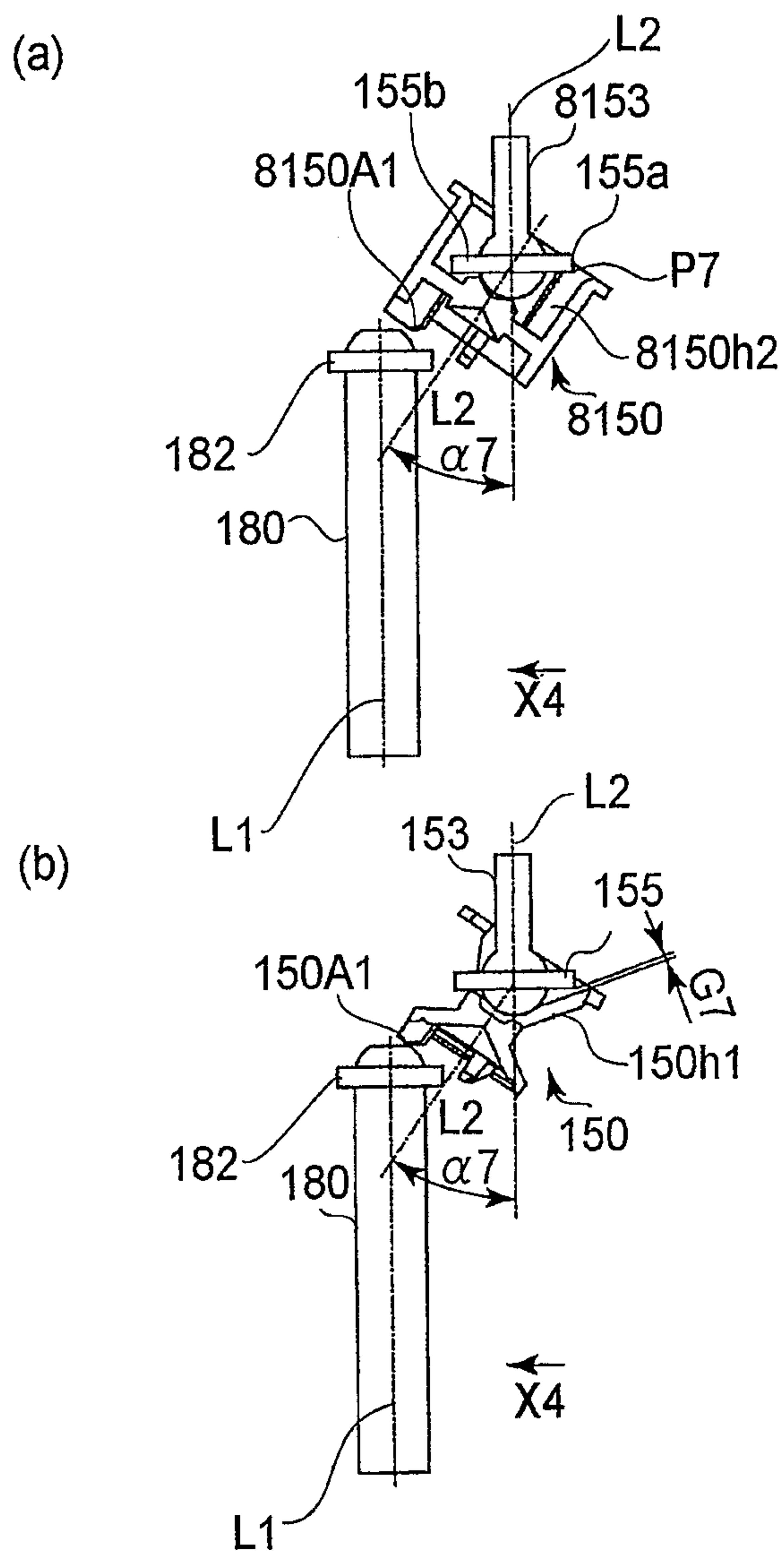


FIG.52

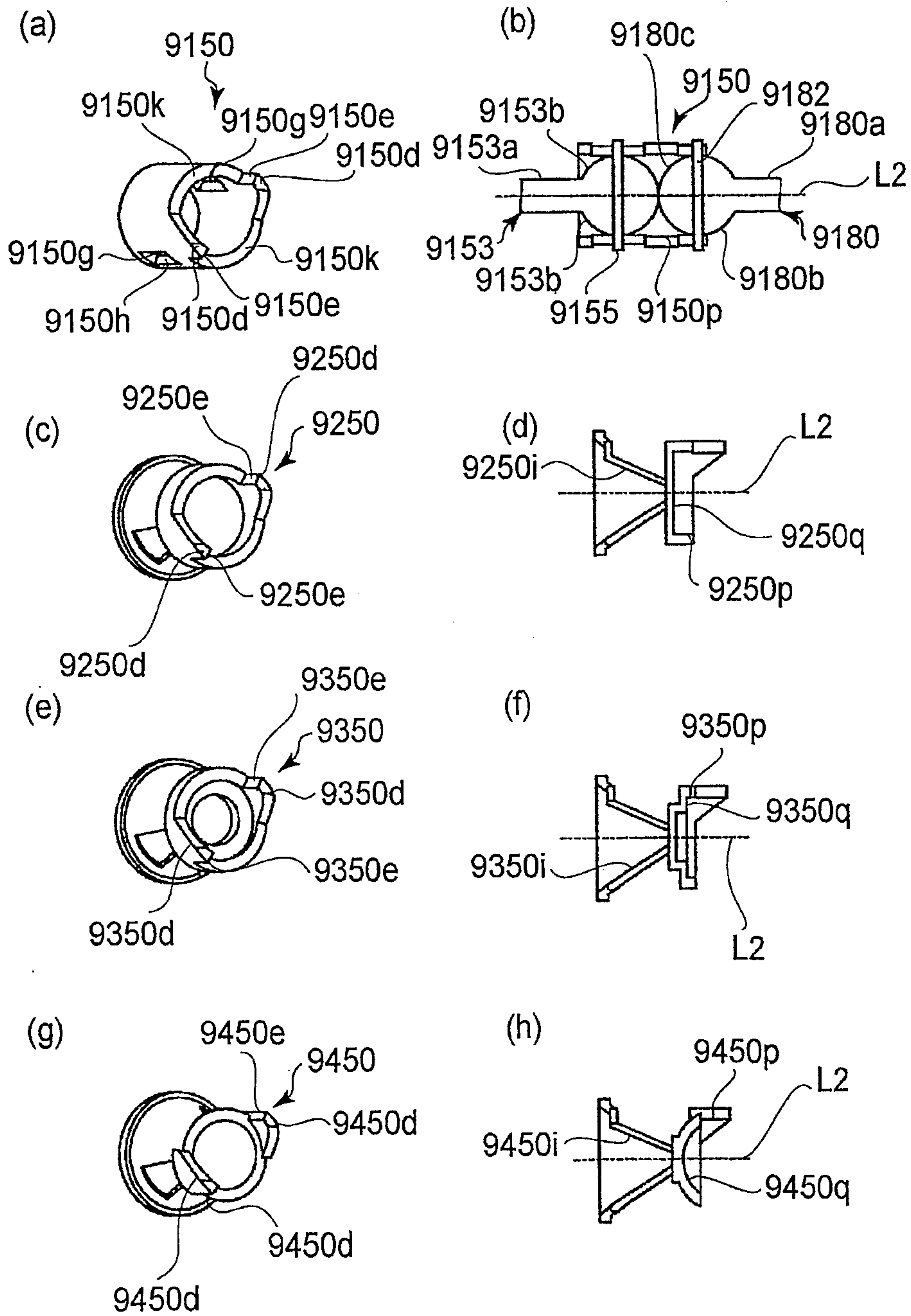


FIG. 53

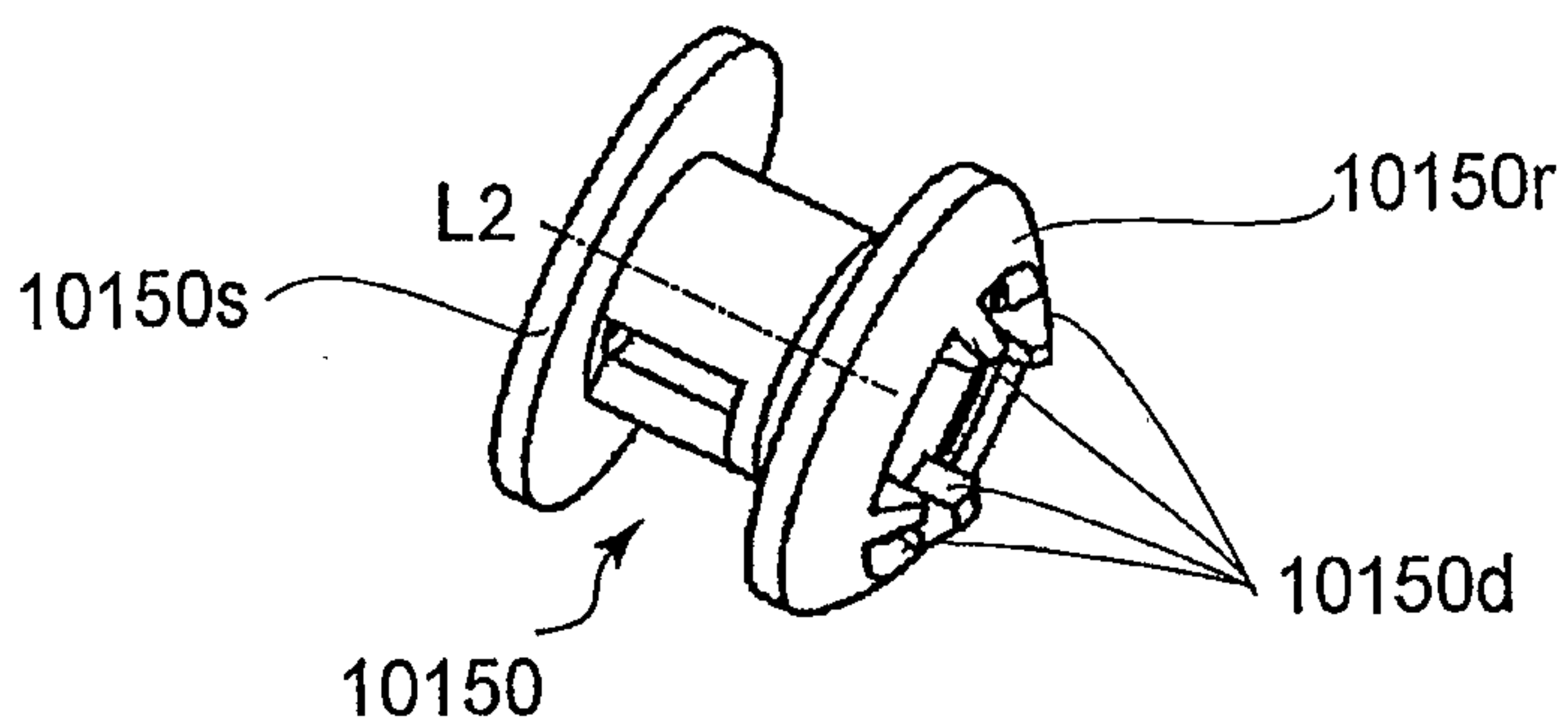


FIG. 54

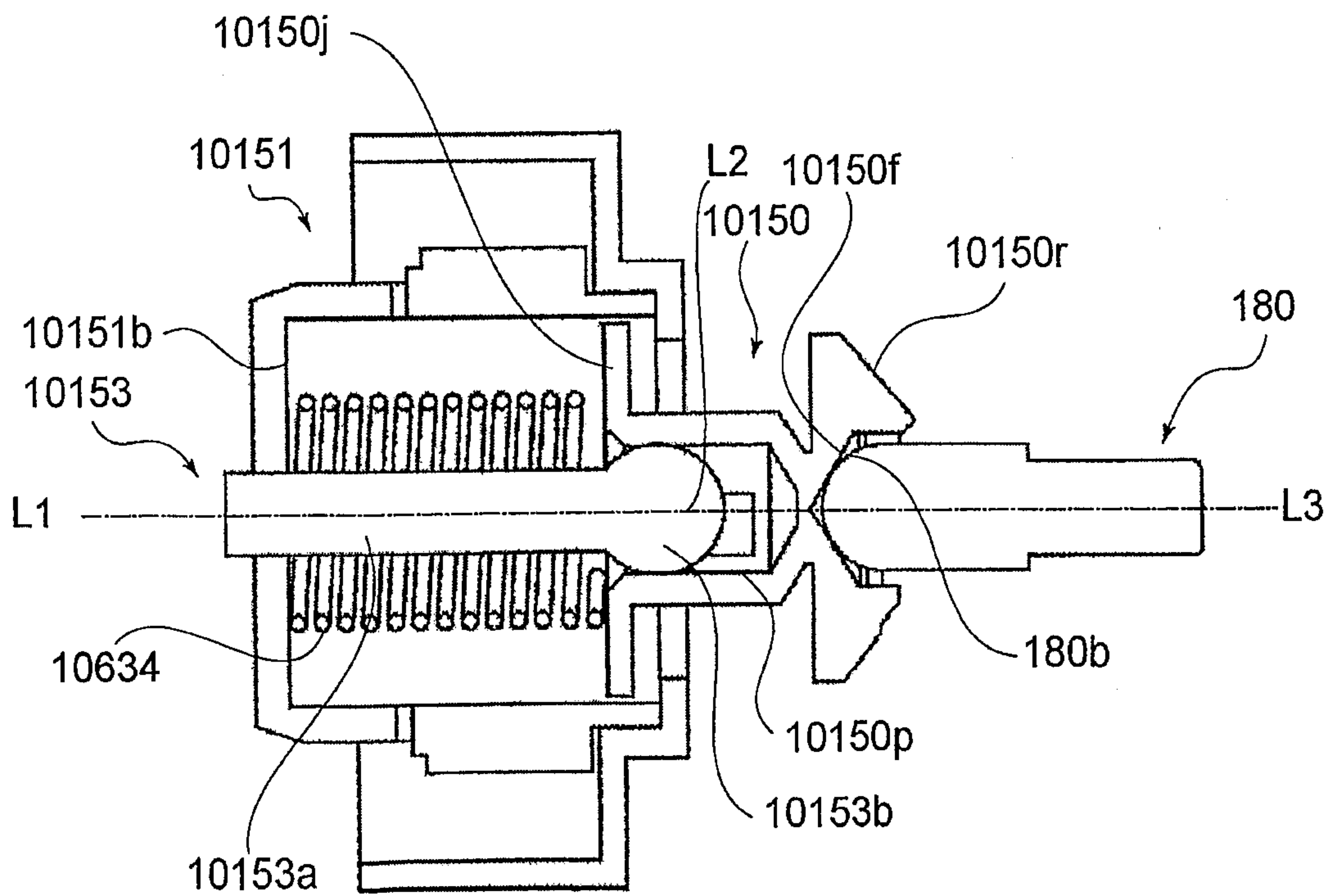


FIG. 55

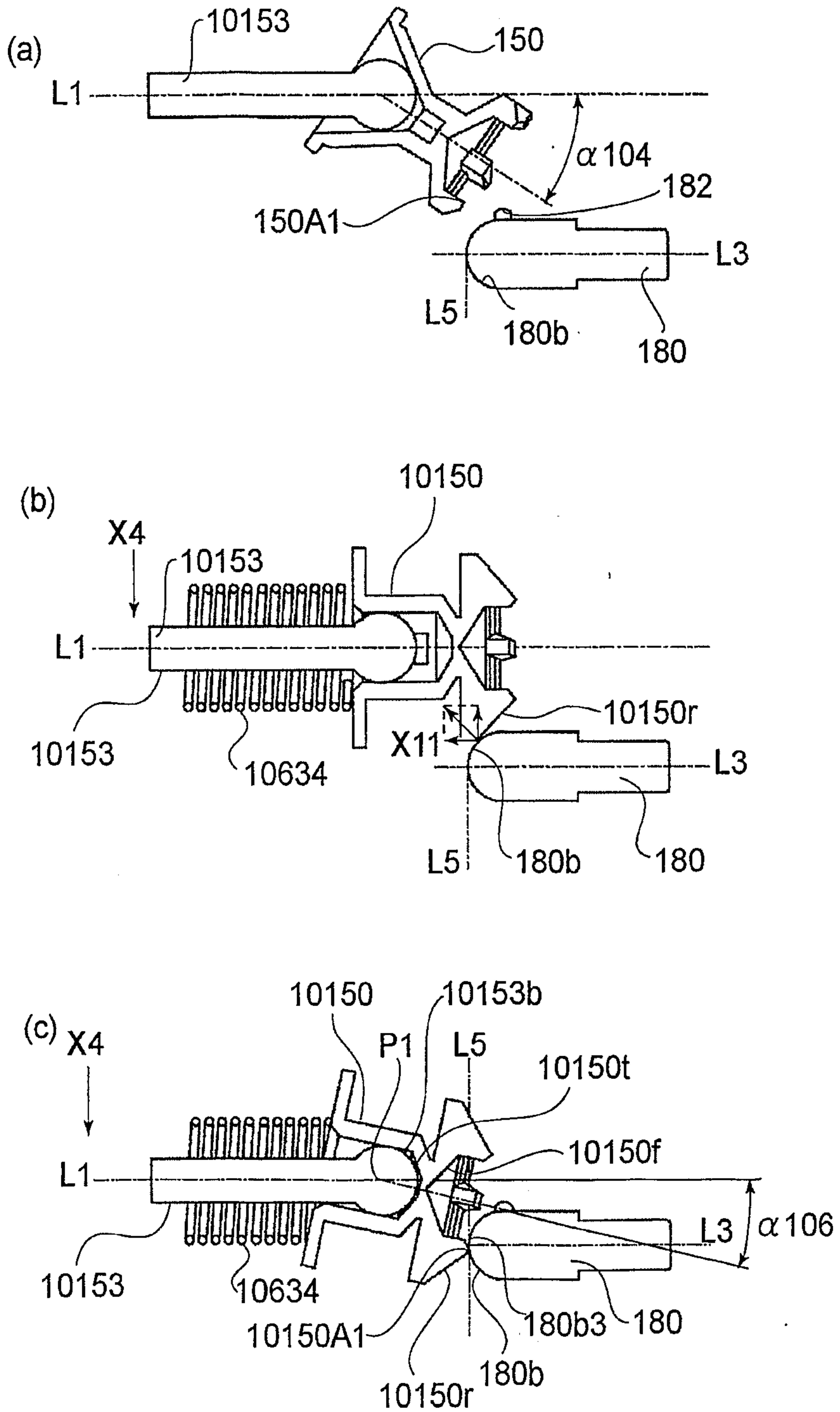


FIG. 56

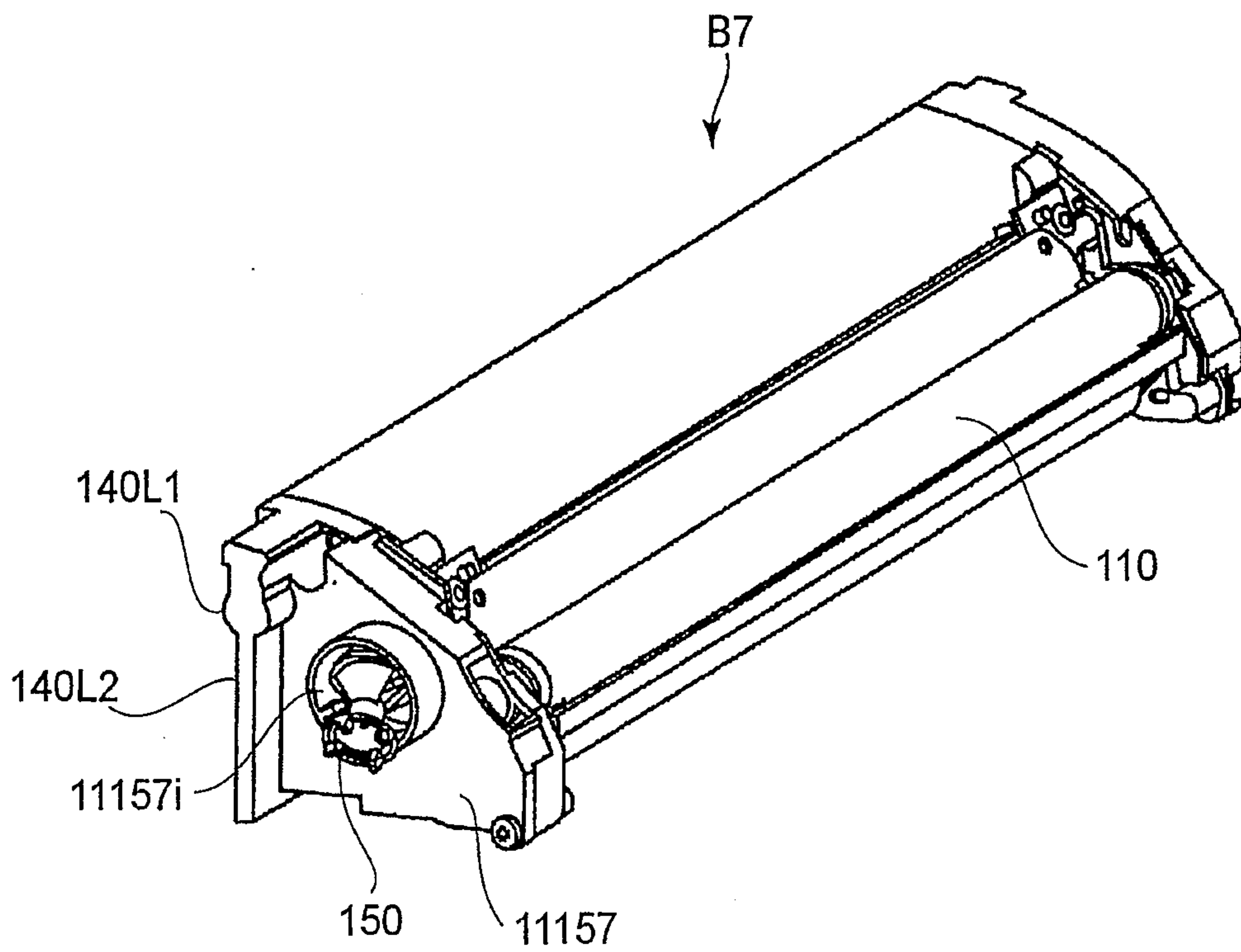


FIG. 57

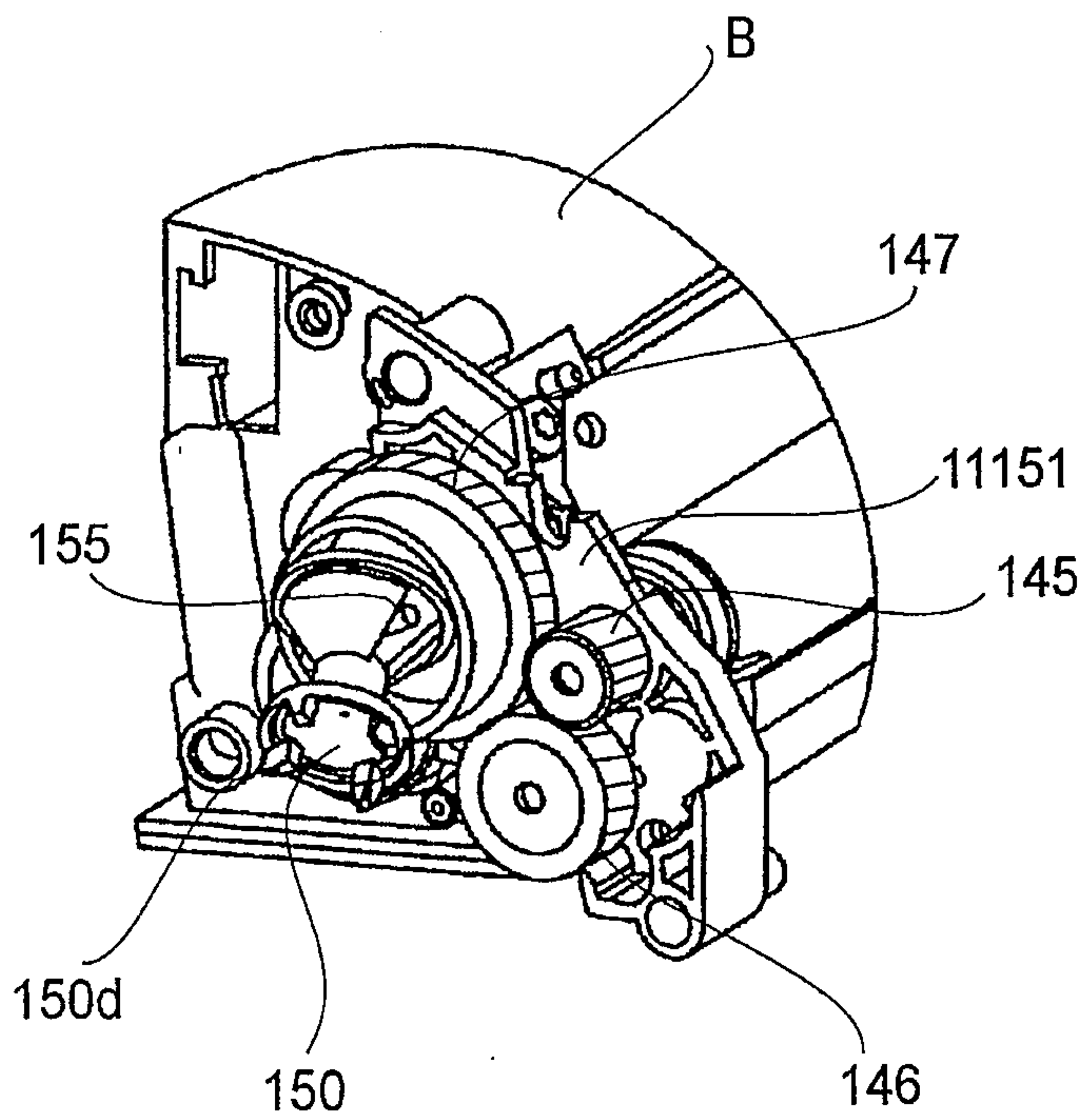
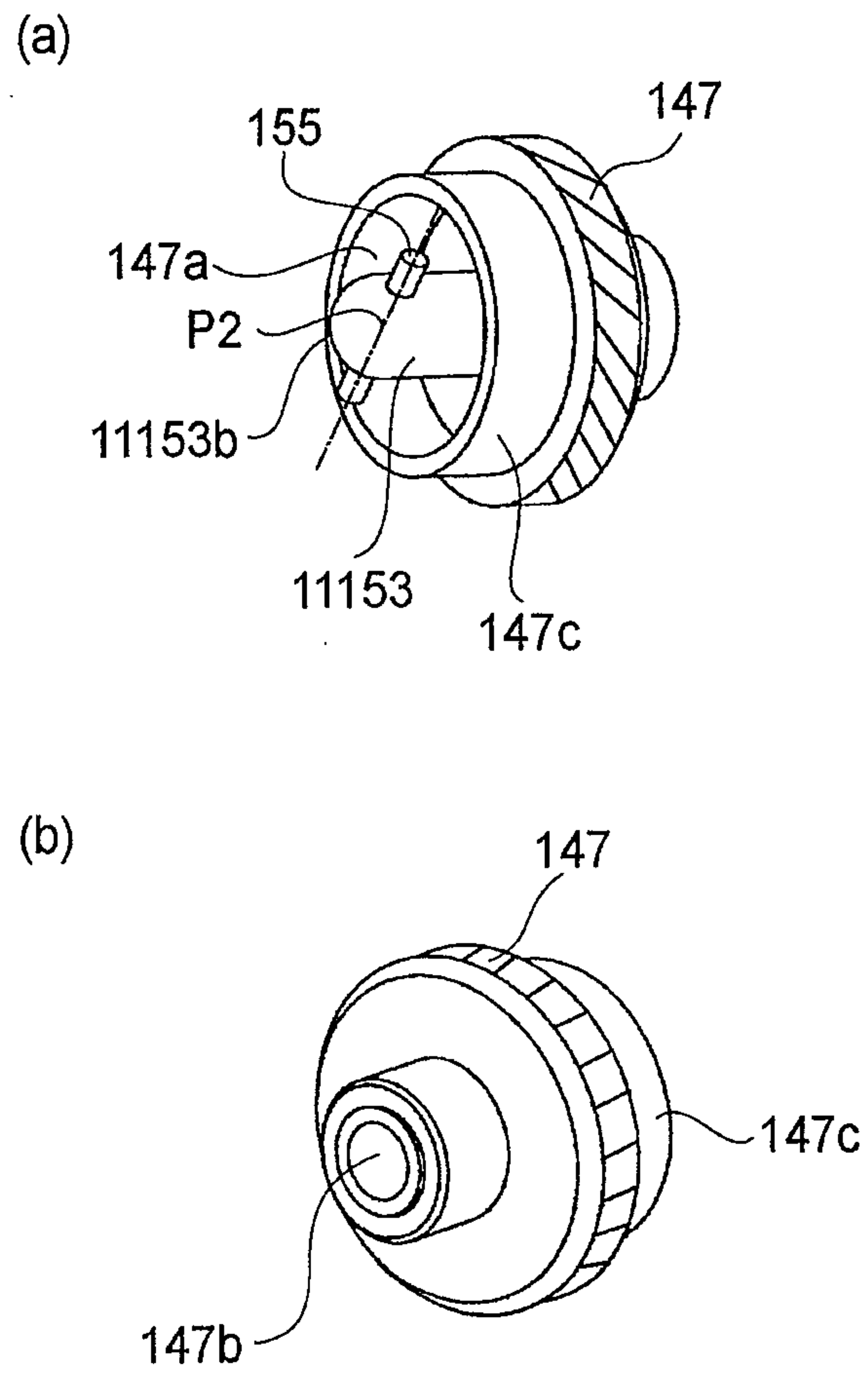


FIG. 58



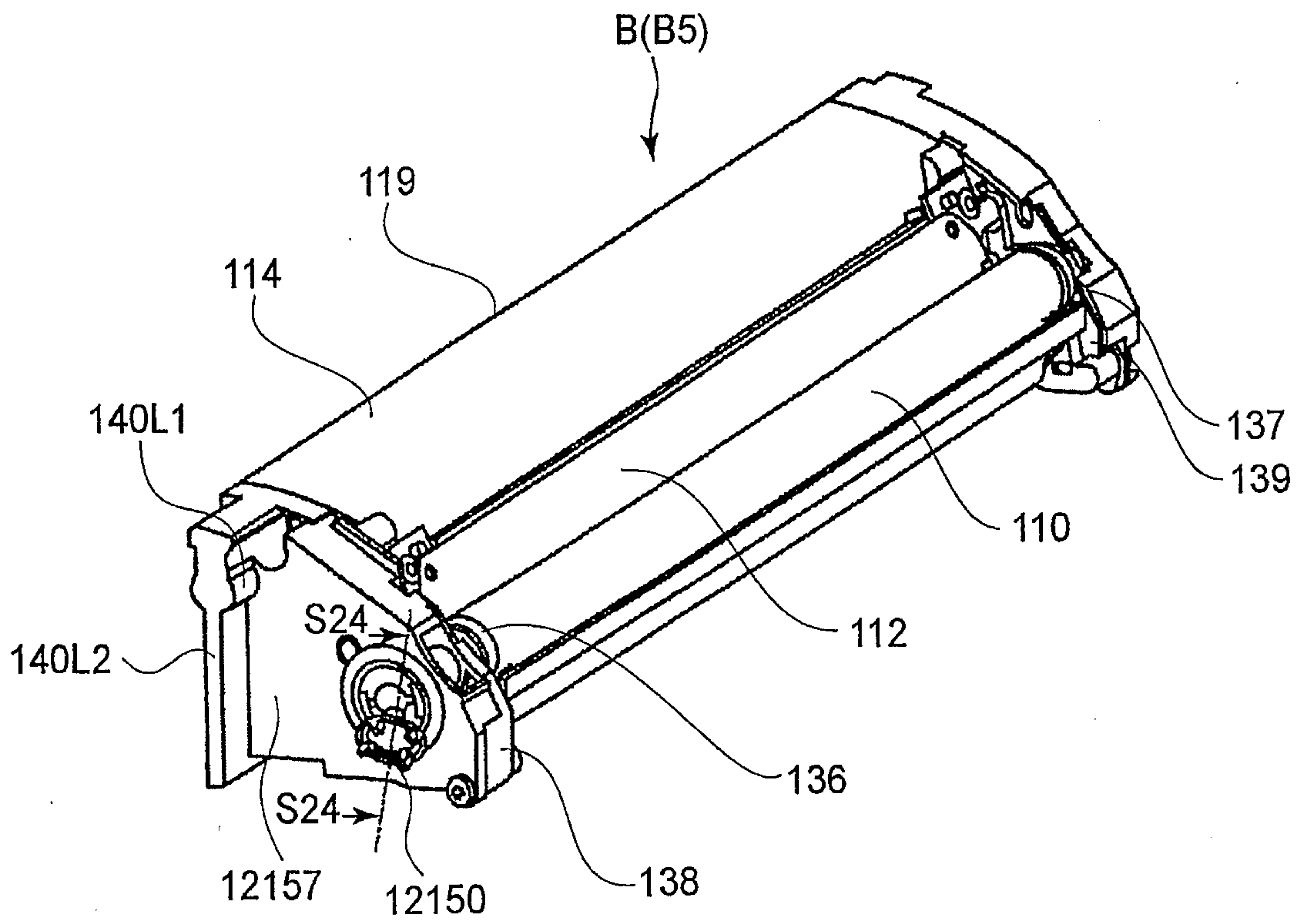


FIG. 60

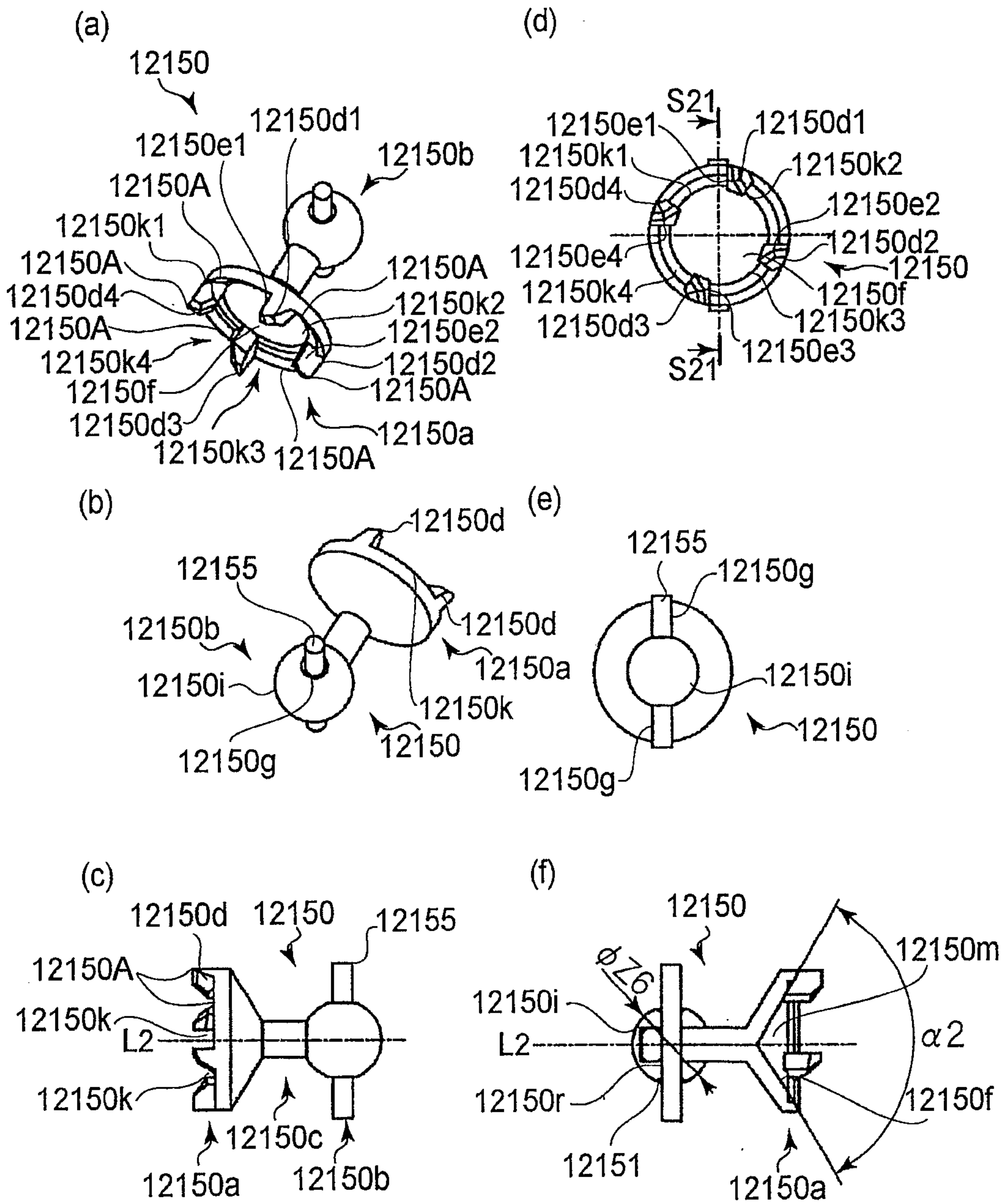


FIG. 61

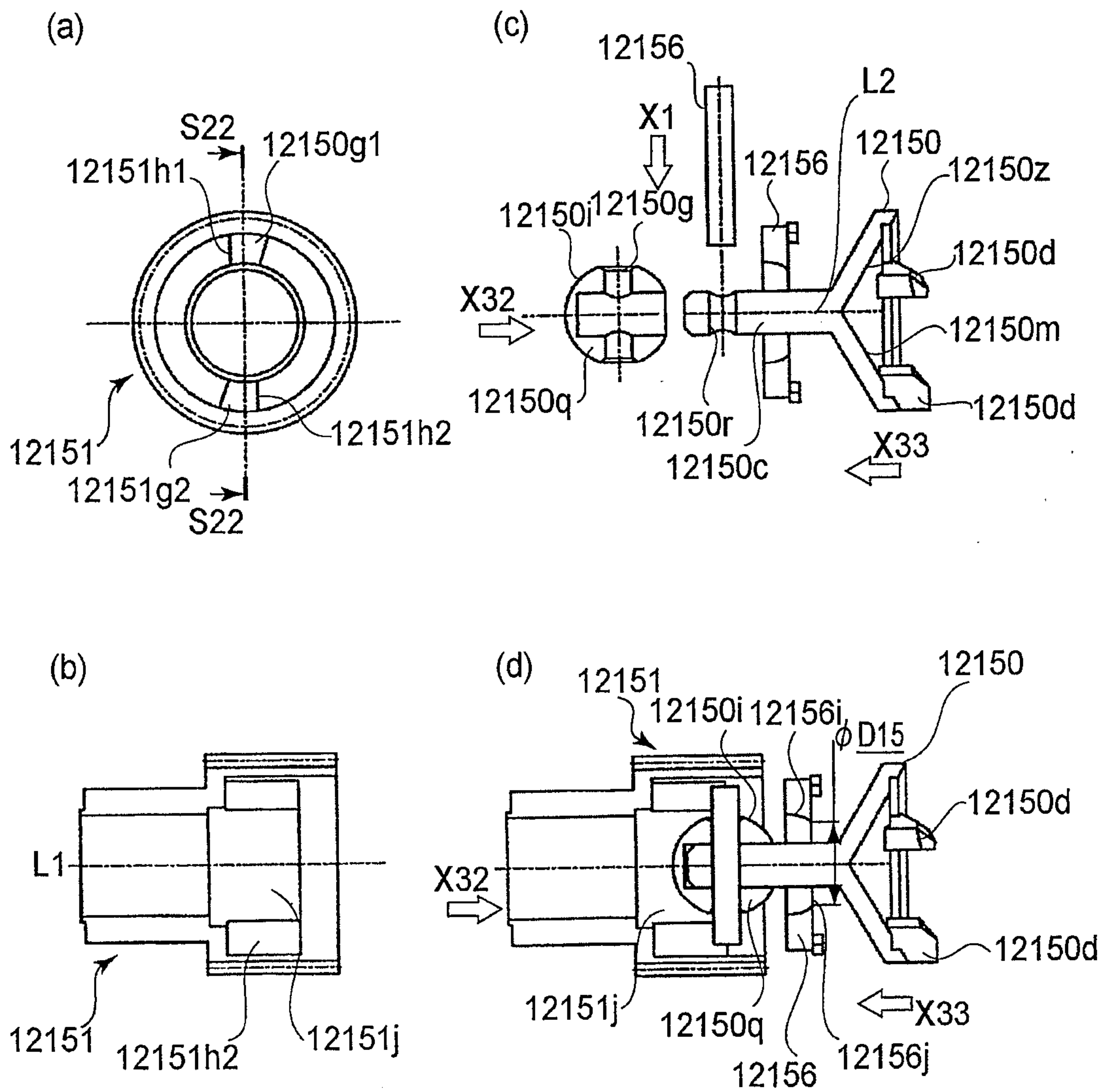


FIG. 62

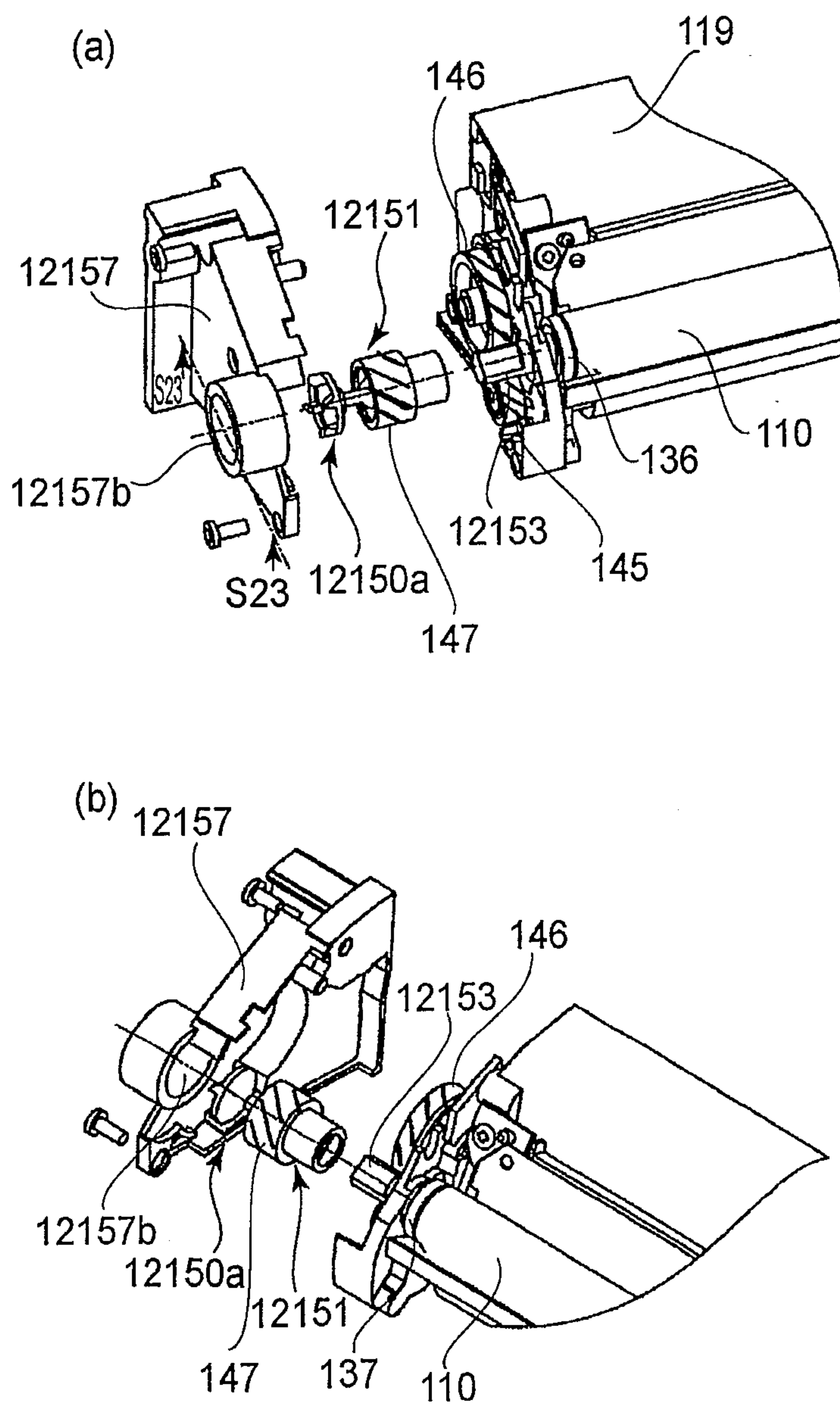


FIG.63

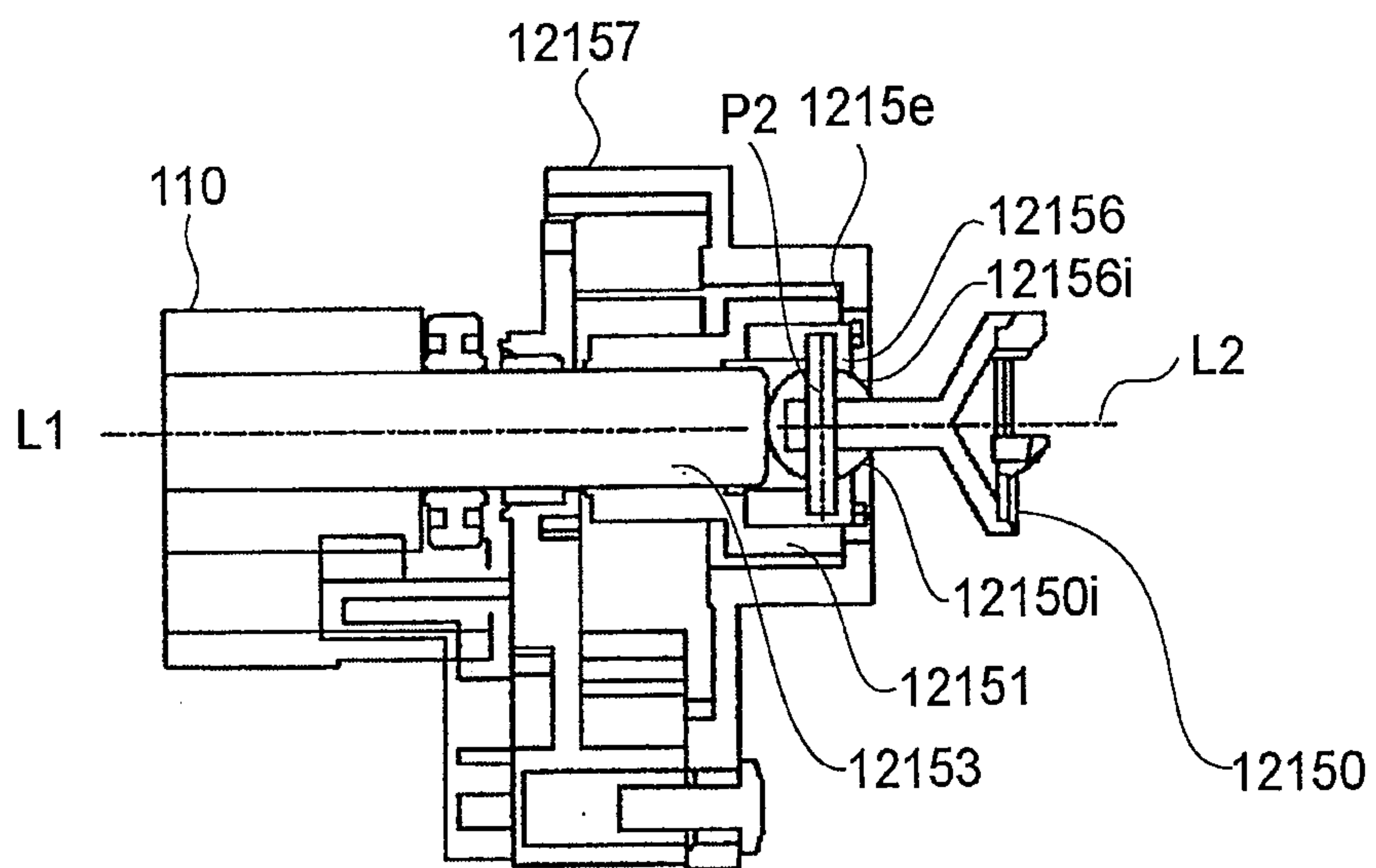


FIG.64

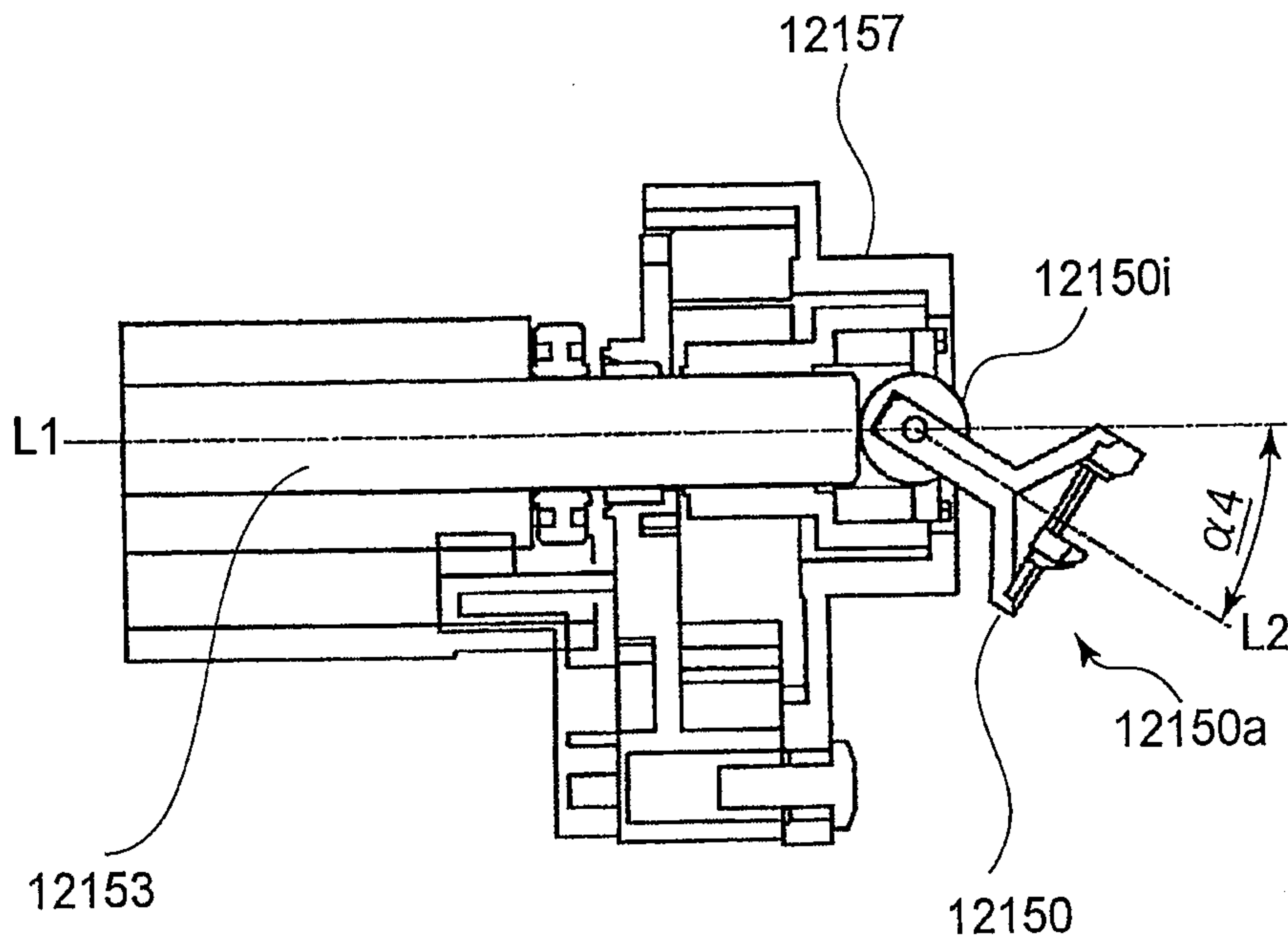


FIG.65

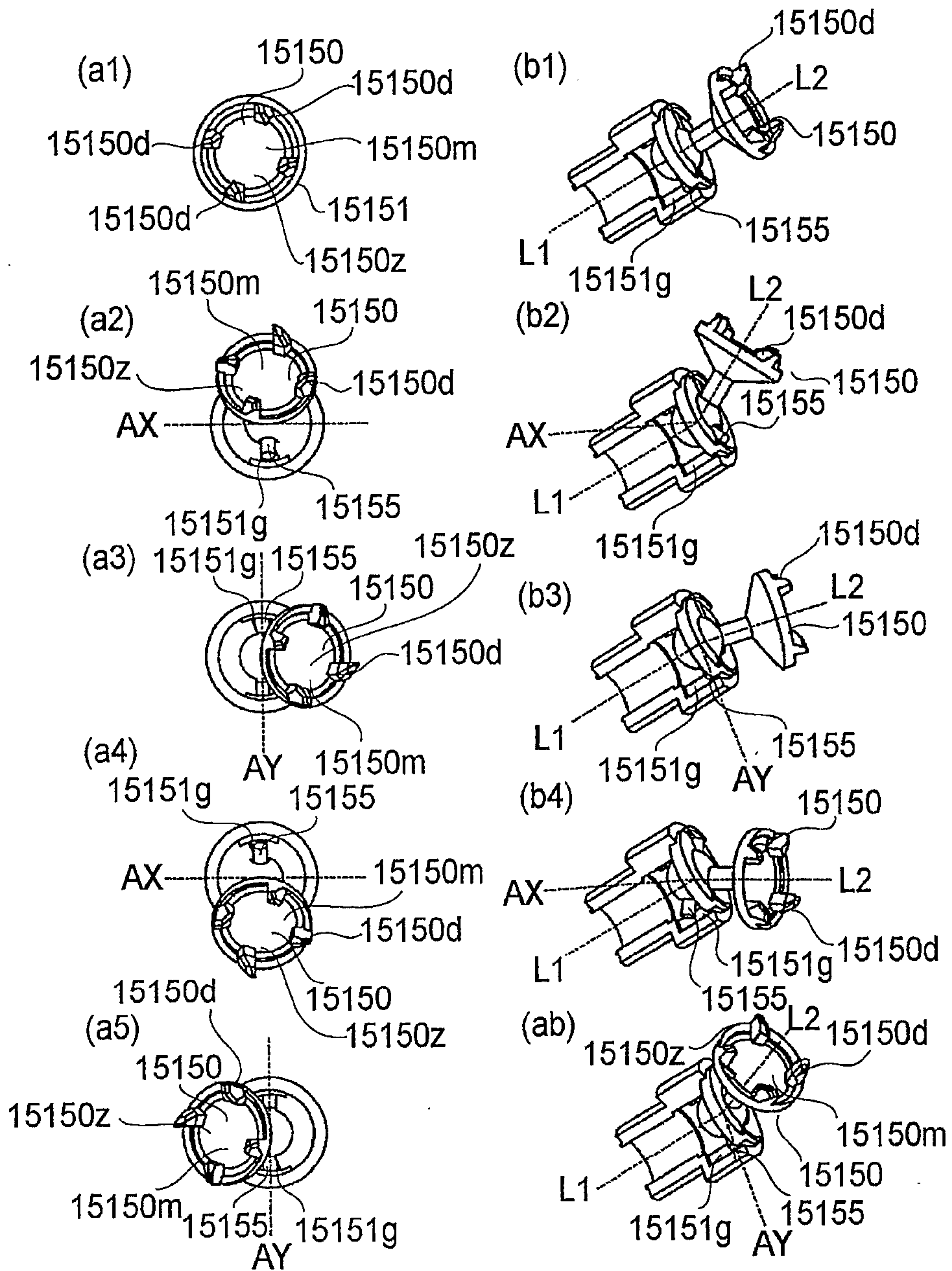


FIG.66

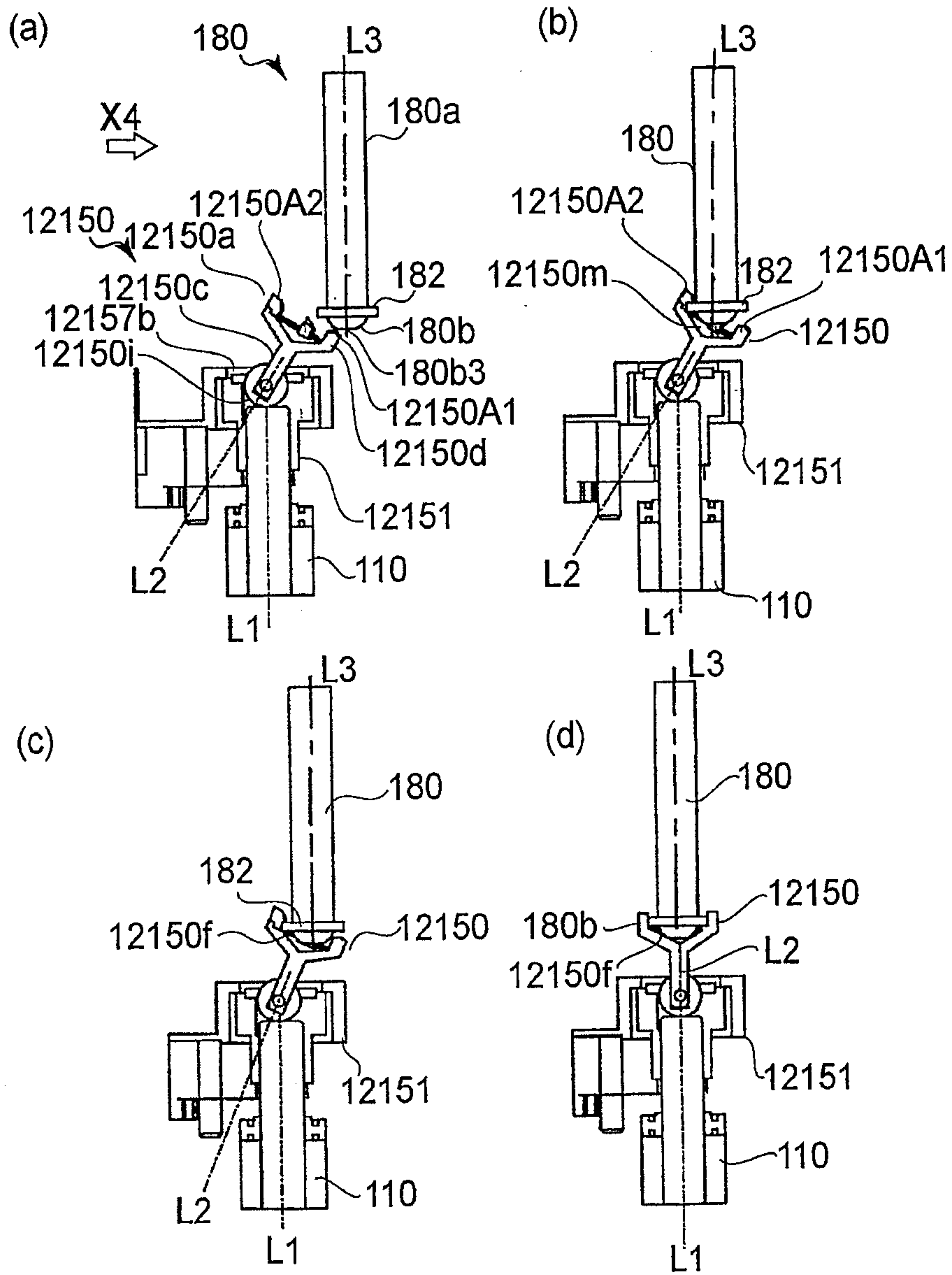


FIG. 67

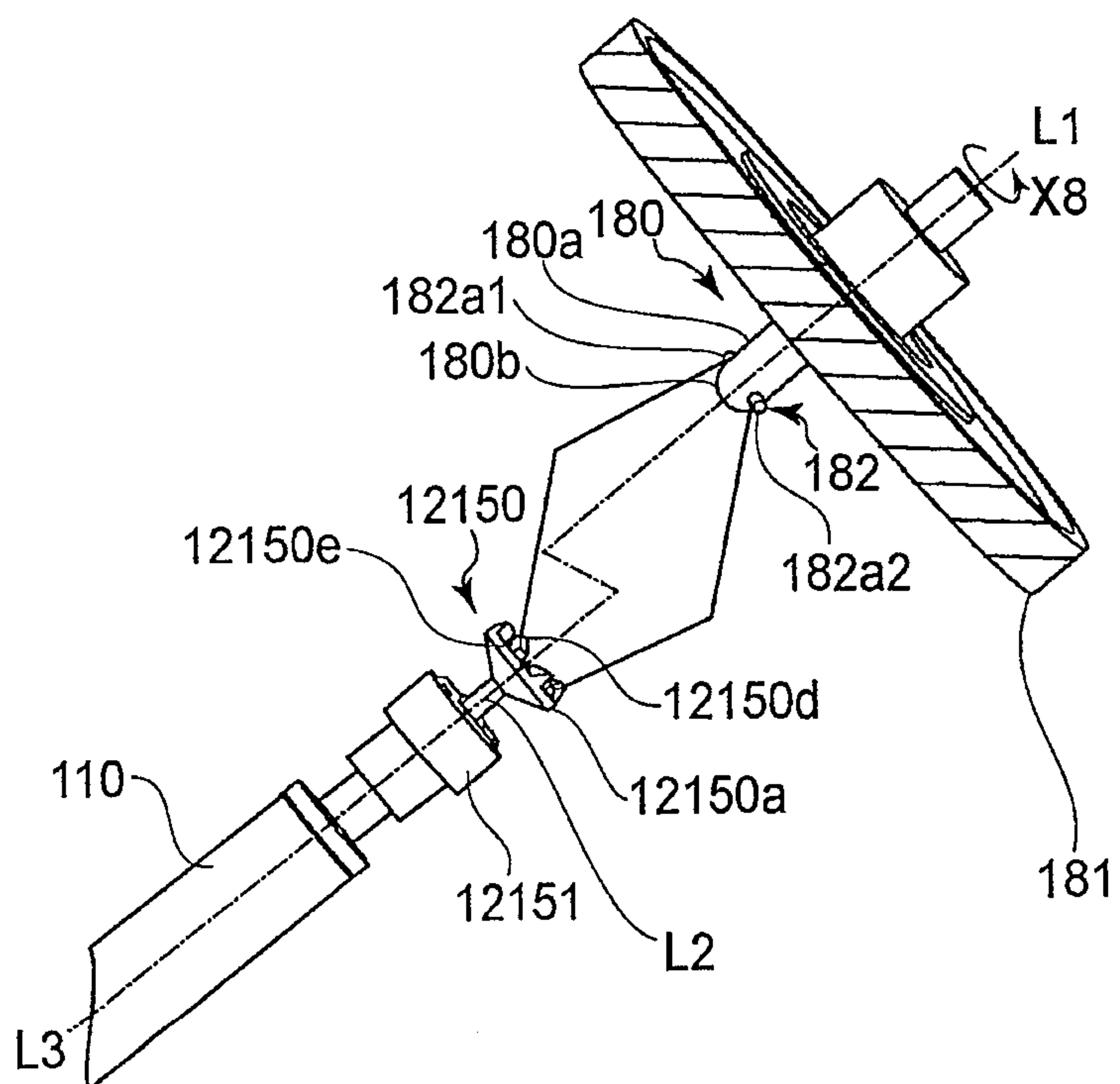


FIG.68

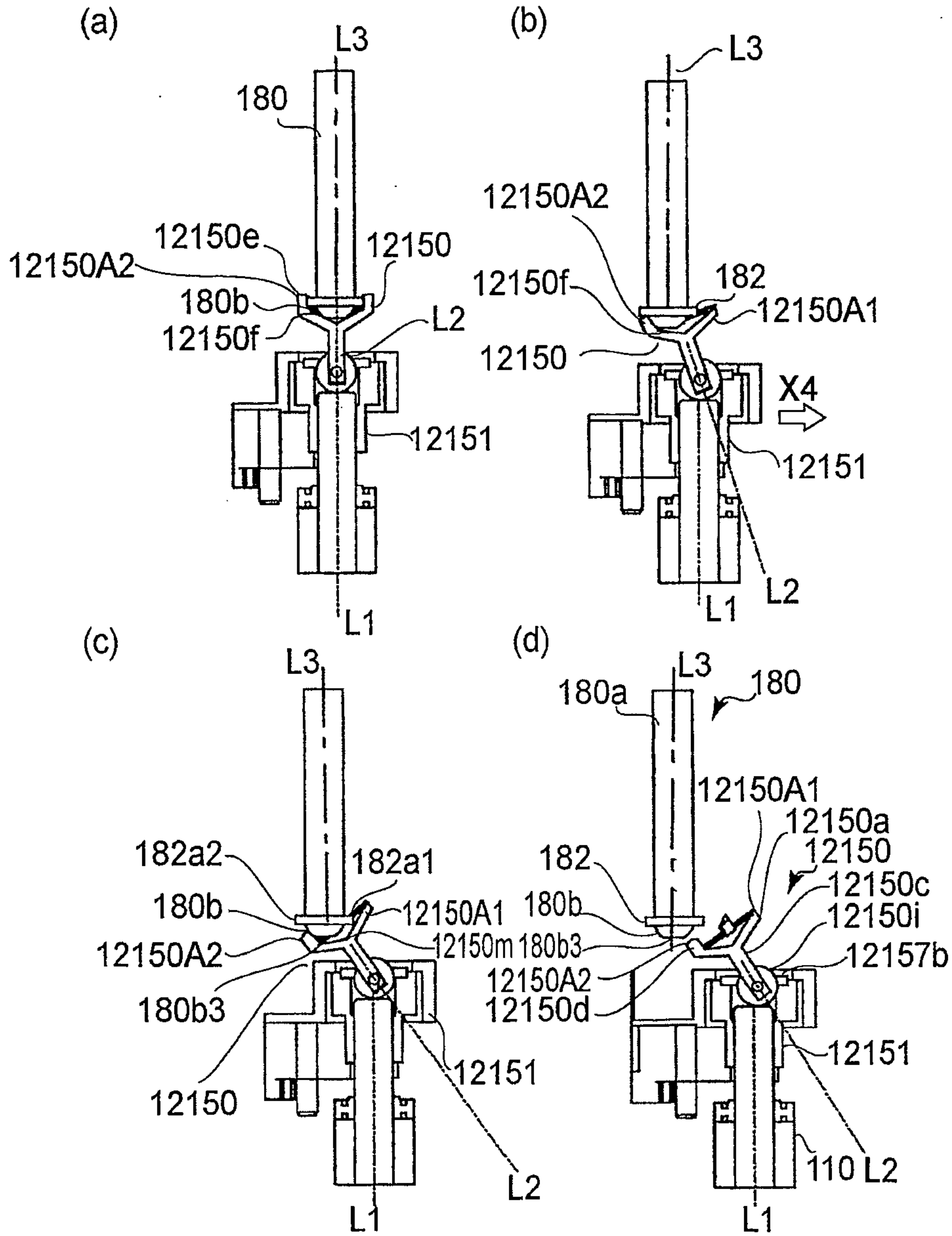


FIG. 69

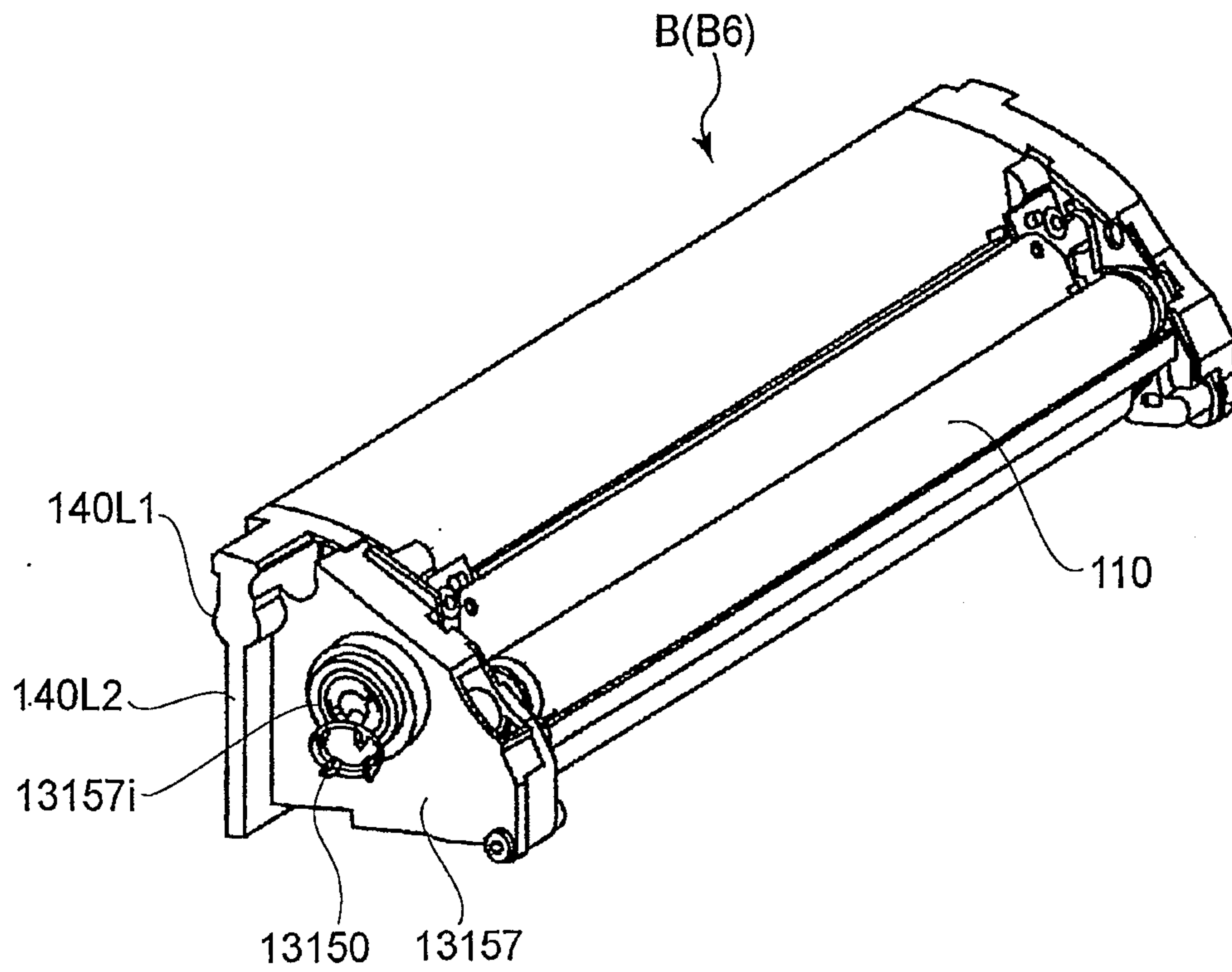


FIG. 70

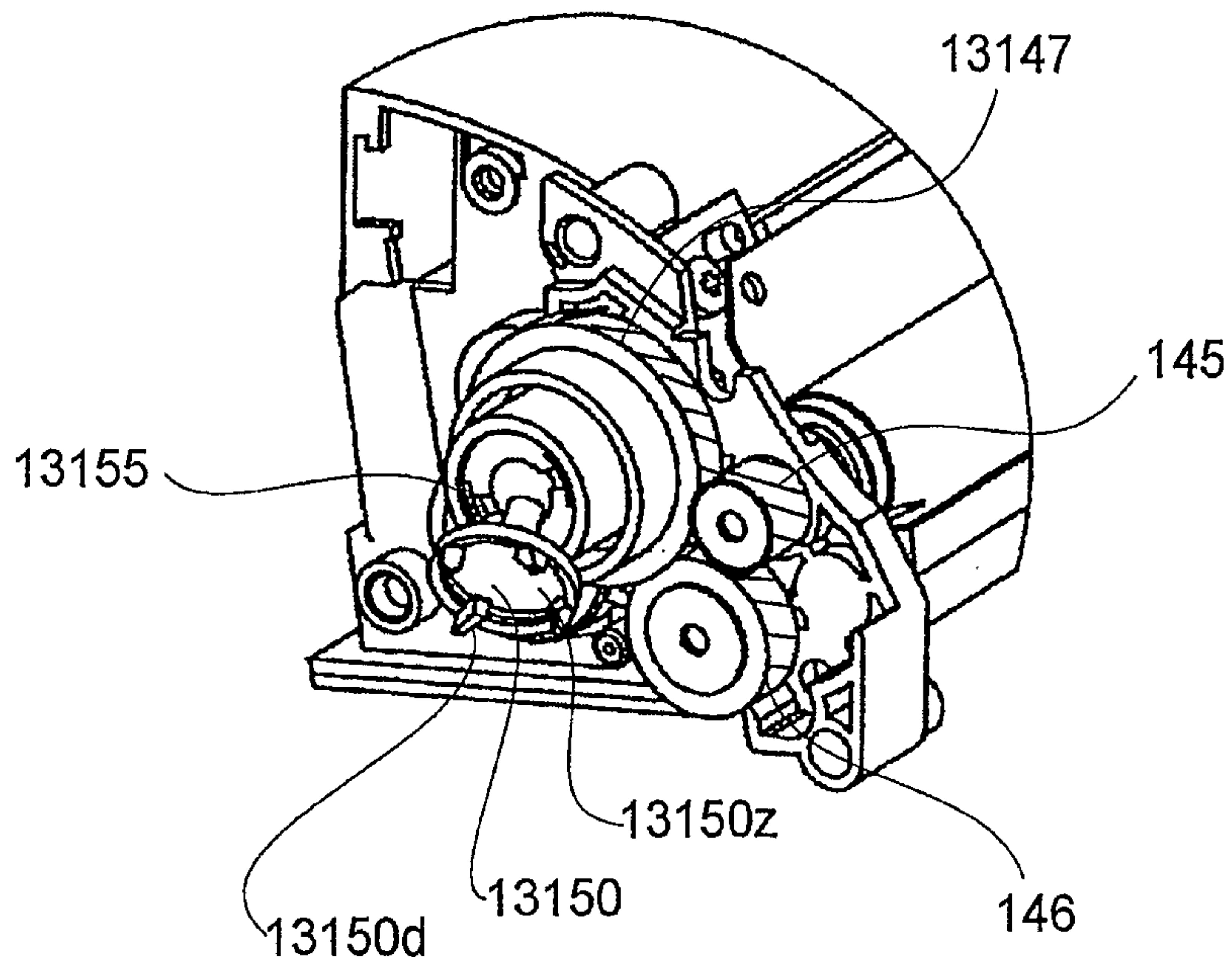


FIG. 71

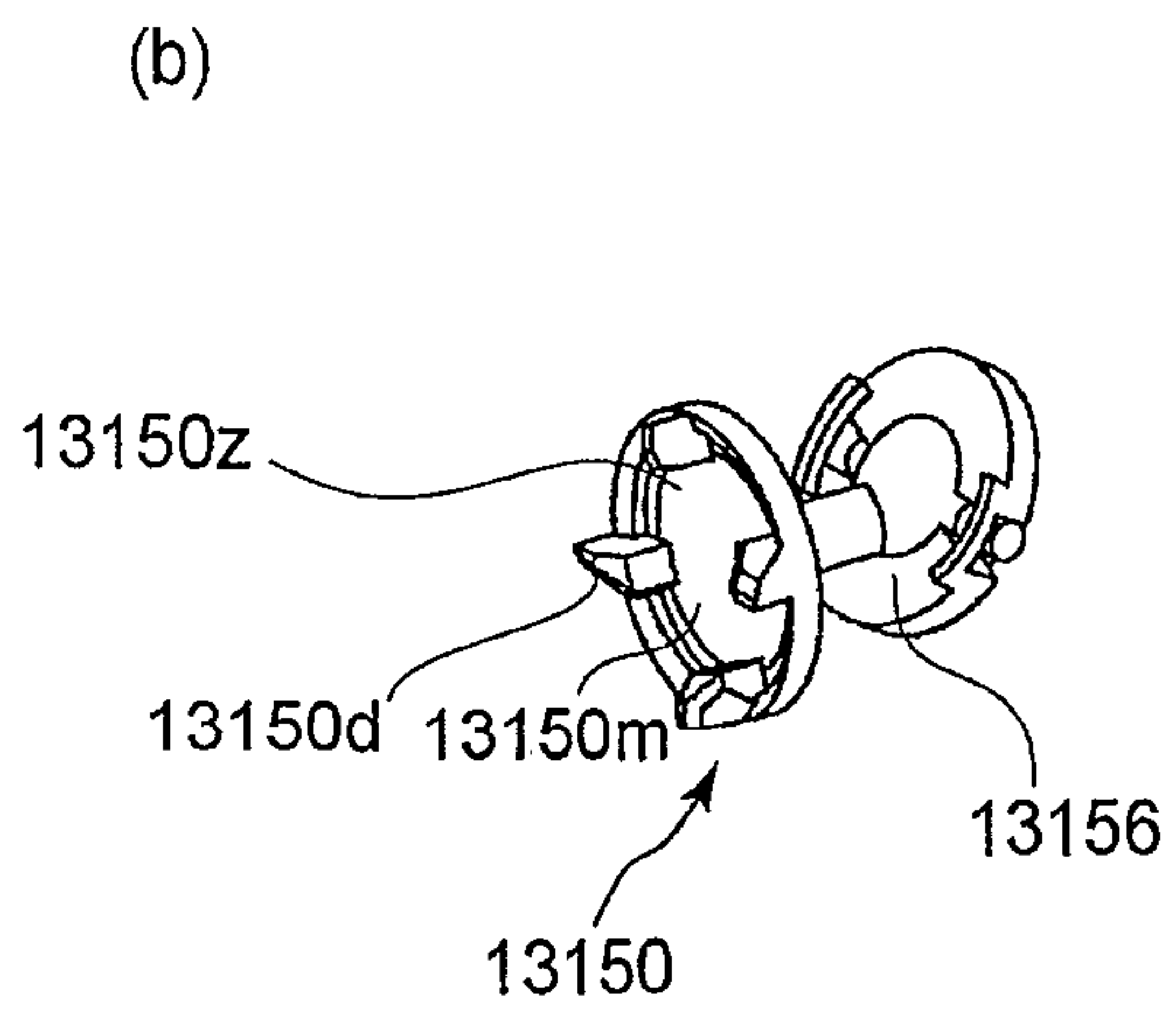
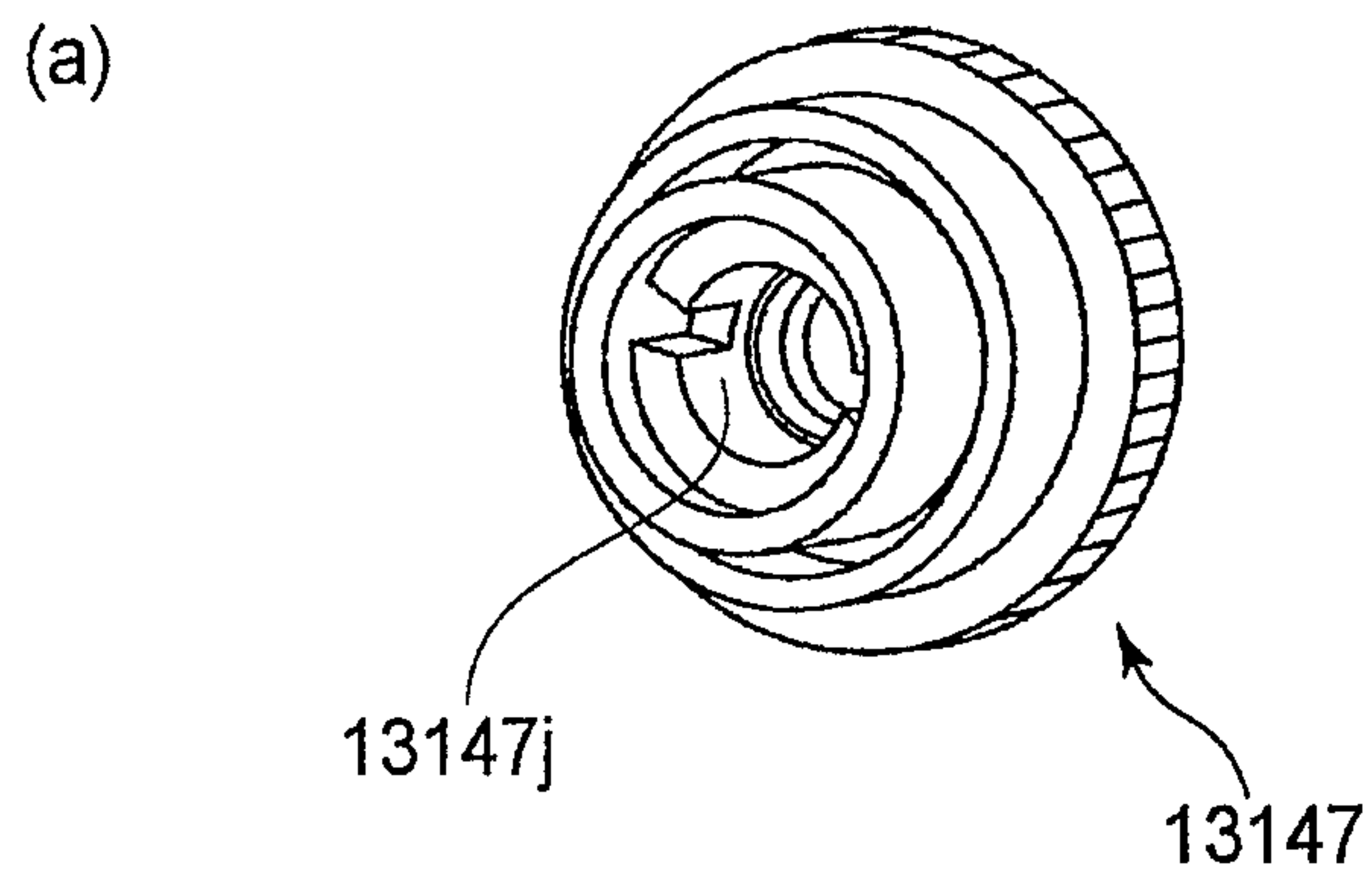


FIG.72

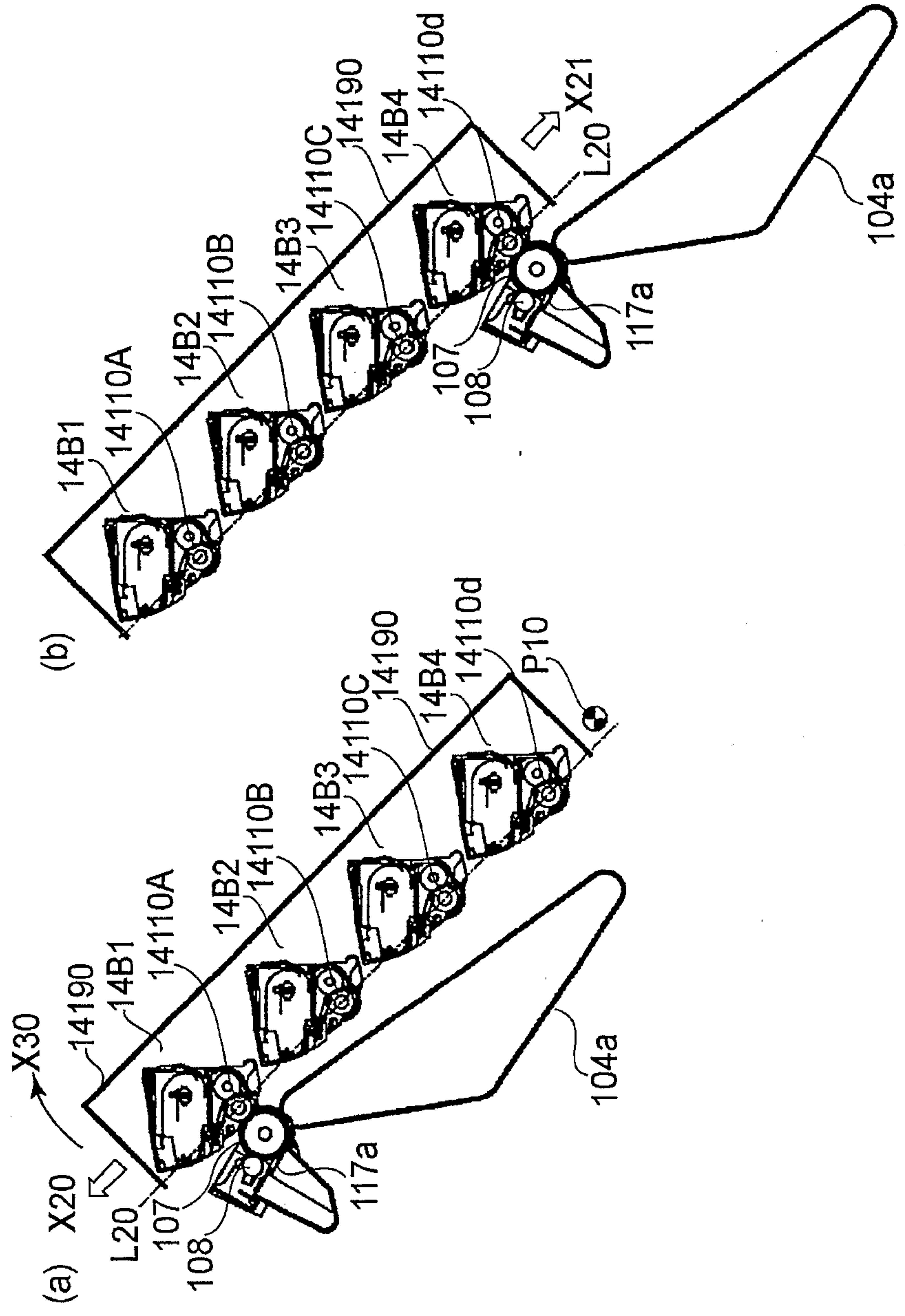


FIG.73

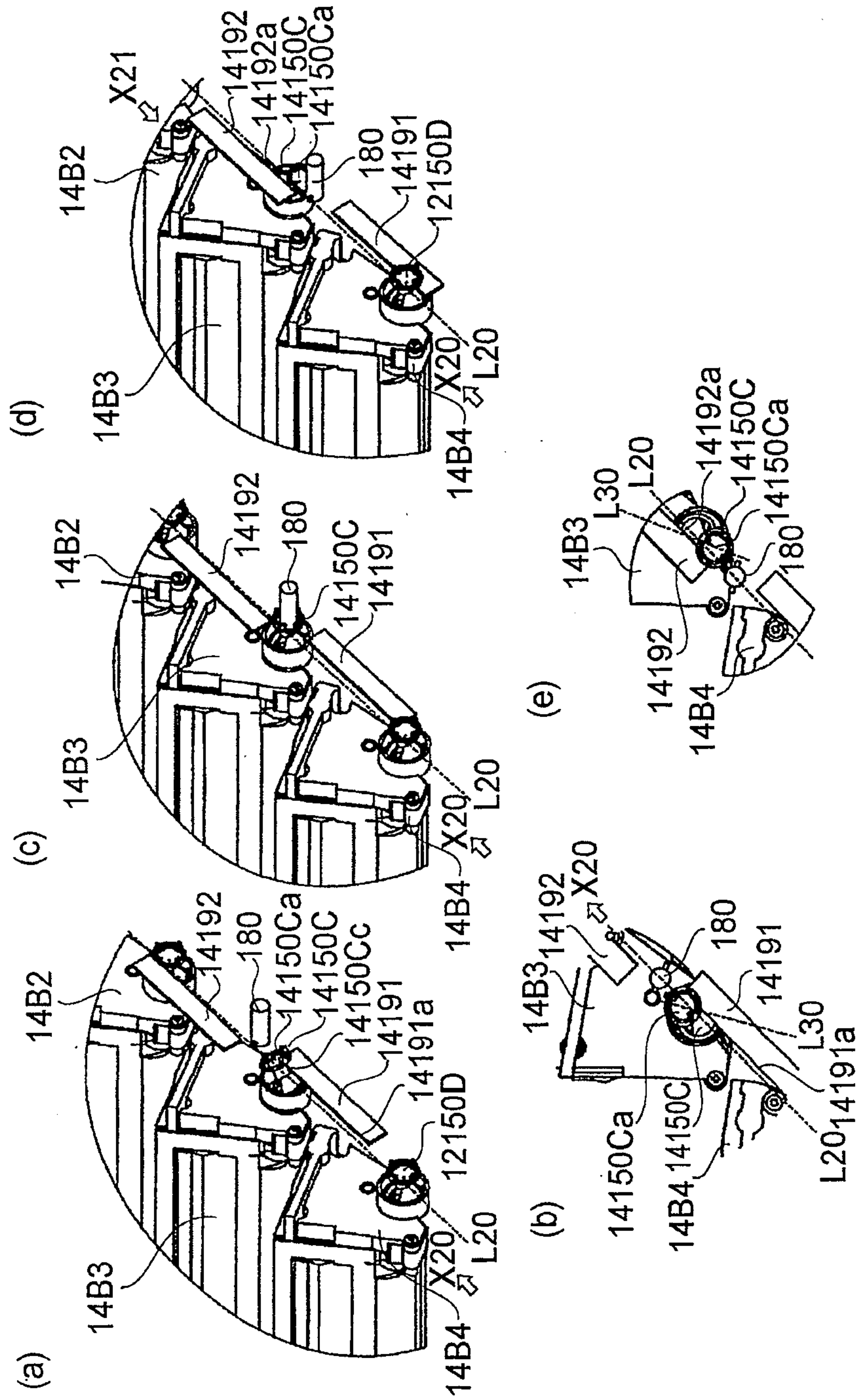
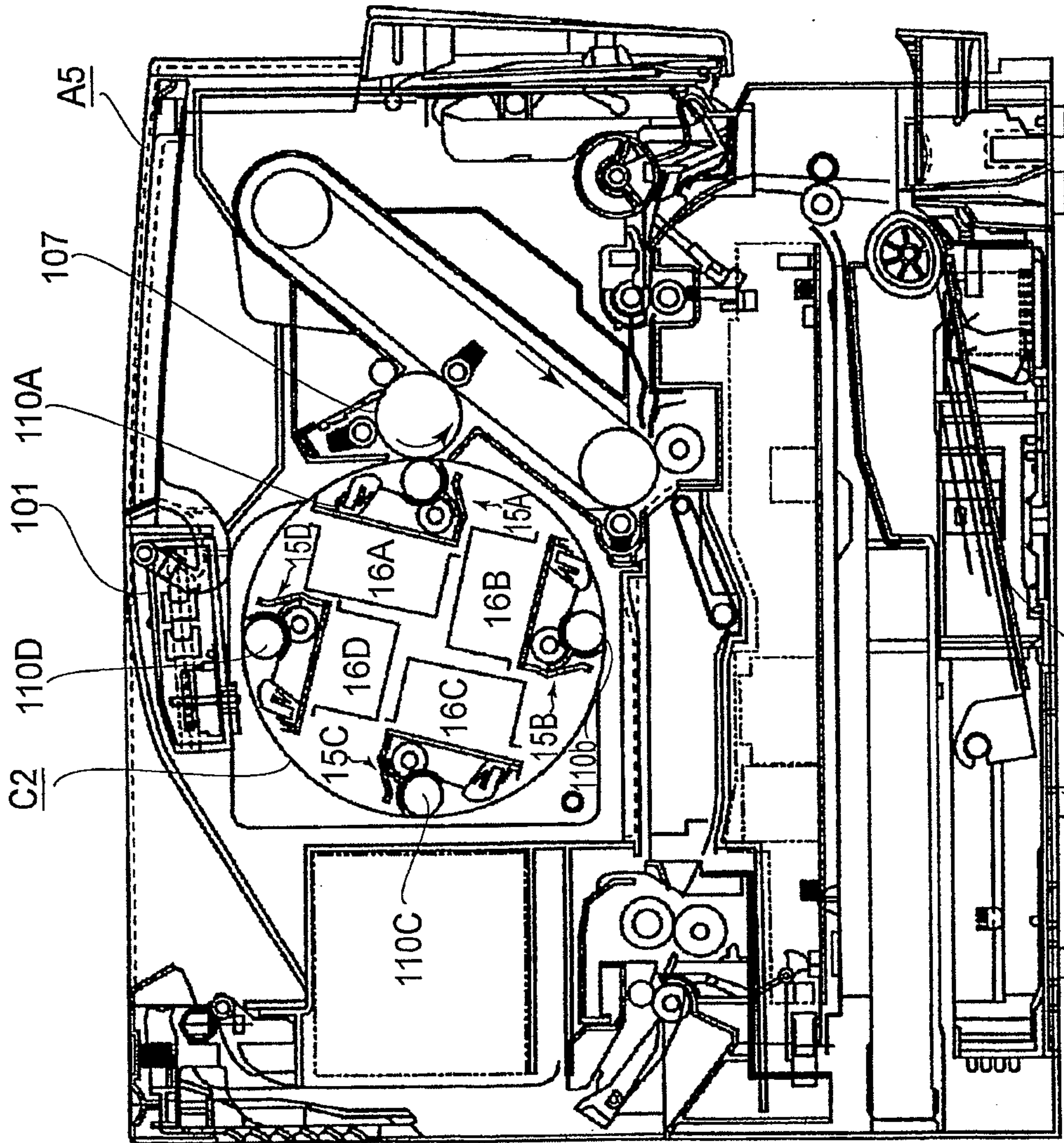


FIG. 74



S
FIG. 75

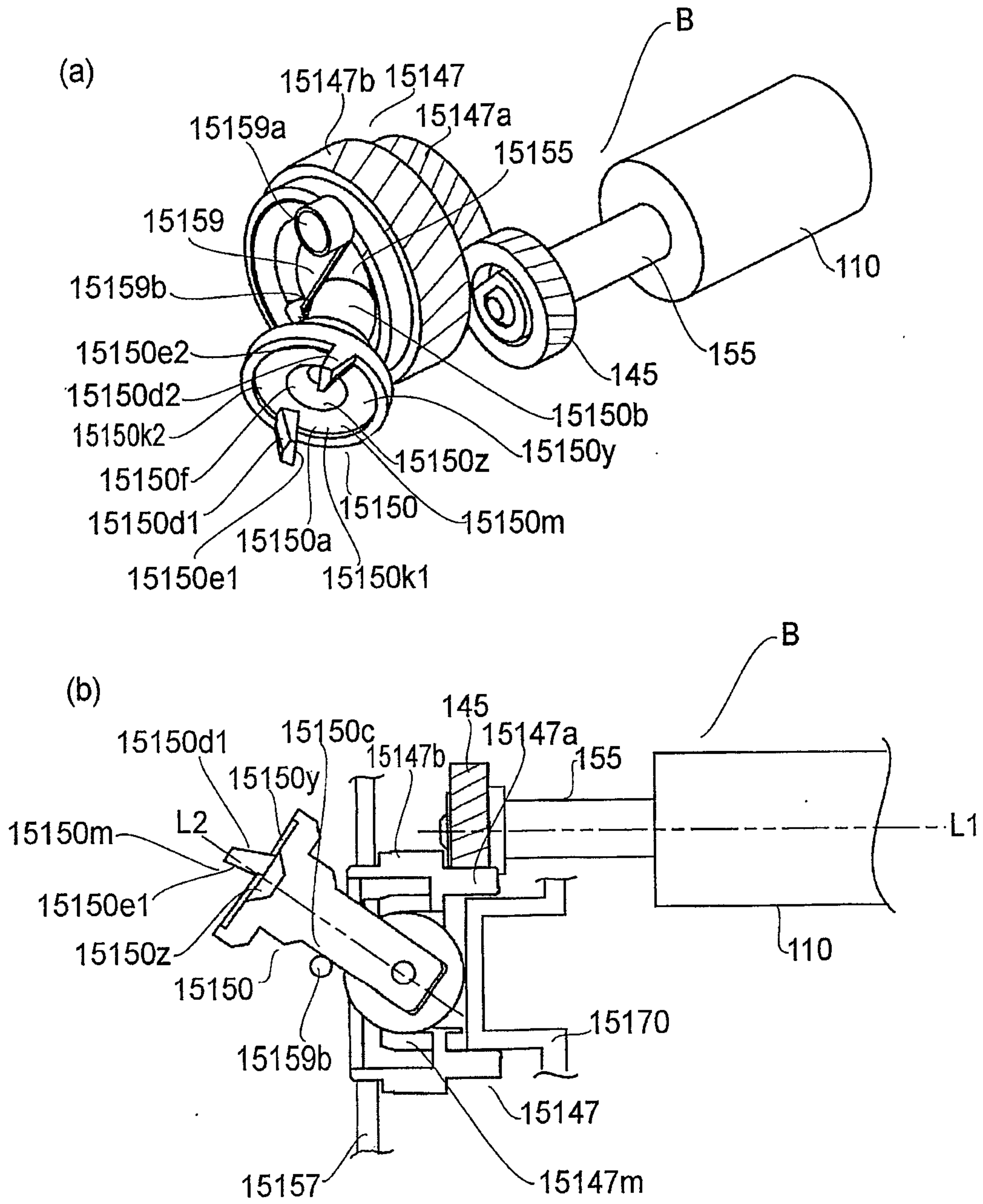


FIG.76

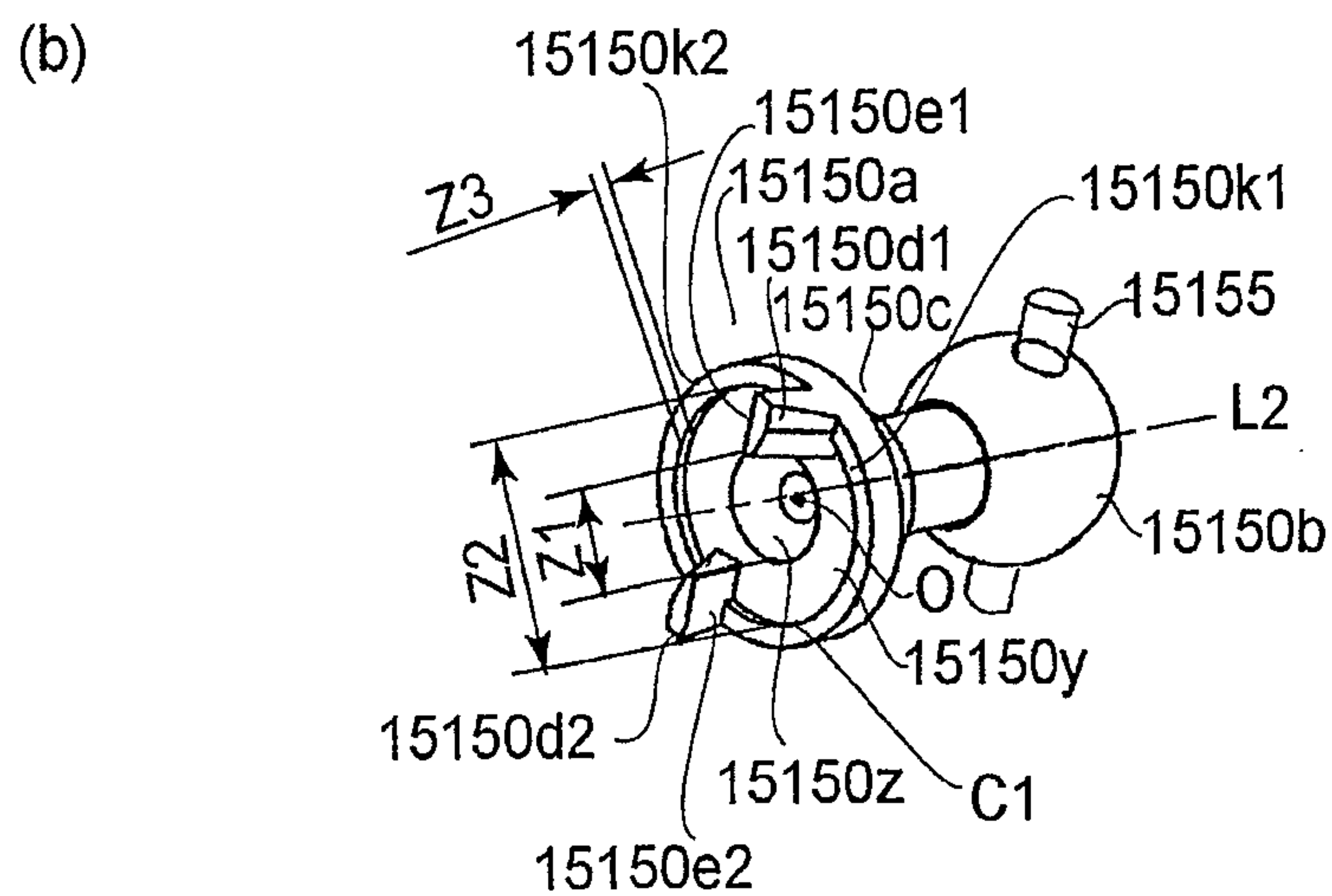
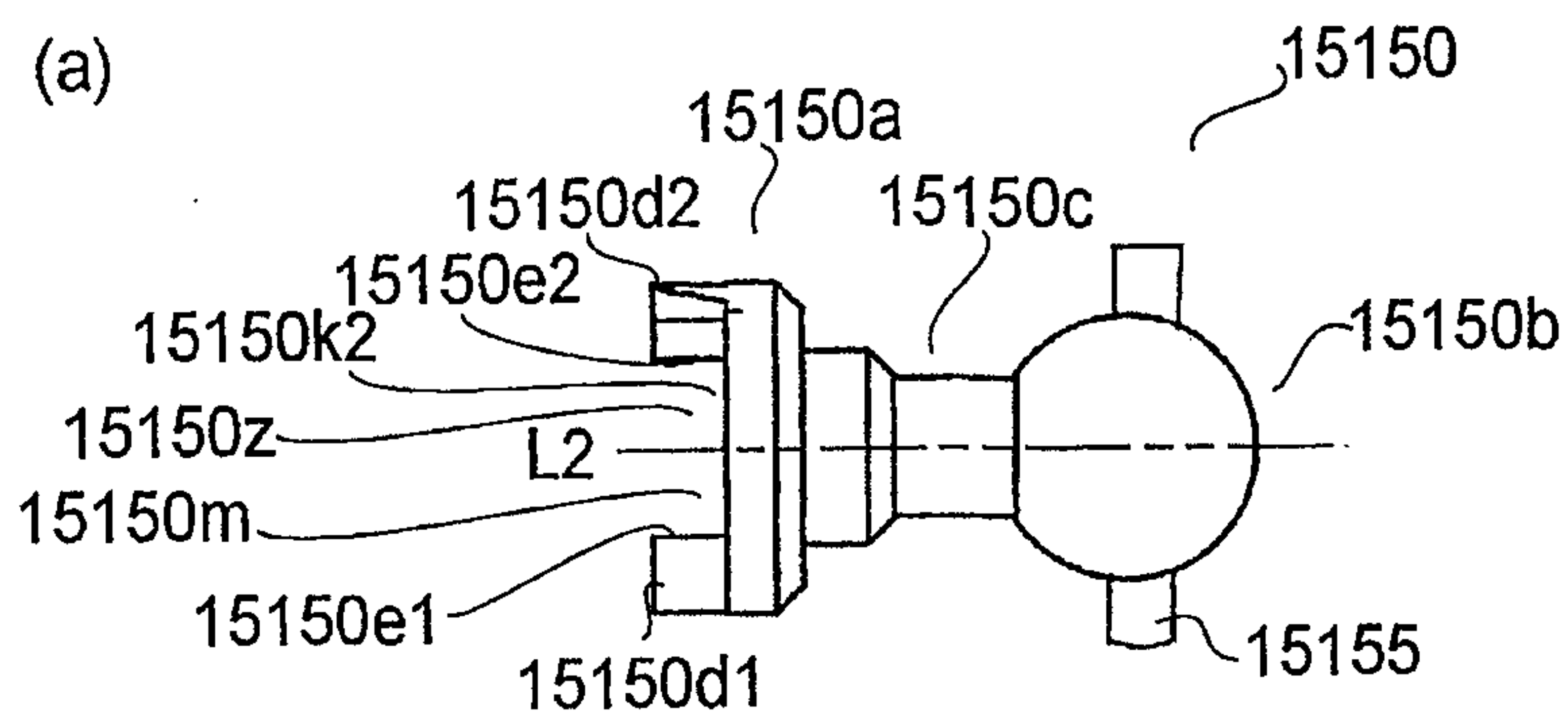


FIG.77

