



US00D643971S

(12) **United States Design Patent**  
**Yamamoto et al.**

(10) **Patent No.:** **US D643,971 S**

(45) **Date of Patent:** **\*\* Aug. 23, 2011**

(54) **LIGHT EMITTING DIODE LAMP**

(75) Inventors: **Junichiro Yamamoto**, Kanagawa (JP);  
**Asuka Wada**, Kanagawa (JP); **Shigeru Osawa**, Kanagawa (JP)

(73) Assignees: **Toshiba Lighting & Technology Corporation**, Kanagawa (JP);  
**Kabushiki Kaisha Toshiba**, Tokyo (JP)

(\*\*) Term: **14 Years**

(21) Appl. No.: **29/382,357**

(22) Filed: **Jan. 3, 2011**

(30) **Foreign Application Priority Data**

Jul. 2, 2010 (JP) ..... 2010-016223

(51) **LOC (9) Cl.** ..... **26-99**

(52) **U.S. Cl.** ..... **D26/138**

(58) **Field of Classification Search** ..... D26/118,  
D26/120, 138, 76, 78, 86, 2, 72, 67, 89, 60,  
D26/74, 81, 85, 113, 119, 122, 128, 129,  
D26/140, 142, 145, 152, 132, 93, 94, 3, 154,  
D26/87, 42, 37; D34/29; 315/194, 51; 362/612,  
362/307, 294, 545, 555, 146, 145, 396, 362,  
362/260; 165/185, 121, 80.3; D12/162;  
D8/354, 355, 356, 363, 373, 349, 376; 16/340;  
D13/179, 180, 134; D25/163, 157, 158  
See application file for complete search history.

(56) **References Cited**

**U.S. PATENT DOCUMENTS**

3,836,766 A \* 9/1974 Auerbach ..... 362/311.14  
5,249,082 A \* 9/1993 Newman ..... 359/813  
6,641,283 B1 \* 11/2003 Bohler ..... 362/238  
D511,349 S \* 11/2005 Rashidi ..... D16/134  
D544,618 S \* 6/2007 Coushaine ..... D26/37  
D547,886 S \* 7/2007 Foo ..... D26/2  
D560,829 S \* 1/2008 Mason, II ..... D26/28  
D581,886 S \* 12/2008 Shida et al. .... D13/180  
D583,967 S \* 12/2008 Leunis ..... D26/24

D583,984 S \* 12/2008 Takahashi et al. .... D26/89  
D588,077 S \* 3/2009 Shida et al. .... D13/180  
D610,101 S \* 2/2010 Spivey ..... D13/182  
D621,971 S \* 8/2010 Yamamoto et al. .... D26/2  
D621,972 S \* 8/2010 Yamamoto et al. .... D26/2  
D623,593 S \* 9/2010 Osada et al. .... D13/134  
7,806,562 B2 \* 10/2010 Behr et al. .... 362/294  
D627,493 S \* 11/2010 Yamamoto et al. .... D26/2  
D628,318 S \* 11/2010 Yamamoto et al. .... D26/2  
D628,722 S \* 12/2010 Yamamoto et al. .... D26/2  
D631,573 S \* 1/2011 Yamamoto et al. .... D26/2  
7,922,364 B2 \* 4/2011 Tessnow et al. .... 362/294  
2007/0070645 A1 \* 3/2007 Coushaine et al. .... 362/555  
2009/0034283 A1 \* 2/2009 Albright et al. .... 362/545  
2010/0177470 A1 \* 7/2010 Spivey ..... 361/679.02

**FOREIGN PATENT DOCUMENTS**

JP D1247684 8/2005  
JP D1372210 11/2009  
JP D1395070 8/2010

\* cited by examiner

*Primary Examiner* — Cathron Brooks

*Assistant Examiner* — Kevin Rudzinski

(74) *Attorney, Agent, or Firm* — J.C. Patents

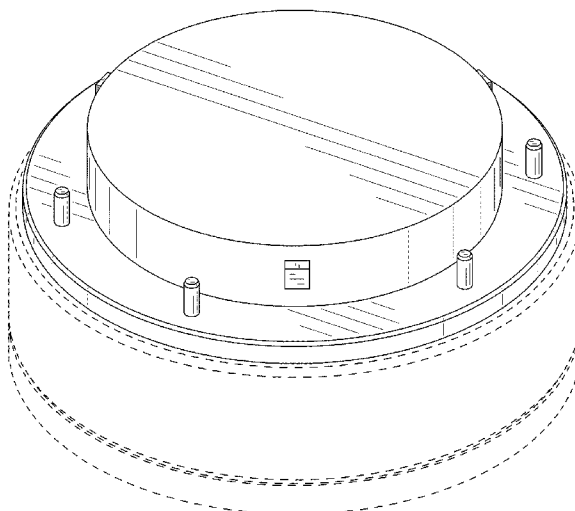
(57) **CLAIM**

The ornamental design for a light emitting diode lamp, as shown and described.

**DESCRIPTION**

FIG. 1 is a perspective view of a light emitting diode lamp showing our new design;  
FIG. 2 is a front view thereof;  
FIG. 3 is a rear view thereof;  
FIG. 4 is a right side view thereof;  
FIG. 5 is a left side view thereof;  
FIG. 6 is a top view thereof;  
FIG. 7 is a bottom view thereof; and,  
FIG. 8 is another perspective view thereof.  
The broken lines represent unclaimed portions of the light emitting diode lamp and form no part of the claimed design.

**1 Claim, 6 Drawing Sheets**



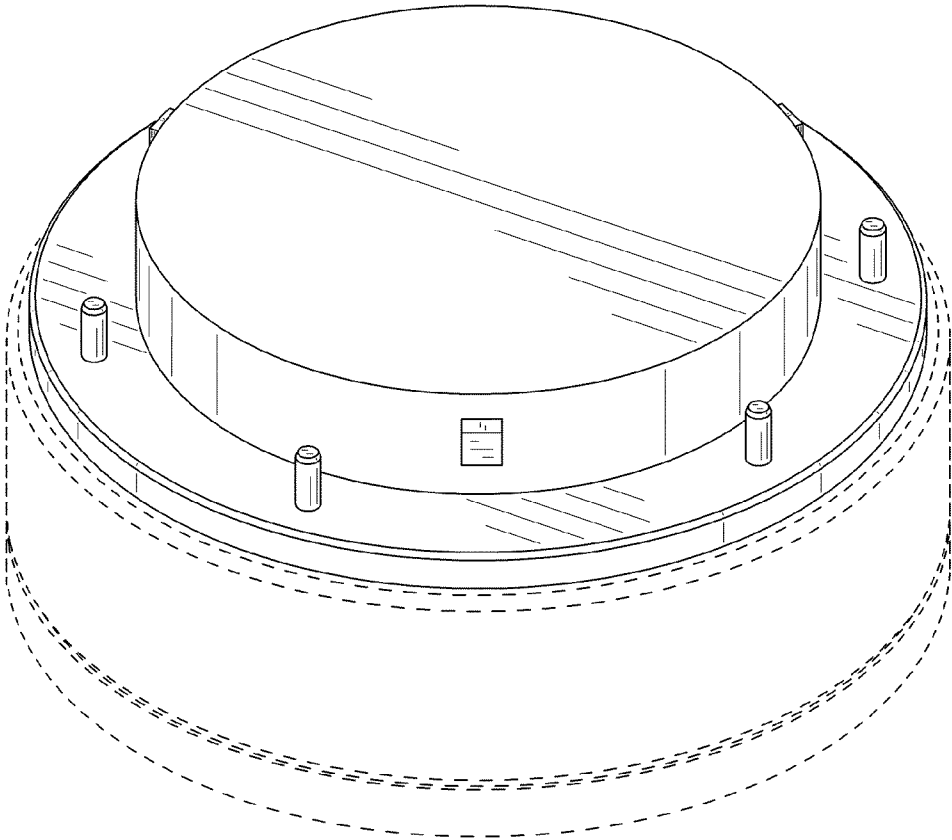


FIG. 1

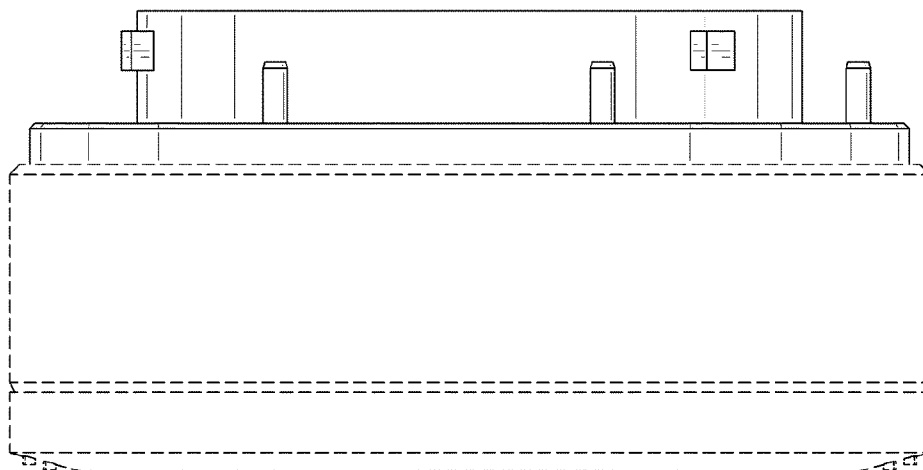


FIG. 2

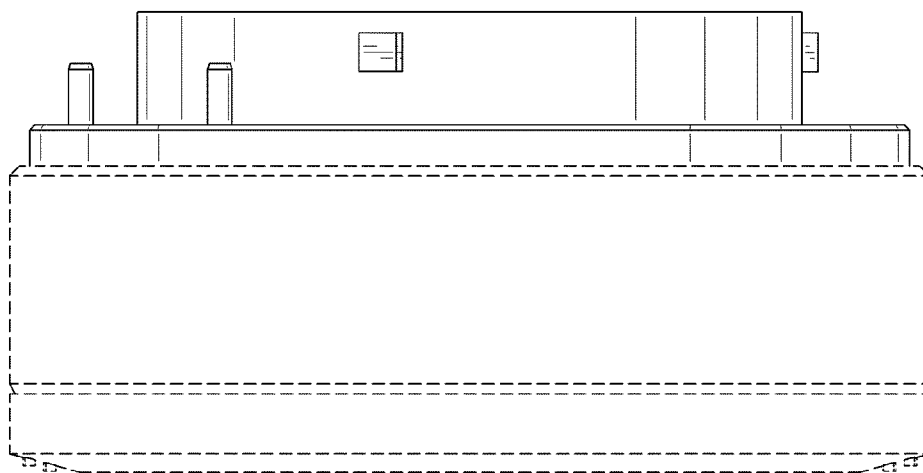


FIG. 3

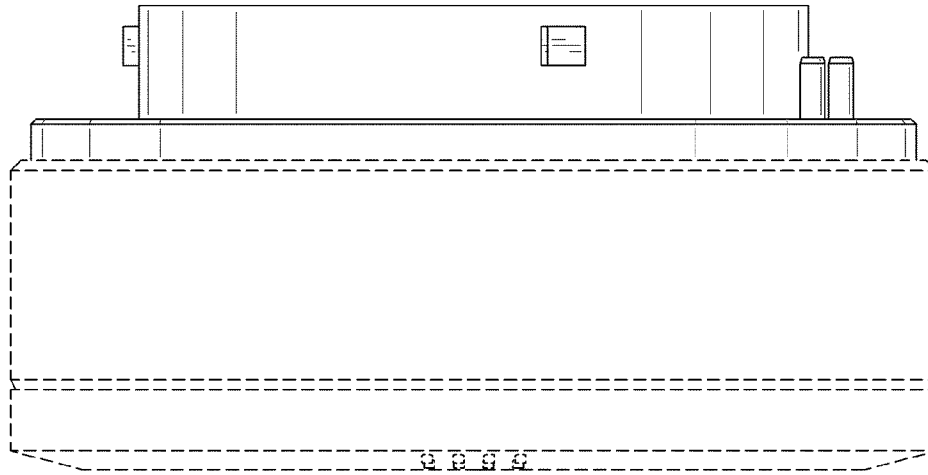


FIG. 4

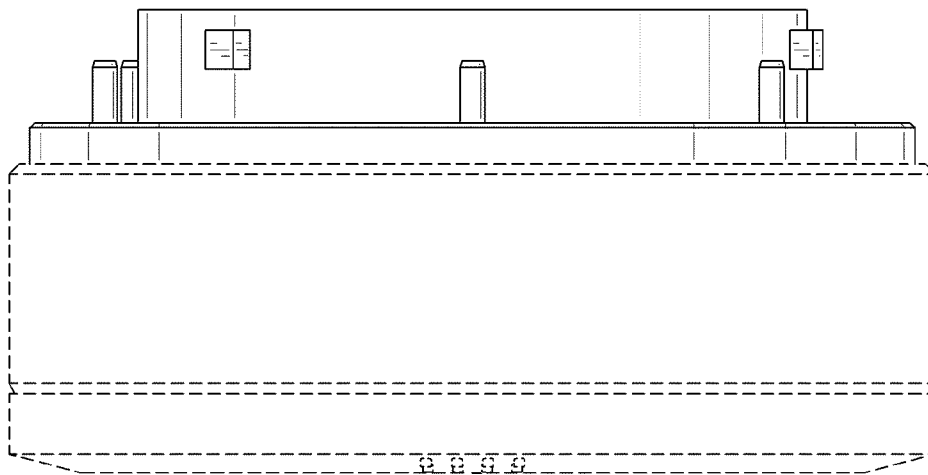


FIG. 5

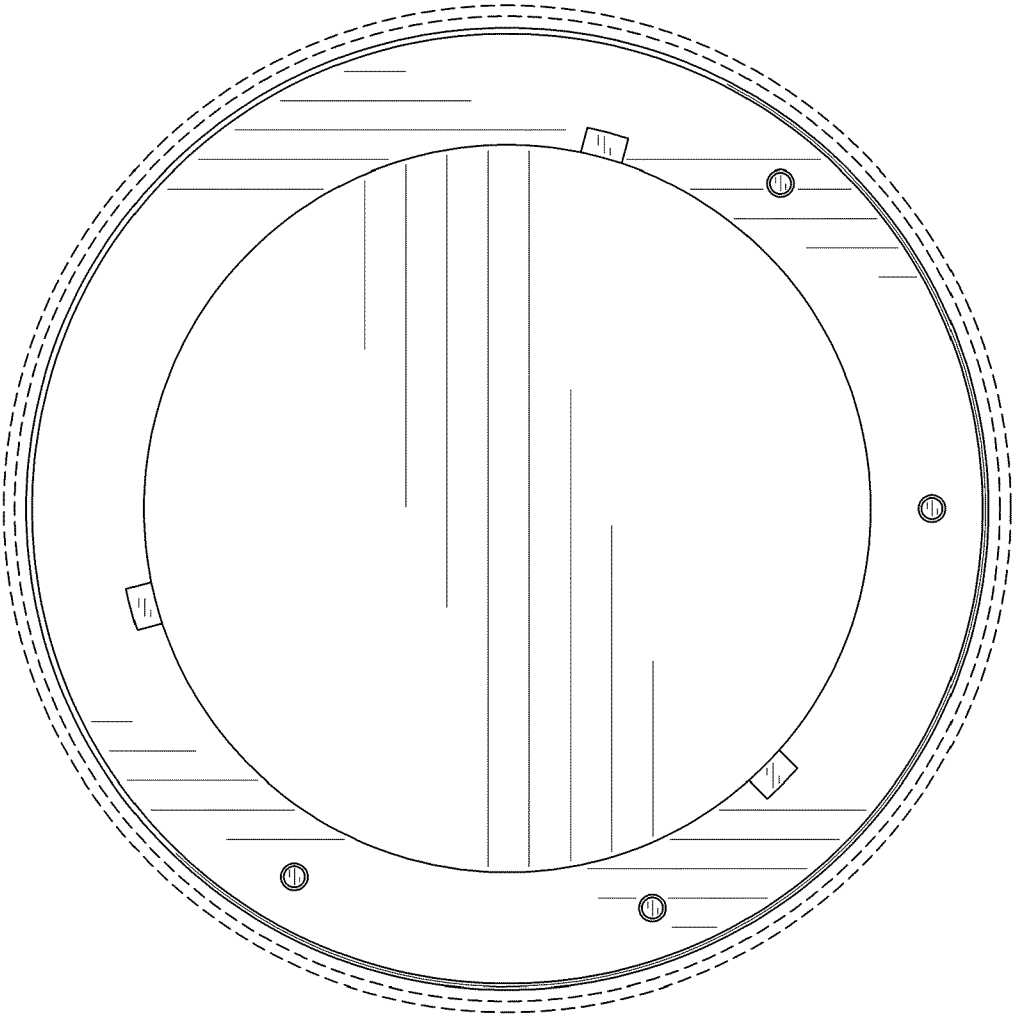


FIG. 6

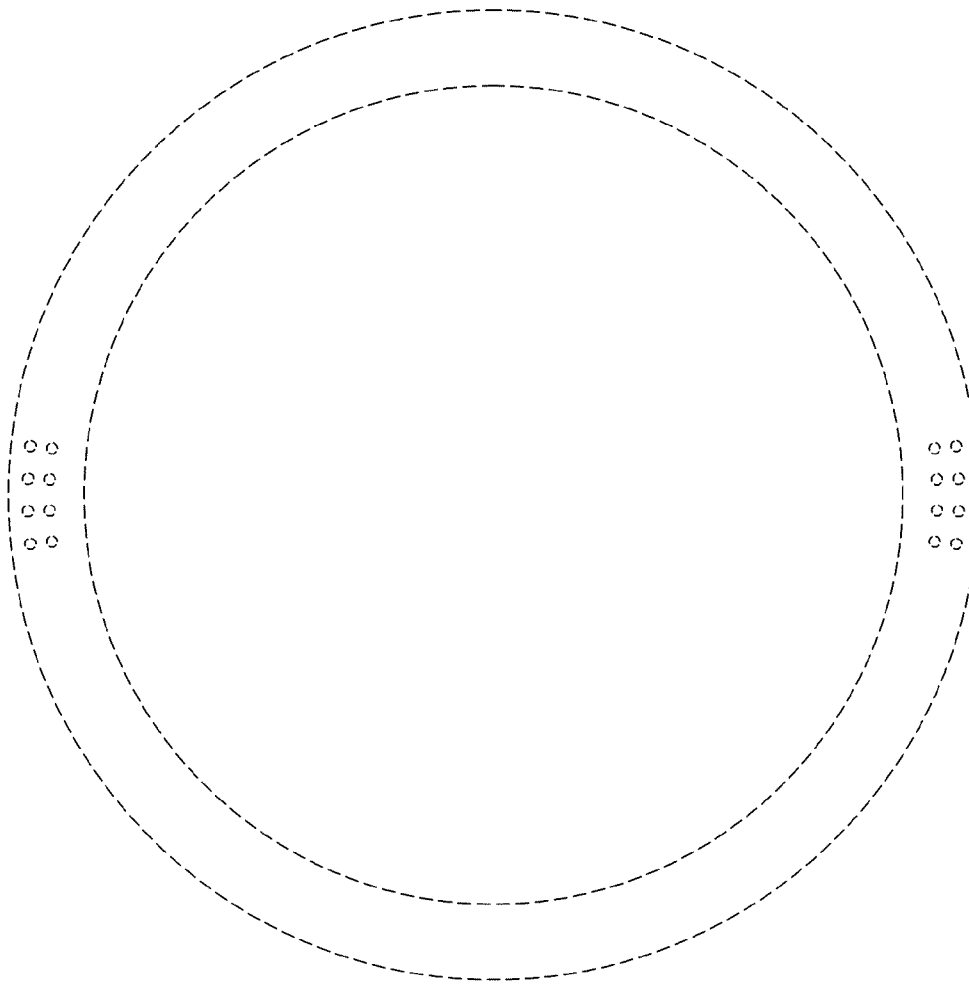


FIG. 7

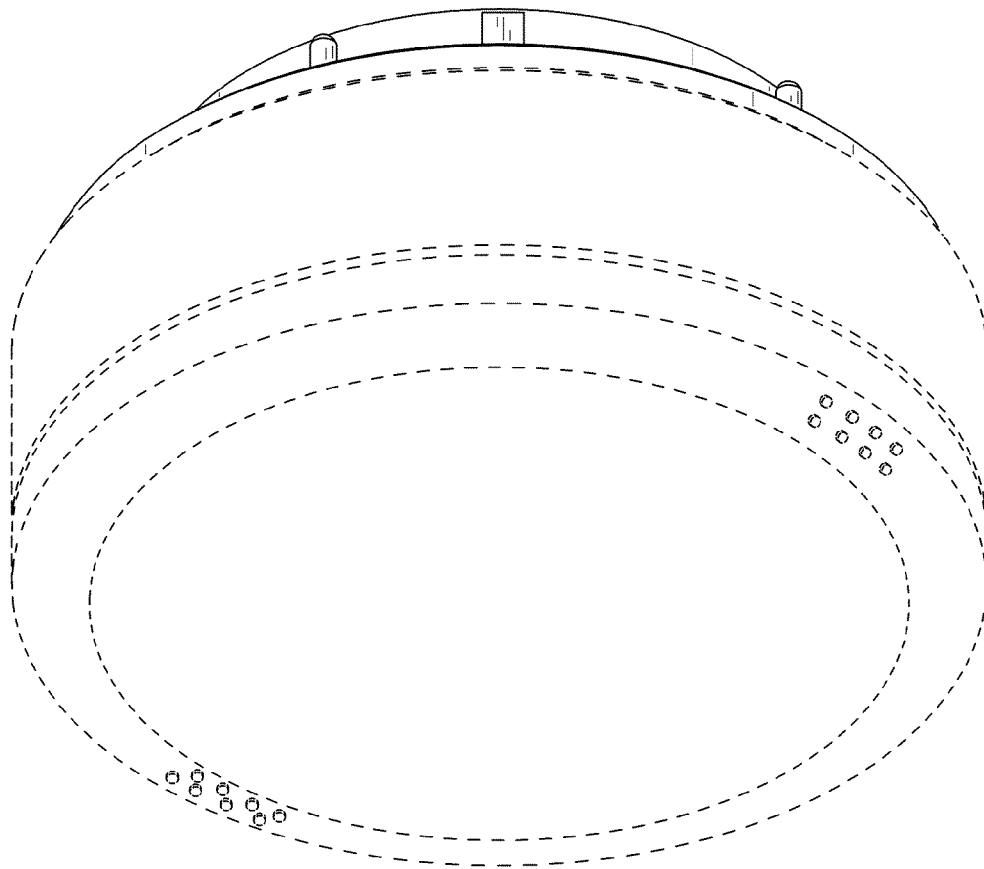


FIG. 8