



US00D533244S

(12) **United States Design Patent**  
**Kroll, Jr.**

(10) **Patent No.:** **US D533,244 S**

(45) **Date of Patent:** **\*\* Dec. 5, 2006**

(54) **GOLF PUTTER**

(76) Inventor: **William Kroll, Jr.**, 2382 Pioneer Trail,  
Hamel, MN (US) 55340

(\*\*) Term: **14 Years**

(21) Appl. No.: **29/236,743**

(22) Filed: **Aug. 19, 2005**

(51) **LOC (8) Cl.** ..... **21-02**

(52) **U.S. Cl.** ..... **D21/746**

(58) **Field of Classification Search** ..... D21/736-746;  
473/324-331, 251-256, 340, 341

See application file for complete search history.

(56) **References Cited**

**U.S. PATENT DOCUMENTS**

4,580,784 A *	4/1986	Brill .....	473/286
D291,908 S *	9/1987	Glennon et al. ....	D21/739
D408,878 S *	4/1999	Patten .....	D21/743
D478,642 S *	8/2003	Spino .....	D21/736

\* cited by examiner

*Primary Examiner*—Mitchell Siegel

(74) *Attorney, Agent, or Firm*—Skinner and Associate

(57) **CLAIM**

The ornamental design for a golf putter, as shown and described.

**DESCRIPTION**

FIG. 1 is a perspective view of a golf putter showing the design of this invention;

FIG. 2 is an inverted rear view thereof;

FIG. 3 is a top view thereof.

FIG. 4 is a front view thereof.

FIG. 5 is a bottom view thereof.

FIG. 6 is a side view thereof.

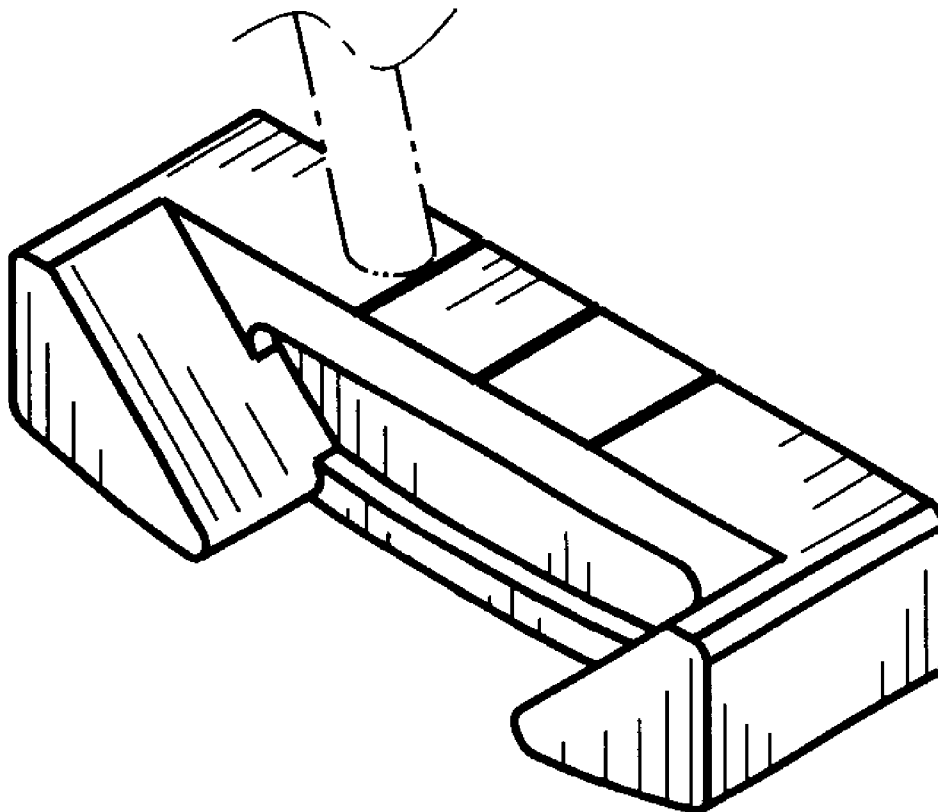
FIG. 7 is an opposite side view thereof.

FIG. 8 is an enlarged perspective view thereof; and,

FIG. 9 is an enlarged rear perspective view thereof.

The broken line showing is for illustrative purposes only and forms no part of the claimed design.

**1 Claim, 3 Drawing Sheets**



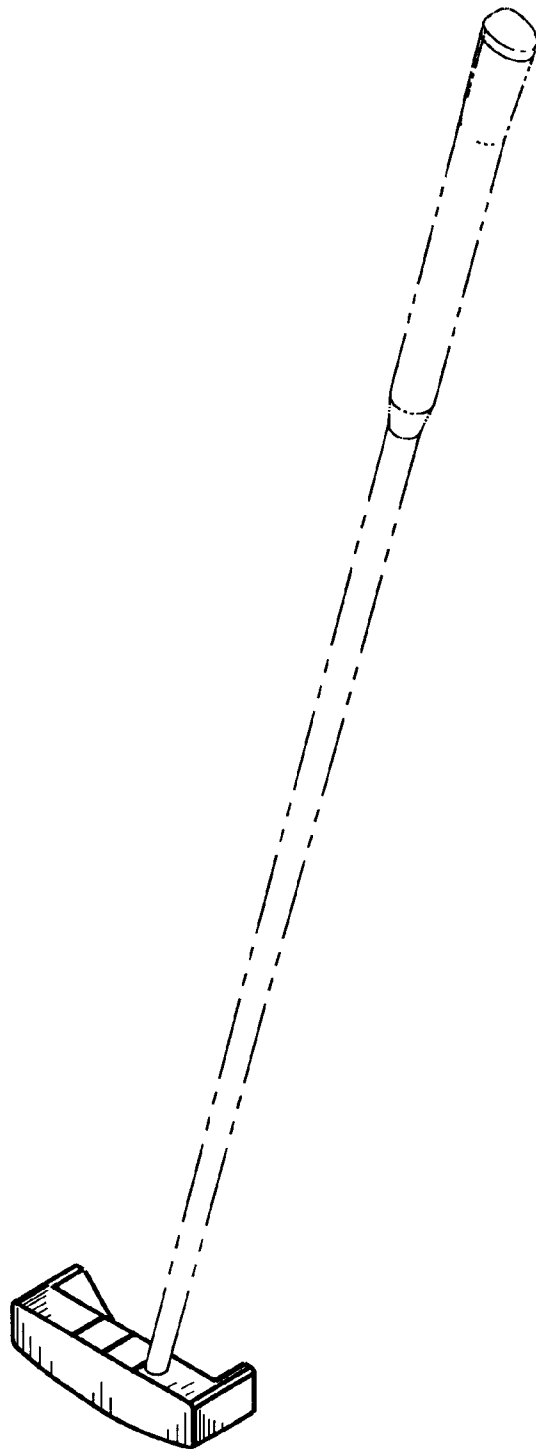


FIG. 1

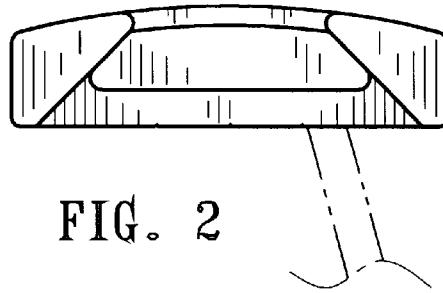


FIG. 2

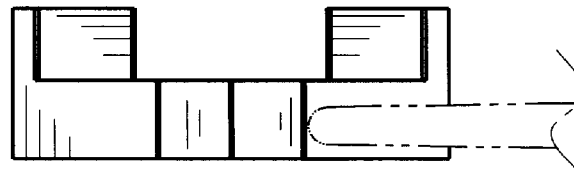


FIG. 3

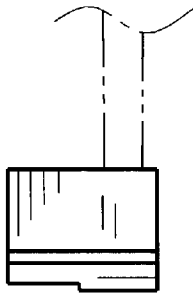


FIG. 6

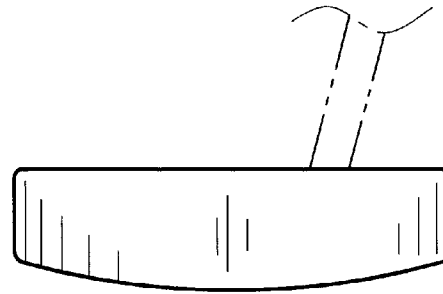


FIG. 4

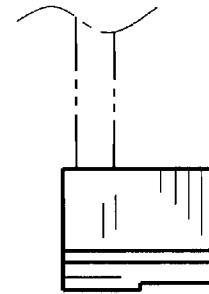


FIG. 7

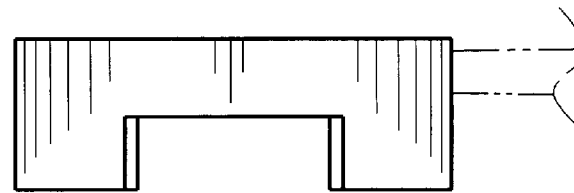


FIG. 5

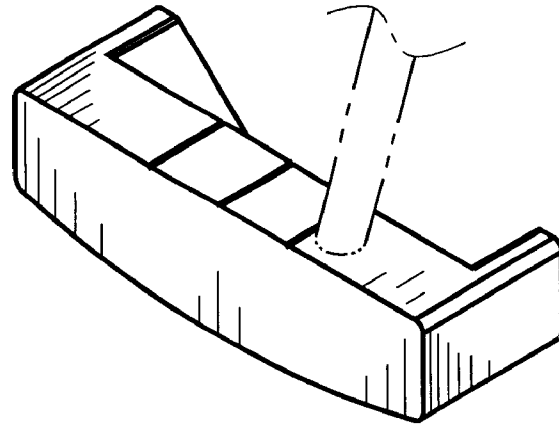


FIG. 8

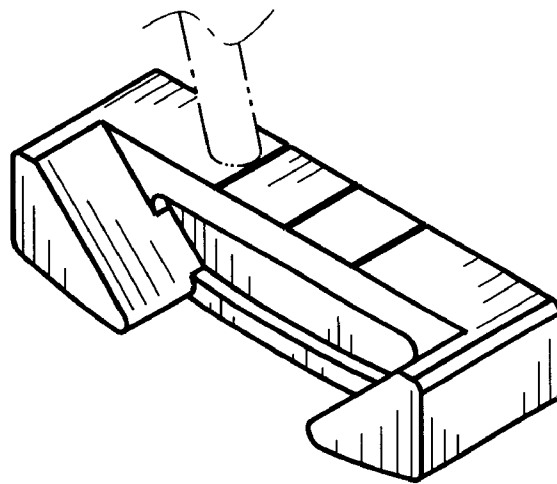


FIG. 9