

194,029

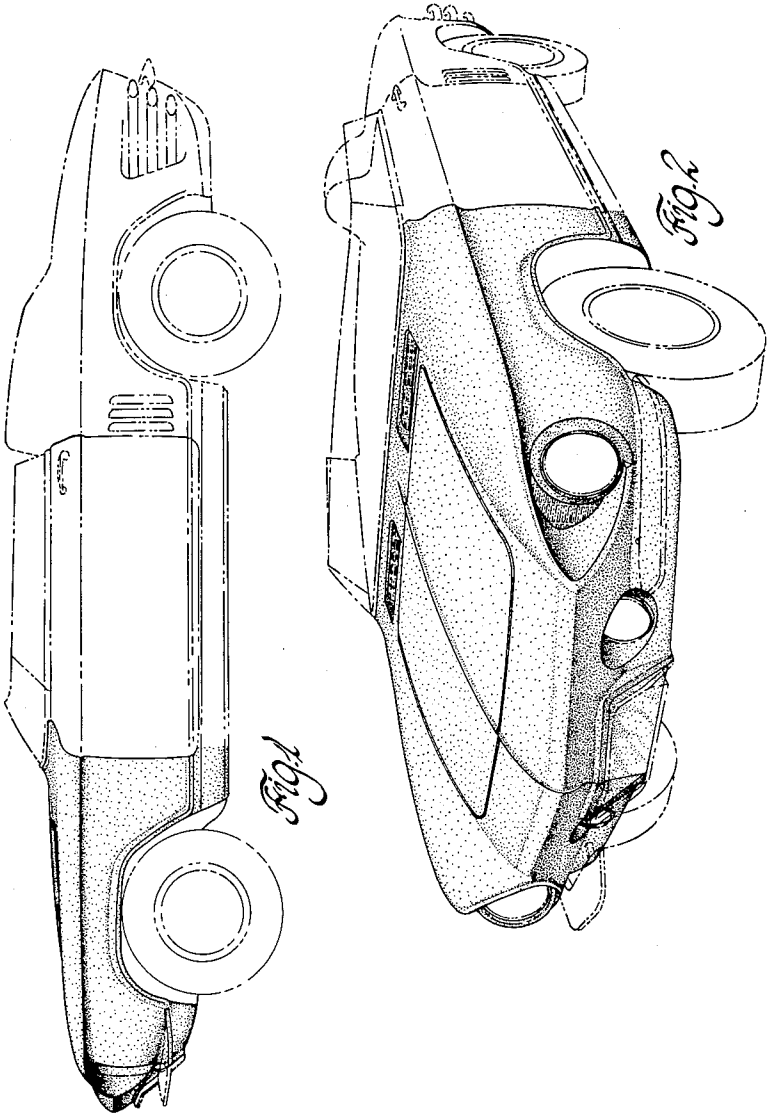
AUTOMOBILE

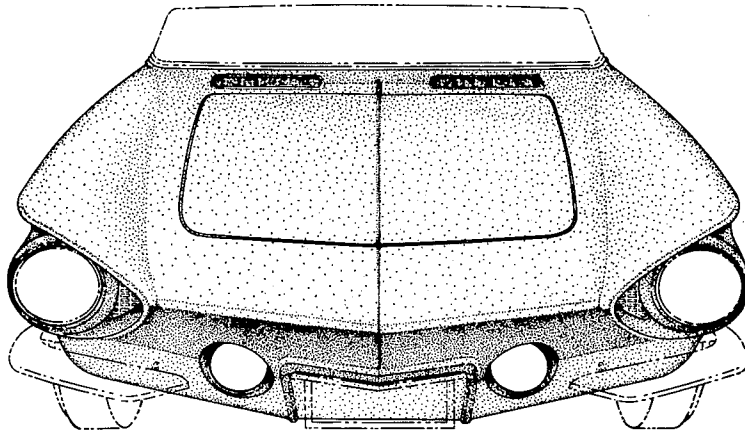
Lawrence Shinoda, Royal Oak, Mich., assignor to General Motors Corporation, Detroit, Mich., a corporation of Delaware

Filed July 5, 1962, Ser. No. 70,793

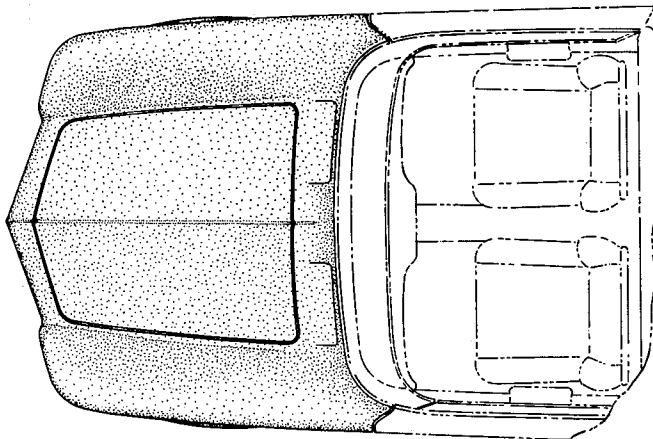
Term of patent 7 years

(Cl. D14—3)





*Fig. 3*



*Fig. 4*

FIGURE 1 is a side elevational view of an automobile according to my new design, the other side of the automobile being the same;

FIGURE 2 is a front perspective view;

FIGURE 3 is a front elevational view, and

FIGURE 4 is a top plan view.

The dominant features of my design reside in the full line portions of the drawings.

I claim:

The ornamental design for an automobile, substantially as shown and described.

References Cited in the file of this patent

UNITED STATES PATENTS

D. 181,109	Ross	Oct. 1, 1957
D. 183,498	Schemansky	Sept. 9, 1958