



US00D531237S

(12) **United States Design Patent**
Giger et al.

(10) **Patent No.:** **US D531,237 S**

(45) **Date of Patent:** **** Oct. 31, 2006**

(54) **PHYSICAL EXERCISER**

(76) Inventors: **Urs Giger**, Tugginerweg 3, CH-4503, Solothurn (CH); **Sonja Giger**, Tugginerweg 3, CH-4503, Solothurn (CH); **Adrian Giger**, Erlenweg 19, CH-4514, Lommiswil (CH); **Thomas Giger**, Bellacherstrasse 5, CH-4513, Langendorf (CH); **Martin Giger**, Ob. Steingrubenstrasse 2, CH-4500, Solothurn (CH)

(**) Term: **14 Years**

(21) Appl. No.: **29/235,094**

(22) Filed: **Jul. 28, 2005**

(30) **Foreign Application Priority Data**

Jan. 28, 2005 (WO) DM/066 322

(51) **LOC (8) Cl.** **21-02**

(52) **U.S. Cl.** **D21/666**

(58) **Field of Classification Search** D21/662, D21/665, 666, 673, 686, 690; 601/36; 482/62, 482/51, 133, 138, 139, 142, 1 See application file for complete search history.

(56) **References Cited**

U.S. PATENT DOCUMENTS

4,402,502 A * 9/1983 Peters 601/36

D279,918 S * 7/1985 Stumbaugh et al. D21/665
4,538,804 A * 9/1985 Zibell 482/57
D298,845 S * 12/1988 Giger D21/665
4,974,840 A * 12/1990 Welch 482/133
D365,860 S * 1/1996 Giger D21/690
D410,712 S * 6/1999 Giger et al. D21/665
6,592,502 B1 * 7/2003 Phillips 482/143

* cited by examiner

Primary Examiner—Philip S. Hyder
(74) *Attorney, Agent, or Firm*—Griffin & Szipl, P.C.

(57) **CLAIM**

The ornamental design for physical exerciser, as shown and described.

DESCRIPTION

FIG. 1 is a perspective view of the physical exerciser of the present invention.

FIG. 2 is a front view of the physical exerciser;

FIG. 3 is a rear view thereof;

FIG. 4 is a left side elevational view thereof;

FIG. 5 is a top plan view thereof;

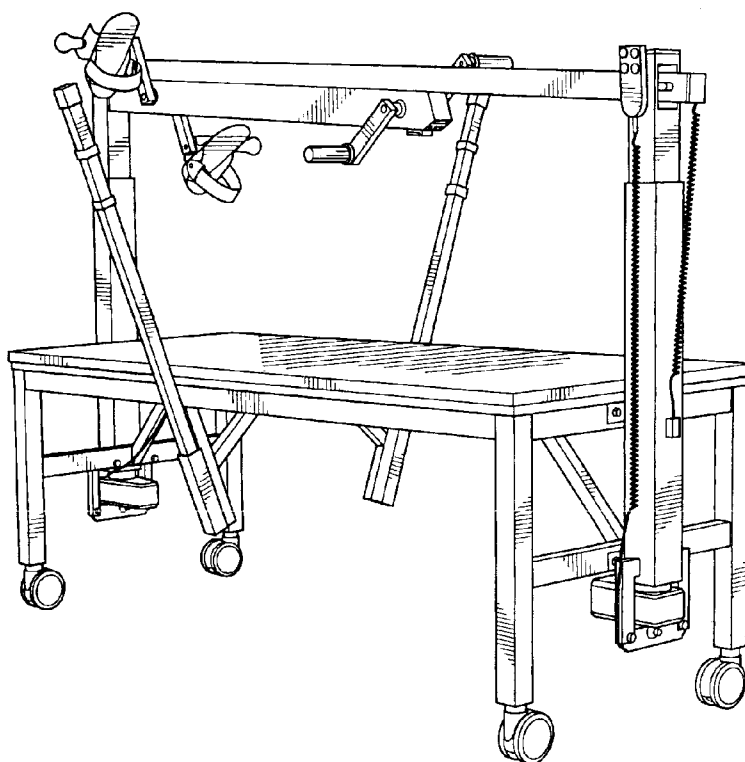
FIG. 6 is a perspective view thereof;

FIG. 7 is a front elevational view thereof; and,

FIG. 8 is a partial top perspective view thereof.

The broken lines showing a person and straps in FIGS. 6, 7, and 8 are for illustrative purposes only and form no part of the claimed design.

1 Claim, 8 Drawing Sheets



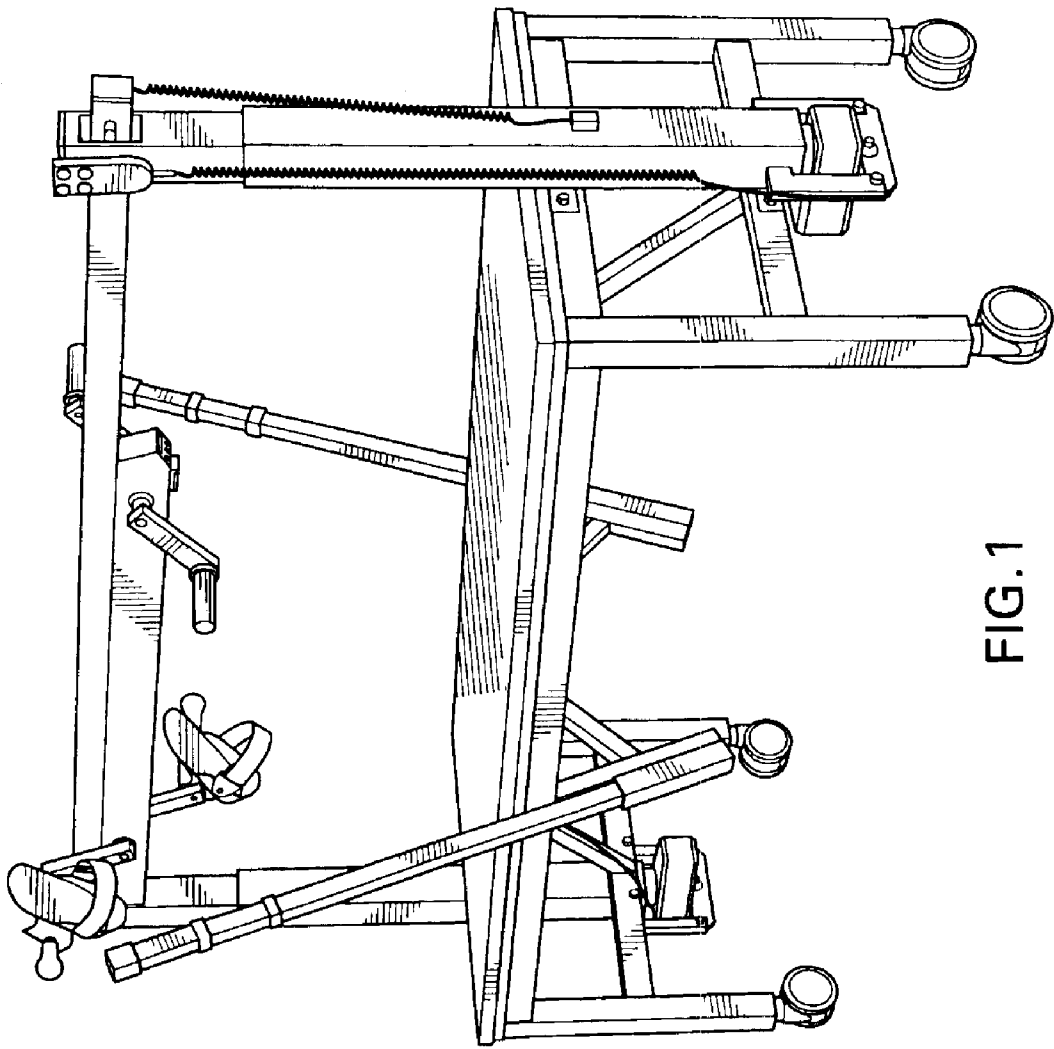


FIG. 1

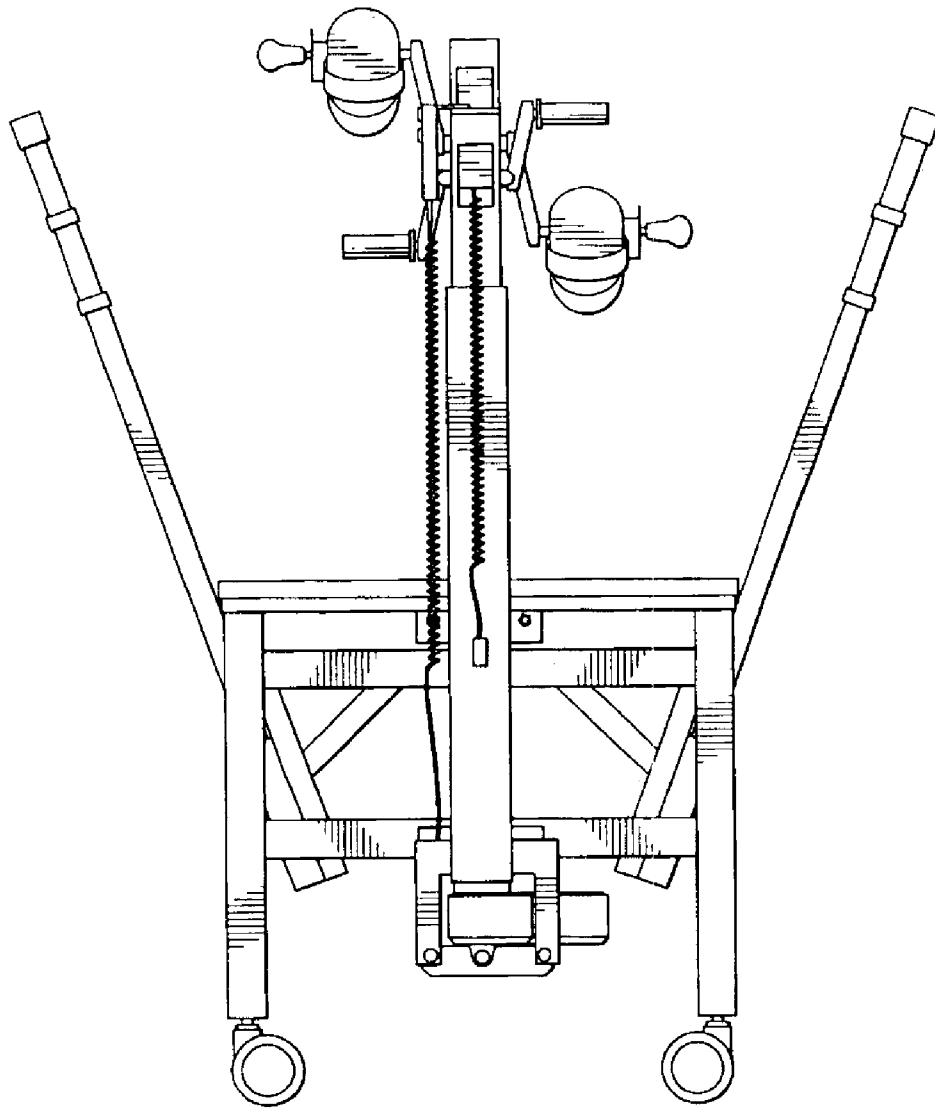


FIG.2

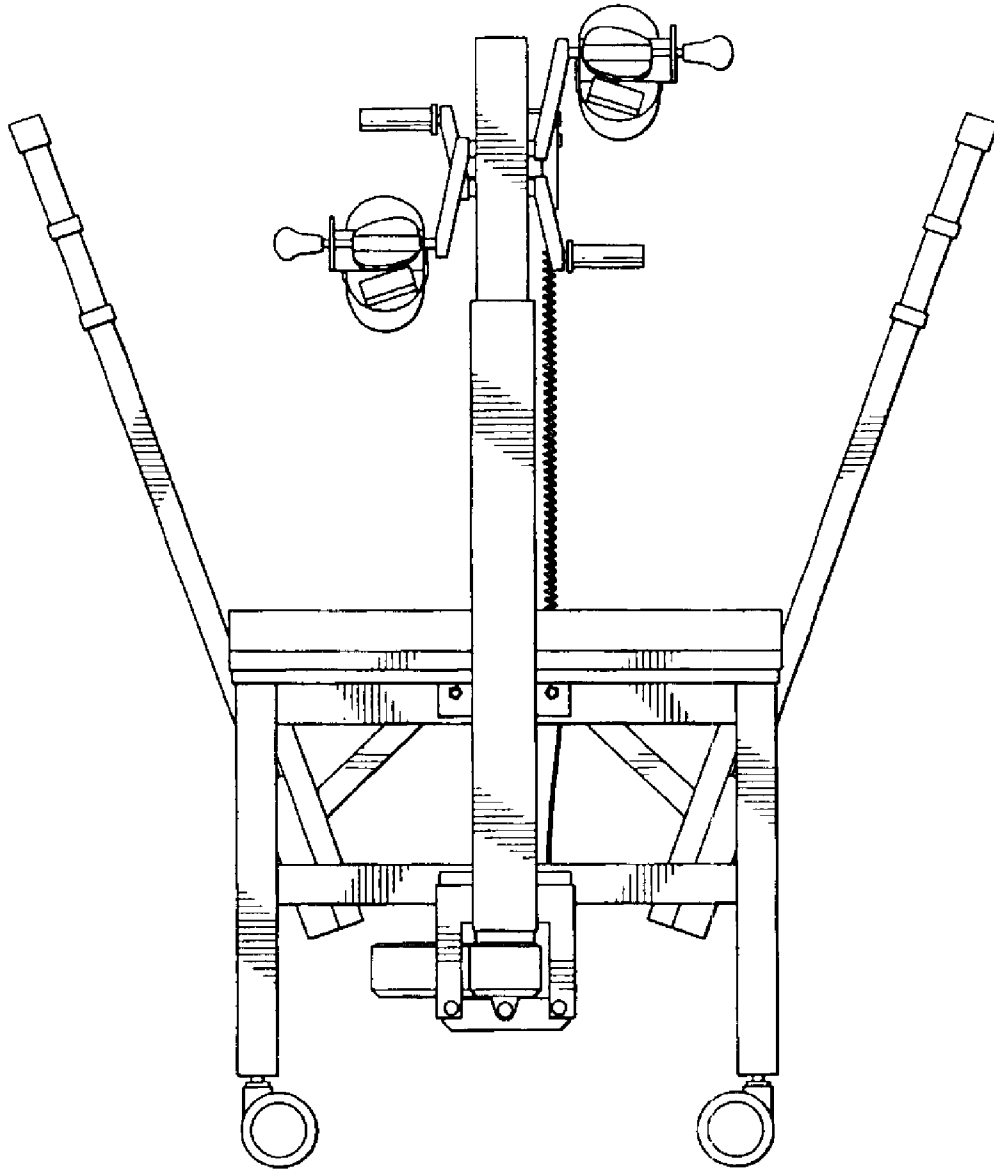


FIG. 3

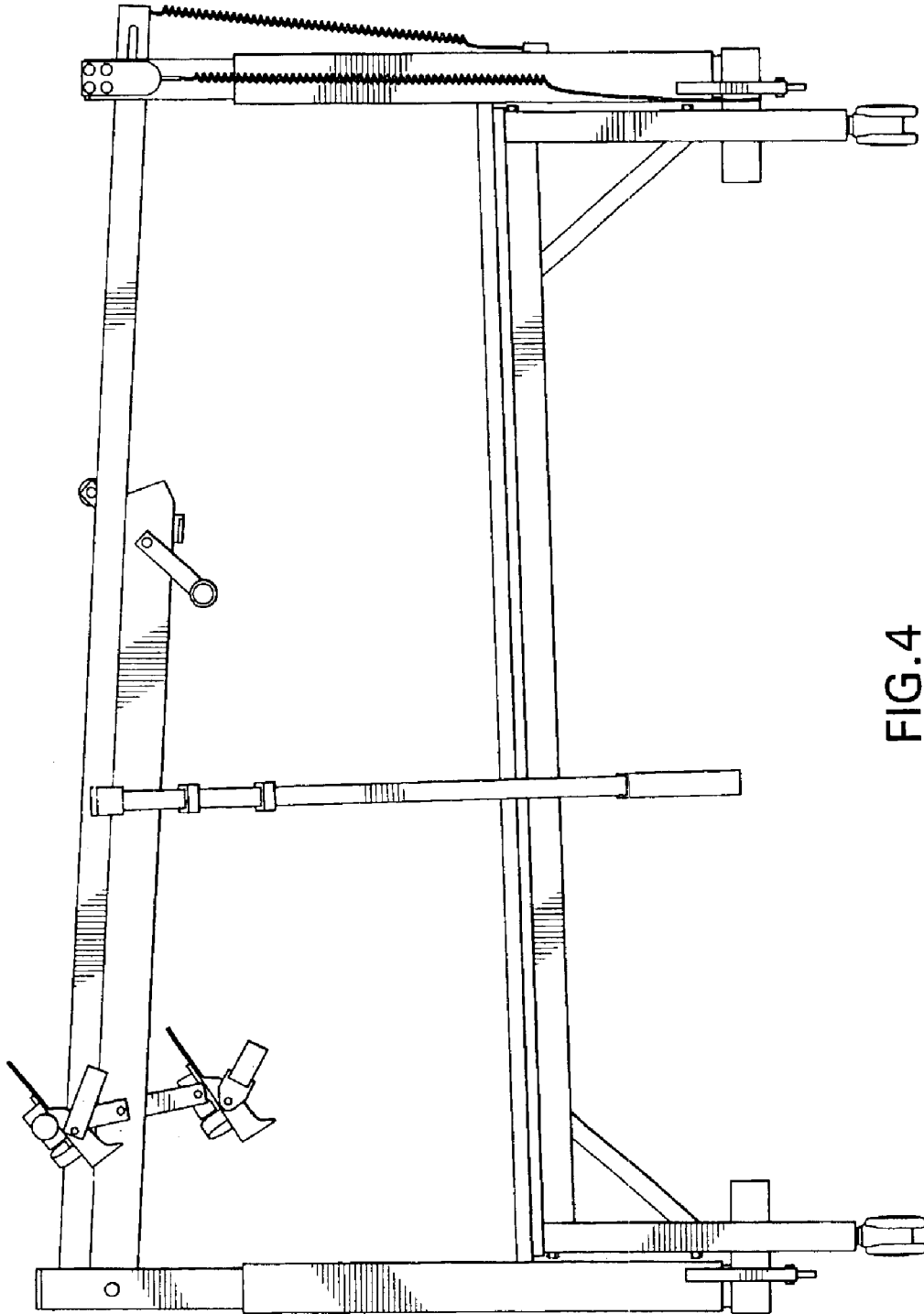


FIG. 4

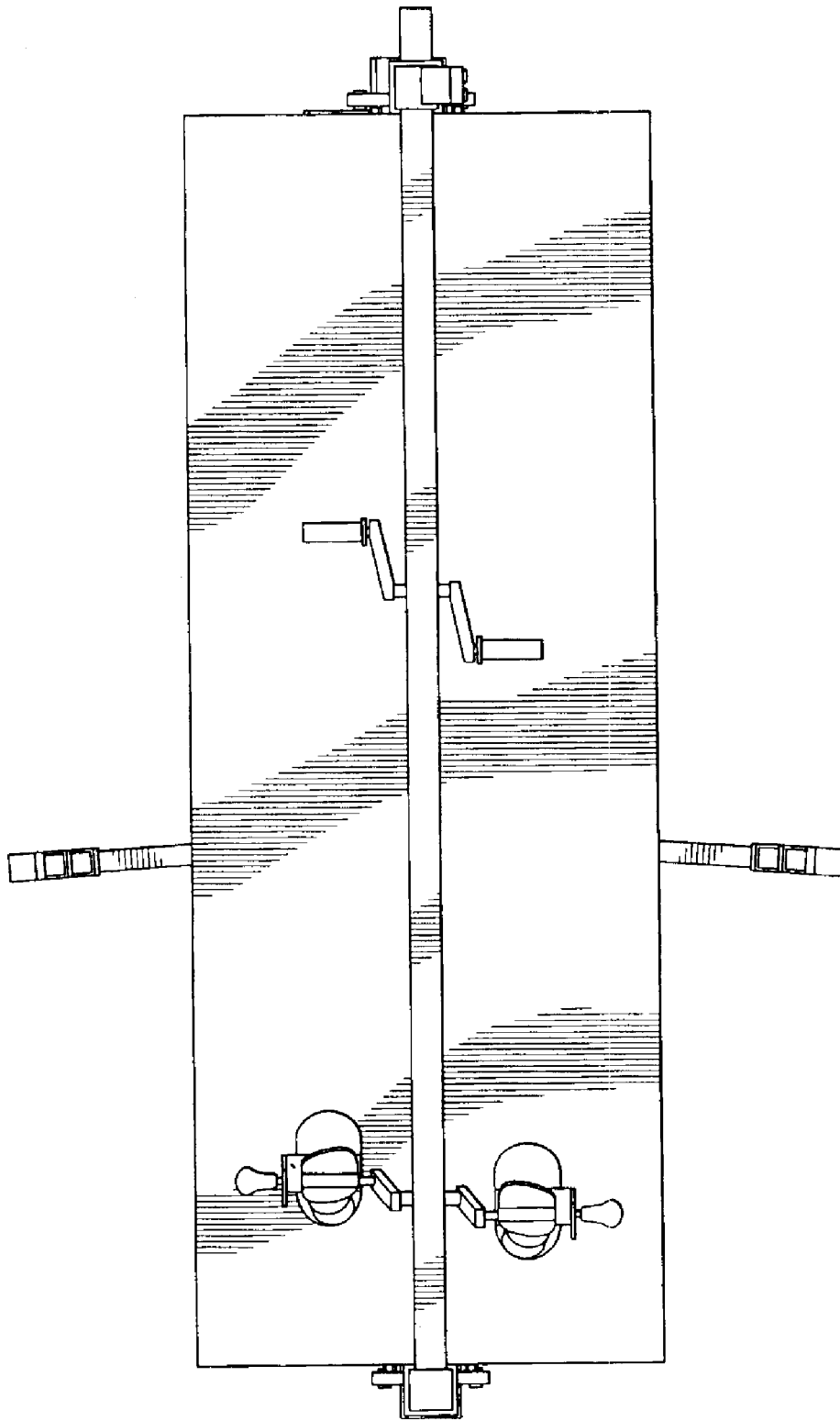


FIG.5

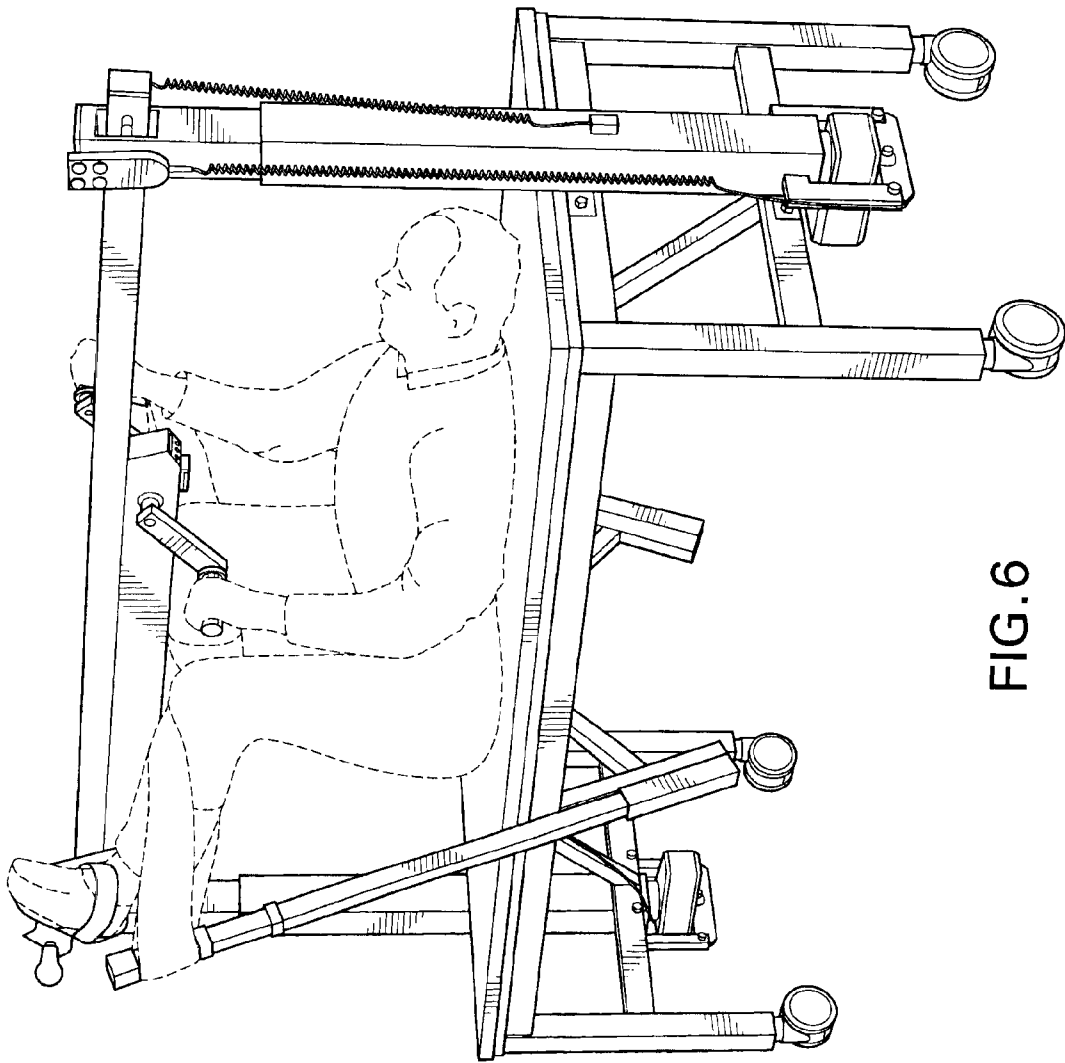


FIG. 6

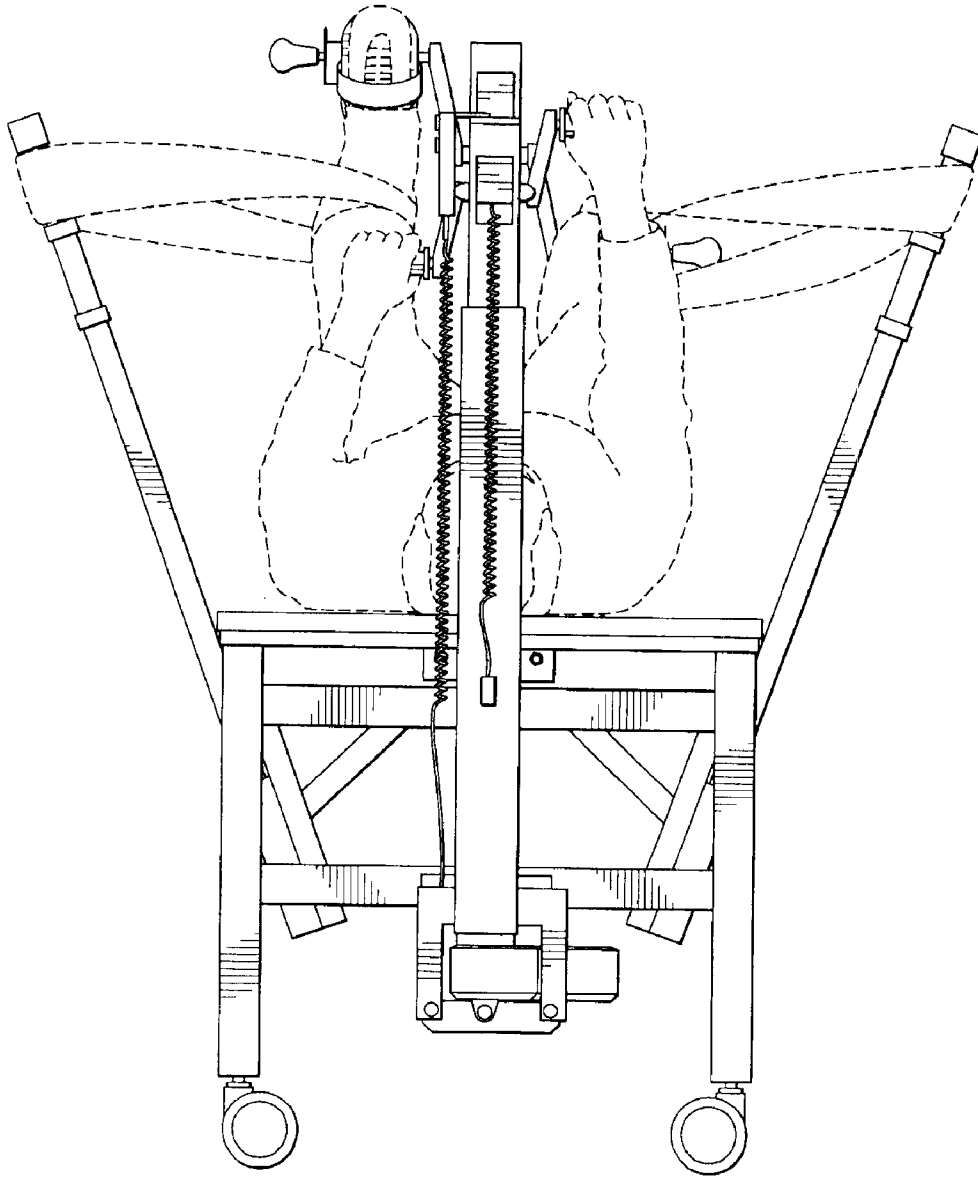


FIG. 7

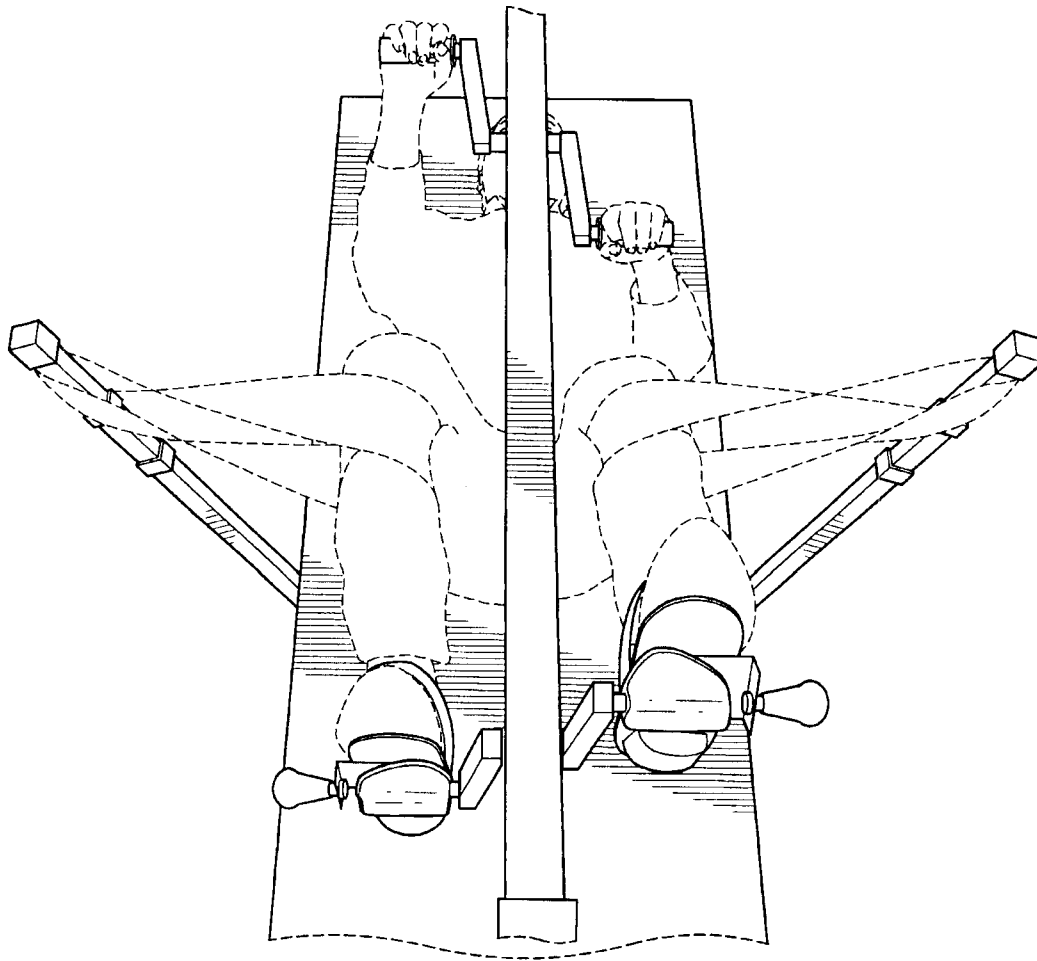


FIG. 8