



US00D755284S

(12) **United States Design Patent**
Terenzio et al.

(10) **Patent No.:** **US D755,284 S**

(45) **Date of Patent:** **** May 3, 2016**

(54) **PRINTER**

(71) Applicant: **Hewlett-Packard Development Company, L.P.**, Houston, TX (US)

(72) Inventors: **Dennis M. Terenzio**, Boise, ID (US);
Craig L. Hopper, Boise, ID (US); **Jason T. Squire**, Boise, ID (US)

(73) Assignee: **HEWLETT-PACKARD DEVELOPMENT COMPANY, L.P.**, Houston, TX (US)

(**) Term: **14 Years**

(21) Appl. No.: **29/476,661**

(22) Filed: **Dec. 16, 2013**

(51) **LOC (10) Cl.** **14-02**

(52) **U.S. Cl.**

USPC **D18/50**

(58) **Field of Classification Search**

USPC D18/6-7, 14, 19, 50, 54.1, 54, 55,
D18/36-39; D14/420-426, 462-470;
400/613, 613.1-613.4, 690.1-690.4,
400/691-694

See application file for complete search history.

(56) **References Cited**

U.S. PATENT DOCUMENTS

D537,109 S *	2/2007	Mizusugi et al.	D18/39
D545,893 S *	7/2007	Ogawa et al.	D18/50
D548,776 S *	8/2007	Egami et al.	D18/50
D556,255 S *	11/2007	Matsumoto	D18/50
D573,632 S *	7/2008	Iwai	D18/50
D578,568 S *	10/2008	Chiba et al.	D18/50
D579,042 S *	10/2008	Hattori	D18/50
D584,349 S *	1/2009	Tani	D18/55

D608,823 S *	1/2010	Tomono	D18/55
D620,520 S *	7/2010	Penke et al.	D18/40
D683,396 S *	5/2013	Yonekawa	D18/50
D701,563 S *	3/2014	Kim et al.	D18/39
D718,313 S *	11/2014	Goh et al.	D14/421

OTHER PUBLICATIONS

“LaserJet Enterprise 700 M712 printer series,” HP Product Manuel, Hewlett-Packard Development Company, L.P., Sep. 2012, 4 pages.

* cited by examiner

Primary Examiner — Cathy Anne MacCormac

(74) *Attorney, Agent, or Firm* — Hanley Flight & Zimmerman, LLC

(57) **CLAIM**

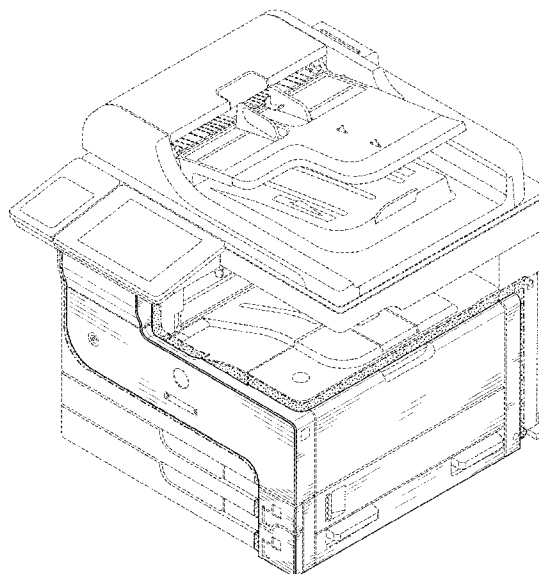
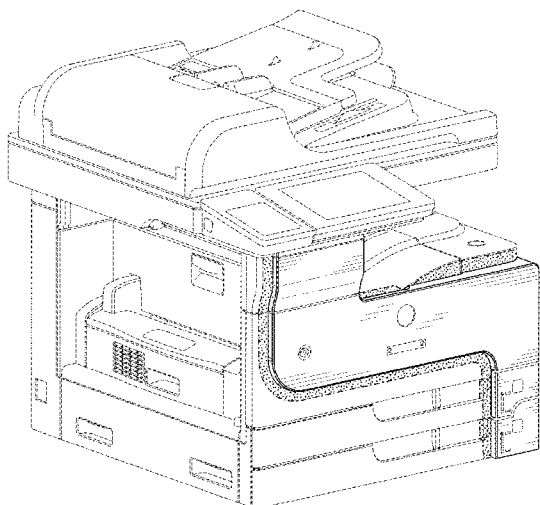
The ornamental design for a “printer,” as shown and described.

DESCRIPTION

FIG. 1 is a top, front, left side perspective view of a printer showing the new design;
FIG. 2 is a top, front, right side perspective view thereof;
FIG. 3 is a front view thereof;
FIG. 4 is a right side view thereof;
FIG. 5 is a left side view thereof; and,
FIG. 6 is a back view thereof.

The stippling shows a contrast in appearance. The stippled shading is part of the claimed design. The alternating long and short dashed broken lines immediately adjacent the outer edge of the stippled shaded areas represent the bounds of the claimed design, depict environmental subject matter, are for illustration only and do not form part of the claimed design. The features shown in broken line depict environmental subject matter, are for illustration only and form no part of the claimed design.

1 Claim, 6 Drawing Sheets



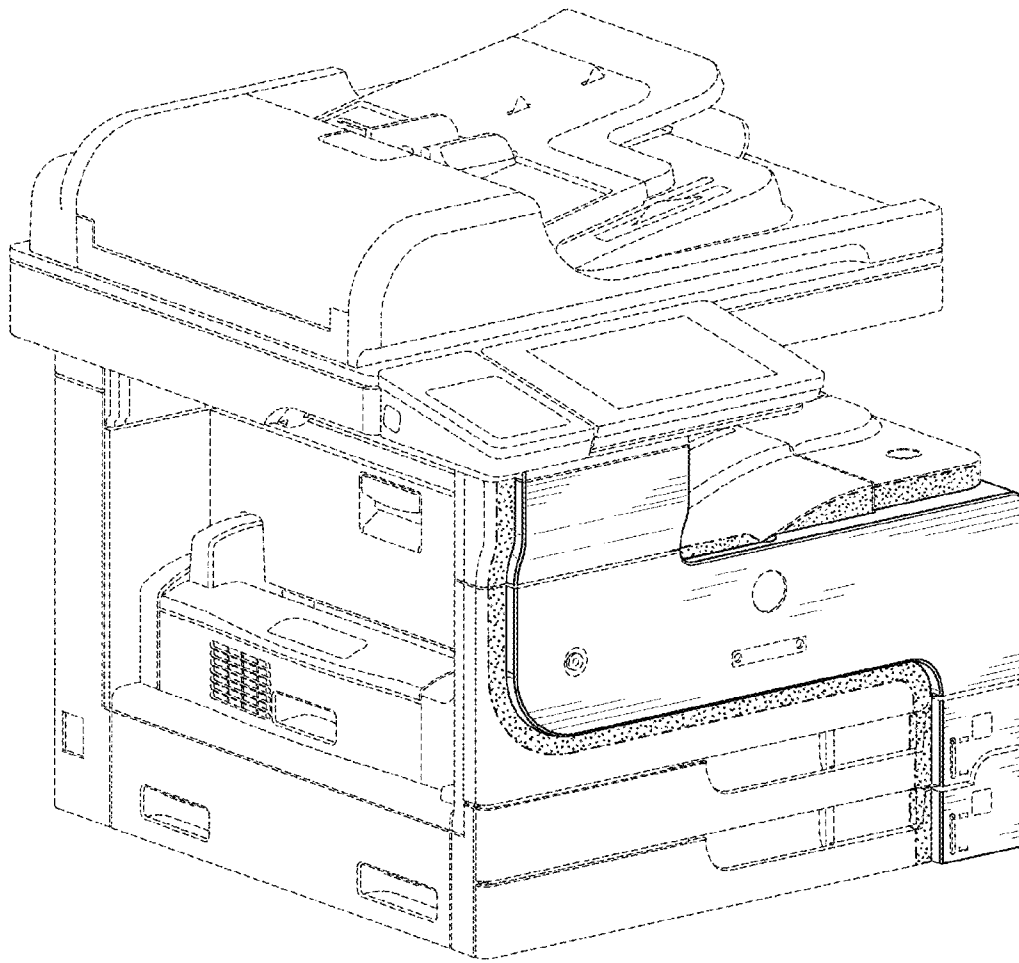


FIG. 1

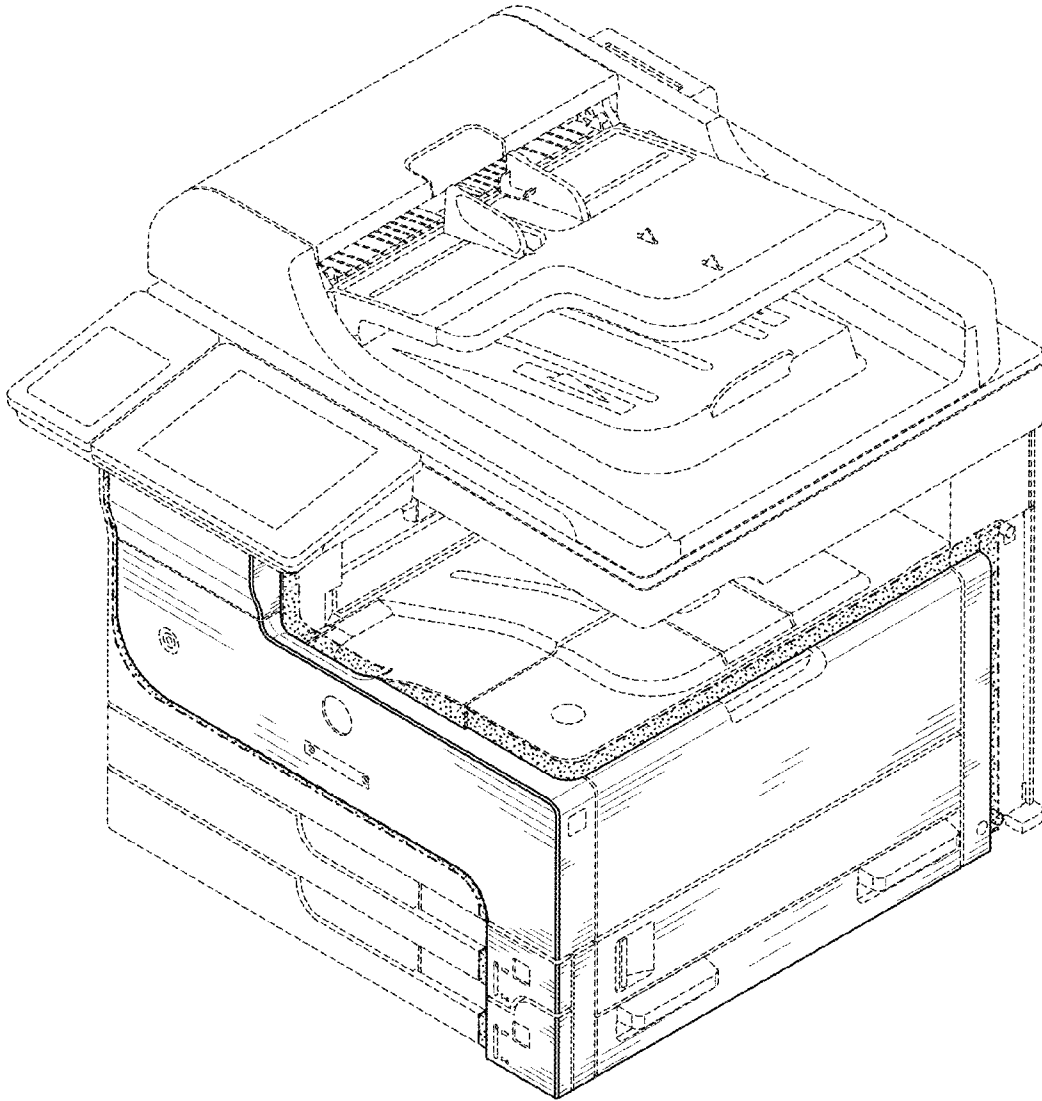


FIG. 2

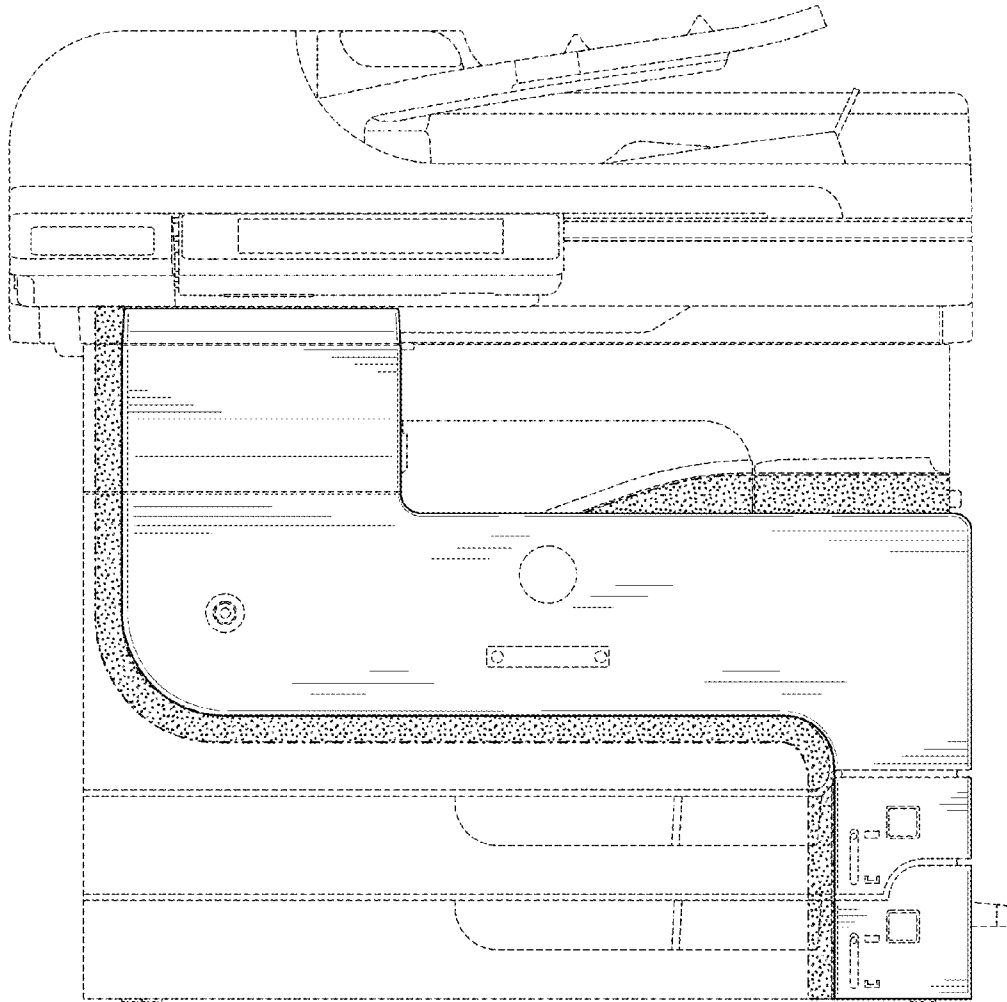


FIG. 3

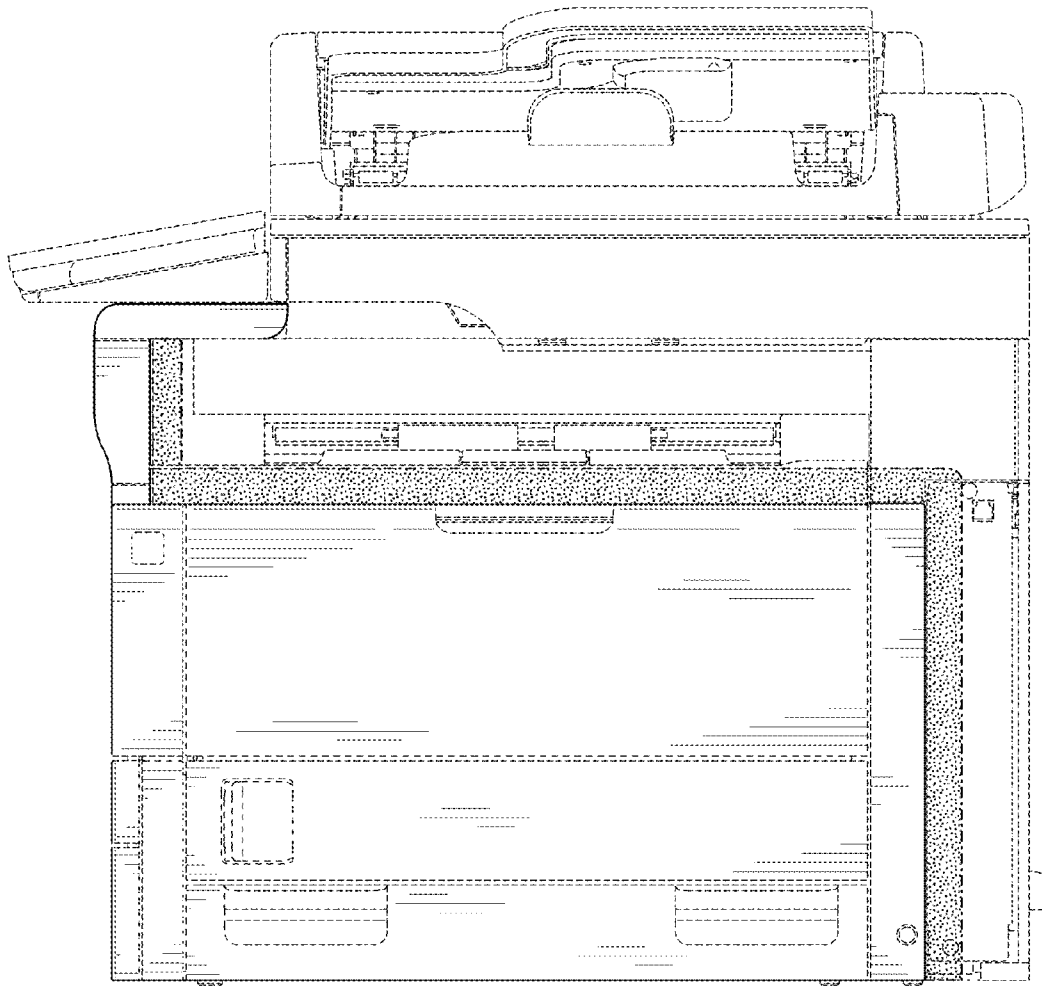


FIG. 4

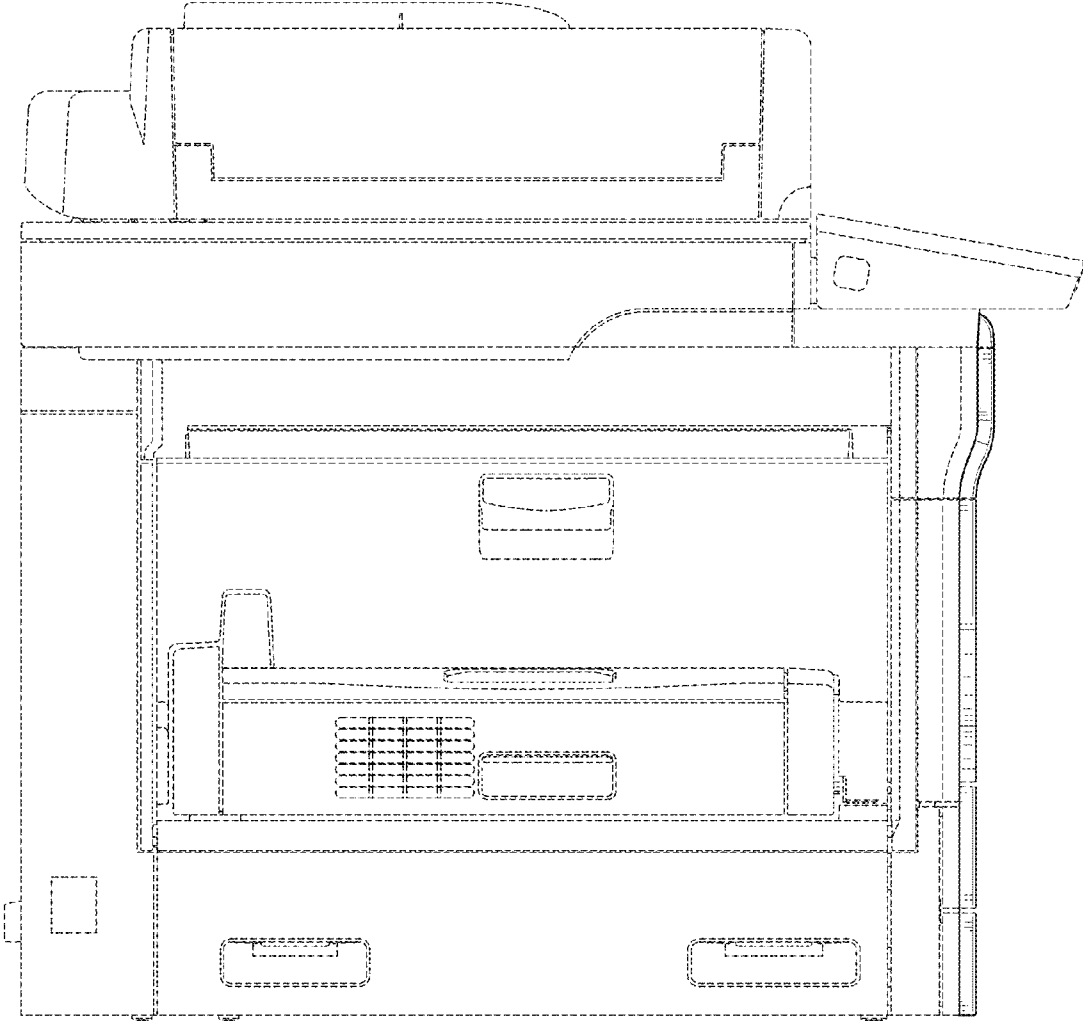


FIG. 5

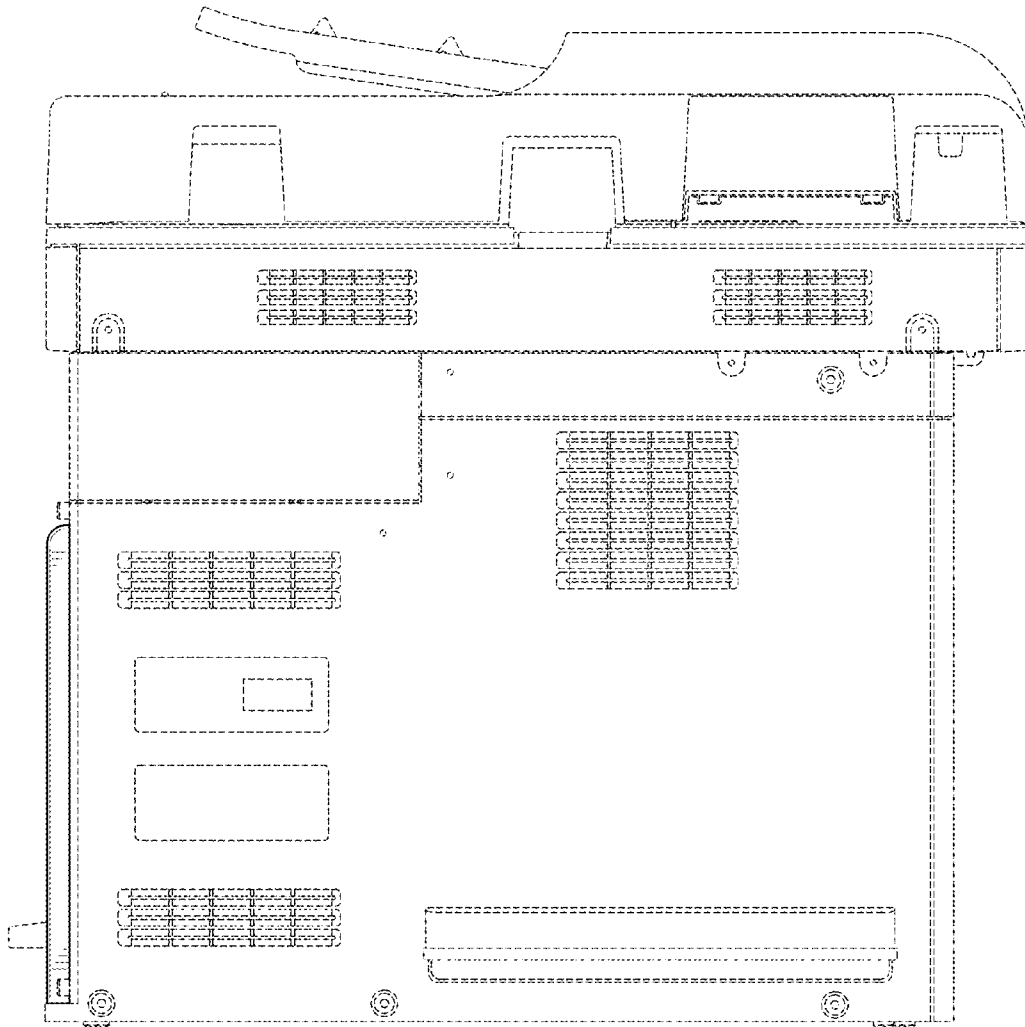


FIG. 6