



US00D853351S

(12) **United States Design Patent** (10) **Patent No.:** **US D853,351 S**
Ott et al. (45) **Date of Patent:** **** Jul. 9, 2019**

(54) **HEADPHONES**

(71) Applicant: **Harman International Industries, Incorporated**, Northridge, CA (US)

(72) Inventors: **Ryan Ott**, St. Louis, MO (US); **Effrosini A. Karayiannis**, St. Louis, MO (US); **Daniel I. Radin**, Waterford, CT (US); **Yanyao He**, Shenzhen (CN)

(73) Assignee: **Harman International Industries, Incorporated**, Northridge, CA (US)

(**) Term: **15 Years**

(21) Appl. No.: **29/615,326**

(22) Filed: **Aug. 28, 2017**

(51) **LOC (11) Cl.** **14-01**

(52) **U.S. Cl.**

USPC **D14/205**

(58) **Field of Classification Search**

USPC D14/205, 372, 223; 181/129, 130, 135; 379/430, 431; 381/380, 381, 374, 375, 381/74, 151; 455/90.3, 575.1, 569.1

CPC H04R 1/105; H04R 1/10; H04R 1/1016; H04R 1/1066; H04R 5/033; H04R 5/0335; H04R 25/00; H04R 1/1033

See application file for complete search history.

(56) **References Cited**

U.S. PATENT DOCUMENTS

6,010,216	A *	1/2000	Jesiek	H04B 1/385 351/158
D566,099	S	4/2008	Komiyama		
D569,841	S	5/2008	Chung et al.		
D589,493	S	3/2009	Densho		
D593,067	S *	5/2009	Millora	D14/205
D606,971	S	12/2009	Christopher et al.		
D617,308	S *	6/2010	Nousiainen	D14/205
D618,210	S	6/2010	Andre et al.		
D618,211	S	6/2010	Oguro et al.		

D621,389	S	8/2010	Nagayama et al.		
D623,630	S	9/2010	Ohori et al.		
D627,765	S	11/2010	Zheng		
D637,180	S	5/2011	Shimizu et al.		
D641,008	S	7/2011	Lee et al.		
D641,737	S *	7/2011	Krauss	D14/205
D645,458	S *	9/2011	Silvestri	H04R 1/1016 D14/223

(Continued)

FOREIGN PATENT DOCUMENTS

CN	304317823	S	10/2017
EM	002756031-0001		9/2015
EM	004037588-0002		6/2017

OTHER PUBLICATIONS

JBL Everest Elite 100 Quick Start Guide, JBL by Harman, Jan. 18, 2016.

(Continued)

Primary Examiner — Paula Allen Greene
(74) *Attorney, Agent, or Firm* — Plumsea Law Group, LLC

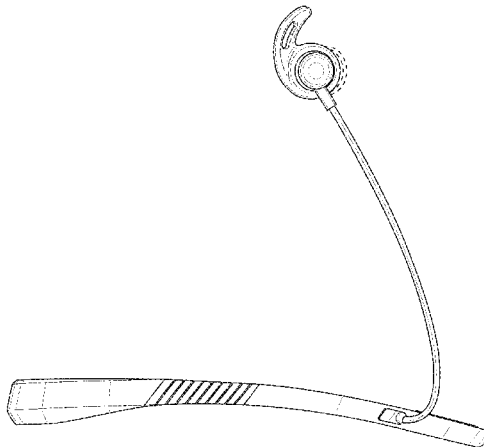
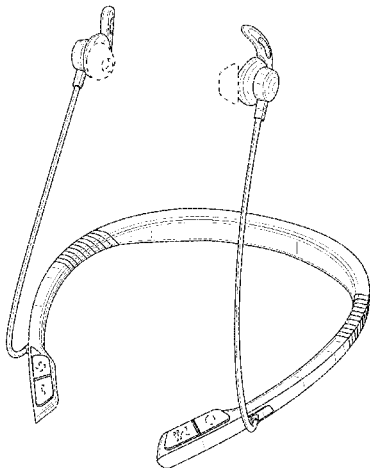
(57) **CLAIM**

The ornamental design for headphones, as shown and described.

DESCRIPTION

FIG. 1 is a perspective view of headphones showing our new design;
FIG. 2 is a front elevation view thereof;
FIG. 3 is a rear elevation view thereof;
FIG. 4 is a side elevation view of one side thereof;
FIG. 5 is a side elevation view of the opposite side thereof;
FIG. 6 is a top plan view thereof; and,
FIG. 7 is a bottom plan view thereof.
The broken line showings form no part of the claimed design.

1 Claim, 7 Drawing Sheets



(56)

References Cited

U.S. PATENT DOCUMENTS

D652,822 S	1/2012	Lee et al.	
D656,491 S	3/2012	Nomura	
D663,714 S *	7/2012	Kang	D14/205
D678,856 S	3/2013	Feng et al.	
D678,857 S	3/2013	Feng et al.	
D678,858 S	3/2013	Eng et al.	
D679,267 S	4/2013	Lee et al.	
D679,682 S	4/2013	Shimizu et al.	
D686,191 S *	7/2013	Schaal	D14/205
D689,848 S	9/2013	Lee et al.	
D694,220 S	11/2013	Lee et al.	
D695,724 S	12/2013	Ishikura	
D698,760 S	2/2014	Lee et al.	
D700,905 S	3/2014	Pavitsich	
D703,634 S *	4/2014	Han	H04R 1/1016 D14/205
D715,253 S	10/2014	Lee et al.	
D715,254 S	10/2014	Lee et al.	
D718,745 S	12/2014	Thompson et al.	
D721,673 S *	1/2015	Park	D14/205
D727,871 S	4/2015	Orbach	
D729,775 S	5/2015	Seo et al.	
D740,255 S	10/2015	Samrelius	
D740,785 S *	10/2015	Chen	D14/205
D740,786 S	10/2015	Huang et al.	
D742,859 S	11/2015	Miyake et al.	
D743,933 S *	11/2015	Park	D14/205
D760,189 S	6/2016	Loh Jun Kern et al.	
D762,196 S	7/2016	Hsieh et al.	
D762,617 S *	8/2016	Park	D14/205
D763,224 S *	8/2016	Silvestri	H04R 1/1016 D14/205
D763,822 S *	8/2016	Lee	D14/205
D766,210 S *	9/2016	Graylin	D14/205
D771,011 S	11/2016	Ott et al.	
D771,587 S *	11/2016	Iwane	D14/205
D775,108 S	12/2016	Hsieh et al.	
D776,636 S *	1/2017	Lim	D14/205
D777,011 S *	1/2017	Vavassori	D12/345
D777,136 S *	1/2017	Erbeus	D14/205
D777,137 S *	1/2017	Erbeus	D14/205
D777,139 S	1/2017	Fletcher et al.	
D778,268 S	2/2017	Hsieh et al.	
D780,155 S	2/2017	Levine et al.	
9,571,928 B2 *	2/2017	Seo	G06F 3/165
D784,962 S	4/2017	Yang	
D796,473 S *	9/2017	Kim	D14/205
D800,703 S	10/2017	Vaclavik	
9,794,683 B2 *	10/2017	Kim	H04R 1/323
D803,816 S	11/2017	Bolster	
D810,720 S *	2/2018	Lee	D14/205
D811,366 S	2/2018	Mackiewicz et al.	
D822,646 S *	7/2018	Dang	D14/223
D824,358 S *	7/2018	Vaclavik	D14/205
D826,899 S *	8/2018	Ahn	D14/205
2007/0003093 A1 *	1/2007	Ito	H04R 1/1066 381/378
2015/0222978 A1	6/2015	Murozaki	
2015/0196101 A1 *	7/2015	Dayal	A61H 3/061 63/1.11
2015/0264474 A1 *	9/2015	Seo	G06F 3/165 381/74
2016/0098138 A1 *	4/2016	Park	G06F 3/0416 345/173

OTHER PUBLICATIONS

JBL Everest Elite 100 Specification Sheet, JBL by Harman, 2015.
 Design U.S. Appl. No. 29/631,197, filed Dec. 28, 2017, available via USPTO.
 Design U.S. Appl. No. 29/631,265, filed Dec. 28, 2017, available via USPTO.
 Design U.S. Appl. No. 29/631,217, filed Dec. 28, 2017, available via USPTO.
 JBL Everest Elite 100 NXTGEN Noise-Cancelling Bluetooth In-Ear Headphones Black, first available Mar. 15, 2016, site visited Nov. 20, 2017, Copyright © 1996-2017, <https://www.amazon.com/JBL-Everest-Elite-Noise-Cancelling-Bluetooth-Headphones/dp/B01D0CEC62/ref=sr_1_2_sspa?ie=UTF8&qid=1511212239&sr=8-2-spons&keywords=jbl+everest+elite&psc=1&smid=AKR88PAWTQVN2>.
 Design U.S. Appl. No. 29/560,428, filed Apr. 6, 2018, available via USPTO.
 JBL Everst Elite 100 Quick Start Guide, JBL by Harman, Jan. 18, 2016.

* cited by examiner

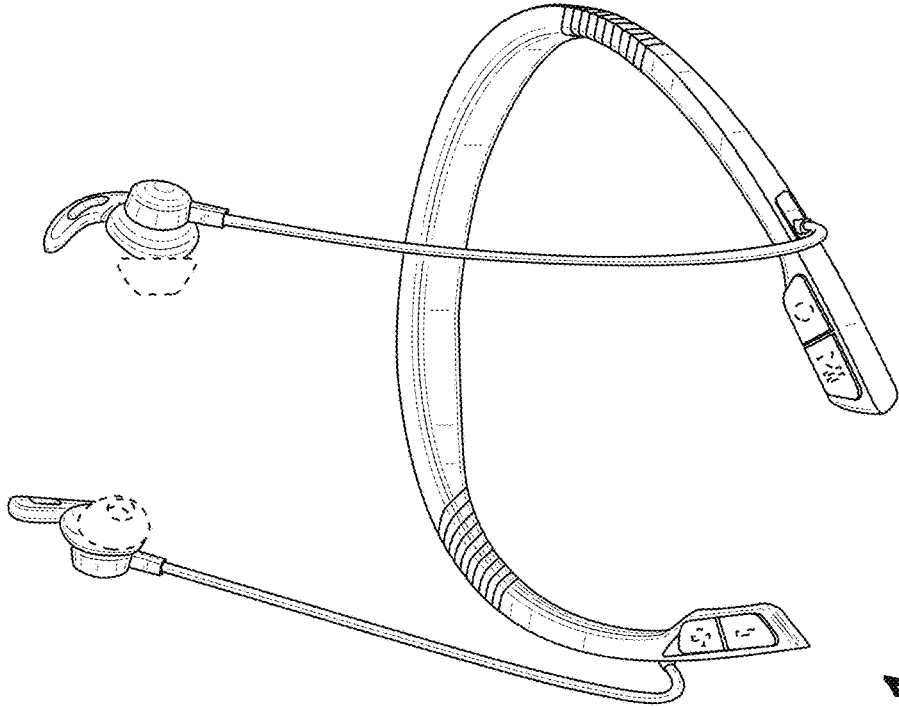


FIG. 1

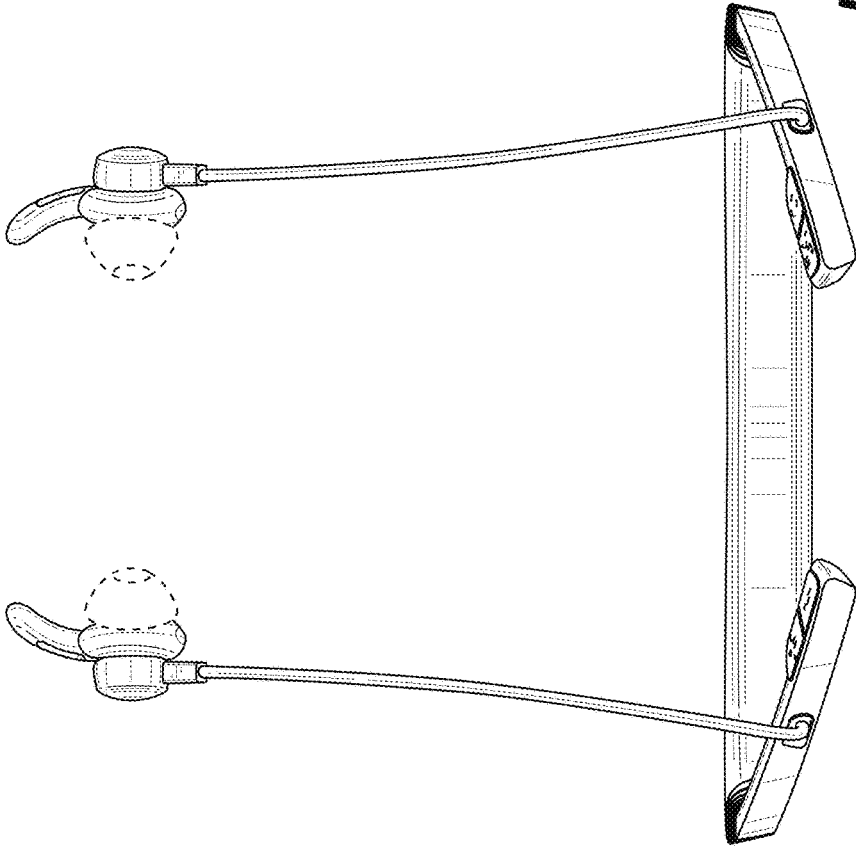


FIG. 2

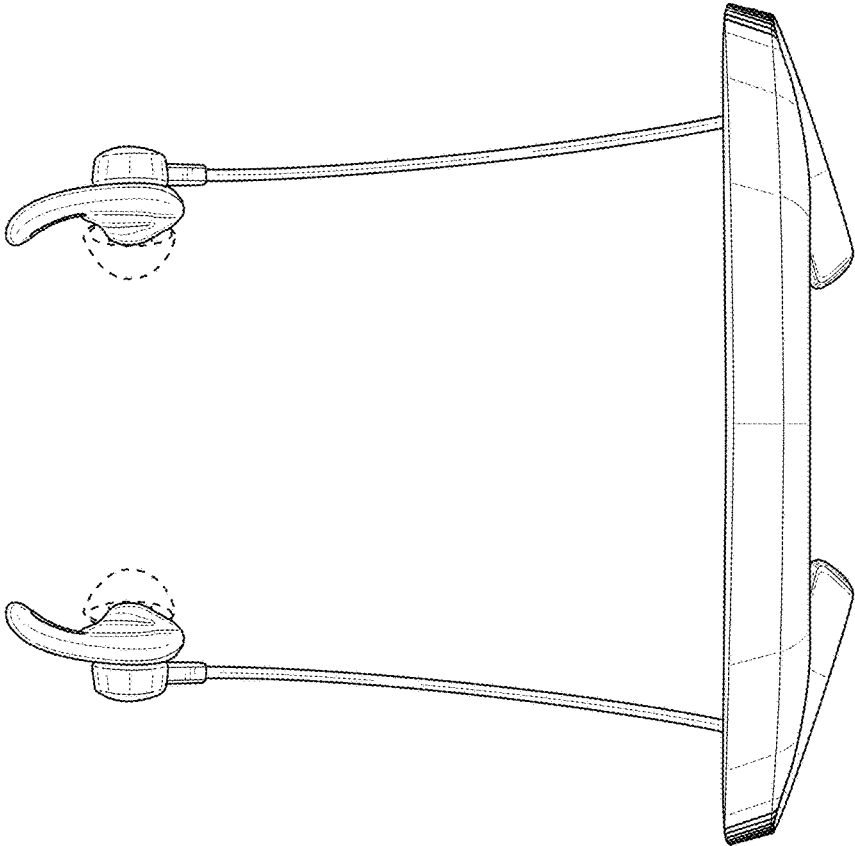
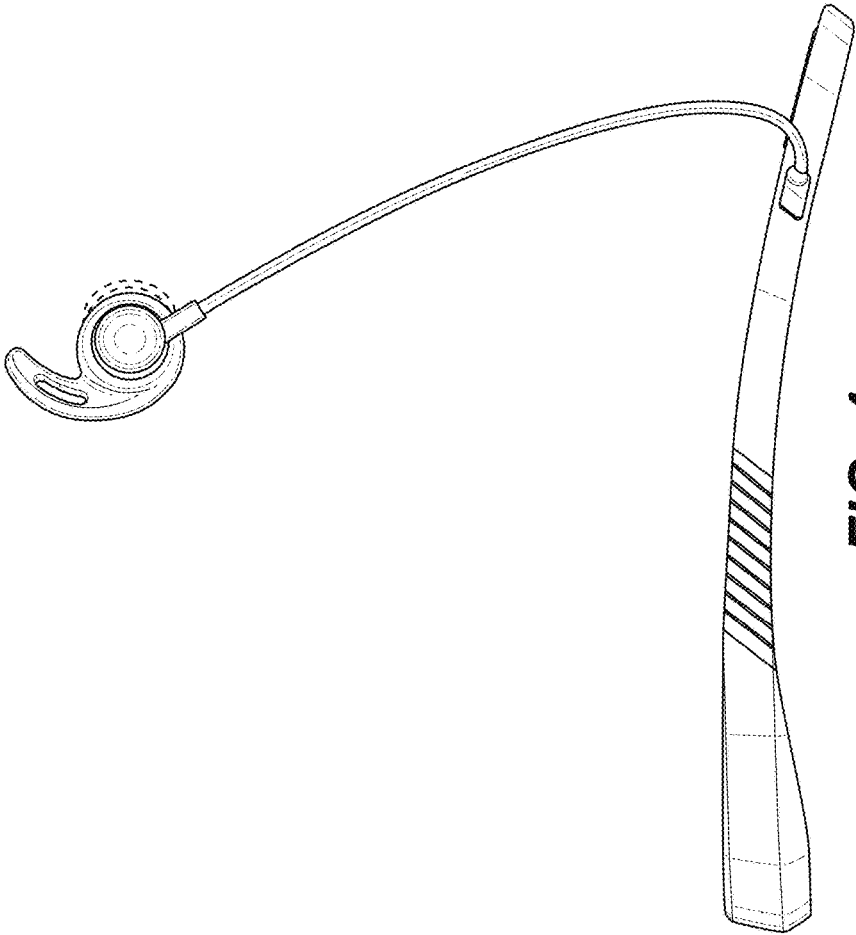


FIG. 3



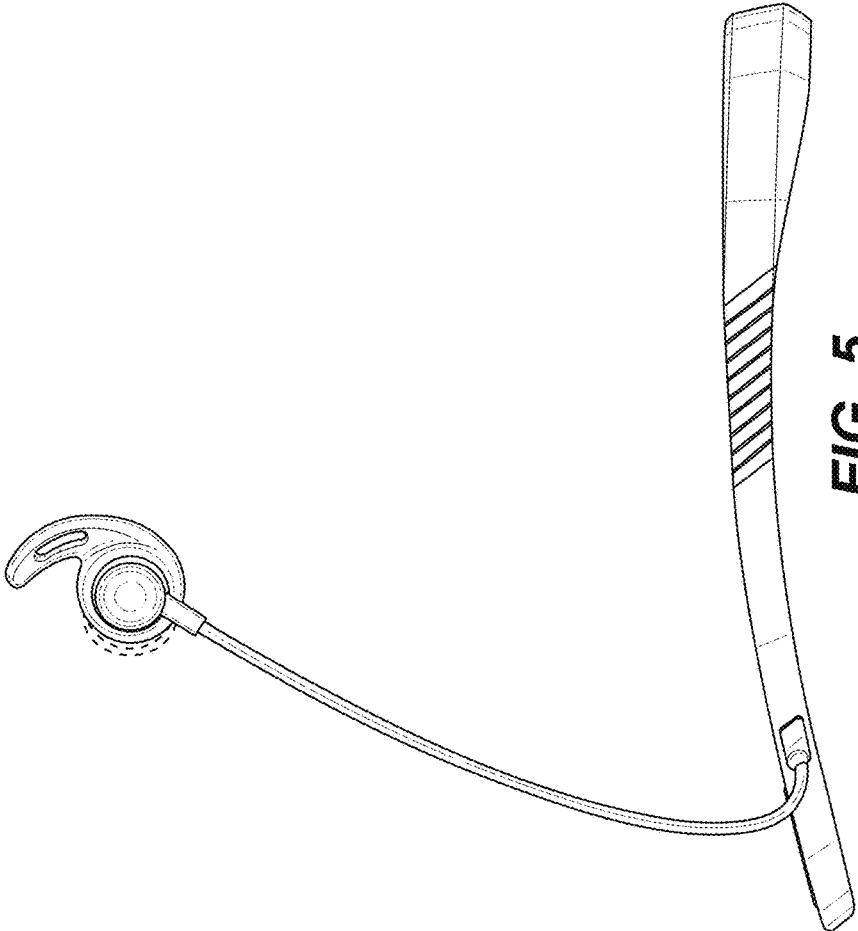


FIG. 5

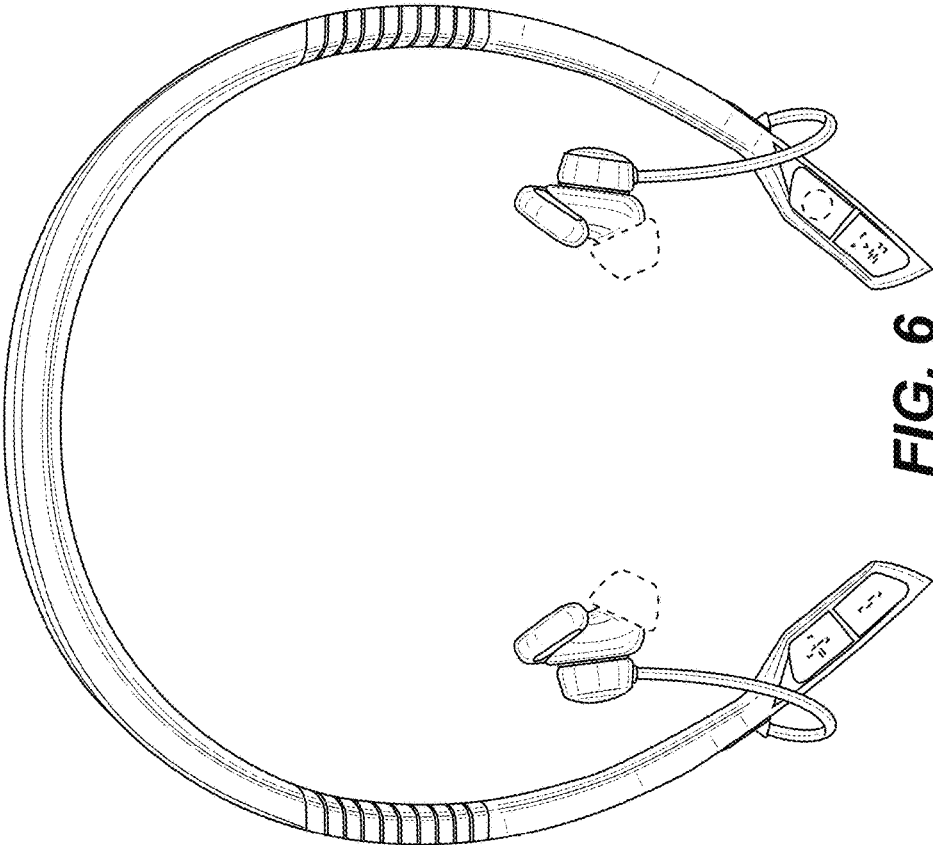


FIG. 6

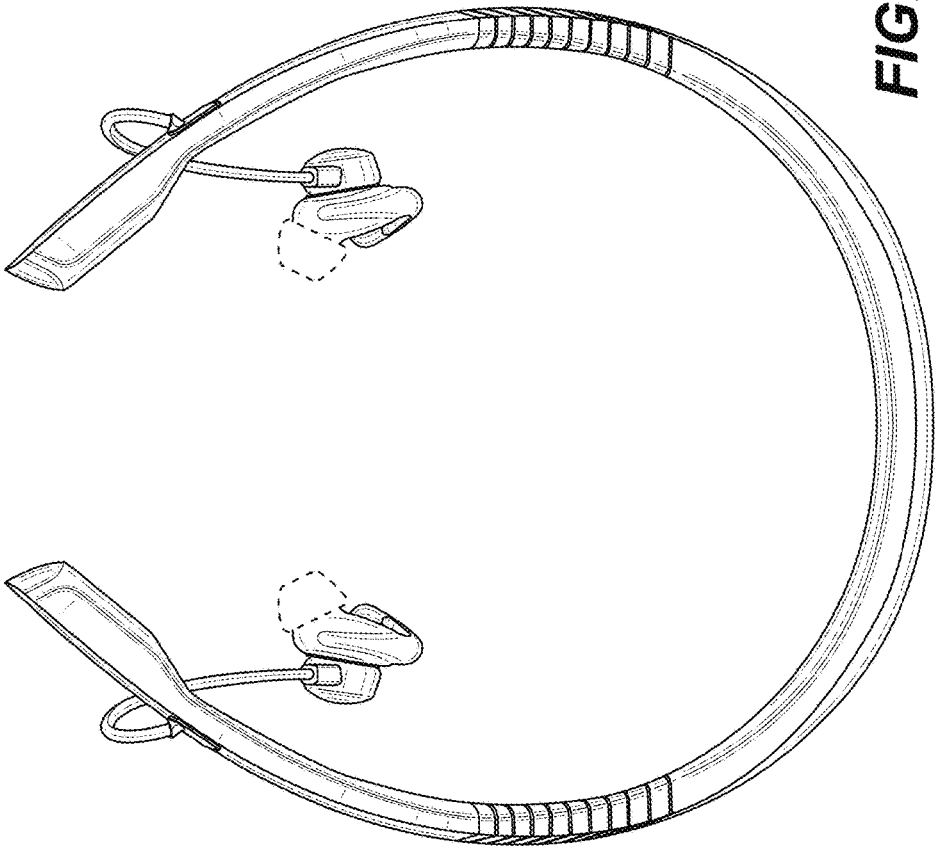


FIG. 7