



US00D929888S

(12) **United States Design Patent**  
**Morin**

(10) **Patent No.:** **US D929,888 S**

(45) **Date of Patent:** **\*\* Sep. 7, 2021**

- (54) **ARTICLE OF JEWELRY**
- (71) Applicant: **CARTIER INTERNATIONAL AG,**  
Steinhausen (CH)
- (72) Inventor: **Flora Morin,** Conflans Sainte Honorine  
(FR)
- (73) Assignee: **CARTIER INTERNATIONAL AG,**  
Steinhausen (CH)
- (\*\*) Term: **15 Years**
- (21) Appl. No.: **29/766,829**
- (22) Filed: **Jan. 19, 2021**

1,841,375	A	*	1/1932	Meyer	.....	A44C 5/0092
						D11/4
D109,704	S	*	5/1938	Dinhofer	.....	D11/34
D120,368	S	*	5/1940	Welling	.....	D11/2
D157,634	S	*	3/1950	Schaeffer	.....	D11/34
D162,110	S	*	2/1951	Armbrust	.....	D11/15
D178,440	S	*	7/1956	Welebyny	.....	D11/4
D181,920	S	*	1/1958	Armbrust	.....	D11/12
D358,562	S	*	5/1995	Bulgari	.....	D11/3
D359,926	S	*	7/1995	Plummer	.....	D11/4
D365,038	S	*	12/1995	Merritt	.....	D11/26
D505,633	S	*	5/2005	Hardy	.....	D11/26
D516,450	S	*	3/2006	Carnegie	.....	D11/6
D581,306	S	*	11/2008	So	.....	D11/13
D581,307	S	*	11/2008	So	.....	D11/13
D584,983	S	*	1/2009	So	.....	D11/13
D719,049	S	*	12/2014	Wempe	.....	D11/34
D729,683	S	*	5/2015	Wempe	.....	D11/26
D729,684	S	*	5/2015	Wempe	.....	D11/34
D732,995	S	*	6/2015	Wempe	.....	D11/34
D734,685	S	*	7/2015	Barresi	.....	D11/3

(Continued)

**Related U.S. Application Data**

- (62) Division of application No. 29/684,856, filed on Mar. 25, 2019, now Pat. No. Des. 909,232.

**Foreign Application Priority Data**

- Sep. 28, 2018 (WO) ..... WIPO75912

(51) **LOC (13) Cl.** ..... **11-01**

(52) **U.S. Cl.**  
USPC ..... **D11/26**

(58) **Field of Classification Search**  
 USPC ..... D11/1-17, 26, 28, 34, 37, 38, 39, 40  
 CPC ..... A44C 9/00  
 See application file for complete search history.

**References Cited**

**U.S. PATENT DOCUMENTS**

- 430,295 A \* 6/1890 Mathewson ..... A44C 11/002  
D11/11
- 431,804 A \* 7/1890 Edge ..... A44C 11/00  
D11/17
- D68,149 S \* 9/1925 Lindeberg ..... D11/34
- D78,900 S \* 7/1929 Saccoccia ..... D11/17

*Primary Examiner* — Llorellys Martinez

(74) *Attorney, Agent, or Firm* — Oliff PLC

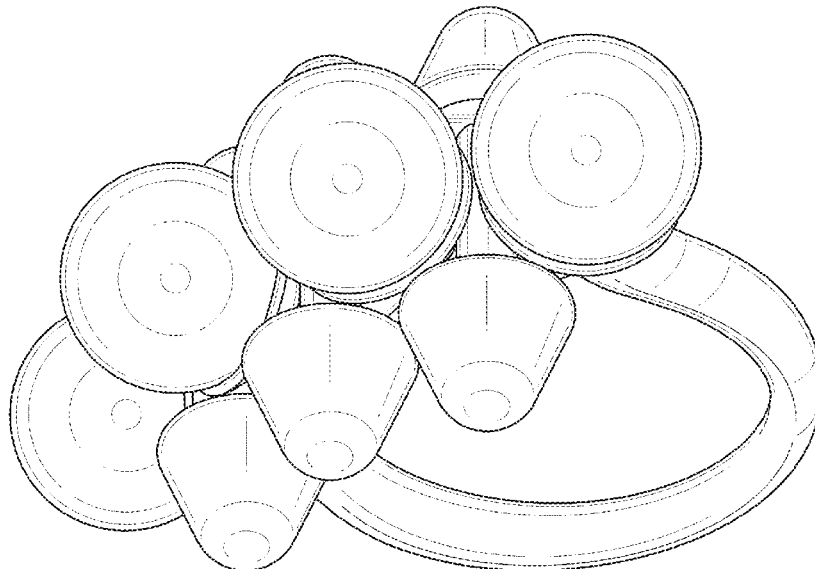
(57) **CLAIM**

The ornamental design for an article of jewelry, as shown and described.

**DESCRIPTION**

FIG. 1 is a front elevational view of an article of jewelry, showing the new design;  
 FIG. 2 is a rear elevational view thereof;  
 FIG. 3 is a top plan view thereof;  
 FIG. 4 is a bottom plan view thereof;  
 FIG. 5 is a left-side elevational view thereof;  
 FIG. 6 is a right-side elevational view thereof; and,  
 FIG. 7 is a front perspective view thereof.  
 The broken lines in the drawings illustrate portions of the article of jewelry that form no part of the claimed design.

**1 Claim, 7 Drawing Sheets**



(56)

**References Cited**

U.S. PATENT DOCUMENTS

D791,635	S	*	7/2017	Hardy	.....	D11/3
D820,715	S	*	6/2018	Le Bail	.....	D11/34
D824,274	S	*	7/2018	Trafton	.....	D11/3
D825,369	S	*	8/2018	Izen	.....	D11/3
D909,232	S	*	2/2021	Morin	.....	D11/16
D912,564	S	*	3/2021	Morin	.....	D11/6
D913,143	S	*	3/2021	Yamada	.....	D11/26
D913,144	S	*	3/2021	Yamada	.....	D11/40
D921,517	S	*	6/2021	Morin	.....	D11/26

\* cited by examiner

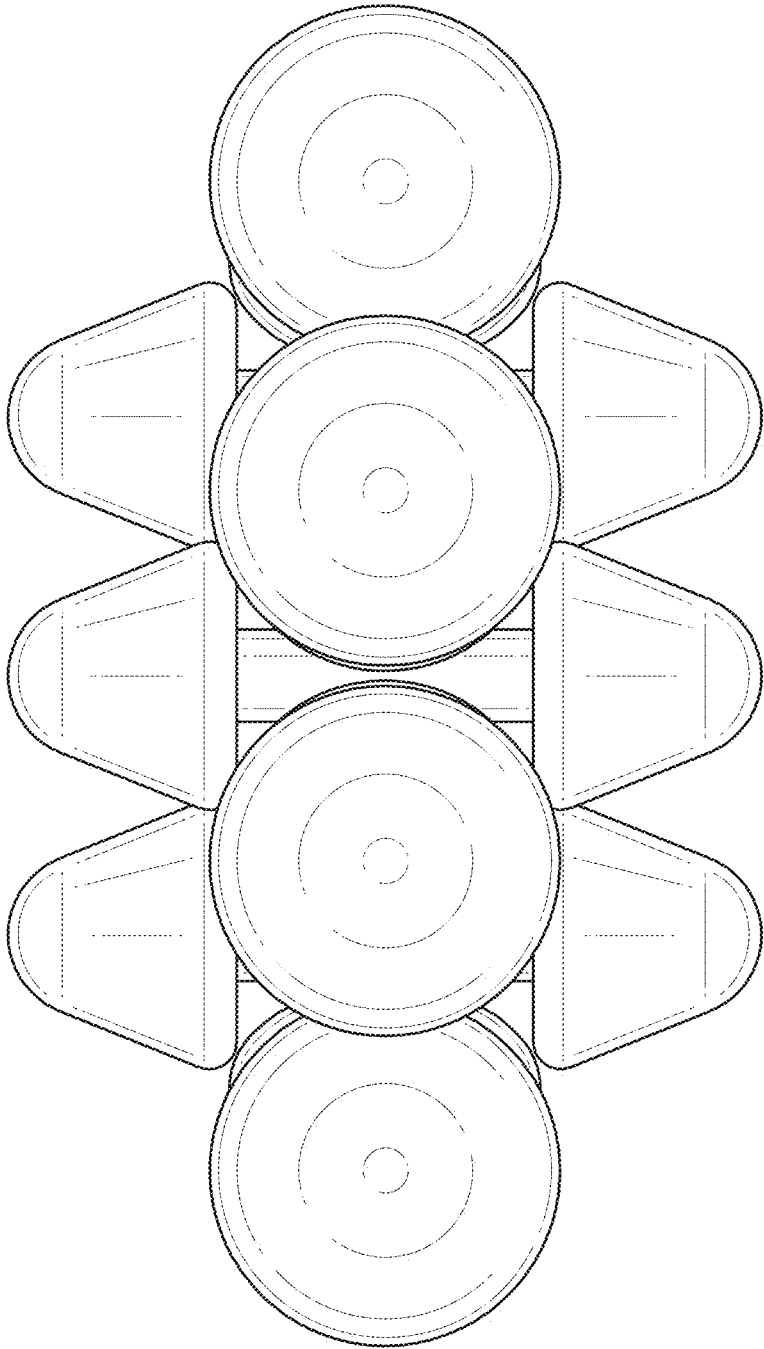


FIG. 1

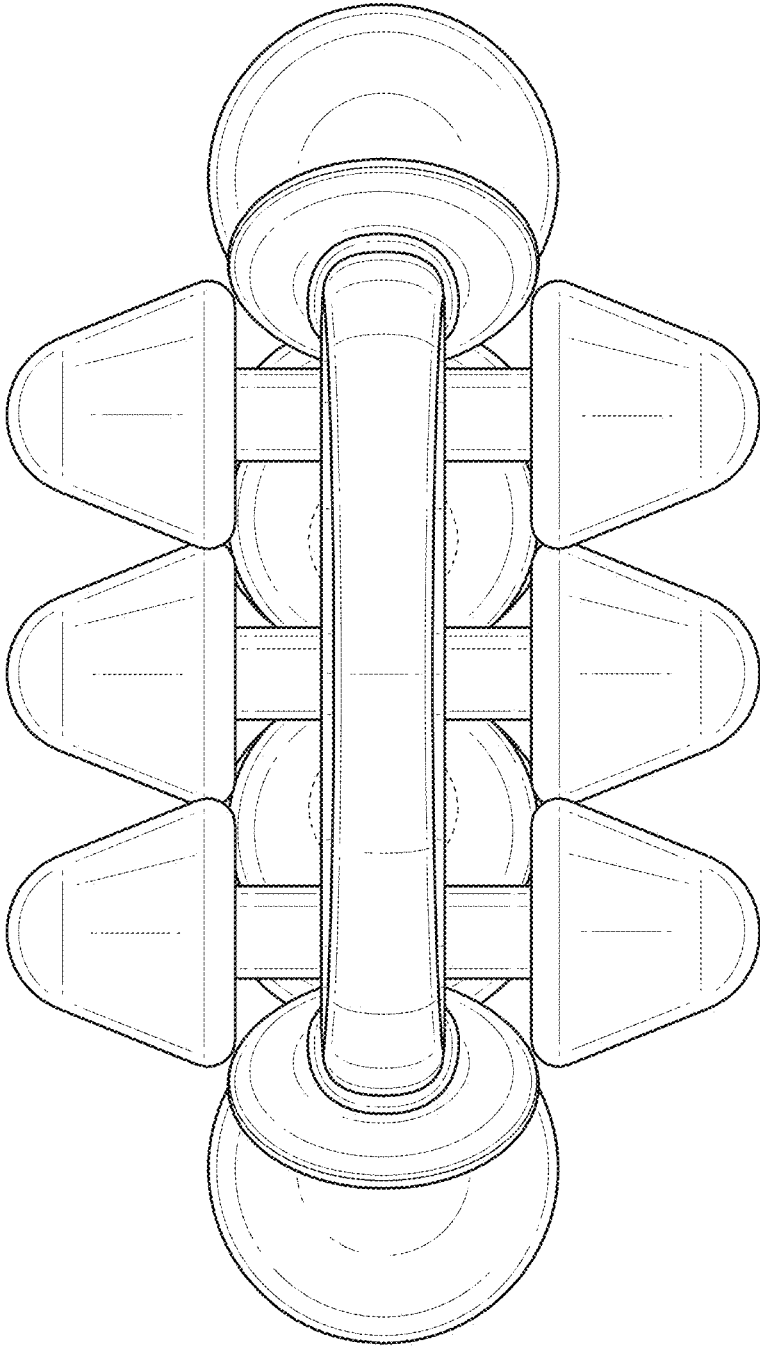


FIG. 2

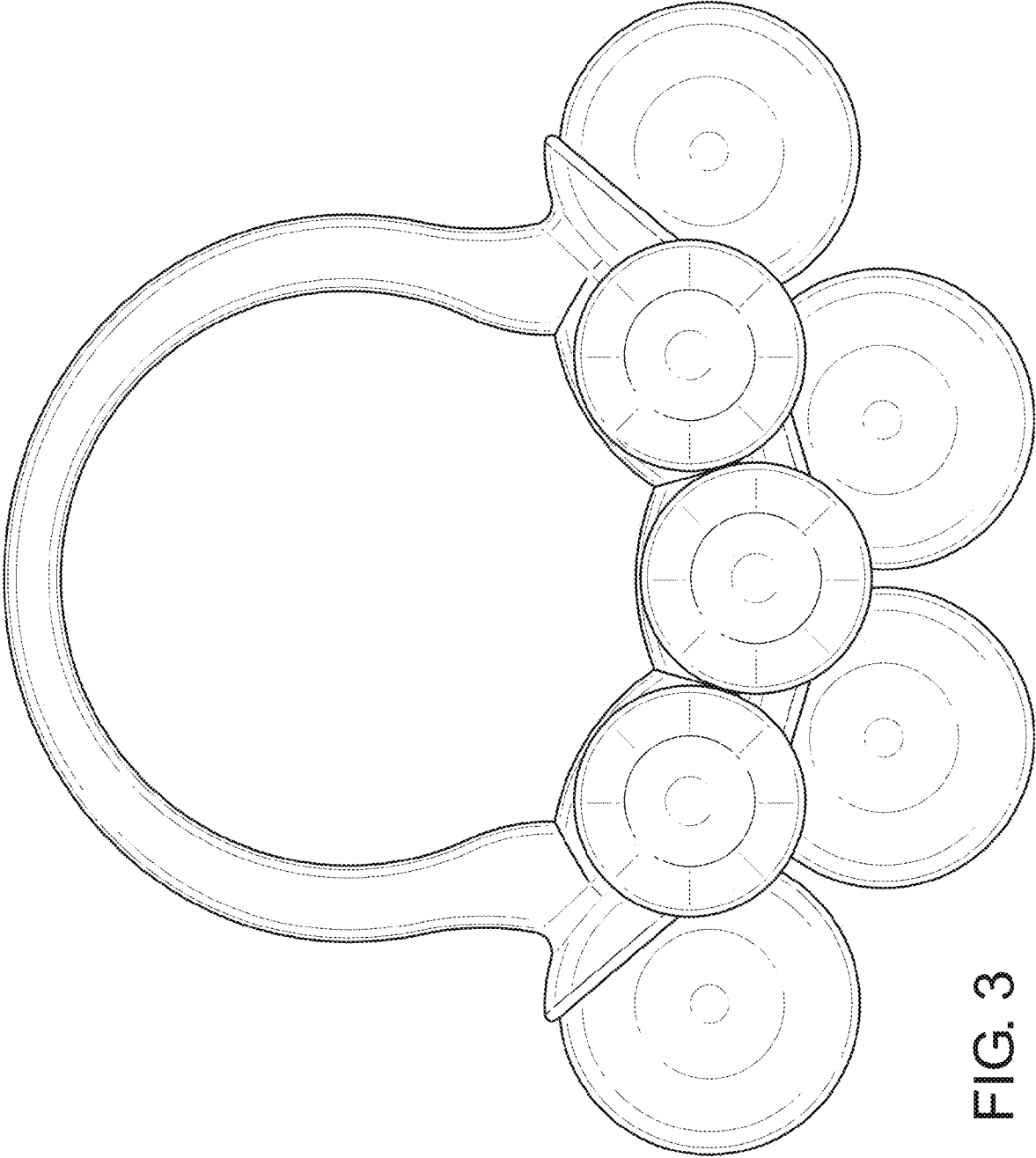


FIG. 3

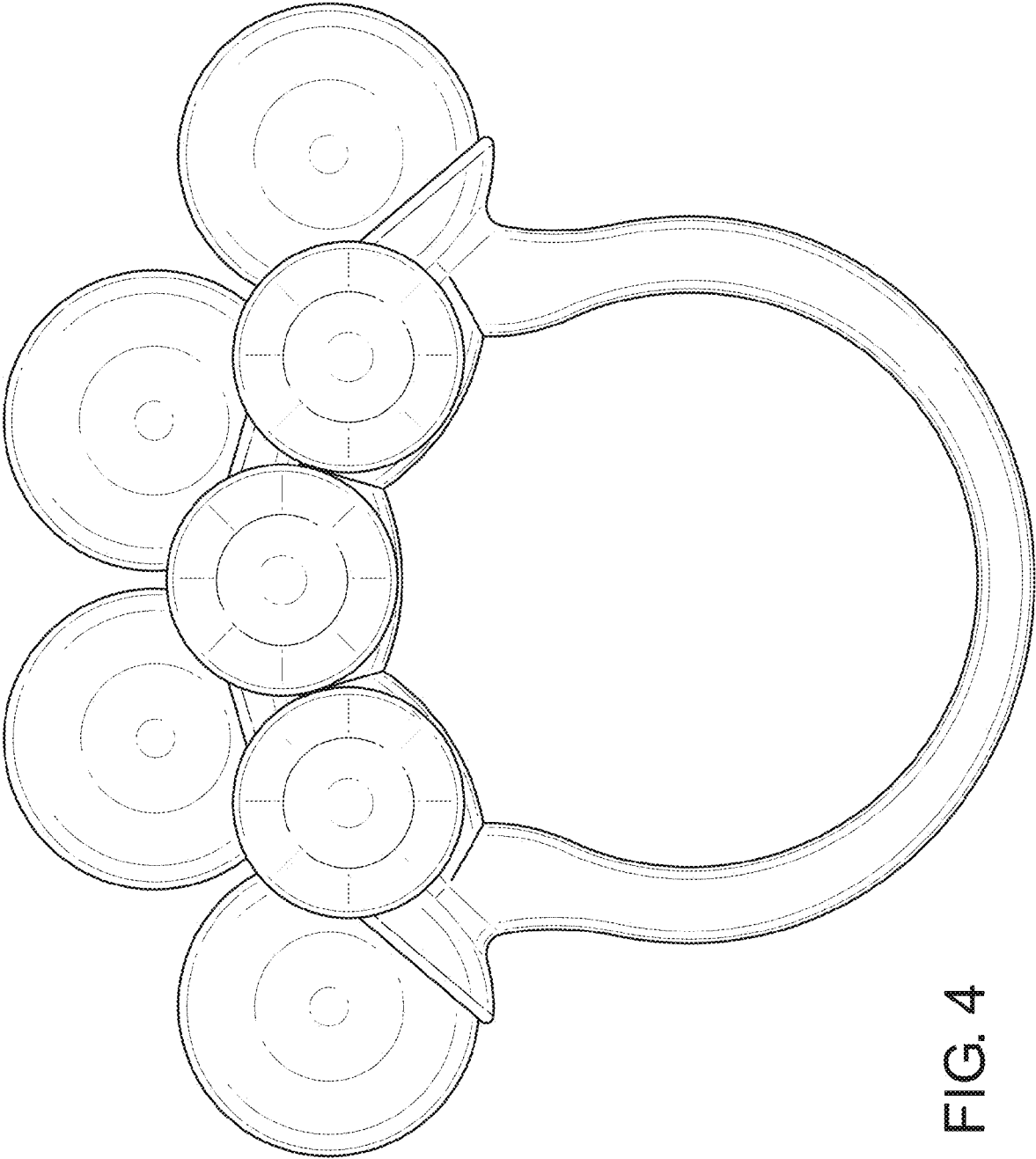


FIG. 4

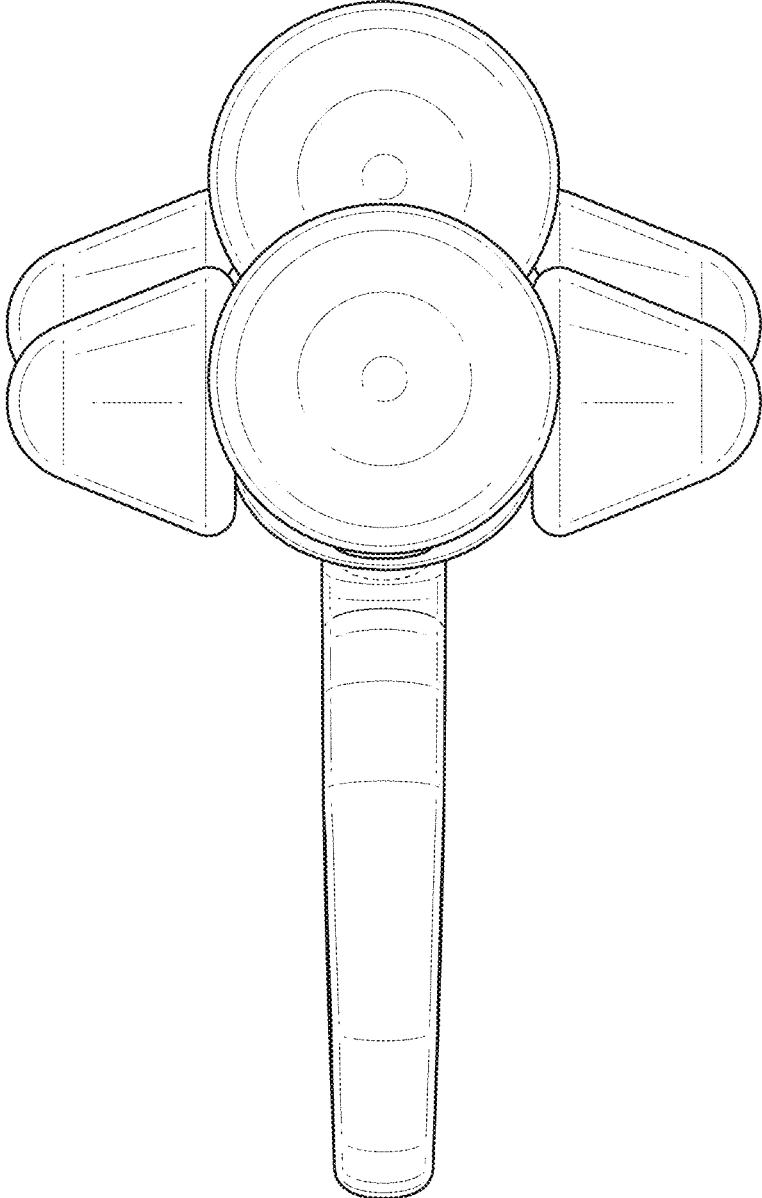


FIG. 5

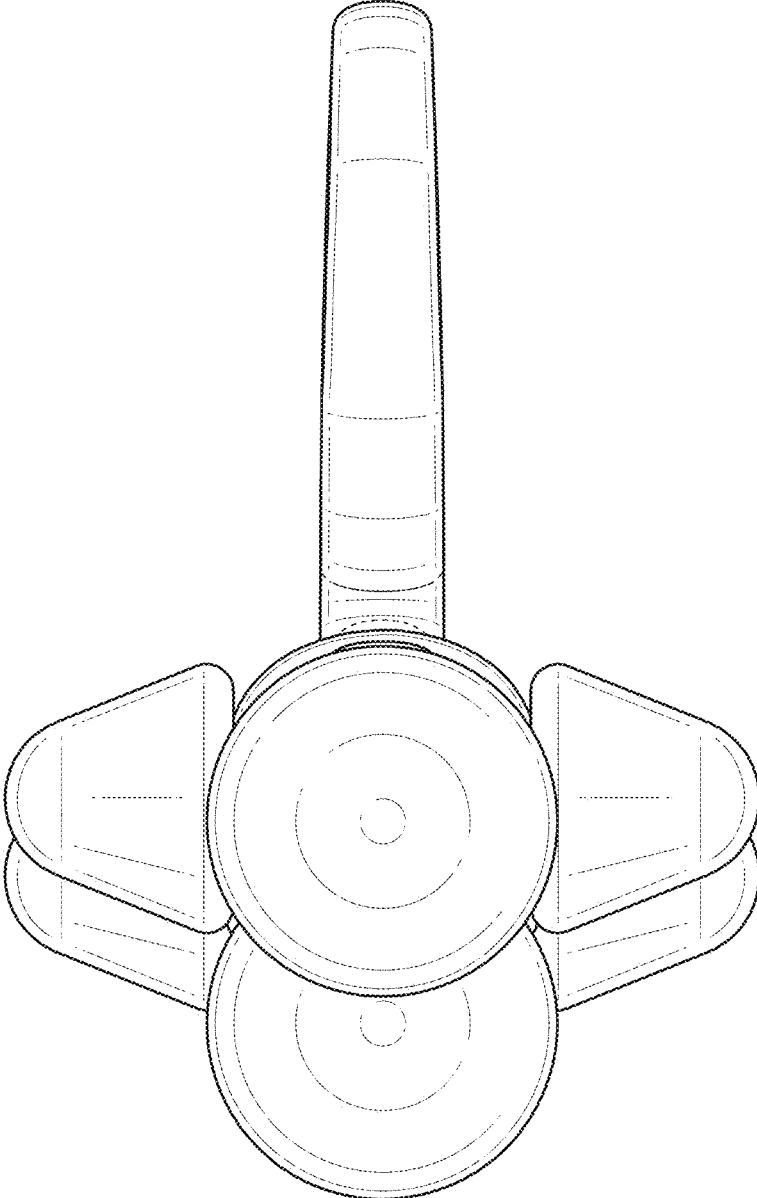


FIG. 6



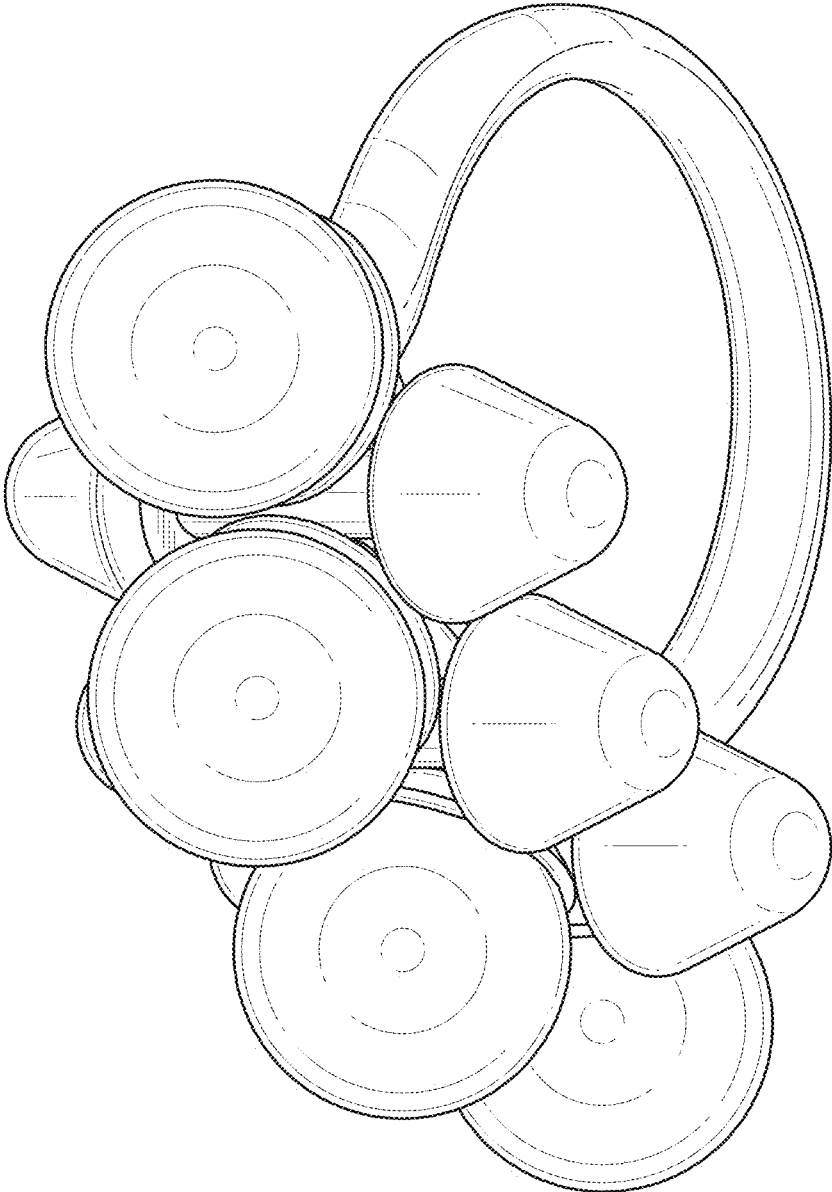


FIG. 7