



US00D665262S

(12) **United States Design Patent**
Regas

(10) **Patent No.:** **US D665,262 S**

(45) **Date of Patent:** **** Aug. 14, 2012**

(54) **BEVERAGE CONTAINER**

(76) Inventor: **John P. Regas**, Laguna Niguel, CA (US)

(**) Term: **14 Years**

(21) Appl. No.: **29/402,175**

(22) Filed: **Sep. 21, 2011**

Related U.S. Application Data

(63) Continuation of application No. 29/303,771, filed on Feb. 15, 2008, now Pat. No. Des. 647,803.

(51) **LOC (9) Cl.** **09-01**

(52) **U.S. Cl.** **D9/516**

(58) **Field of Classification Search** D9/516,
D9/520, 544, 546, 560, 563, 566, 572, 573,
D9/574; 215/381-385; 220/600, 608, 660,
220/669, 675

See application file for complete search history.

(56) **References Cited**

U.S. PATENT DOCUMENTS

1,611,443	A	*	12/1926	Hothersall	222/542
D83,658	S	*	3/1931	Becker	D9/546
4,949,861	A	*	8/1990	Cochran	215/42
5,544,768	A	*	8/1996	Gargione	215/209
D595,141	S	*	6/2009	Rica	D9/544
D601,024	S	*	9/2009	Rica	D9/516

D603,716	S	*	11/2009	Rica	D9/560
D603,717	S	*	11/2009	Rica	D9/560
D604,174	S	*	11/2009	Rica	D9/560
D604,175	S	*	11/2009	Rica	D9/560
D605,055	S	*	12/2009	Serrano Diaz	D9/560
D606,884	S	*	12/2009	Weggelaar	D9/740
D613,177	S	*	4/2010	Lee	D9/560
D614,958	S	*	5/2010	Smith et al.	D9/516
D628,896	S	*	12/2010	Smith et al.	D9/542

* cited by examiner

Primary Examiner — Elizabeth J Oswecki

(74) *Attorney, Agent, or Firm* — Kent M. Walker, Esq.

(57) **CLAIM**

The ornamental design for a beverage container, as shown and described.

DESCRIPTION

FIG. 1 is an upper perspective view of my beverage container, showing my new design;

FIG. 2 is a front elevational view of the design of FIG. 1;

FIG. 3 is a rear elevational view of the design of FIG. 1;

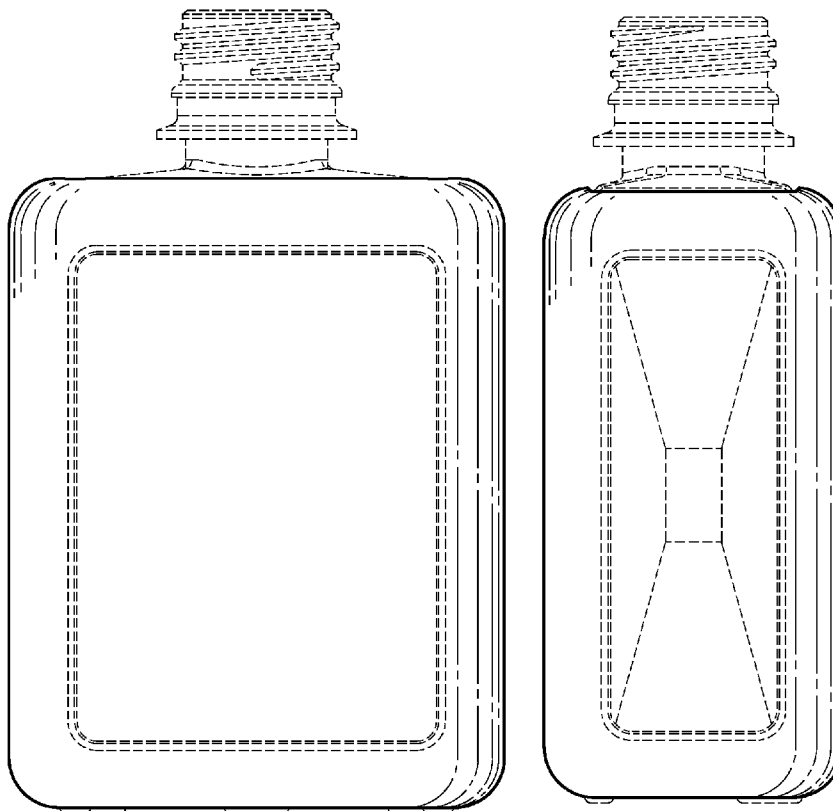
FIG. 4 is a left side elevational view of the design of FIG. 1, the right side elevational view being a mirror image thereof;

FIG. 5 is a top elevational view of the design of FIG. 1; and,

FIG. 6 is a bottom elevational view of the design of FIG. 1.

In the drawings, the broken lines in FIGS. 1-6 depict portions of the design that form no part of the claim.

1 Claim, 5 Drawing Sheets



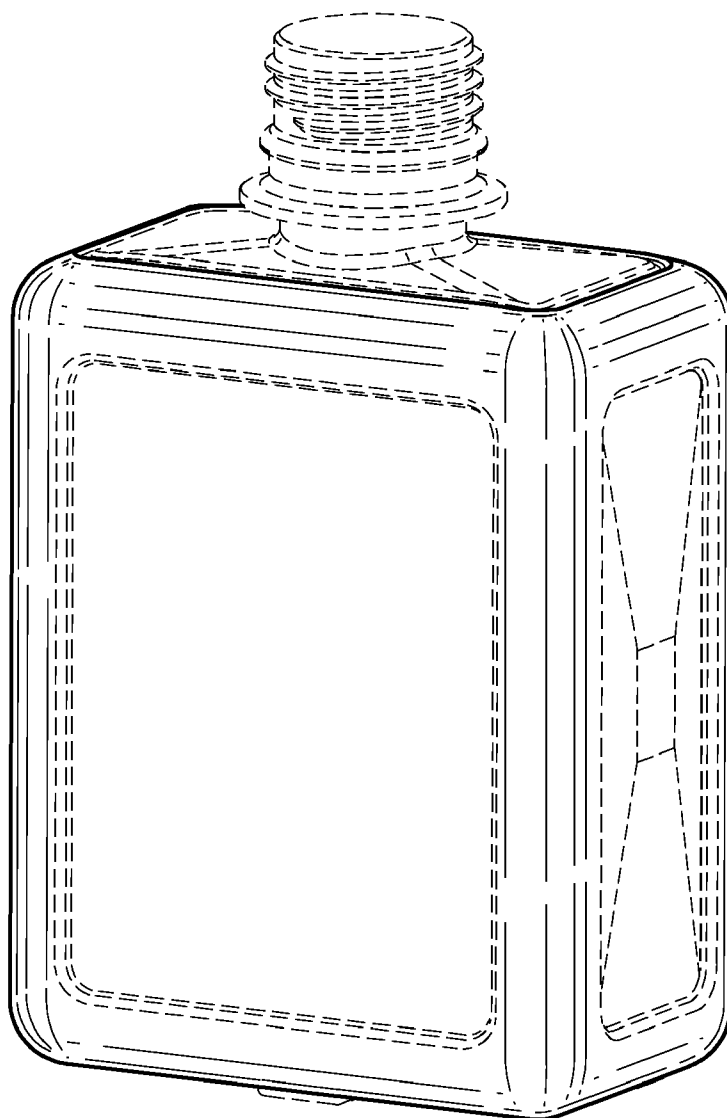


FIG. 1

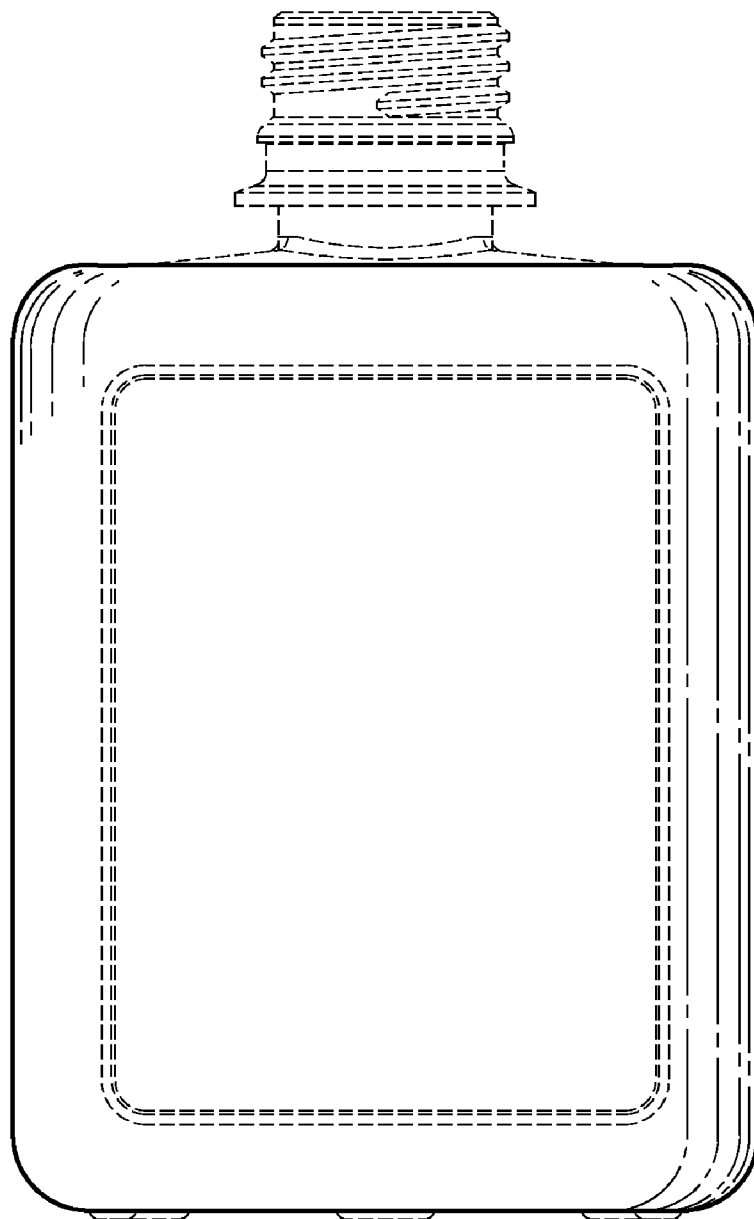


FIG. 2

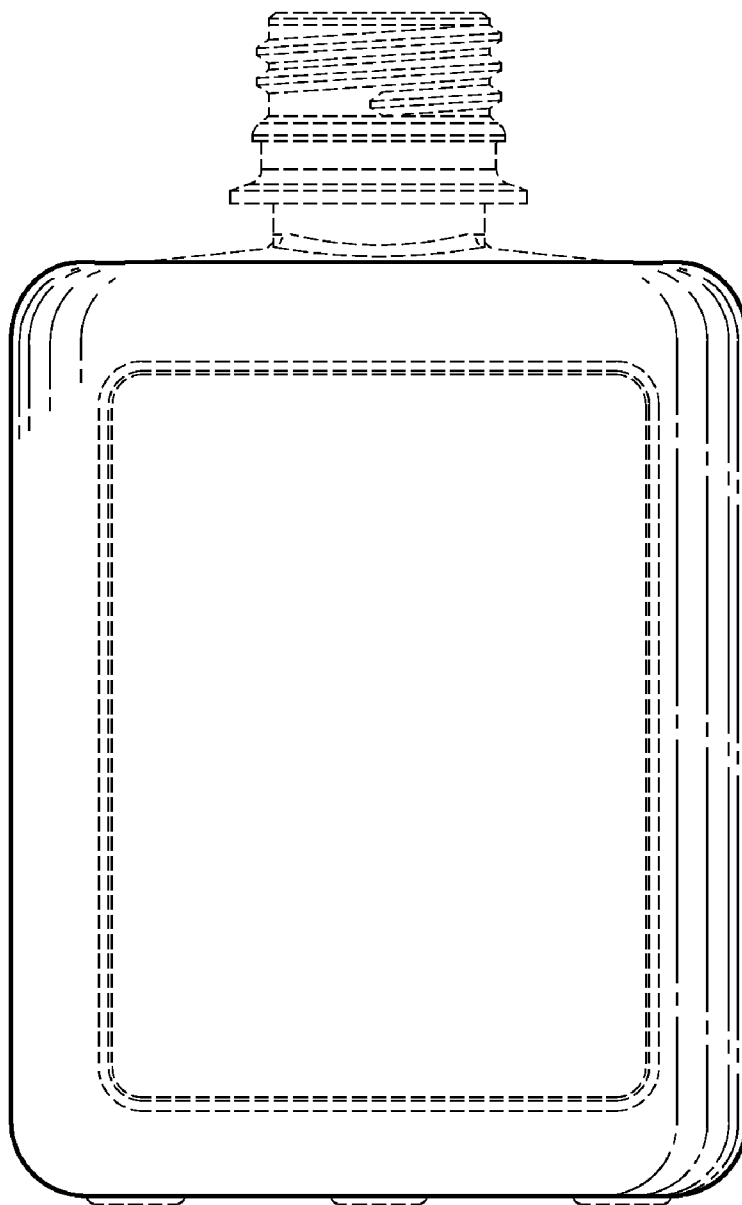


FIG. 3

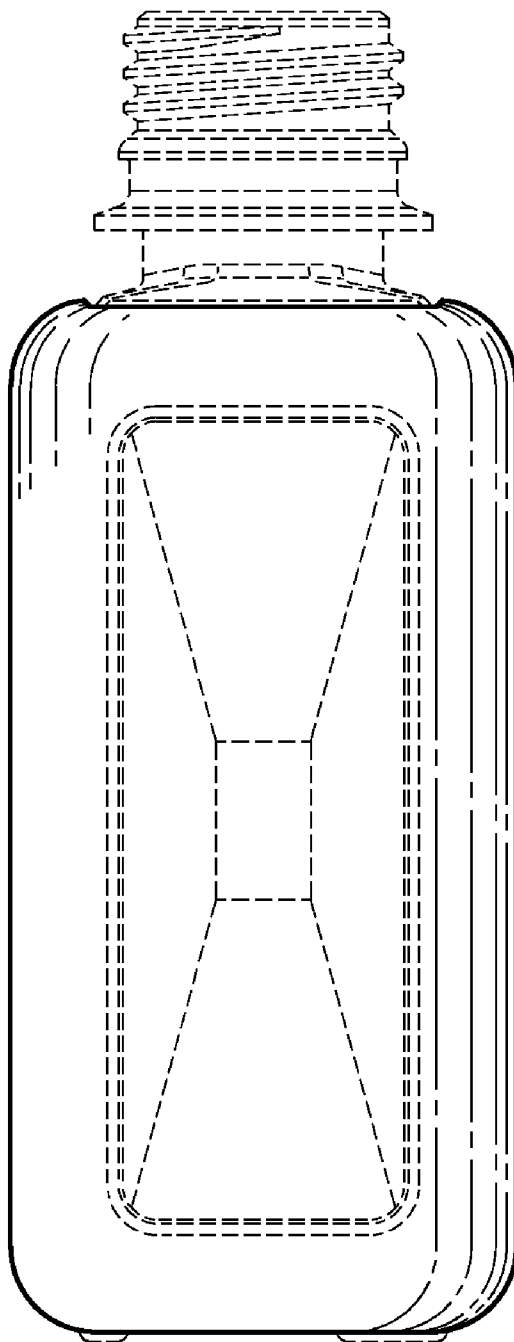


FIG. 4

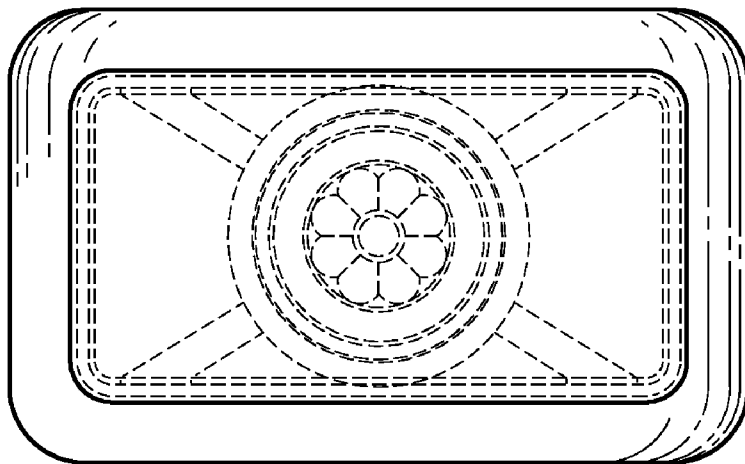


FIG. 5

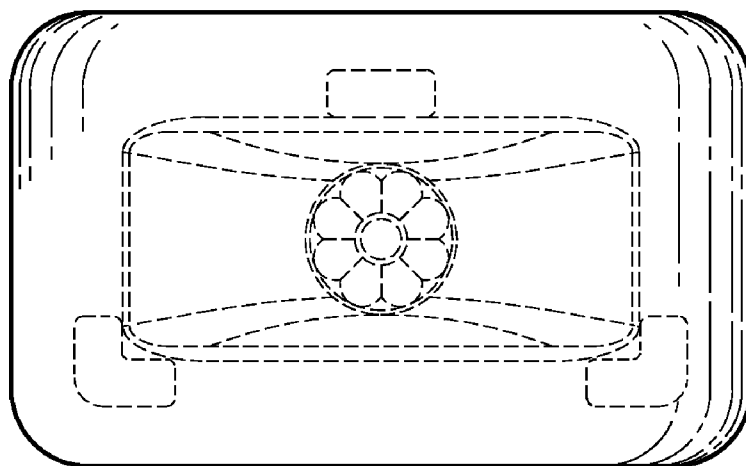


FIG. 6