



(12) **United States Design Patent**  
**Hague et al.**

(10) **Patent No.:** **US D1,040,130 S**  
(45) **Date of Patent:** **\*\* Aug. 27, 2024**

(54) **HEADSET**  
(71) Applicant: **HEWLETT-PACKARD DEVELOPMENT COMPANY, L.P.**,  
Spring, TX (US)  
(72) Inventors: **Kevin Hague**, Fountain Valley, CA  
(US); **Baron Lee**, Fountain Valley, CA  
(US); **Albert Jin**, Fountain Valley, CA  
(US)  
(73) Assignee: **Hewlett-Packard Development Company, L.P.**, Spring, TX (US)

D302,429 S \* 7/1989 Leer ..... D14/206  
5,565,659 A \* 10/1996 Moner, Jr. .... H04R 1/023  
181/150  
D376,598 S \* 12/1996 Hayashi ..... D14/206  
D389,152 S \* 1/1998 Kurihara ..... D14/215  
D395,898 S \* 7/1998 Suzuki ..... D14/219  
5,793,878 A \* 8/1998 Chang ..... H04R 5/0335  
D14/206  
6,081,604 A \* 6/2000 Hikichi ..... H04R 5/0335  
381/124  
6,386,314 B1 \* 5/2002 Sheehan ..... A61B 5/12  
181/129  
D541,255 S 4/2007 Taylor et al.  
(Continued)

(\*\*) Term: **15 Years**

**FOREIGN PATENT DOCUMENTS**

(21) Appl. No.: **29/810,341**

CN 307337589 S 5/2022

(22) Filed: **Oct. 4, 2021**

*Primary Examiner* — Paula Allen Greene

(51) **LOC (14) Cl.** ..... **14-01**

(74) *Attorney, Agent, or Firm* — Quarles & Brady LLP

(52) **U.S. Cl.** ..... **D14/205**

USPC ..... **D14/205**

(58) **Field of Classification Search**

USPC ..... D14/205, 206, 226, 219; D29/112;  
2/209; 381/380–381, 374; D28/41;  
132/273, 275  
CPC ..... H04R 25/00; H04R 25/02; H04R 1/1066;  
H04R 1/1016; H04R 5/033; H04R  
5/0335; H04R 1/1041; H04R 1/1091;  
H04R 1/105; H04R 19/04

See application file for complete search history.

(57) **CLAIM**

The ornamental design for a headset, as shown and described.

(56) **References Cited**

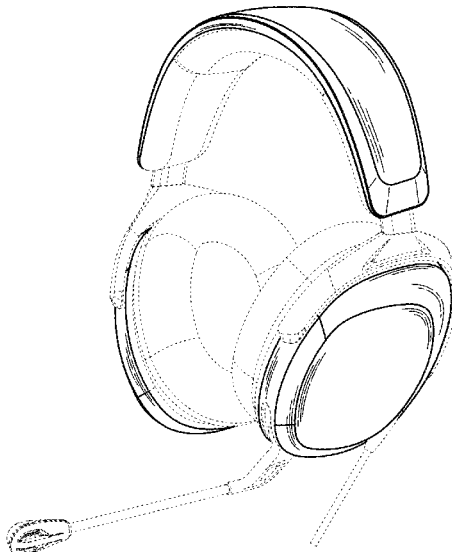
**U.S. PATENT DOCUMENTS**

2,314,782 A \* 3/1943 Goresky ..... A61F 11/06  
D29/112  
2,439,289 A \* 4/1948 Fanslow ..... A61F 11/06  
2/209  
D254,183 S \* 2/1980 Doodson ..... D14/205  
4,832,150 A \* 5/1989 Just ..... H04R 1/023  
181/150

**DESCRIPTION**

FIG. 1 is a front, left, top side perspective view of a headset showing the new design;  
FIG. 2 is a front, right, top side perspective view of FIG. 1;  
FIG. 3 is a rear, right, bottom side perspective view of FIG. 1;  
FIG. 4 is a front elevational view of FIG. 1;  
FIG. 5 is a rear elevational view of FIG. 1;  
FIG. 6 is a left side elevational view of FIG. 1;  
FIG. 7 is a right side elevational view of FIG. 1;  
FIG. 8 is a top plan view of FIG. 1; and,  
FIG. 9 is a bottom plan view of FIG. 1.  
The broken lines in the drawings are directed to portions of the depicted headset that form no part of the claimed design.

**1 Claim, 9 Drawing Sheets**



(56)

References Cited

U.S. PATENT DOCUMENTS

D635,958 S *	4/2011	Ando	.....	D14/205	D877,714 S *	3/2020	Dhondt	.....	D14/205
D668,117 S *	10/2012	Shimizu	.....	D25/138	D878,327 S *	3/2020	Dhondt	.....	D14/205
D672,745 S *	12/2012	Abed	.....	D14/205	D886,802 S *	6/2020	Willis	.....	D29/112
D695,263 S *	12/2013	Mogili	.....	D14/205	D890,123 S *	7/2020	Yoshimura	.....	D14/205
D707,200 S *	6/2014	Yang	.....	H04R 1/1066	D899,403 S	10/2020	Zhu	.....	
				D14/205	D900,782 S *	11/2020	Vaclavik	.....	D14/205
8,755,555 B2 *	6/2014	Dougherty	.....	H04R 1/1066	D902,496 S *	11/2020	Bui	.....	D29/112
				381/370	D905,005 S *	12/2020	Liu	.....	D14/205
D732,001 S *	6/2015	Licht	.....	D14/205	D918,171 S *	5/2021	Nakayama	.....	D14/205
D808,359 S *	1/2018	Meyer	.....	D14/206	D920,283 S *	5/2021	Levine	.....	D14/205
D815,614 S *	4/2018	Tzeng	.....	D14/206	D928,114 S *	8/2021	Terazaki	.....	D14/205
10,015,580 B1 *	7/2018	Bruno	.....	H04R 1/1066	D934,198 S *	10/2021	Michaelian	.....	D14/205
D826,894 S *	8/2018	Zhang	.....	D14/205	D937,242 S *	11/2021	Levine	.....	D14/205
D830,334 S *	10/2018	Carr	.....	D14/205	D938,934 S *	12/2021	Tsubone	.....	D14/205
D836,600 S *	12/2018	Lee	.....	D14/206	D944,759 S *	3/2022	Vaclavik	.....	D14/205
D838,687 S *	1/2019	Wu	.....	D14/205	D951,234 S *	5/2022	Akana	.....	D14/219
D840,373 S *	2/2019	Lee	.....	D14/206	D954,019 S *	6/2022	Shyu	.....	D14/205
D840,971 S *	2/2019	Summerson	.....	D14/205	D961,546 S *	8/2022	Zhang	.....	D14/205
D842,270 S *	3/2019	Chen	.....	D14/205	D968,360 S *	11/2022	Omura	.....	D14/205
D845,928 S *	4/2019	Lee	.....	D14/206	D976,228 S *	1/2023	Zheng	.....	D14/205
D847,781 S	5/2019	Chen	.....		D978,112 S *	2/2023	Mackrell	.....	D14/219
D851,839 S *	6/2019	Scanlon	.....	D29/112	D991,904 S *	7/2023	Wagner	.....	D14/205
D857,652 S *	8/2019	Wang	.....	D14/205	2001/0017925 A1 *	8/2001	Ceravolo	.....	H04M 1/05
D857,655 S *	8/2019	Saule	.....	D14/205					381/370
D858,481 S *	9/2019	Saule	.....	D14/205	2009/0003616 A1	1/2009	Kleinschmidt et al.		
D860,163 S *	9/2019	Xia	.....	D14/205	2012/0140973 A1	6/2012	Olodort et al.		
D865,708 S *	11/2019	Lee	.....	D14/206	2016/0277828 A1 *	9/2016	Oh	.....	H04R 1/105
D872,049 S *	1/2020	Saule	.....	D14/205	2017/0019728 A1 *	1/2017	Cochran	.....	H04R 1/1091
D876,388 S *	2/2020	Carr	.....	D14/205	2017/0257695 A1 *	9/2017	Smiechowski	.....	H04R 1/1066
					2018/0054667 A1	2/2018	Yamkovoy		
					2019/0037300 A1 *	1/2019	Wang	.....	H04R 1/1066
					2021/0051390 A1 *	2/2021	He	.....	H04R 1/1066

\* cited by examiner

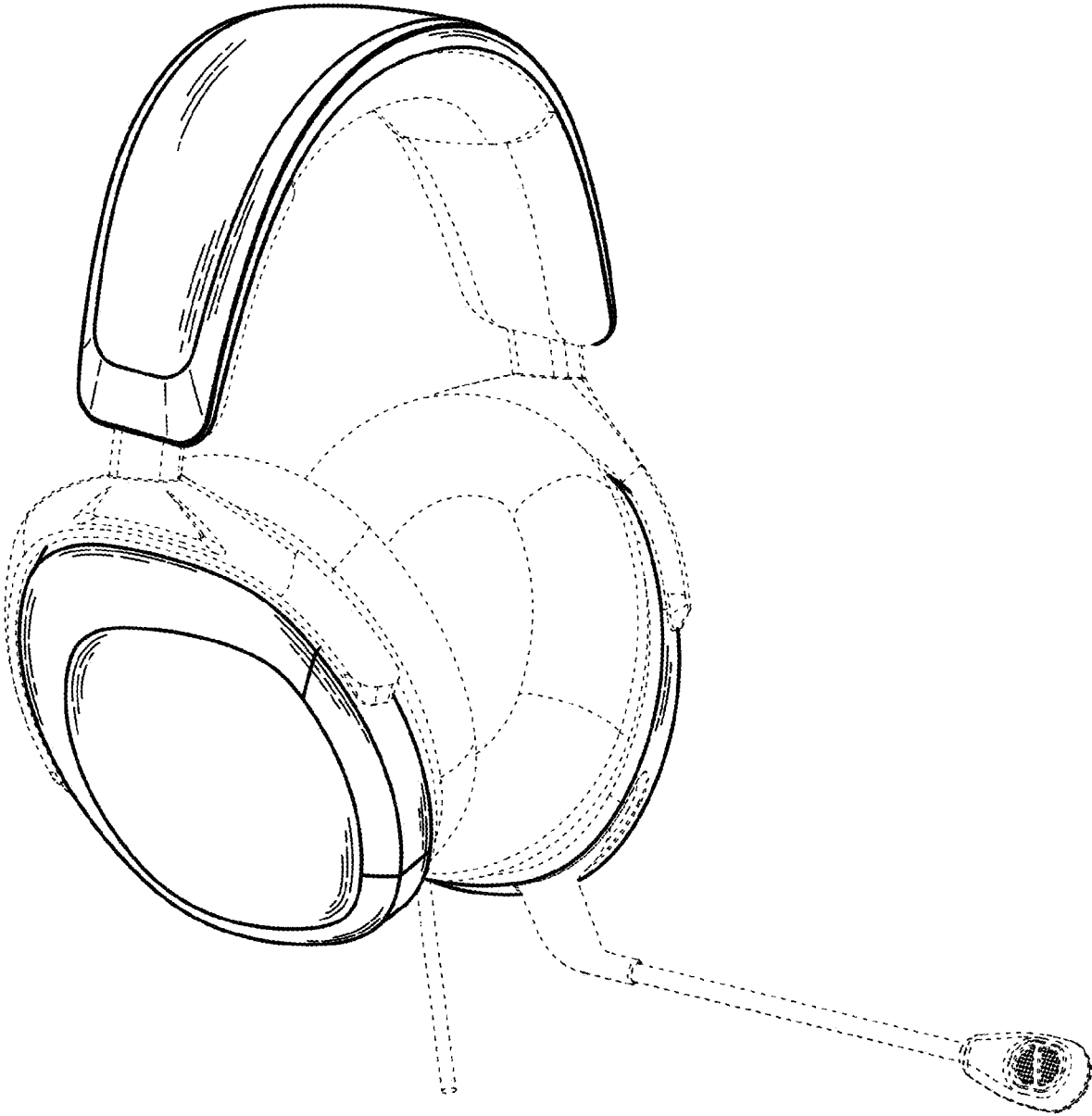


FIG. 1

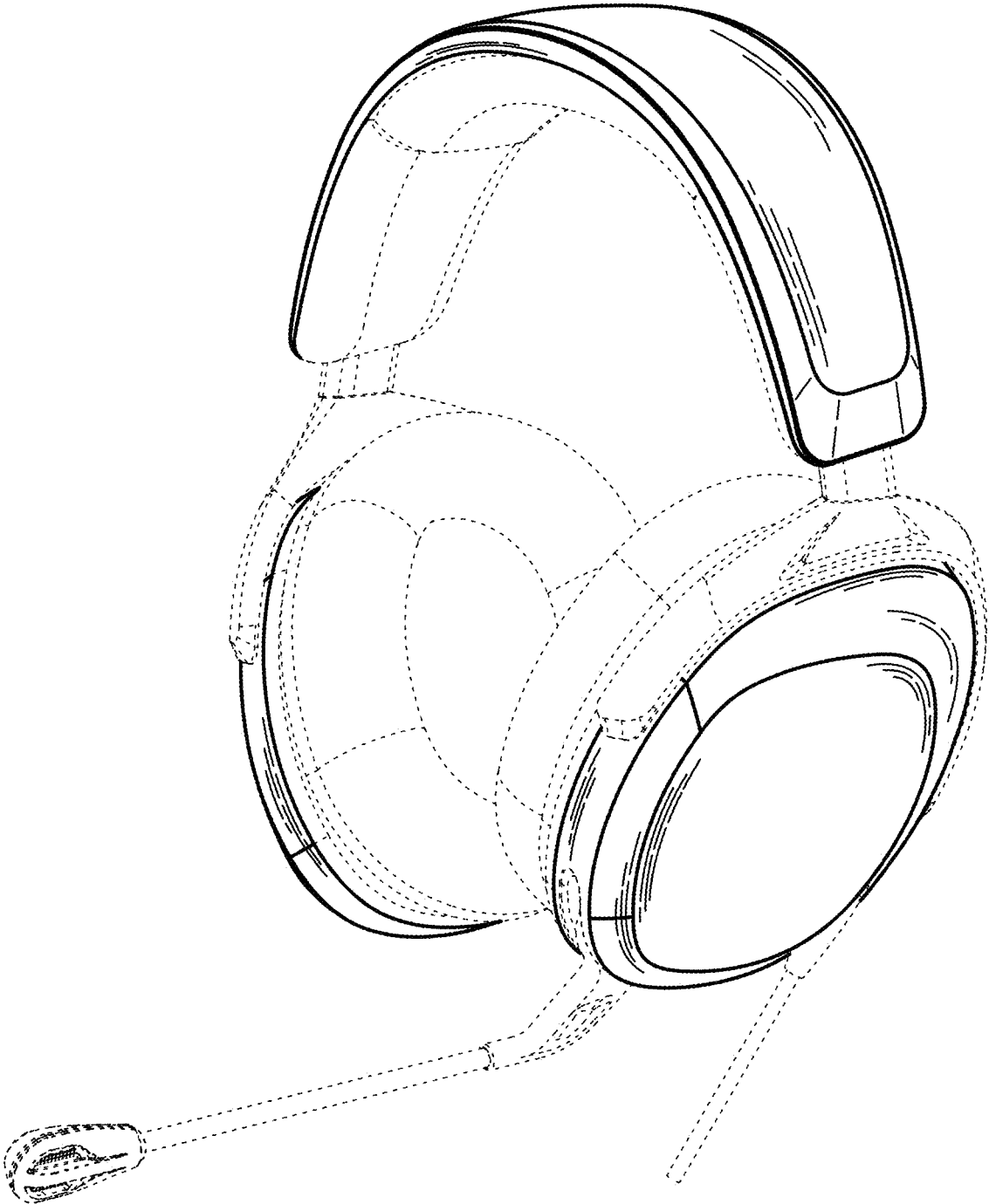


FIG. 2

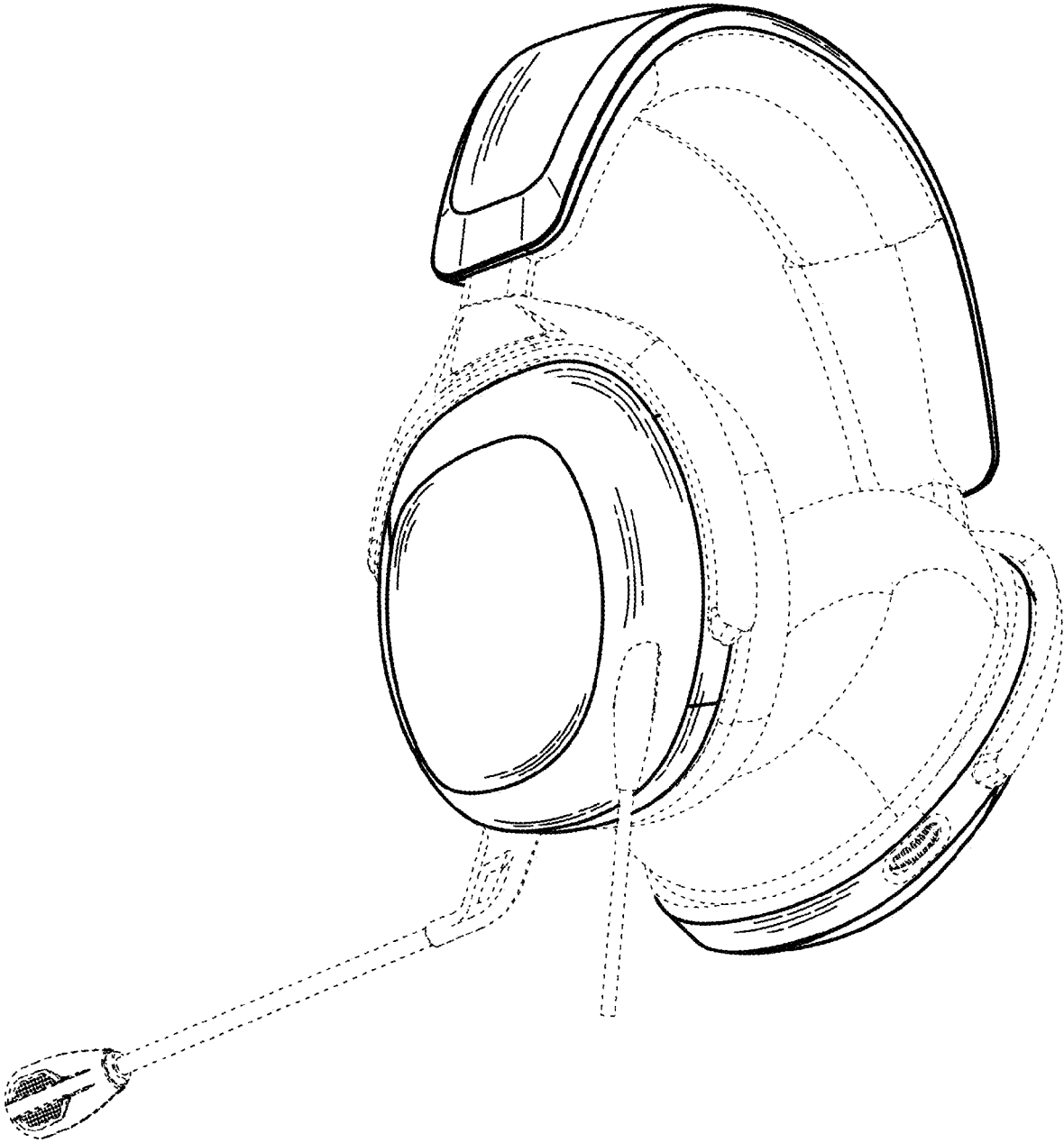


FIG. 3

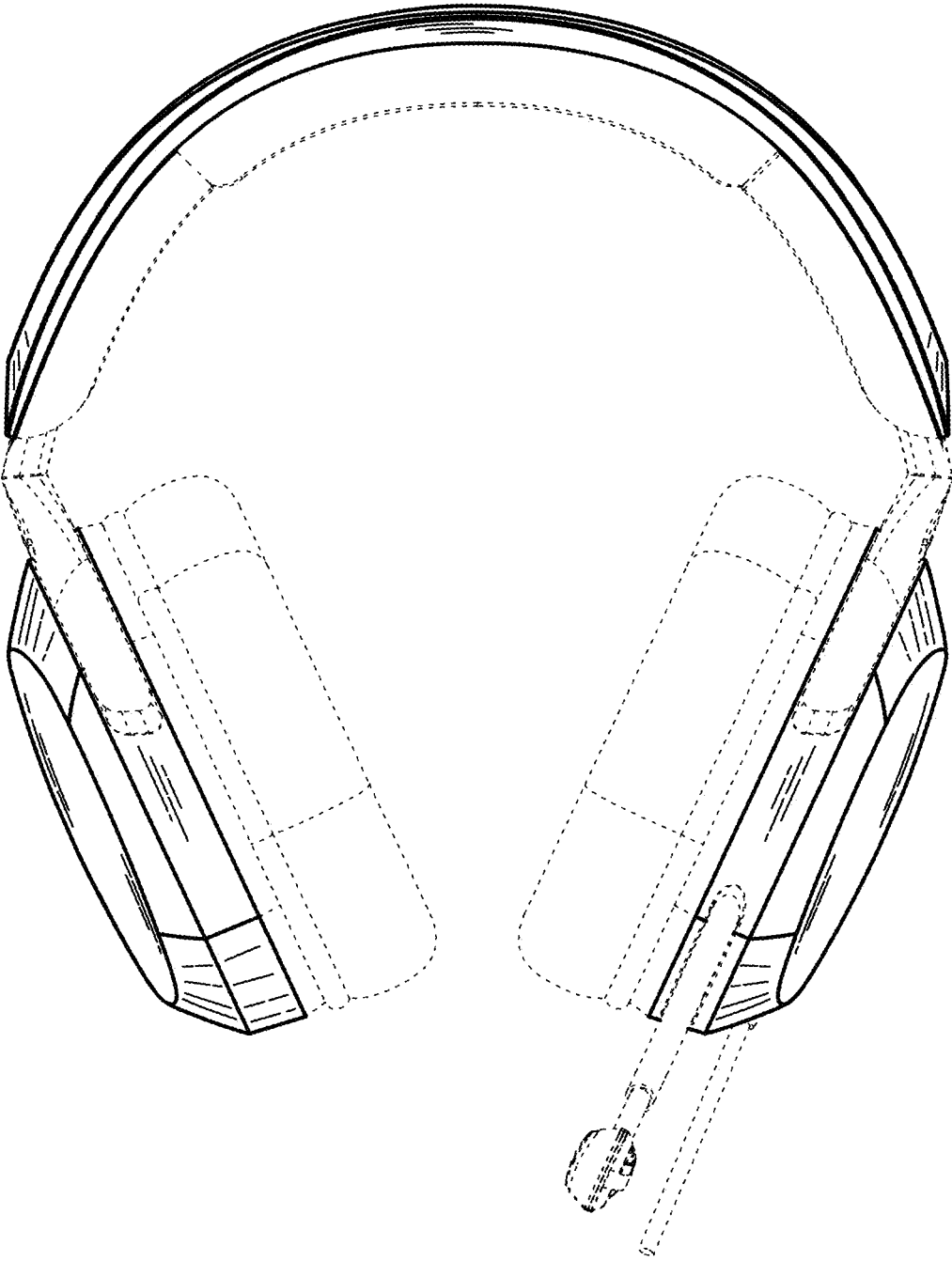


FIG. 4

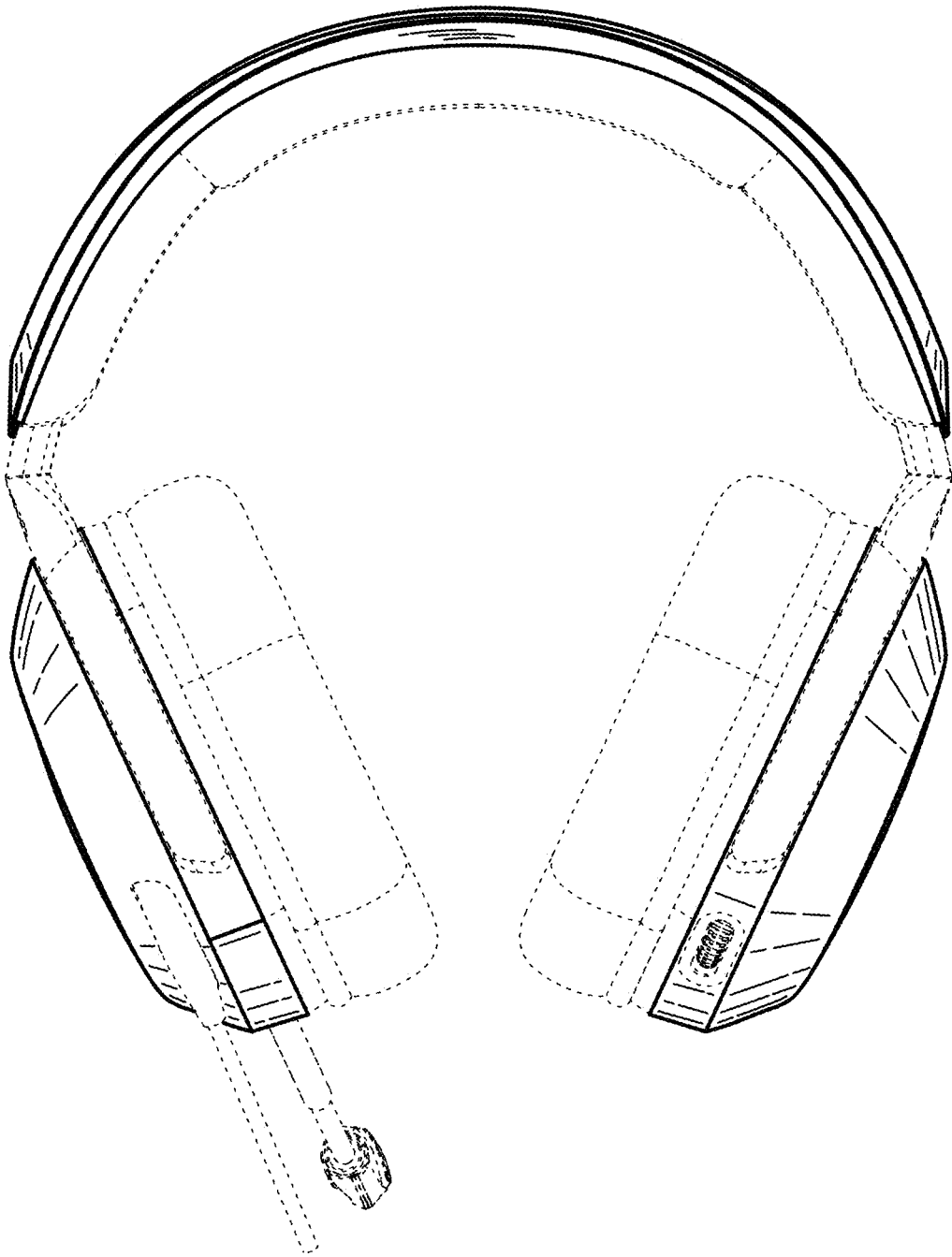


FIG. 5

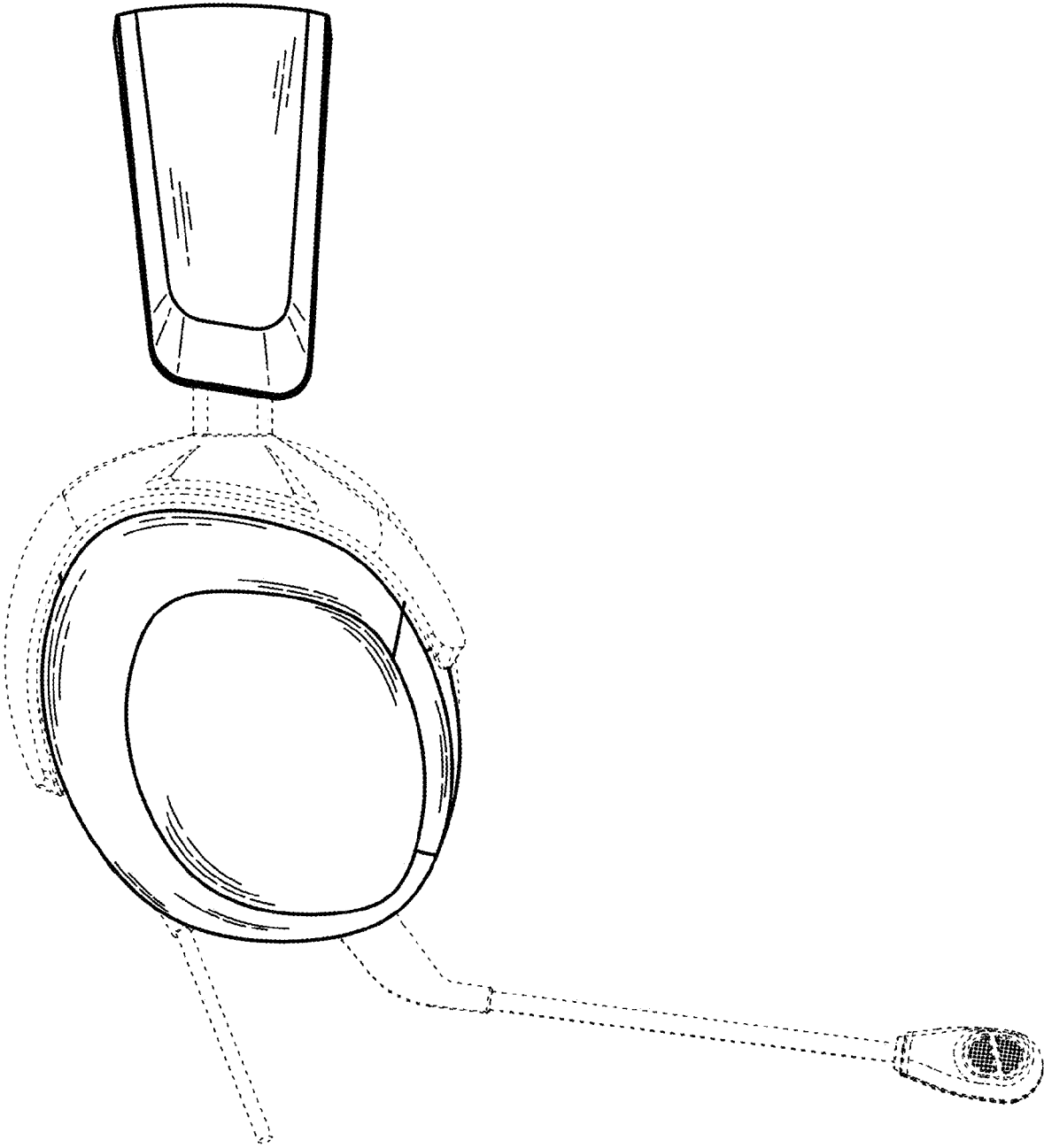


FIG. 6



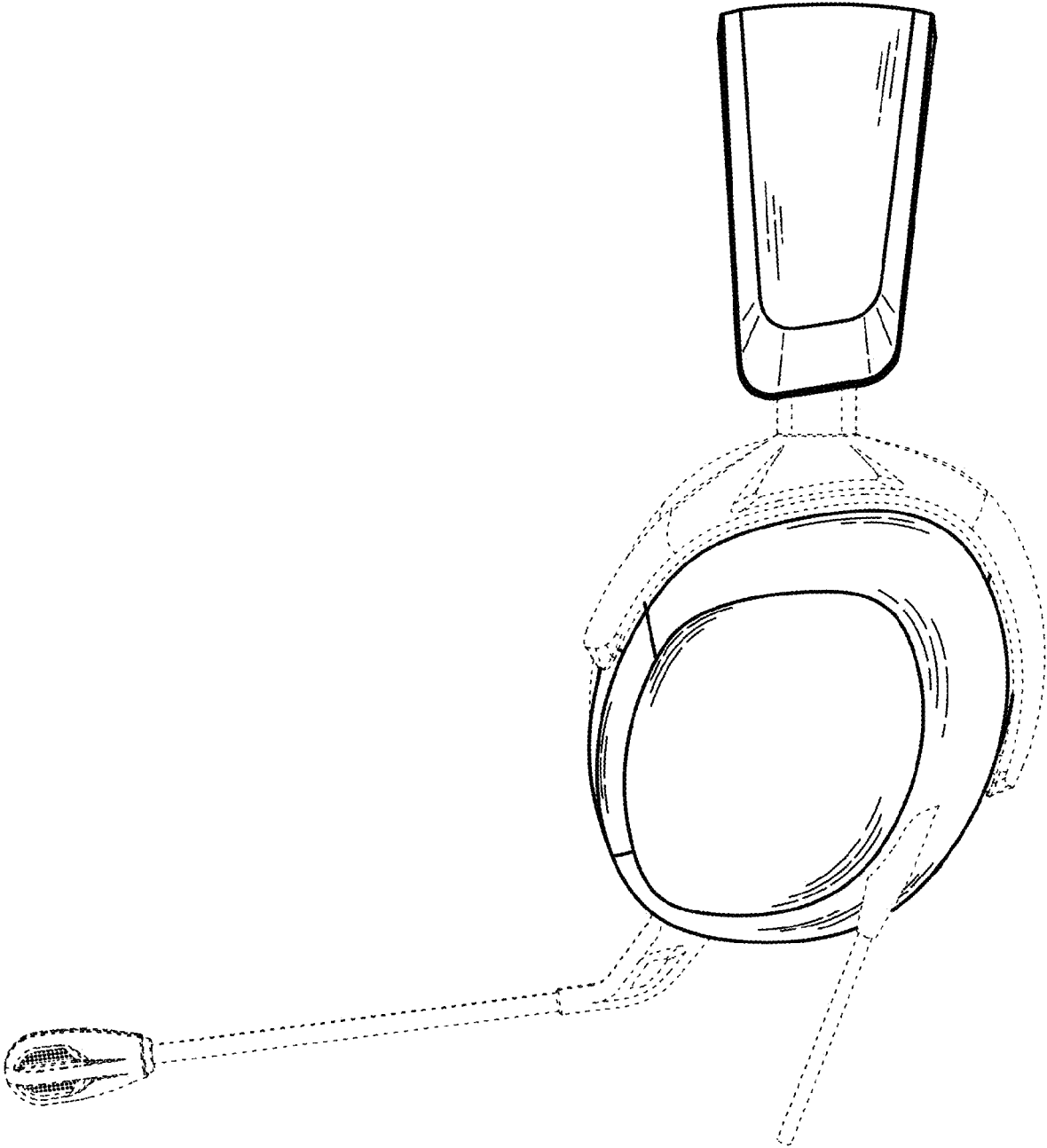


FIG. 7

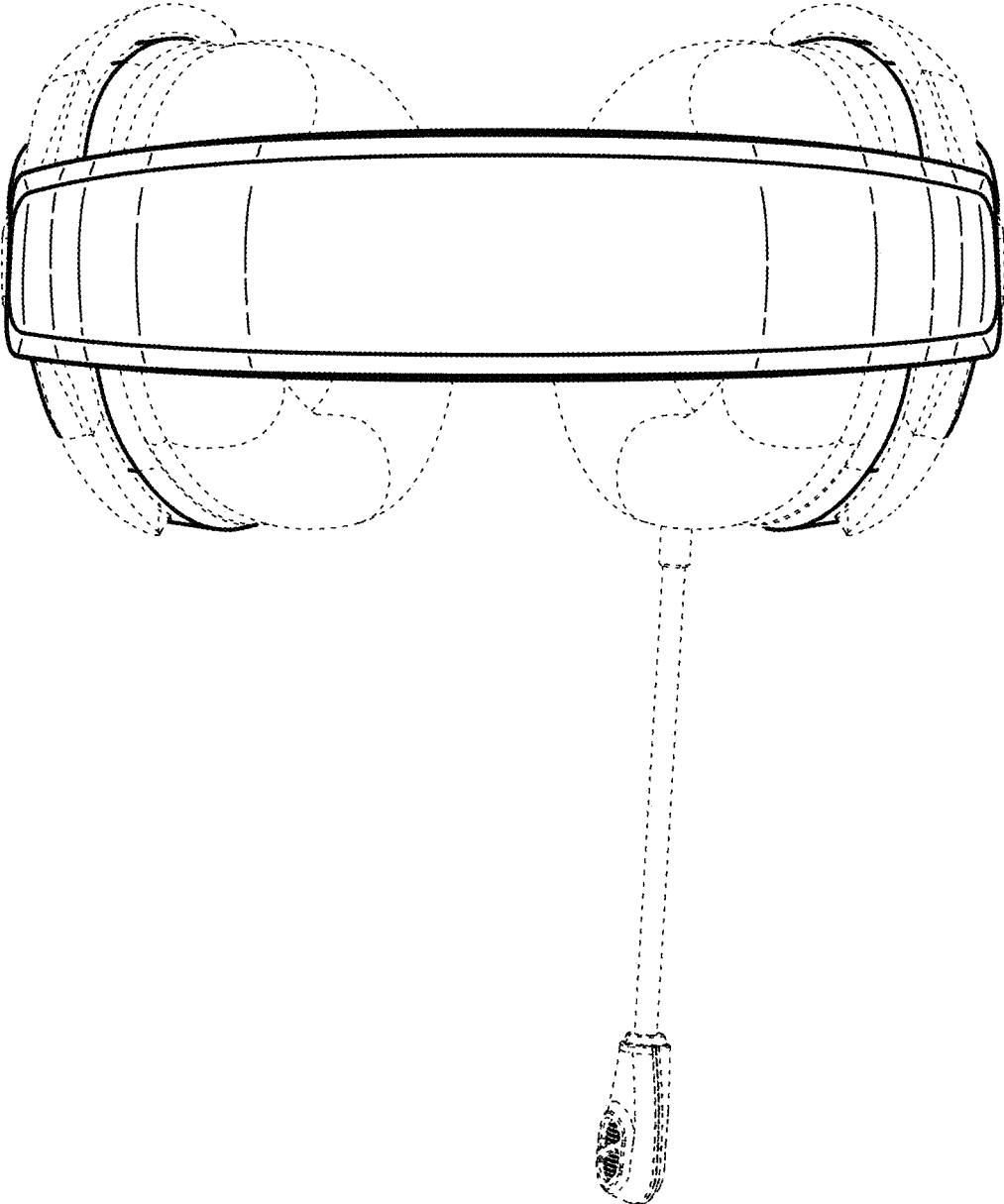


FIG. 8

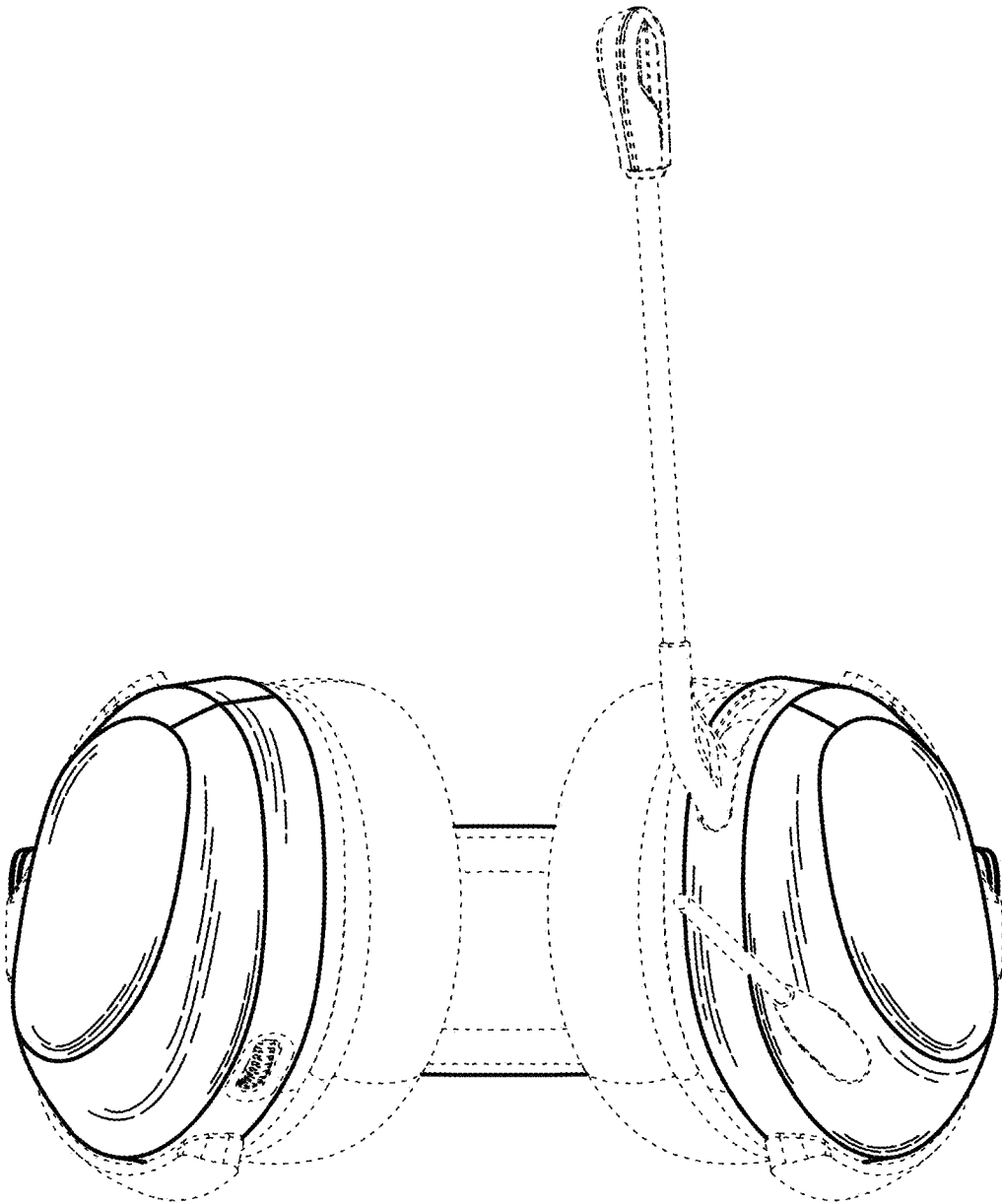


FIG. 9