



US00D888867S

(12) **United States Design Patent**
Jen

(10) **Patent No.:** **US D888,867 S**

(45) **Date of Patent:** **** Jun. 30, 2020**

- (54) **ARM STABILIZER**
- (71) Applicant: **Yi Huei Jen**, Irvine, CA (US)
- (72) Inventor: **Yi Huei Jen**, Irvine, CA (US)
- (**) Term: **15 Years**
- (21) Appl. No.: **29/632,268**

D641,824 S *	7/2011	Gridelet	D22/103
D667,072 S *	9/2012	Kriegleder	D22/103
D671,183 S *	11/2012	Lucansky	D22/103
D702,792 S *	4/2014	Burt	D22/103
D703,276 S *	4/2014	Murayama	D21/568
D725,219 S *	3/2015	Hirt	D22/108

(Continued)

- (22) Filed: **Jan. 5, 2018**
- (51) **LOC (12) Cl.** **22-01**
- (52) **U.S. Cl.**
USPC **D22/108**
- (58) **Field of Classification Search**
USPC D22/100, 103, 104, 105, 108-109;
D21/572-575, 401, 461, 567, 568;
124/16, 26, 27, 28, 29, 54, 73-77;
222/78, 79; 42/54, 57, 58, 71.01, 72, 73,
42/74, 75.01, 75.03, 90; 446/23, 182,
446/192, 401, 403, 405-407, 473, 475
CPC F41A 21/30; F41A 21/325; F41C 23/02;
F41C 23/04; F41C 23/06; F41C 23/08;
F41C 23/10; F41C 23/12; F41C 23/14;
F41C 23/16; F41C 23/18; F41C 23/20;
F41C 23/22; F41C 7/02; F41C 7/04;
F41C 7/06; F41C 7/11; F41C 7/12; F41C
27/00; F41C 27/06
See application file for complete search history.

OTHER PUBLICATIONS

Shockwave Blade Pistol Stabilizer—Black, PrimaryArms.com, [online], [site visited Apr. 1, 2019]. <URL: <https://www.primaryarms.com/shockwave-blade-pistol-stabilizer-black>> (Year: 2019).*

(Continued)

Primary Examiner — T Chase Nelson
Assistant Examiner — Jonathan J. Han
(74) *Attorney, Agent, or Firm* — Kafantaris Law Offices;
Theo Kafantaris

(57) **CLAIM**

I claim the ornamental design for an arm stabilizer, as shown and described.

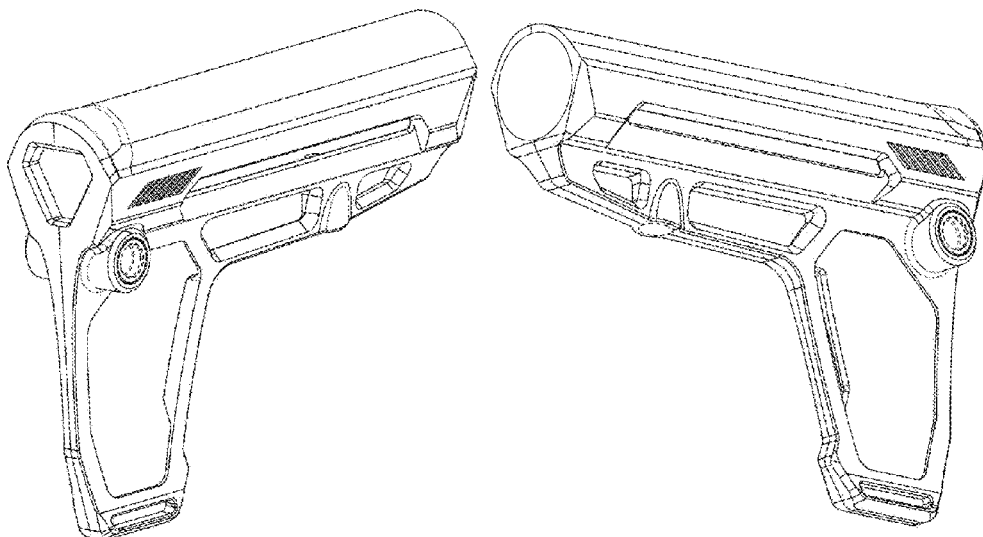
DESCRIPTION

FIG. 1 is an enlarged top view of the arm stabilizer showing my new design;
FIG. 2 is a left side elevational view thereof;
FIG. 3 is a rear elevational view thereof;
FIG. 4 is a rear top perspective view thereof;
FIG. 5 is a rear bottom perspective view thereof;
FIG. 6 is a front elevational view thereof;
FIG. 7 is a front top perspective view thereof;
FIG. 8 is a front bottom perspective view thereof; and,
FIG. 9 is an enlarged bottom view thereof.
The broken lines in the drawings are used to illustrate unclaimed parts of the invention and form no part of the claimed design.

1 Claim, 9 Drawing Sheets

(56) **References Cited**
U.S. PATENT DOCUMENTS

D512,117 S *	11/2005	Murello	D22/100
D516,660 S *	3/2006	Murello	D22/100
D603,013 S *	10/2009	Fitzpatrick	F41C 23/04 D22/108
D610,218 S *	2/2010	Barrett	D22/103
7,798,045 B1 *	9/2010	Fitzpatrick	F41A 21/481 42/69.02
D631,122 S *	1/2011	Domagtoy	D22/108
D636,834 S *	4/2011	Mayberry	F41C 23/04 D22/108



(56)

References Cited

U.S. PATENT DOCUMENTS

9,004,052 B1 * 4/2015 Poirier F41B 7/006
124/27
D731,023 S * 6/2015 Hirt D22/108
D736,336 S * 8/2015 Mayberry D22/108
D745,622 S * 12/2015 Zusman D22/108
D745,627 S * 12/2015 Kielsmeier D22/108
D747,427 S * 1/2016 Zusman D22/108
D764,622 S * 8/2016 Bosco D22/108
D771,765 S * 11/2016 Ewer D22/108
D773,005 S * 11/2016 Ding D22/108
D773,591 S * 12/2016 Morenz D22/108
D773,592 S * 12/2016 Jones D22/108
D773,593 S * 12/2016 Hopkins D22/108
D780,279 S * 2/2017 Bosco D22/108
9,664,478 B2 * 5/2017 Robinson F41C 23/04
D795,984 S * 8/2017 Frederickson D22/108
D795,985 S * 8/2017 Frederickson D22/108
D808,486 S * 1/2018 Kafka D22/103
D809,621 S * 2/2018 Lam D22/108
D818,074 S * 5/2018 Ding D22/108

D819,765 S * 6/2018 Kafka D22/103
D828,476 S * 9/2018 Smith D22/108
D832,387 S * 10/2018 Robinson D22/108

OTHER PUBLICATIONS

[Shot 2018] Strike Industries New Products, TheFirearmBlog.com, Posted Jan. 29, 2018, [online], [site visited Apr. 1, 2019]. <URL: <https://www.thefirearmblog.com/blog/2018/01/29/shot-2018-strike-industries-new-products/>> (Year: 2018).*

Command Arms MICRONISTAB1 Micro Roni Stabilizer, BudsGunShop.com, [online], [site visited Apr. 1, 2019]. <URL: https://www.budsgunshop.com/catalog/product_info.php/products_id/39738/command+arms+micronistab1+micro+roni+stabilizer+pis+tol+glock+19+gen+3%264+aluminu> (Year: 2019).*

New Frontier Armory C-9 Complete Billet Pistol Lower Receiver with Shockwave Stabilizing Brace—Glock Mags, SS-Arms.com, [online], [site visited Apr. 1, 2019]. <URL: <https://www.ss-arms.com/product-p/nfa-c9-pistol.htm>> (Year: 2019).*

KAK Blade Pistol Arm Stabilizer Brace BAFT Approved—Grey, DeltaTeamTactical.com, [online], [site visited Apr. 1, 2019]. <URL: https://www.deltateamtactical.com/KAK-Blade-Pistol-Arm-Stabilizer-Brace-BATF-Approved--Grey_p_7715.html> (Year: 2019).*

* cited by examiner

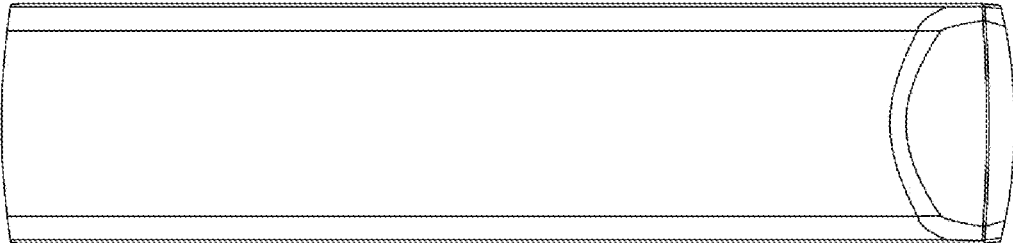


FIG 1

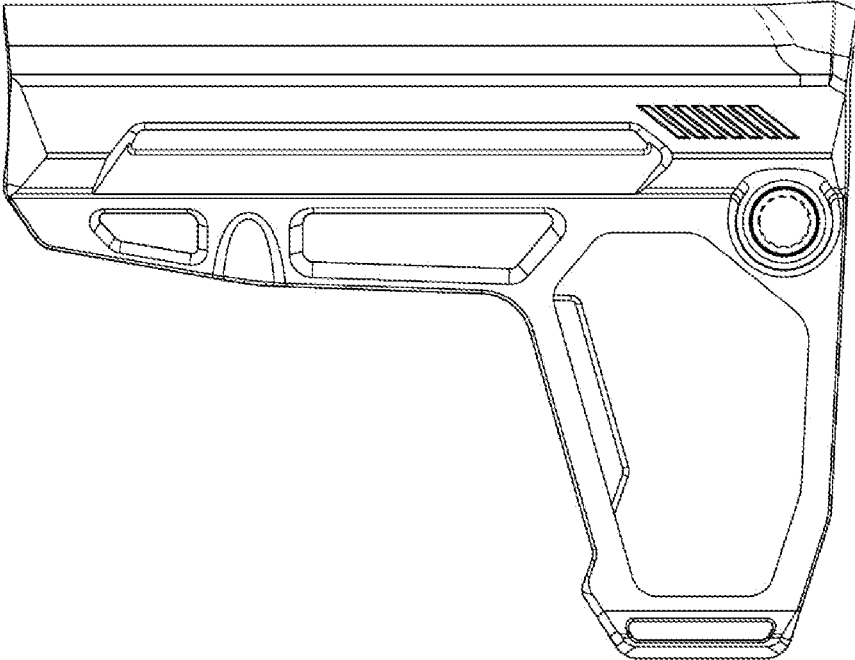


FIG 2

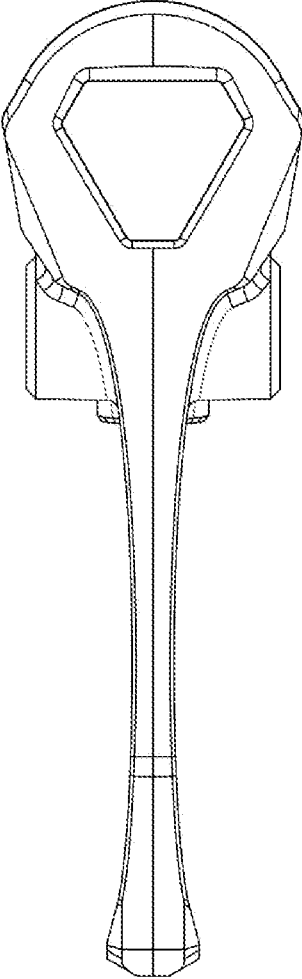


FIG 3

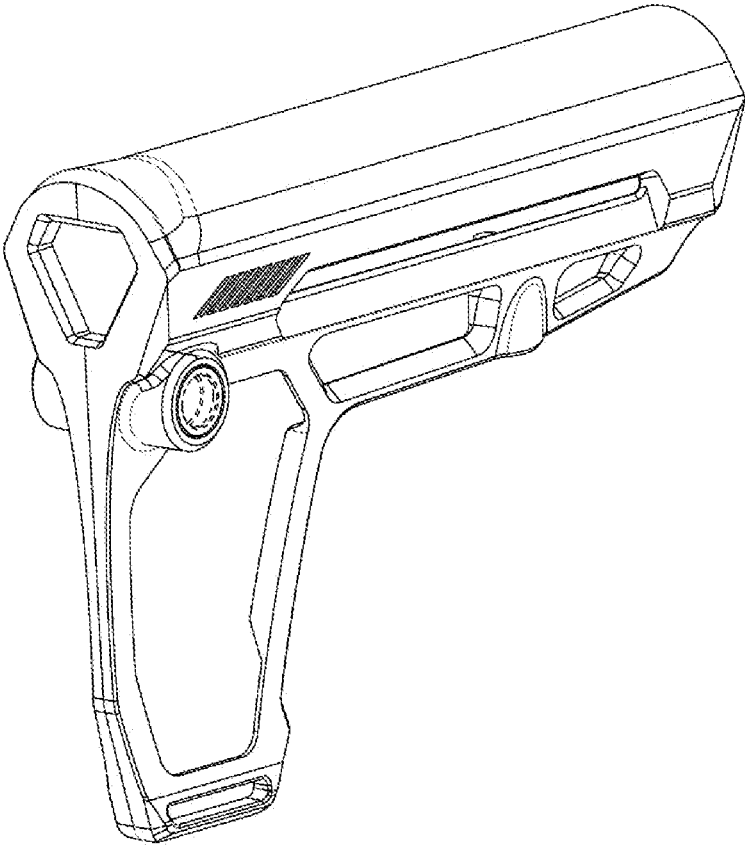


FIG 4

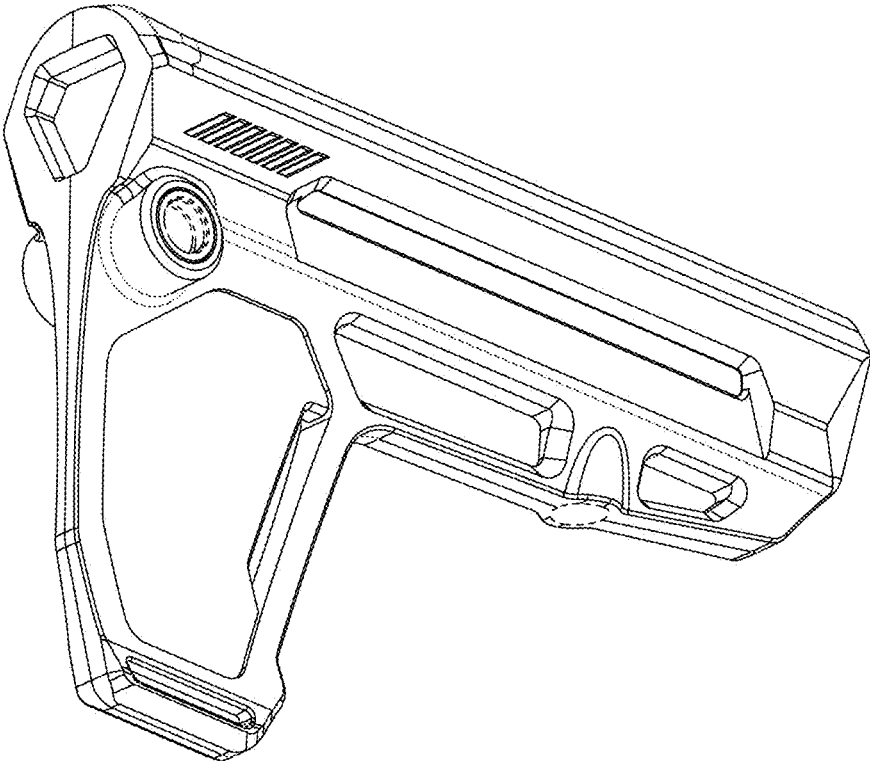


FIG 5

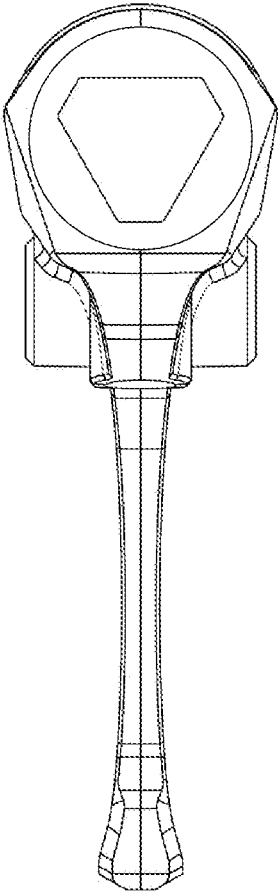


FIG 6

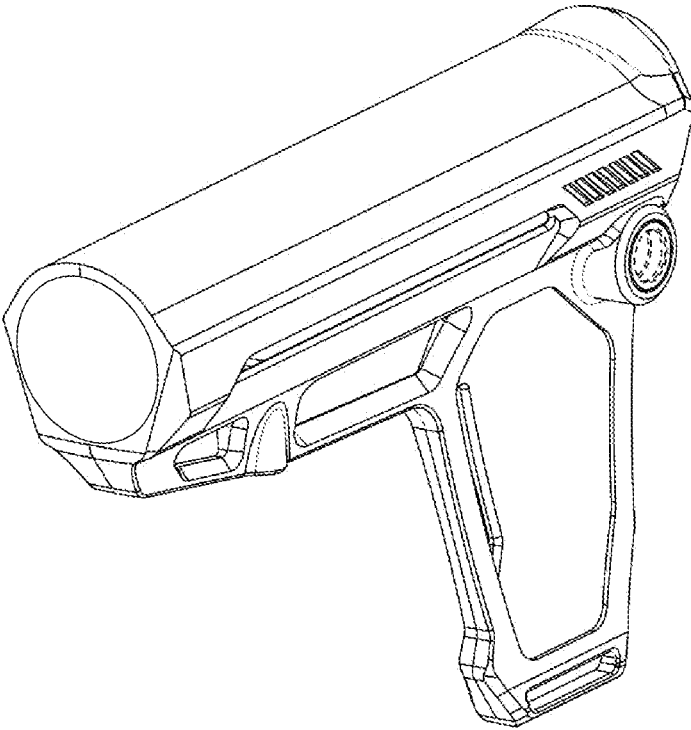


FIG 7

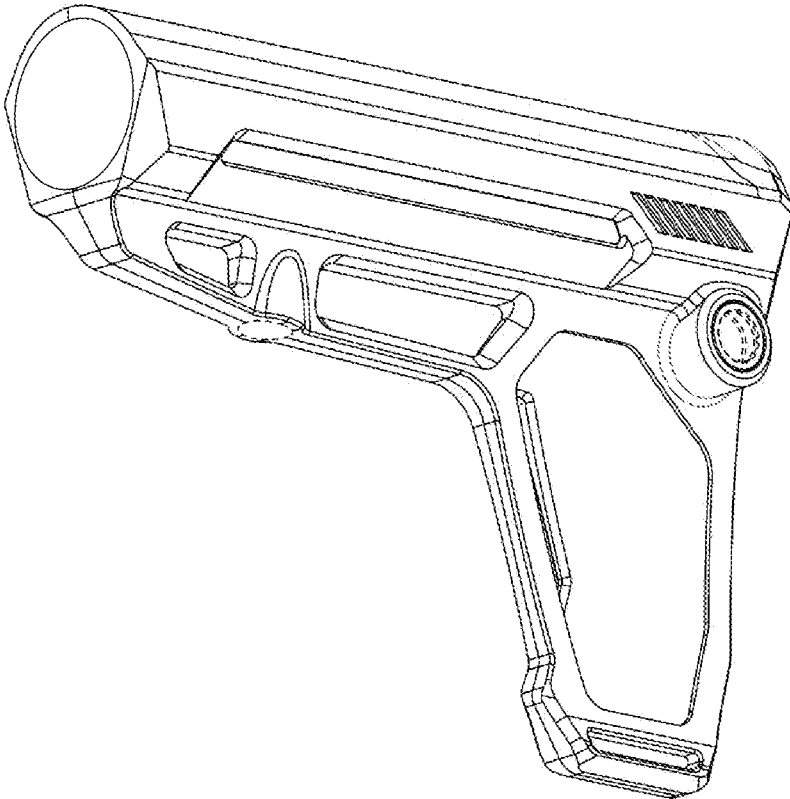


FIG 8

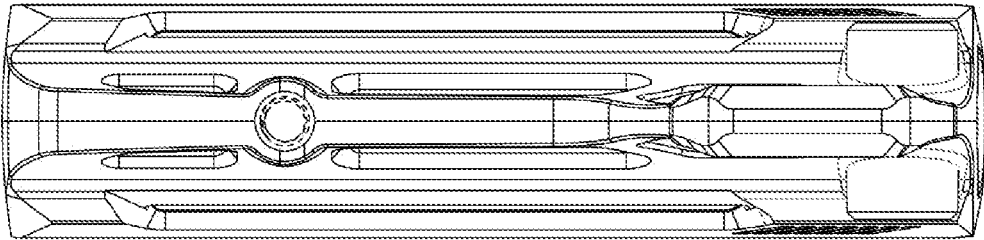


FIG 9