



(12) **United States Design Patent**  
**Tong**

(10) **Patent No.:** **US D896,203 S**  
(45) **Date of Patent:** **\*\* Sep. 15, 2020**

- (54) **HEADPHONE**
- (71) Applicant: **RAZER (ASIA-PACIFIC) PTE. LTD.,**  
Singapore (SG)
- (72) Inventor: **Ien Yu Tong,** Singapore (SG)
- (73) Assignee: **RAZER (ASIA-PACIFIC) PTE. LTD.,**  
Singapore (SG)
- (\*\*) Term: **15 Years**
- (21) Appl. No.: **29/686,189**
- (22) Filed: **Apr. 2, 2019**
- (51) **LOC (12) Cl.** ..... **14-01**
- (52) **U.S. Cl.**  
USPC ..... **D14/206; D14/226**
- (58) **Field of Classification Search**  
USPC ..... D14/206, 205, 188, 192, 225, 226;  
D29/112; 2/209; 381/380, 381, 374;  
455/90.3, 575.1, 569.1  
(Continued)

- (56) **References Cited**  
**U.S. PATENT DOCUMENTS**  
2,485,405 A \* 10/1949 Olney ..... H04R 1/342  
379/430  
2,910,539 A \* 10/1959 Hartsfield ..... H04R 19/04  
381/174  
(Continued)

- FOREIGN PATENT DOCUMENTS**  
EM 006929642-0001 \* 9/2019  
*Primary Examiner* — Paula Allen Greene  
(74) *Attorney, Agent, or Firm* — Polsinelli PC

(57) **CLAIM**  
I claim the ornamental design for a headphone, as shown and described.

**DESCRIPTION**

This patent or application file contains at least one drawing executed in color. Copies of this patent or patent application

with color drawing(s) will be provided by the Office by request and payment of the necessary fee.

FIG. 1 is a perspective view of a first embodiment of a headphone, showing my new design;

FIG. 2 is a front elevational view thereof;

FIG. 3 is a rear elevational view thereof;

FIG. 4 is a right side elevational view thereof;

FIG. 5 is a left side elevational view thereof;

FIG. 6 is a top plan view thereof; and

FIG. 7 is a bottom plan view thereof.

FIG. 8 is a color, perspective view of a second embodiment of a headphone, the color drawing is necessary to clearly show in the presence of colors within the design;

FIG. 9 is a color, front elevational view thereof, the color drawing is necessary to clearly show the presence of colors within the design;

FIG. 10 is a color, rear elevational view thereof, the color drawing is necessary to clearly show the presence of colors within the design;

FIG. 11 is a color, right side elevational view thereof, the color drawing is necessary to clearly show the presence of colors within the design;

FIG. 12 is a color, left side elevational view thereof, the color drawing is necessary to clearly show the presence of colors within the design;

FIG. 13 is a color, top plan view thereof, the color drawing is necessary to clearly show the presence of colors within the design; and

FIG. 14 is a color, bottom plan view thereof, the color drawing is necessary to clearly show the presence of colors within the design.

FIG. 15 is a perspective view of a third embodiment of a headphone;

FIG. 16 is a front elevational view thereof;

FIG. 17 is a rear elevational view thereof;

FIG. 18 is a right side elevational view thereof;

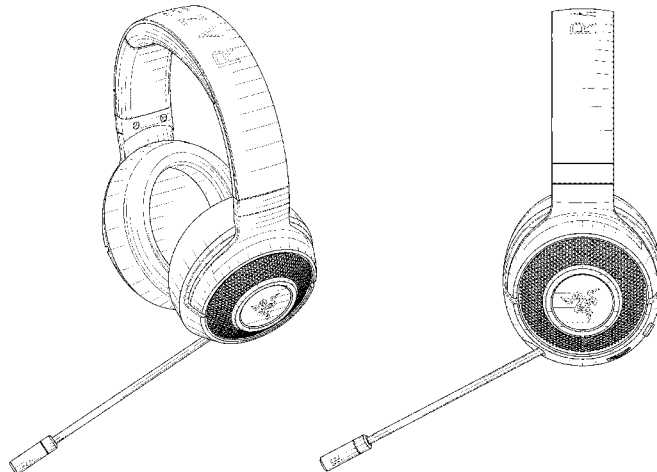
FIG. 19 is a left side elevational view thereof;

FIG. 20 is a top plan view thereof; and,

FIG. 21 is a bottom plan view thereof.

Broken lines are for illustrating portions of the headphone which form no part of the claimed design.

(Continued)



The stippling illustrated in the third embodiment represents a contrast in appearance as shown.

**1 Claim, 21 Drawing Sheets  
(4 of 21 Drawing Sheet(s) Filed in Color)**

**(58) Field of Classification Search**

CPC ..... H04R 25/00; H04R 25/02; H04R 1/1066;  
H04R 1/1016; H04R 5/033; H04R  
5/0335; H04R 19/04  
See application file for complete search history.

**(56) References Cited**

U.S. PATENT DOCUMENTS

3,459,902 A \* 8/1969 Warning ..... H04R 1/222  
381/357  
3,562,446 A \* 2/1971 Wolf ..... H04R 1/08  
381/362  
3,781,492 A \* 12/1973 Cragg ..... H04R 1/105  
379/430  
D233,444 S \* 10/1974 Christian ..... D14/206  
4,420,657 A \* 12/1983 Larkin ..... H04M 1/05  
181/129  
D337,116 S \* 7/1993 Hattori ..... D14/206  
D366,045 S \* 1/1996 Hirschhorn ..... D14/209  
D385,885 S \* 11/1997 Liao ..... D14/227  
5,793,878 A \* 8/1998 Chang ..... H04R 5/0335  
381/370  
6,560,346 B2 \* 5/2003 Ohta ..... H04R 1/083  
381/370  
D479,227 S \* 9/2003 Marshall ..... D14/228  
D481,375 S \* 10/2003 Suzuki ..... D14/206  
D518,479 S \* 4/2006 Skulley ..... D14/225  
7,050,597 B2 \* 5/2006 Akino ..... H04R 1/38  
381/174  
7,103,392 B2 \* 9/2006 Fletcher ..... H04M 1/725  
379/159  
D533,166 S \* 12/2006 Marquez ..... D14/225  
D563,382 S \* 3/2008 Wikel ..... D14/205  
D578,508 S \* 10/2008 Wang ..... D14/206  
D585,871 S \* 2/2009 Lee ..... D14/205  
D589,492 S \* 3/2009 Mistry ..... D14/205  
D602,908 S \* 10/2009 Ham ..... D14/206  
D603,370 S \* 11/2009 Suzuki ..... D14/205  
D623,627 S \* 9/2010 Alden ..... D14/205  
D641,003 S \* 7/2011 Alden ..... D14/205  
D642,554 S \* 8/2011 Schaal ..... D14/205  
D650,356 S \* 12/2011 Alden ..... D14/205  
D662,080 S \* 6/2012 Carr ..... D14/205  
D665,776 S \* 8/2012 Alden ..... D14/205

D665,777 S \* 8/2012 Alden ..... D14/205  
D667,388 S \* 9/2012 Kelley ..... D14/206  
D673,136 S \* 12/2012 Kelly ..... D14/205  
D674,372 S \* 1/2013 Kelly ..... D14/205  
D677,241 S \* 3/2013 Kelly ..... D14/205  
D677,243 S \* 3/2013 Kitayama ..... D14/205  
D683,717 S \* 6/2013 Kelly ..... D14/205  
D685,759 S \* 7/2013 Kelly ..... D14/205  
D689,464 S \* 9/2013 Bonahoom ..... D14/206  
D691,113 S \* 10/2013 Gougherty ..... D14/206  
D691,582 S \* 10/2013 Nguyen ..... H04R 1/1008  
D14/205  
D693,793 S \* 11/2013 Kelly ..... D14/205  
D699,216 S \* 2/2014 Bonahoom ..... D14/205  
D701,193 S \* 3/2014 Kelly ..... D14/205  
D706,241 S \* 6/2014 Szymanski ..... H04R 1/1066  
D14/205  
D707,654 S \* 6/2014 Nguyen ..... H04R 1/1041  
D14/205  
D719,136 S \* 12/2014 Schaal ..... D14/205  
D721,052 S \* 1/2015 Carr ..... D14/205  
D727,283 S \* 4/2015 Dryden ..... D14/205  
D729,196 S \* 5/2015 Liu ..... D14/205  
D732,000 S \* 6/2015 Brunner ..... D14/205  
D733,092 S \* 6/2015 Gan ..... D14/205  
D734,297 S \* 7/2015 Sasaki ..... D14/205  
D741,289 S \* 10/2015 Schaal ..... D14/205  
D746,790 S \* 1/2016 Strasberg ..... D14/205  
D757,680 S \* 5/2016 Kelly ..... D14/205  
D758,337 S \* 6/2016 Szymanski ..... D14/205  
D765,055 S \* 8/2016 Hsieh ..... D14/205  
D787,470 S \* 5/2017 Kelly ..... D14/205  
D805,055 S \* 12/2017 Kelly ..... D14/205  
D811,364 S \* 2/2018 Park ..... D14/205  
D811,365 S \* 2/2018 Czaniecki ..... D14/205  
D815,614 S \* 4/2018 Tzeng ..... D14/205  
D817,303 S \* 5/2018 Tragatschnig ..... D14/205  
D826,210 S \* 8/2018 Chong ..... D14/205  
D828,326 S \* 9/2018 Ye ..... D14/205  
D834,260 S \* 11/2018 Garcia Mansilla ..... D29/112  
D840,370 S \* 2/2019 Kelly ..... D14/205  
D851,627 S \* 6/2019 Ter Laag ..... D14/205  
D852,777 S \* 7/2019 Park ..... D14/206  
D854,513 S \* 7/2019 Miyake ..... D14/205  
D869,437 S \* 12/2019 Hu ..... D14/205  
D871,367 S \* 12/2019 Zhijun ..... D14/205  
D879,066 S \* 3/2020 Chen ..... D14/205  
D887,391 S \* 6/2020 Chong ..... D14/205  
2010/0310093 A1 \* 12/2010 Semcken ..... H04R 1/1058  
381/104  
2011/0002478 A1 \* 1/2011 Pollard ..... H04R 1/1041  
381/74  
2014/0056459 A1 \* 2/2014 Oishi ..... H04R 1/10  
381/370

\* cited by examiner



FIG. 1

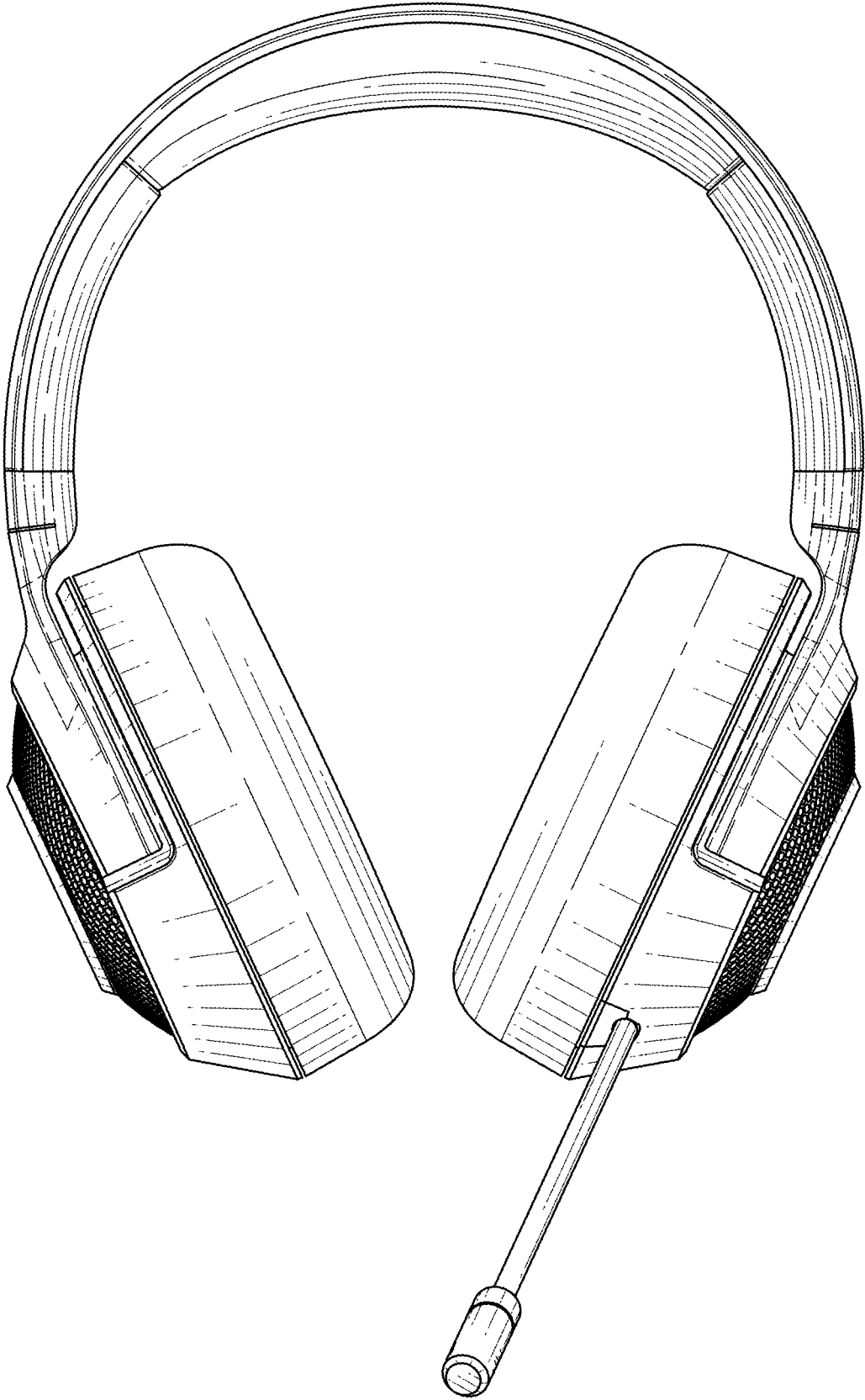


FIG. 2

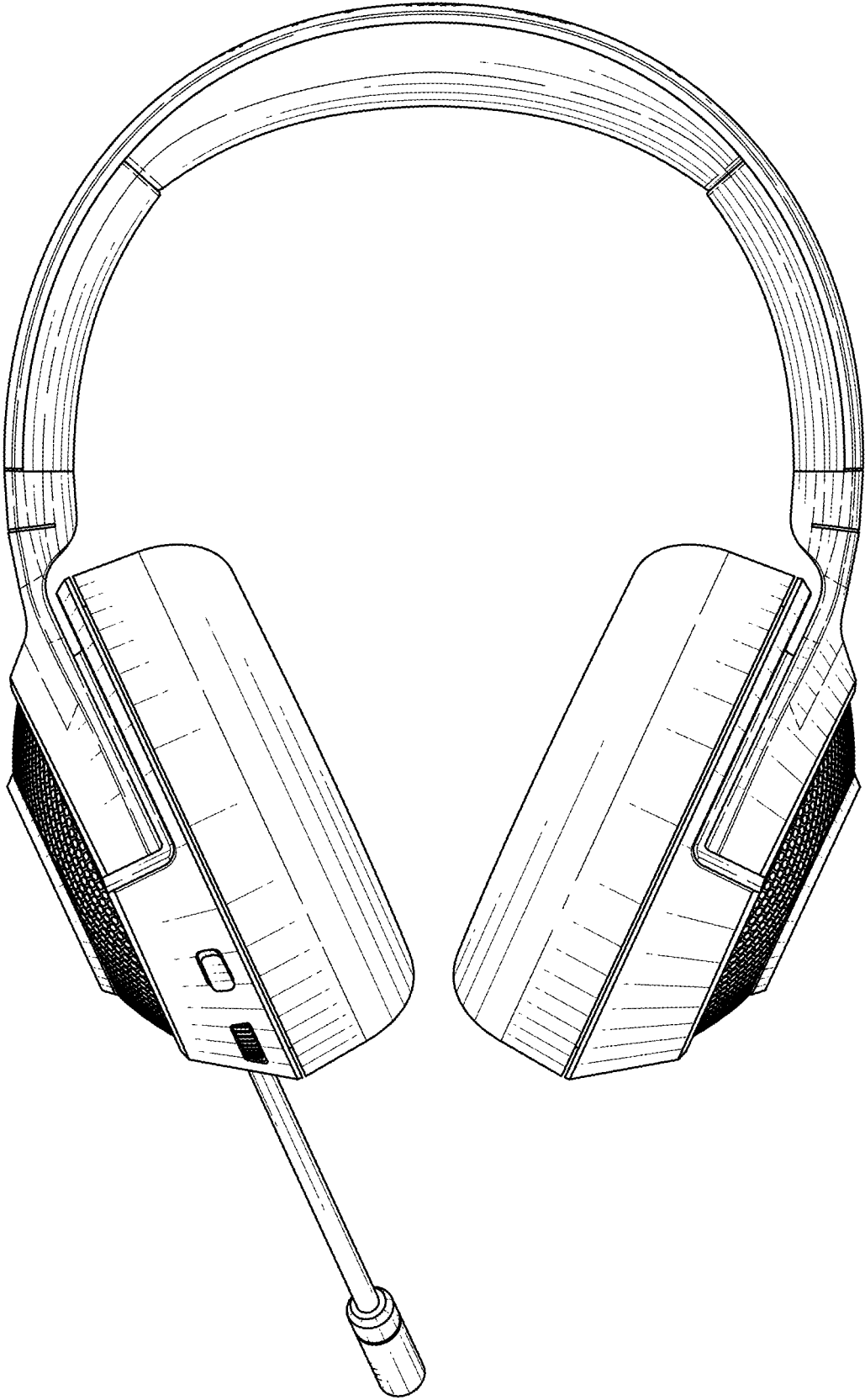


FIG. 3

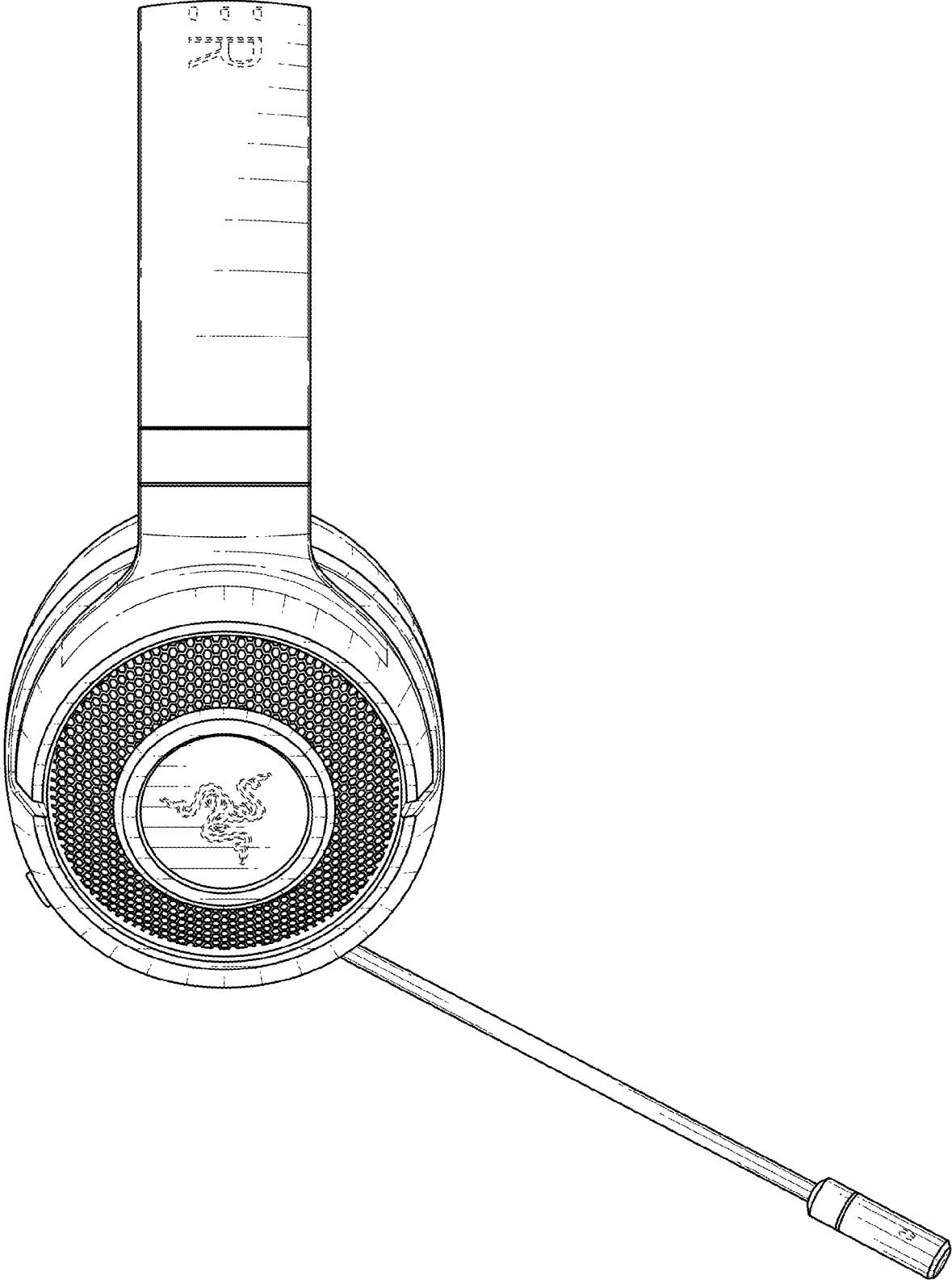


FIG. 4

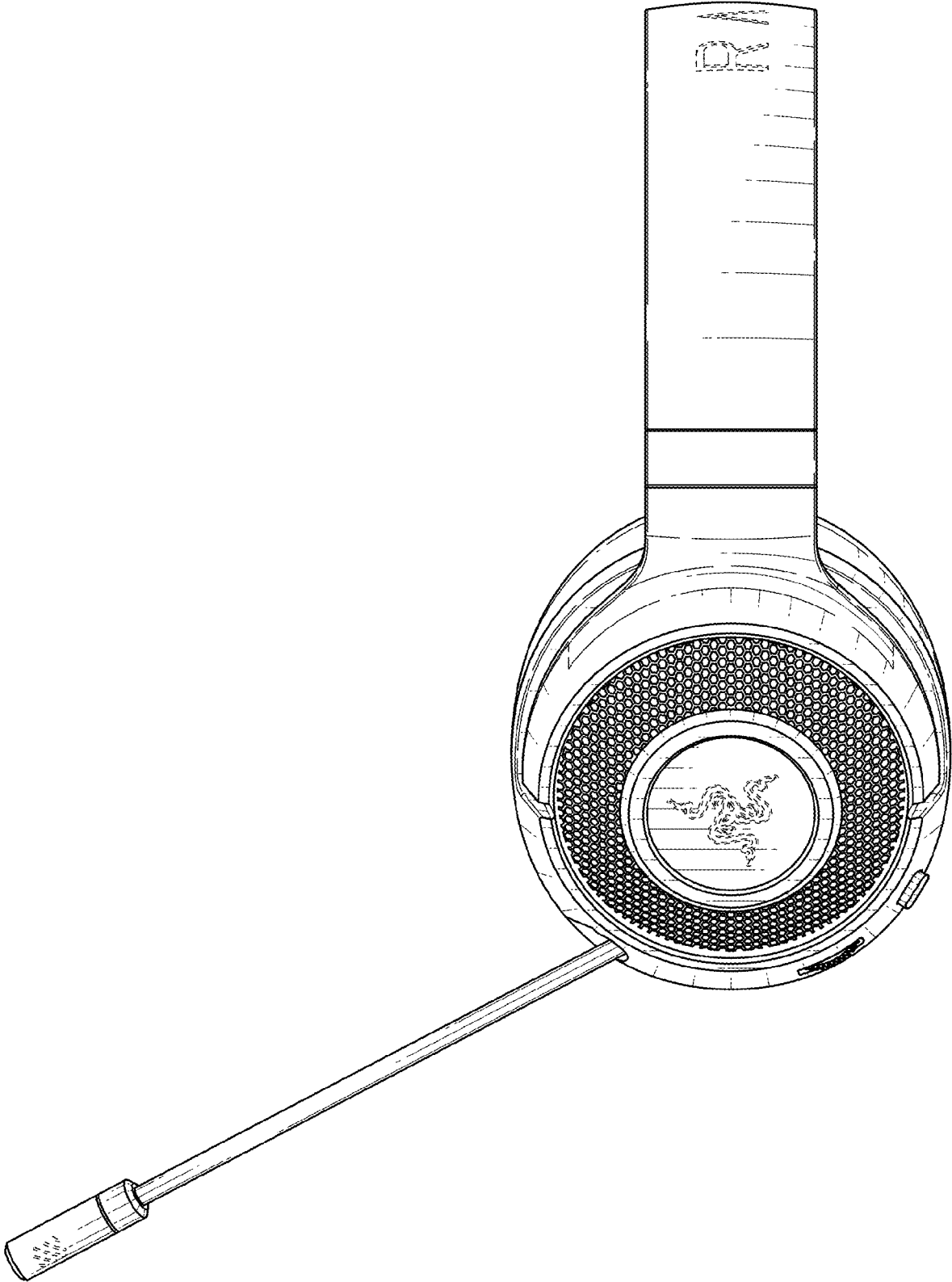


FIG. 5

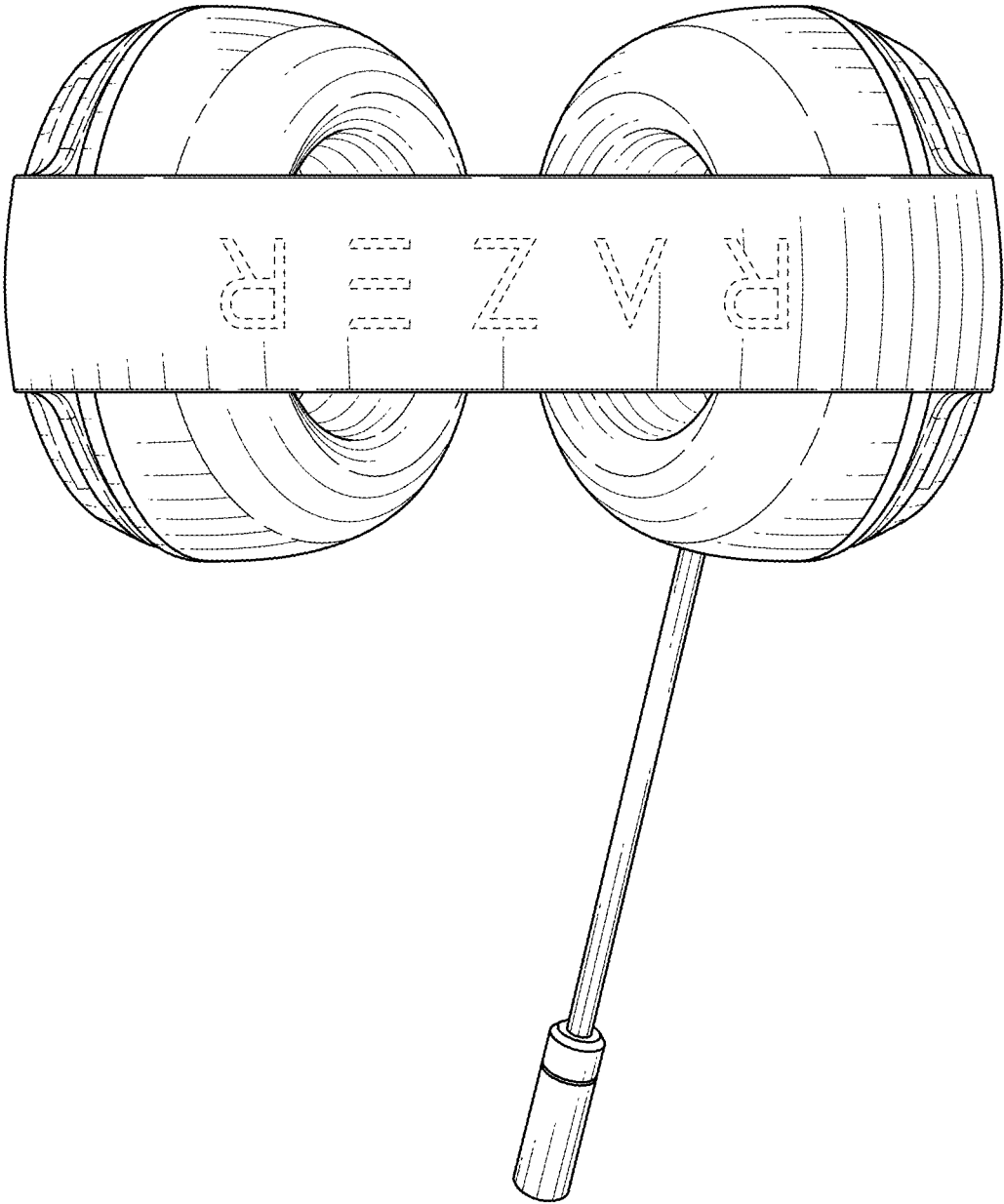


FIG. 6



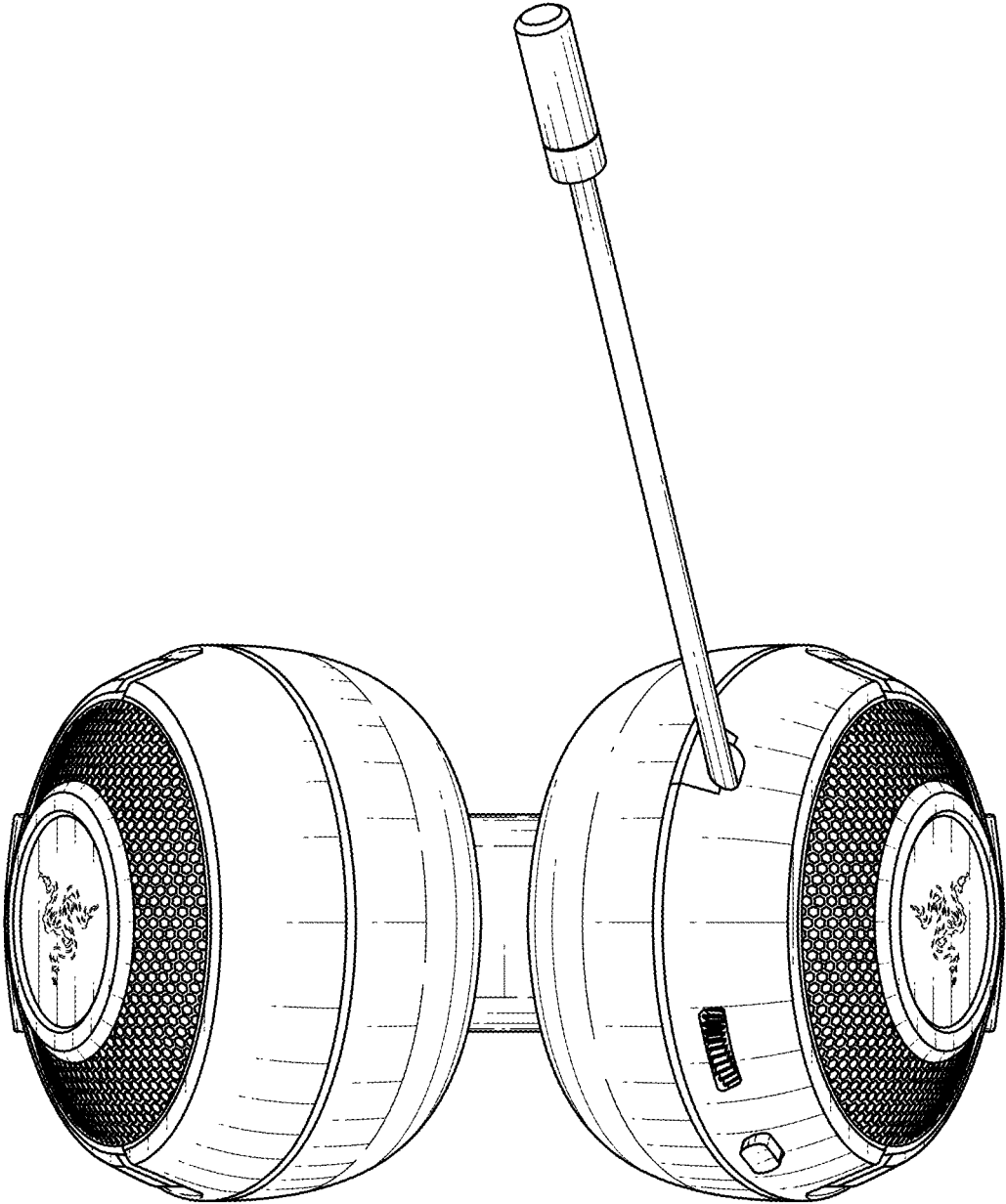


FIG. 7



FIG. 8



FIG. 9



FIG. 10

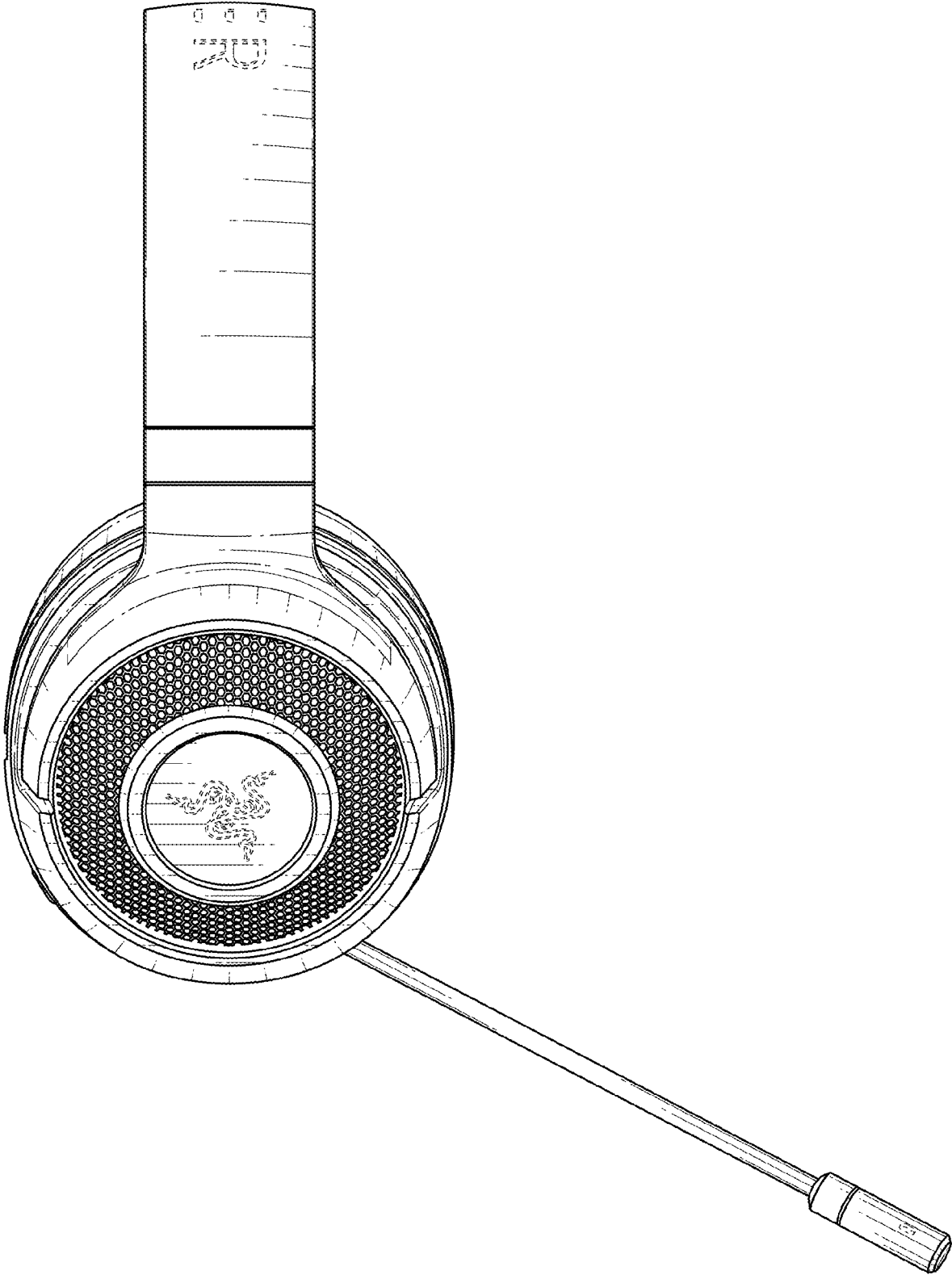


FIG. 11

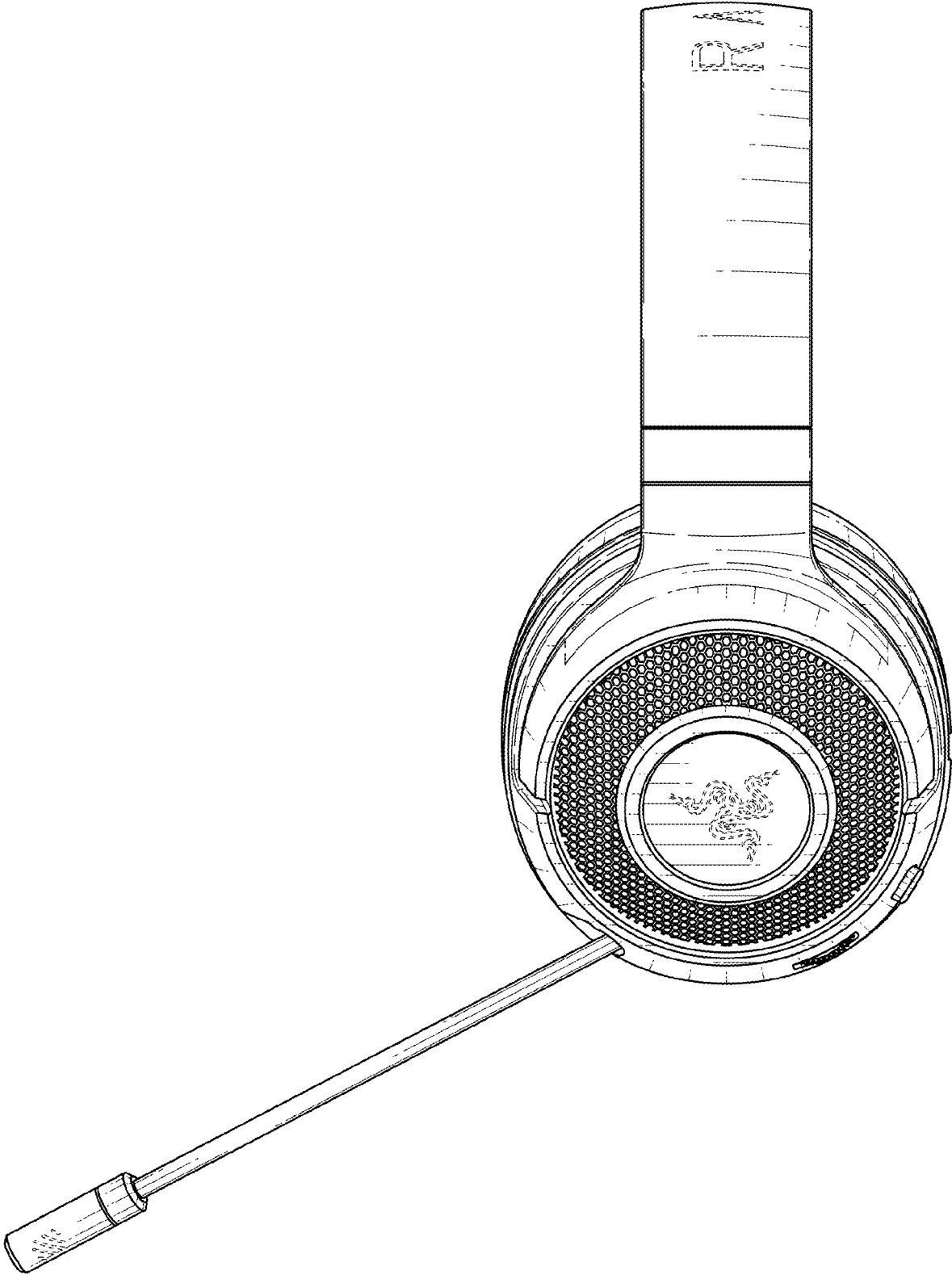


FIG. 12

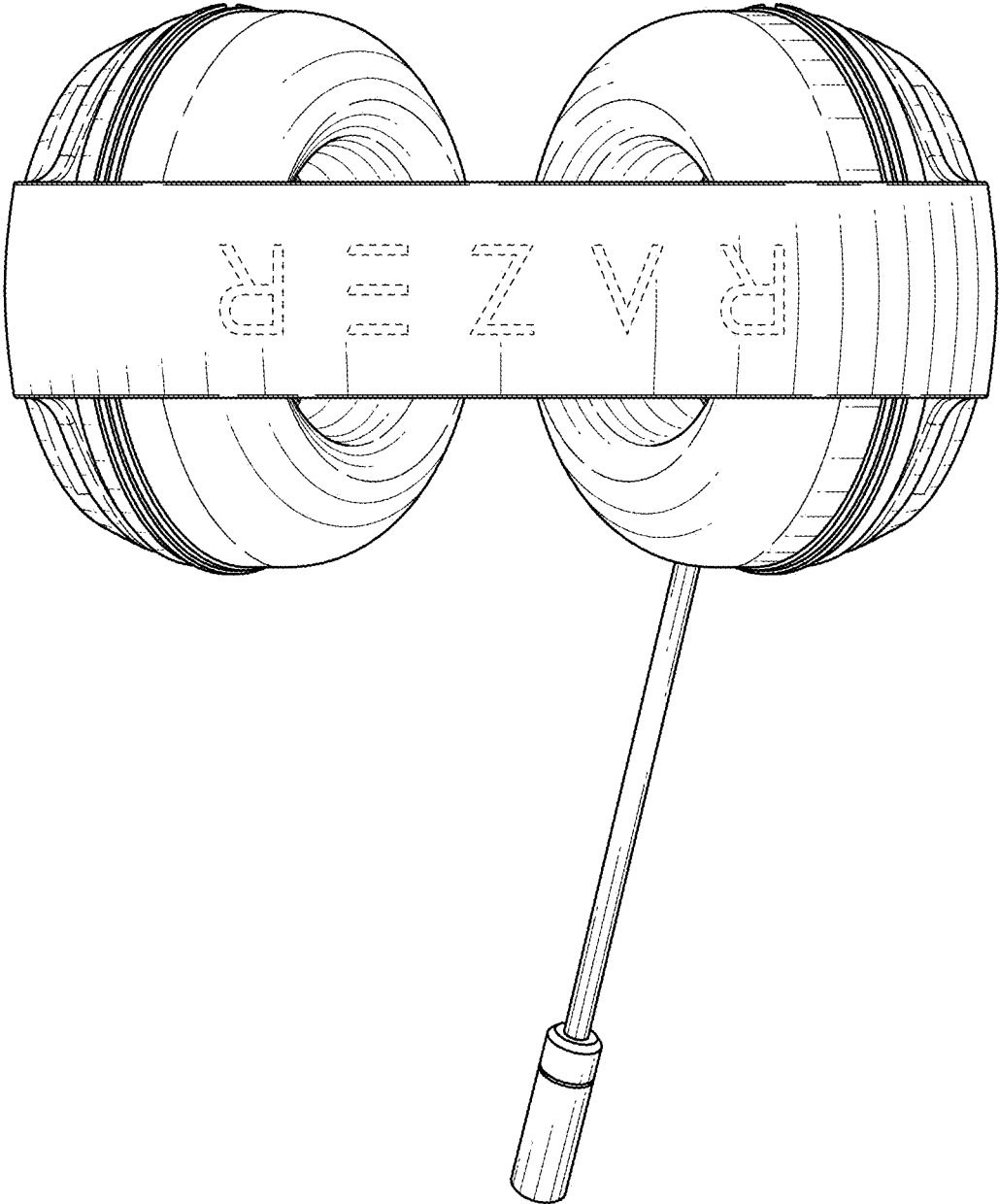


FIG. 13

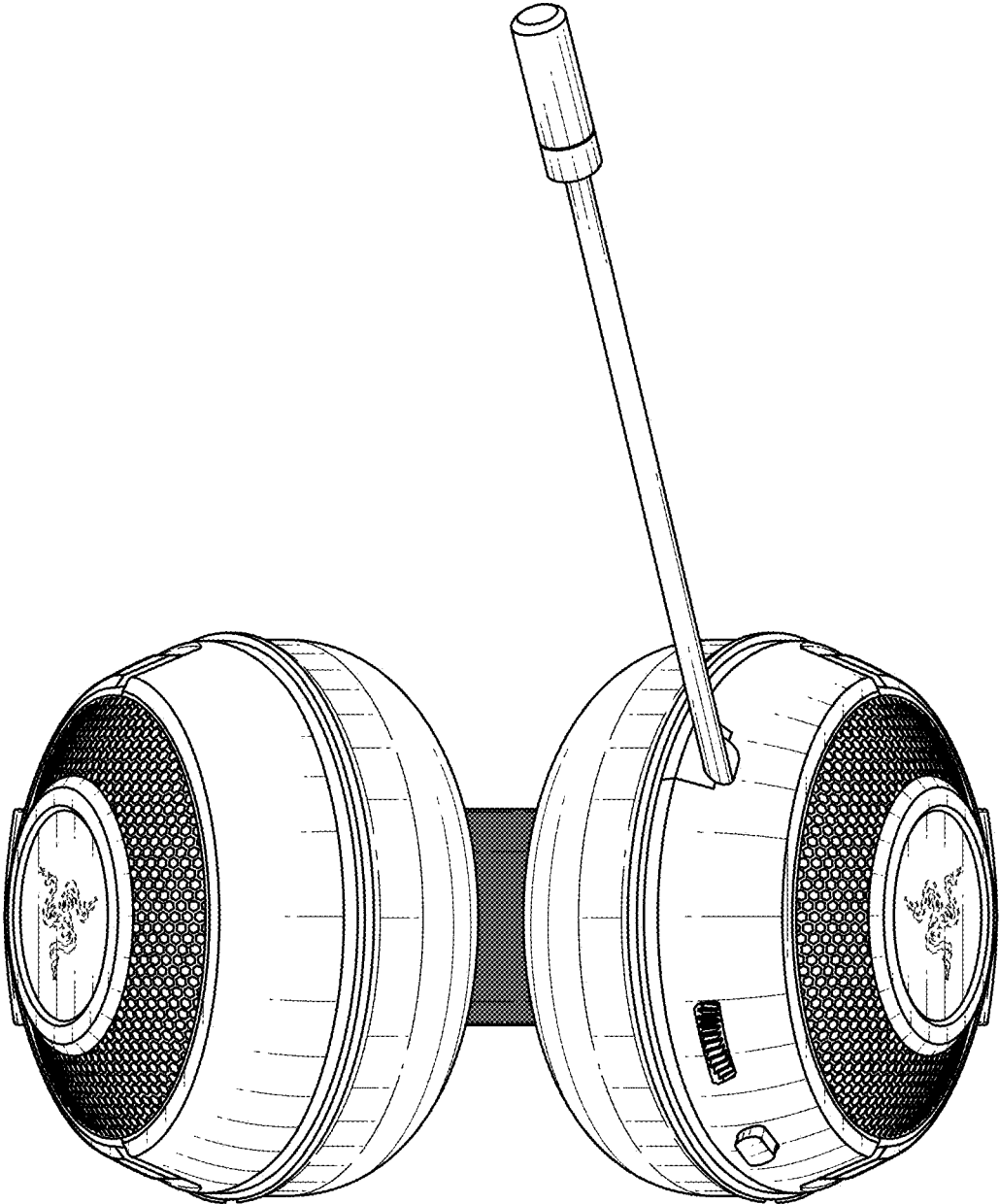


FIG. 14





FIG. 15



FIG. 16



FIG. 17

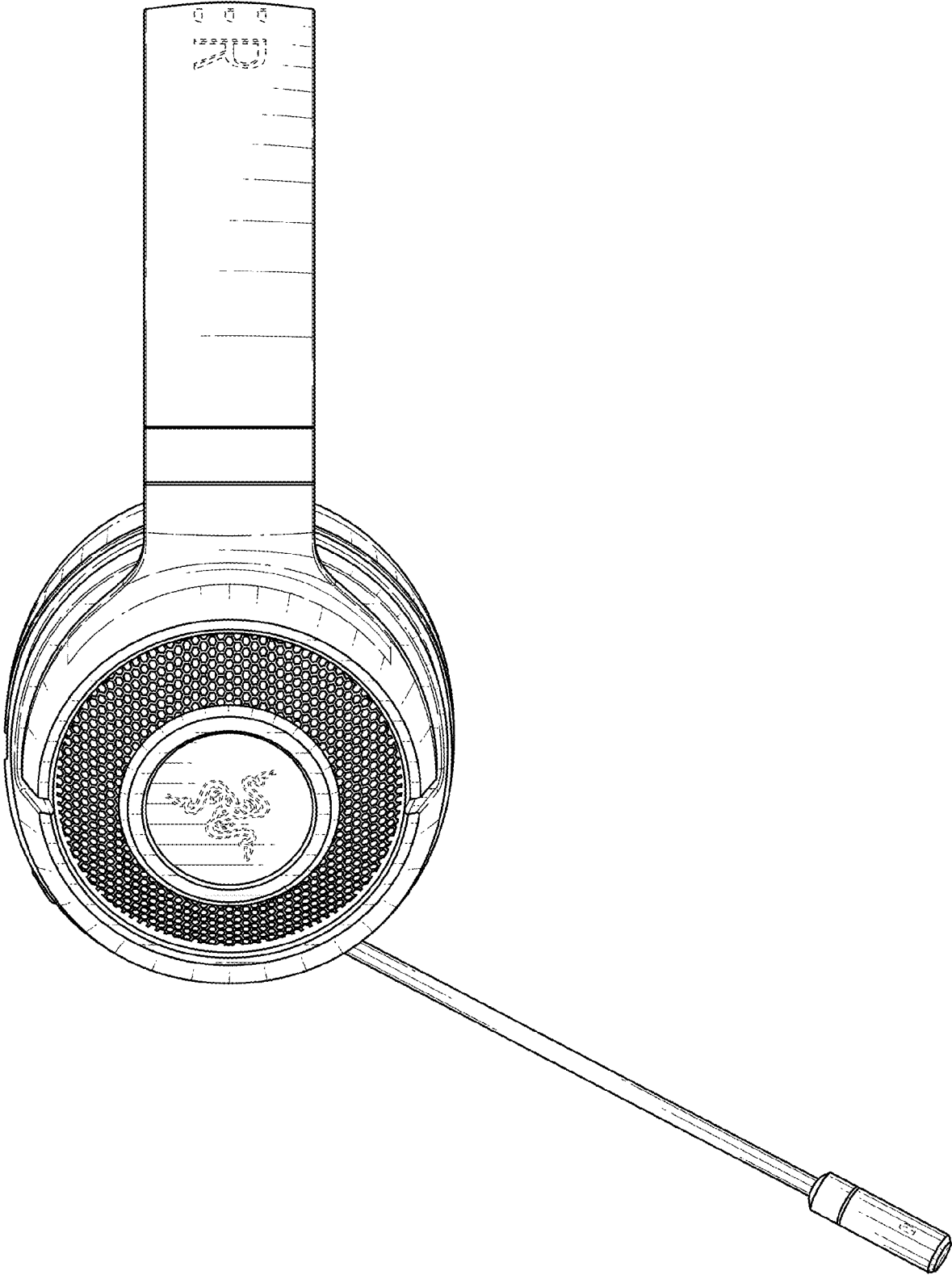


FIG. 18

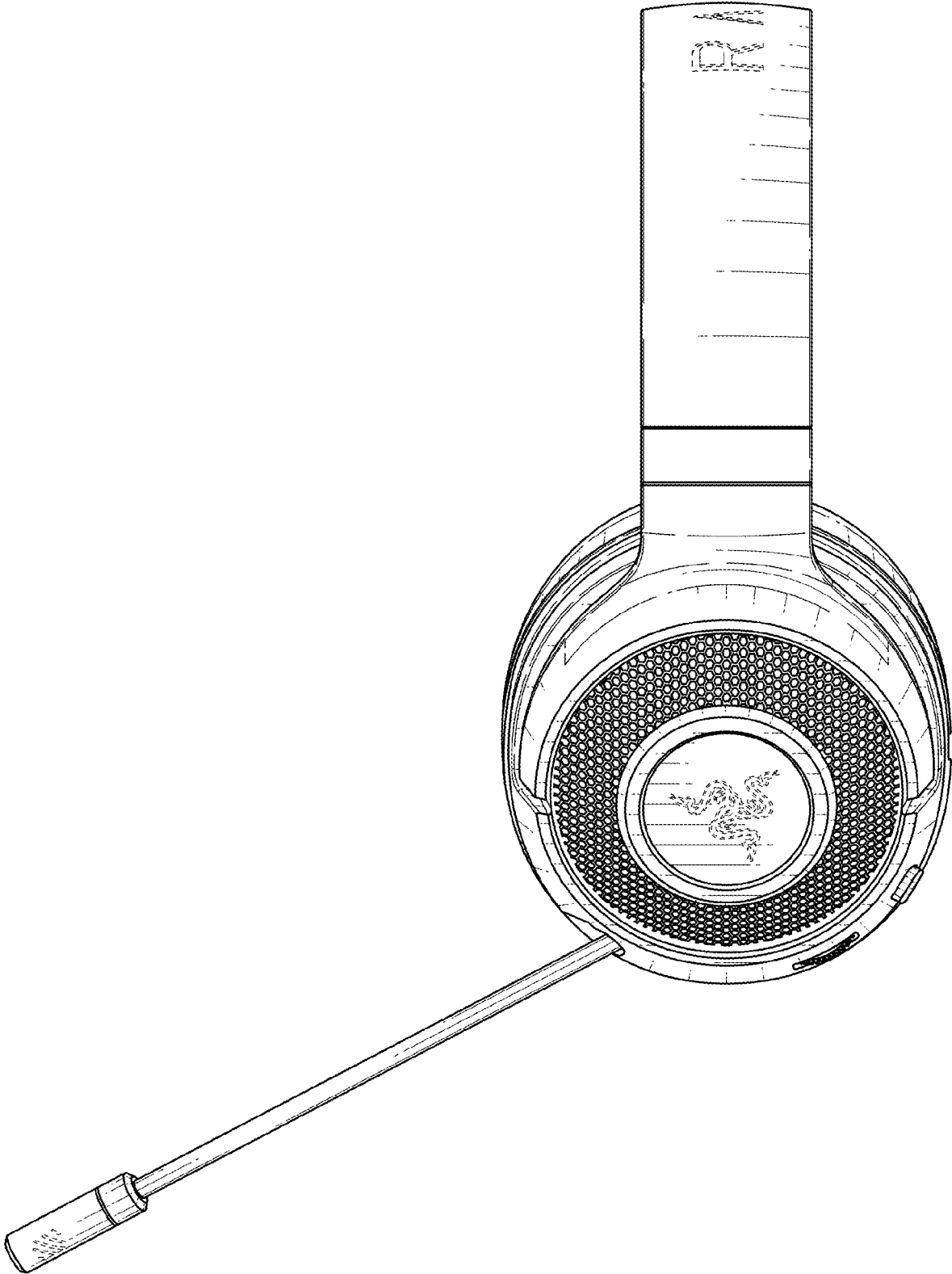


FIG. 19

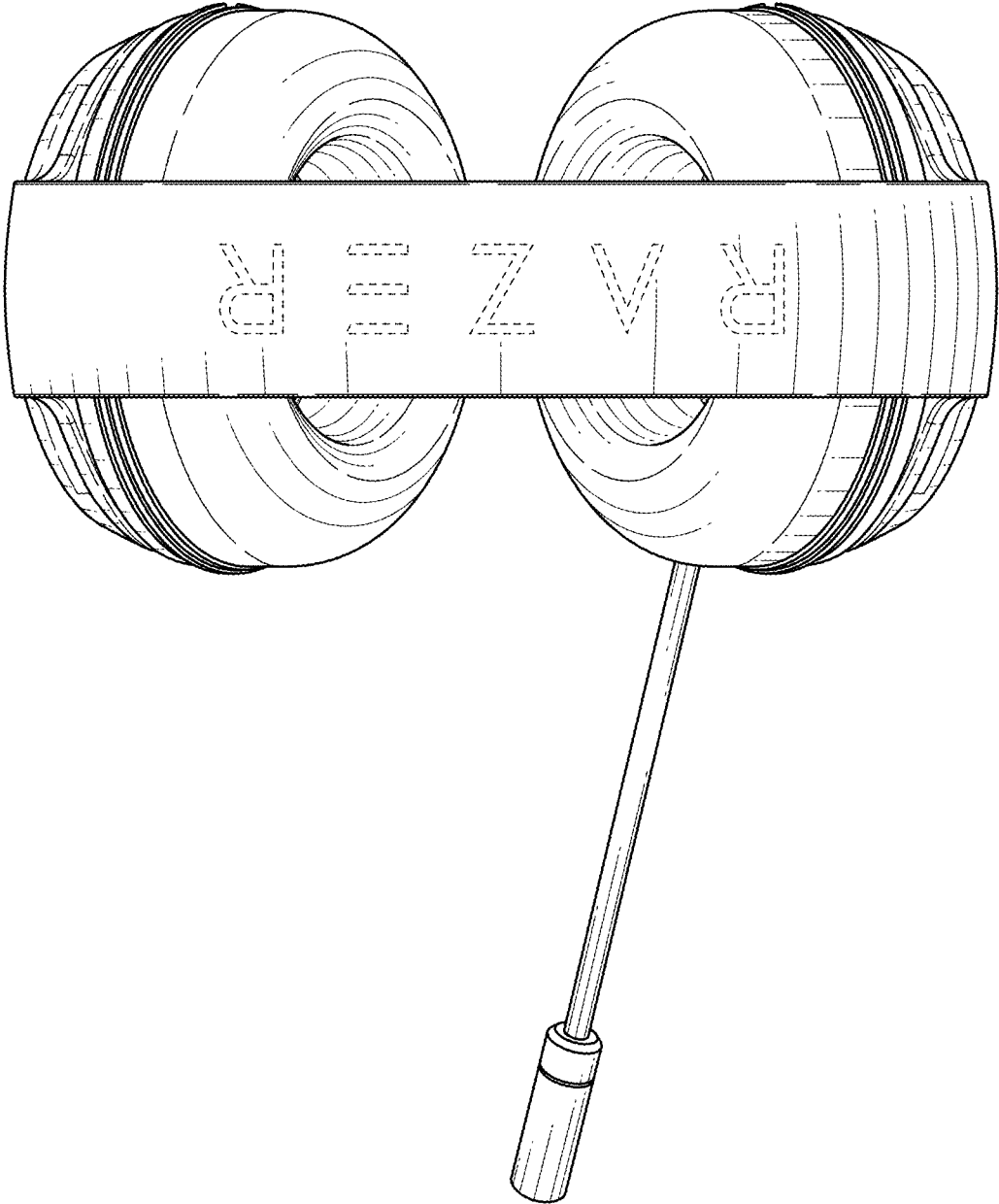


FIG. 20

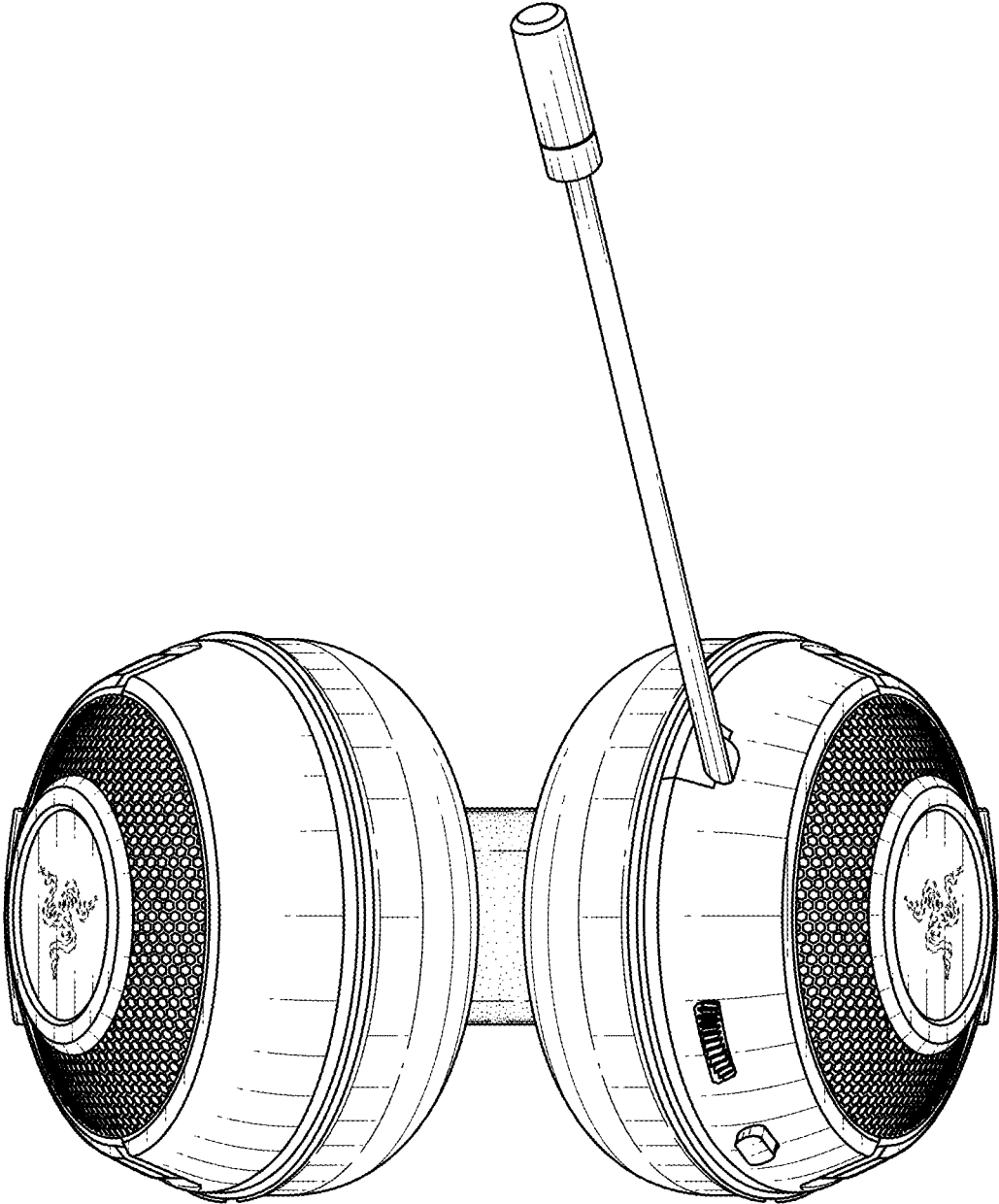


FIG. 21