



US00D970020S

(12) **United States Design Patent**
Jalinous

(10) **Patent No.:** **US D970,020 S**

(45) **Date of Patent:** **** *Nov. 15, 2022**

- (54) **DOUBLE COIL**
- (71) Applicant: **Reza Jalinous**, Winchester, MA (US)
- (72) Inventor: **Reza Jalinous**, Winchester, MA (US)
- (*) Notice: This patent is subject to a terminal disclaimer.
- (**) Term: **15 Years**
- (21) Appl. No.: **29/690,605**
- (22) Filed: **May 9, 2019**
- (51) **LOC (13) Cl.** **24-02**
- (52) **U.S. Cl.**
USPC **D24/187**
- (58) **Field of Classification Search**
USPC D24/186, 187, 190, 191, 200, 214, 215;
D10/81
CPC A61N 2/008
See application file for complete search history.

10,589,086	B2 *	3/2020	Sacristan	A61N 1/40
10,589,117	B1 *	3/2020	Fischell	A61N 2/008
D882,092	S *	4/2020	Rheineck	D24/158
D886,304	S *	6/2020	Galkina	D24/187
2013/0267763	A1 *	10/2013	Schneider	A61N 2/008 600/13
2013/0303827	A1 *	11/2013	Feng	A61H 23/06 600/9
2013/0317281	A1 *	11/2013	Schneider	A61N 2/008 600/13
2014/0039573	A1 *	2/2014	Jindra	A61N 1/3603 607/48

OTHER PUBLICATIONS

Air Cooled Curved Double Coil. Online, published date unknown. Retrieved on Jul. 15, 2020 from URL: https://www.jaltron-coils.com/air-cooled-curved-double-coil.*

* cited by examiner

Primary Examiner — Omeed Agilee
(74) *Attorney, Agent, or Firm* — Lambert Shortell & Connaughton; David J. Connaughton, Jr.

(56) **References Cited**

U.S. PATENT DOCUMENTS

D112,023	S	11/1938	Martinsson	
D318,330	S	7/1991	Doty	
D357,069	S	4/1995	Plahn	
D442,694	S *	5/2001	Cheng	D24/200
D482,453	S *	11/2003	Wade	D24/200
D571,920	S	6/2008	Juliana	
D607,712	S	1/2010	Kelleghan	
D699,359	S	2/2014	Lindekugel	
D716,457	S *	10/2014	Brefka	D24/186
D735,873	S *	8/2015	Brefka	D24/200
D742,535	S	11/2015	Wu	
D770,635	S	11/2016	Cole	
D770,992	S	11/2016	Tauchi	
D776,822	S	1/2017	McKinley	
D810,952	S *	2/2018	Hsu	D24/200
D813,405	S *	3/2018	Ho	D24/200
D861,905	S *	10/2019	Ho	D24/200

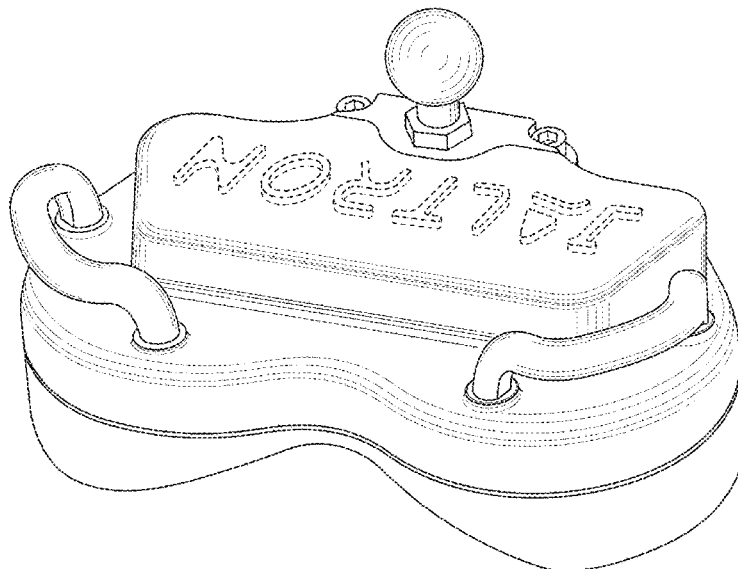
(57) **CLAIM**

The ornamental design for a double coil, as shown and described.

DESCRIPTION

FIG. 1 is an isometric view of the front of a double coil, which embodies my design;
FIG. 2 is a side view of the double coil;
FIG. 3 is a side view of the double coil;
FIG. 4 is a top plan view of the double coil;
FIG. 5 is a bottom plan view of the double coil;
FIG. 6 is a side view of the double coil; and,
FIG. 7 is a side view of the double coil.
The broken lines depict portions of the double coil that form no part of the claimed design.

1 Claim, 4 Drawing Sheets



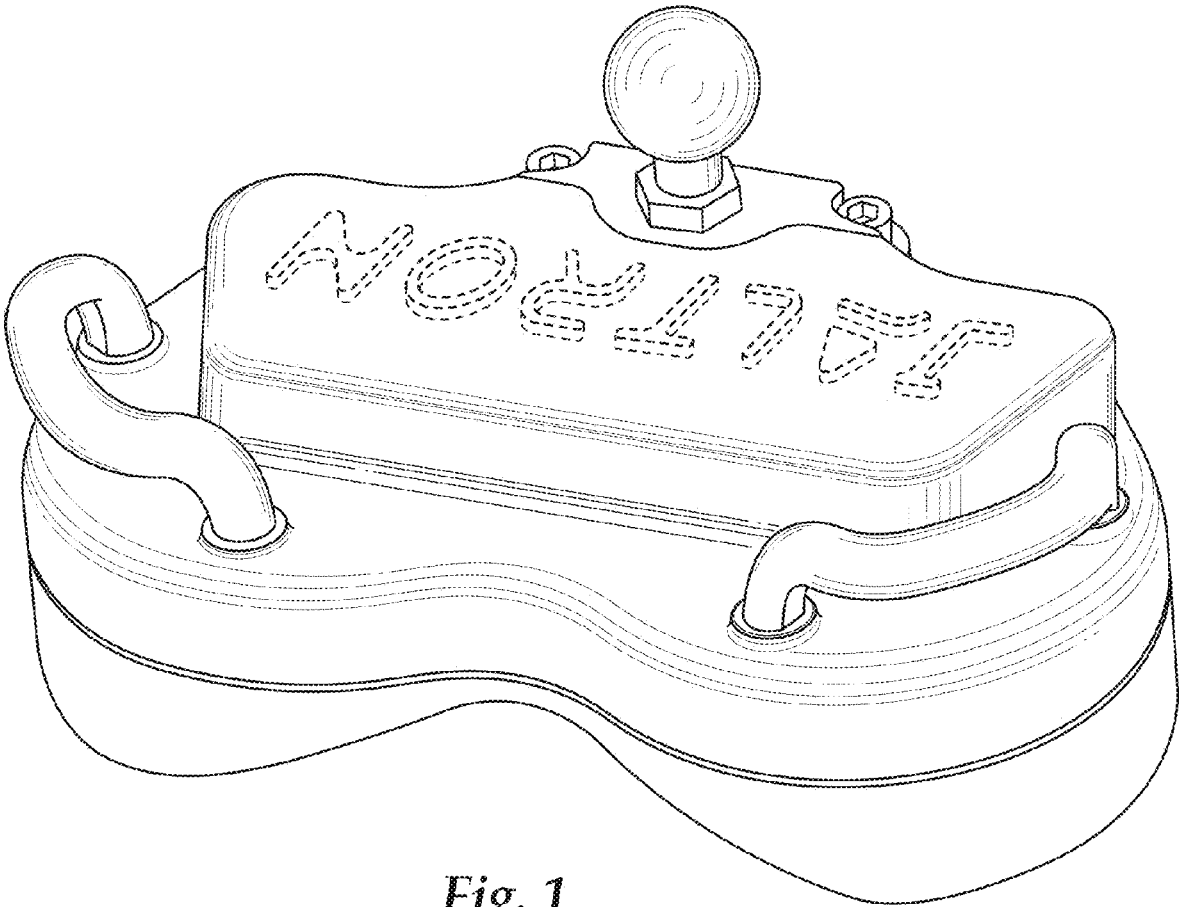


Fig. 1

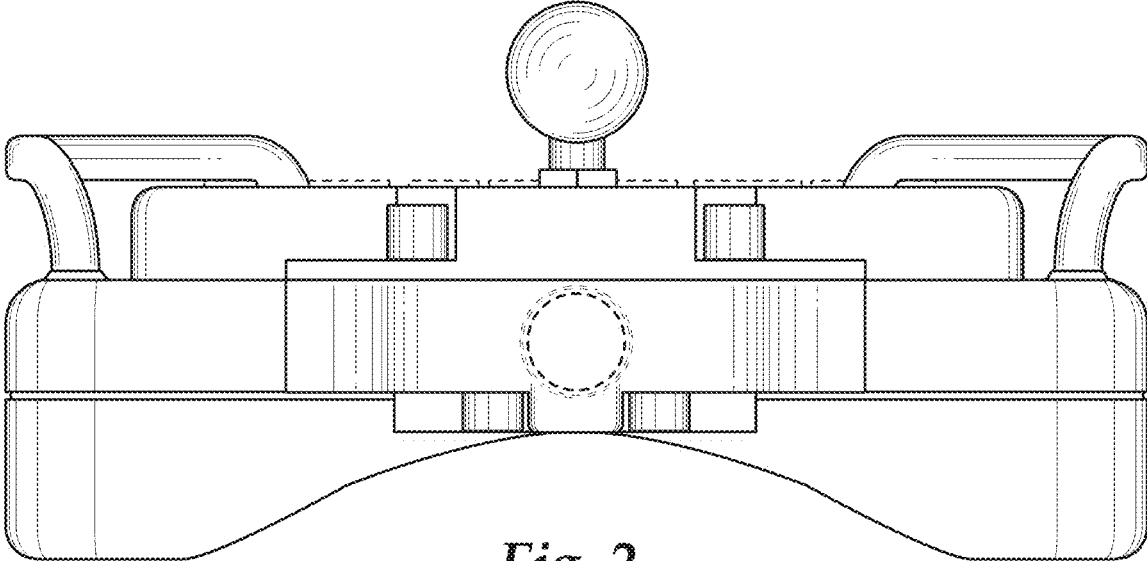


Fig. 2

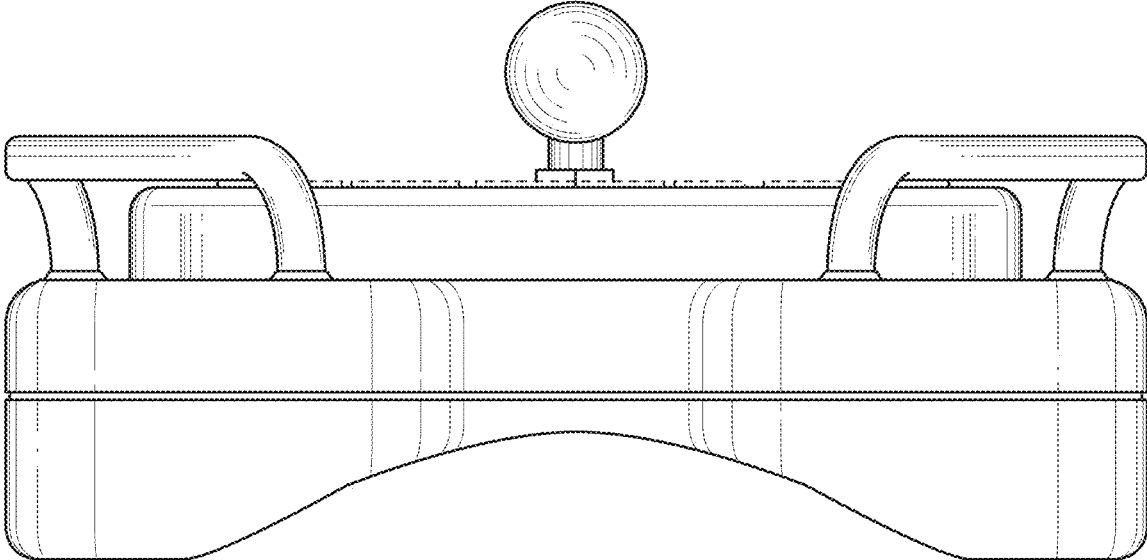


Fig. 3

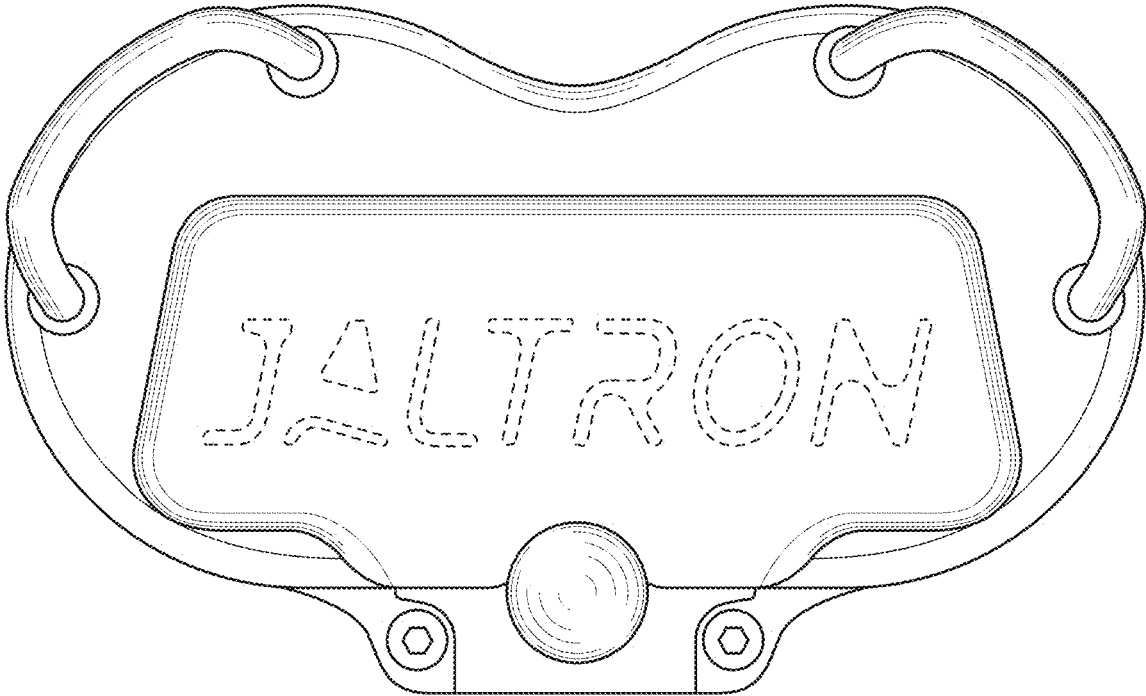


Fig. 4

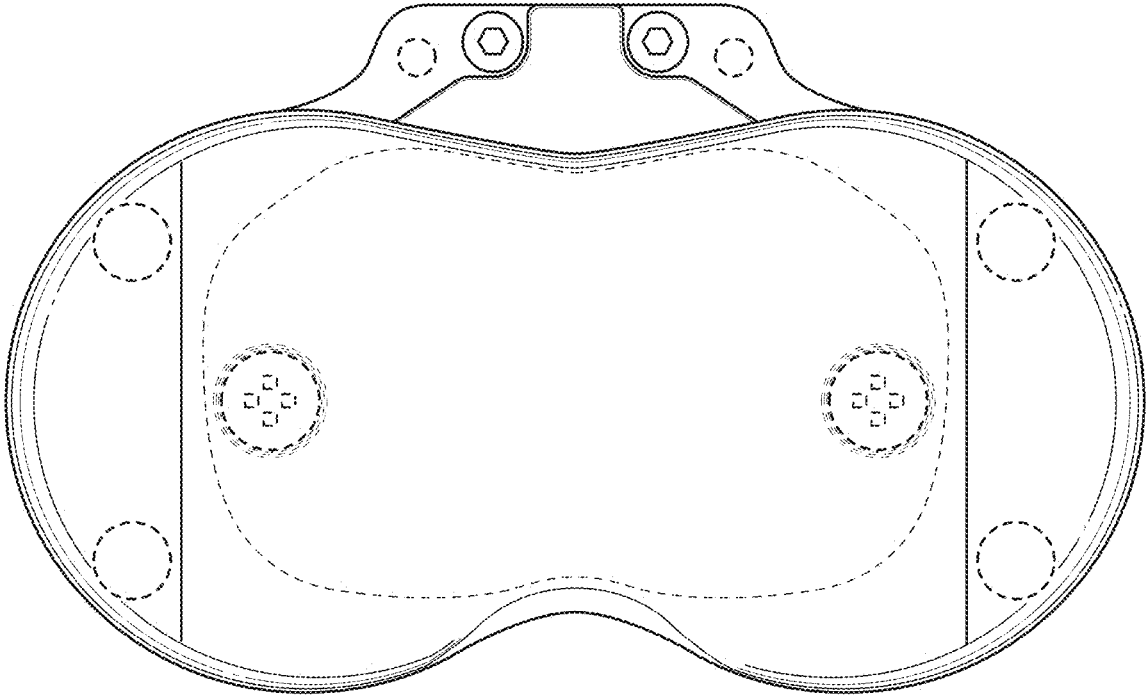


Fig. 5

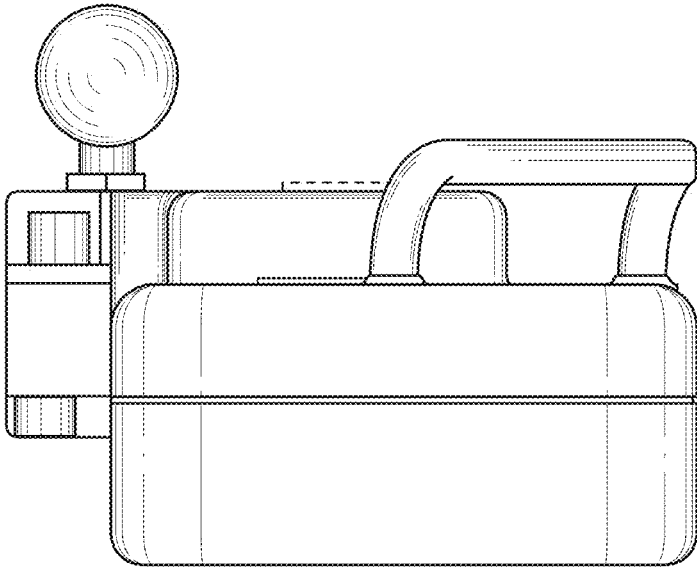


Fig. 6

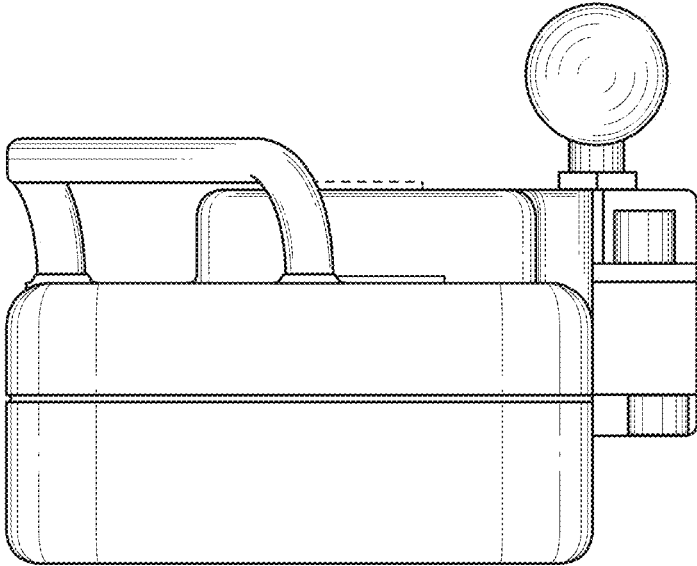


Fig. 7