



US0D1017602S

(12) **United States Design Patent**  
**Morisawa**

(10) **Patent No.:** **US D1,017,602 S**

(45) **Date of Patent:** **\*\* Mar. 12, 2024**

(54) **HEAD-MOUNTED DISPLAY**  
(71) Applicant: **SONY INTERACTIVE ENTERTAINMENT INC.**, Tokyo (JP)

D930,648 S \* 9/2021 Hosoda ..... D14/372  
D974,359 S \* 1/2023 Chiang ..... D14/372  
D976,901 S \* 1/2023 Huajun ..... D14/372

(Continued)

(72) Inventor: **Yujin Morisawa**, Kanagawa (JP)  
(73) Assignee: **SONY INTERACTIVE ENTERTAINMENT INC.**, Tokyo (JP)

**FOREIGN PATENT DOCUMENTS**

CN 305337097 S 9/2019  
CN 305792257 S 5/2020  
JP D1488641 S 1/2015

(Continued)

(\*\*) Term: **15 Years**  
(21) Appl. No.: **29/849,206**  
(22) Filed: **Aug. 9, 2022**

**OTHER PUBLICATIONS**

Mar. 6, 2023, Taiwanese Office Action issued for related TW Application No. 111303963.

(30) **Foreign Application Priority Data**  
Feb. 22, 2022 (JP) ..... 2022-003428 D

*Primary Examiner* — Austin Murphy  
(74) *Attorney, Agent, or Firm* — Paratus Law Group, PLLC

(51) **LOC (14) Cl.** ..... **14-02**  
(52) **U.S. Cl.** ..... **D14/372**

(57) **CLAIM**  
The ornamental design for a head-mounted display, as shown and described.

(58) **Field of Classification Search**  
USPC ..... D14/372, 496, 432, 371, 125, 126, 129, D14/299; D16/300-342; 351/158, 153, 351/144; 345/7-9, 905; 455/344; 348/115, 53, 121, 739  
CPC ..... G02B 27/017; G02B 27/0158; G02B 27/0161; G02B 27/0181; G02B 27/0185; G02B 27/0189  
See application file for complete search history.

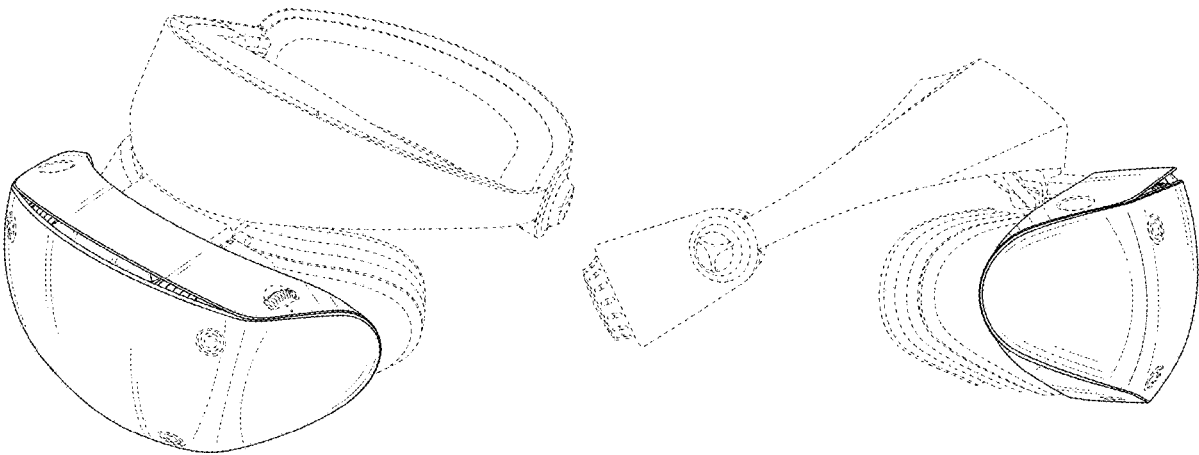
**DESCRIPTION**

FIG. 1 is a perspective view of front, top and right side of a head-mounted display showing my new design; FIG. 2 is a perspective view of front, bottom and right side thereof; FIG. 3 is a perspective view of rear, top and left side thereof; FIG. 4 is a perspective view of rear, bottom and left side thereof; FIG. 5 is a front view thereof; FIG. 6 is a rear view thereof; FIG. 7 is a left side view thereof; FIG. 8 is a right side view thereof; FIG. 9 is a top view thereof; and, FIG. 10 is a bottom view thereof.

The broken lines depict portions of the head-mounted display that form no part of the claimed design.

(56) **References Cited**  
**U.S. PATENT DOCUMENTS**  
D778,909 S 2/2017 Nokuo  
D836,628 S 12/2018 Chen et al.  
D900,099 S \* 10/2020 Park ..... D14/372  
D910,015 S \* 2/2021 Amijo ..... D14/372  
D910,017 S \* 2/2021 Amijo ..... D14/372  
D918,203 S \* 5/2021 Chen ..... D14/372  
D925,530 S \* 7/2021 Morris ..... D14/372

**1 Claim, 10 Drawing Sheets**



(56)

**References Cited**

U.S. PATENT DOCUMENTS

D976,902 S \* 1/2023 Huajun ..... D14/372

FOREIGN PATENT DOCUMENTS

JP	D1574617 S	4/2018
JP	D1660674 S	5/2021
TW	D174730 S	4/2016
TW	D199295 S	8/2019
TW	D201365 S	12/2019

\* cited by examiner

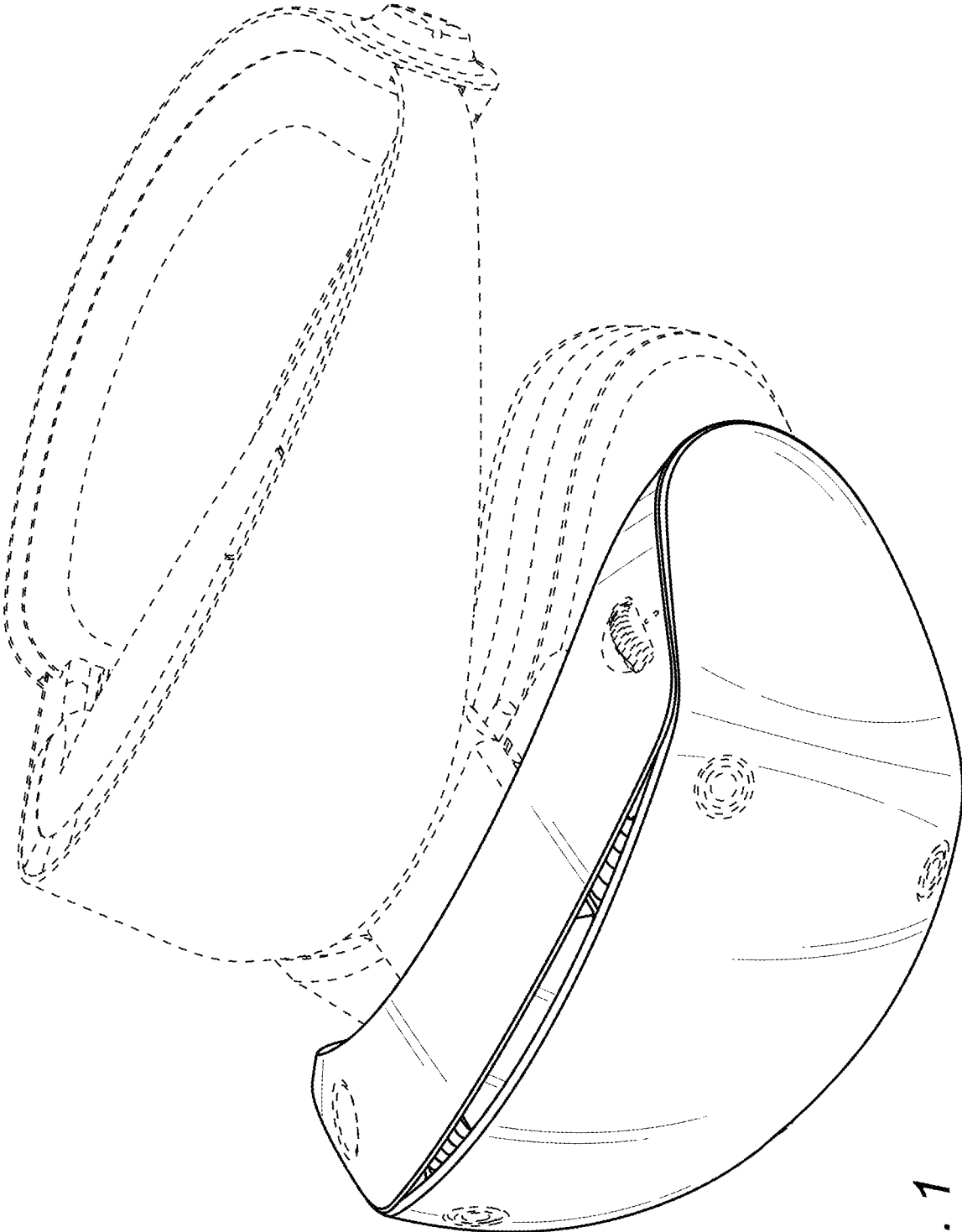


FIG. 1

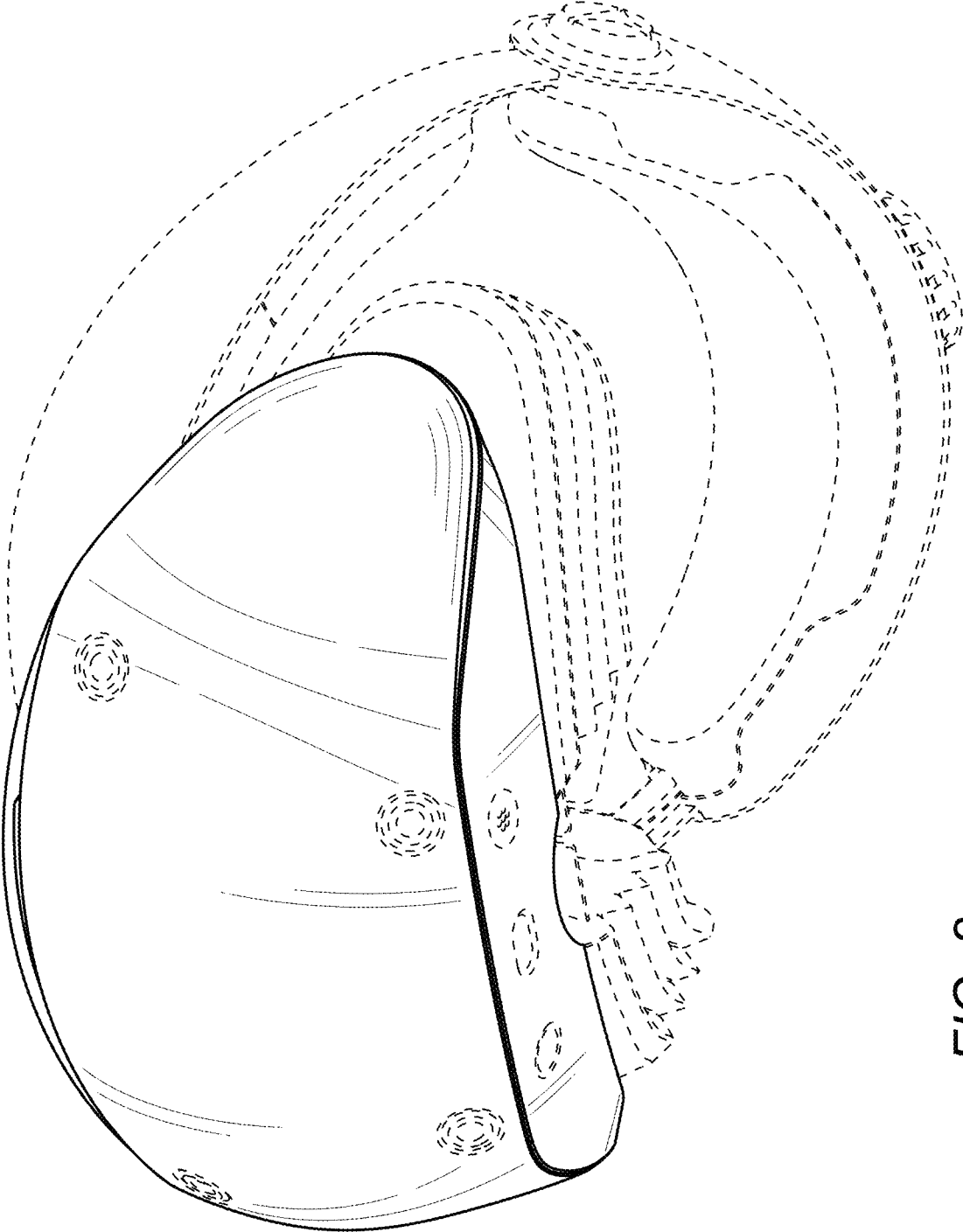


FIG. 2

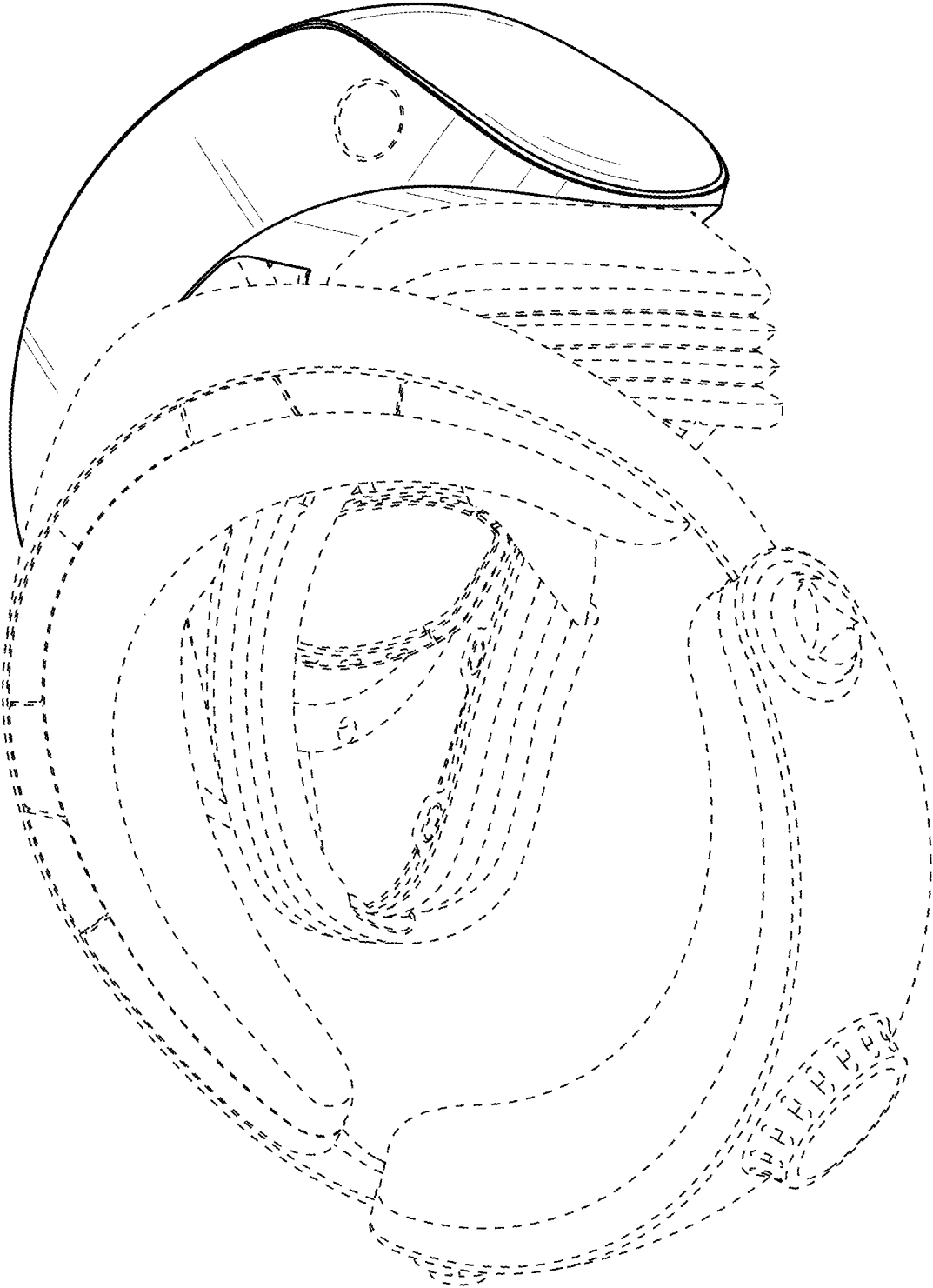


FIG. 3

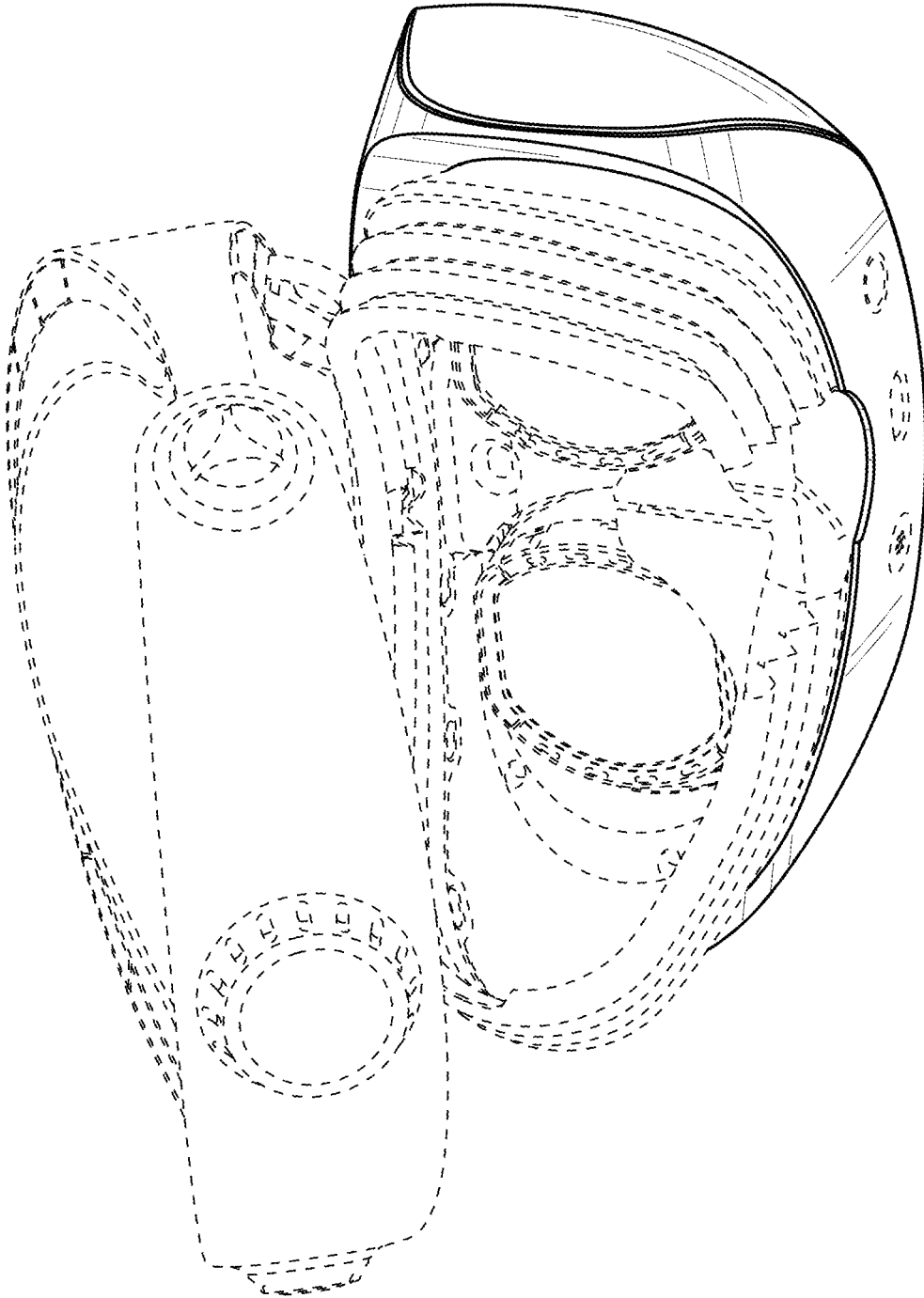


FIG. 4

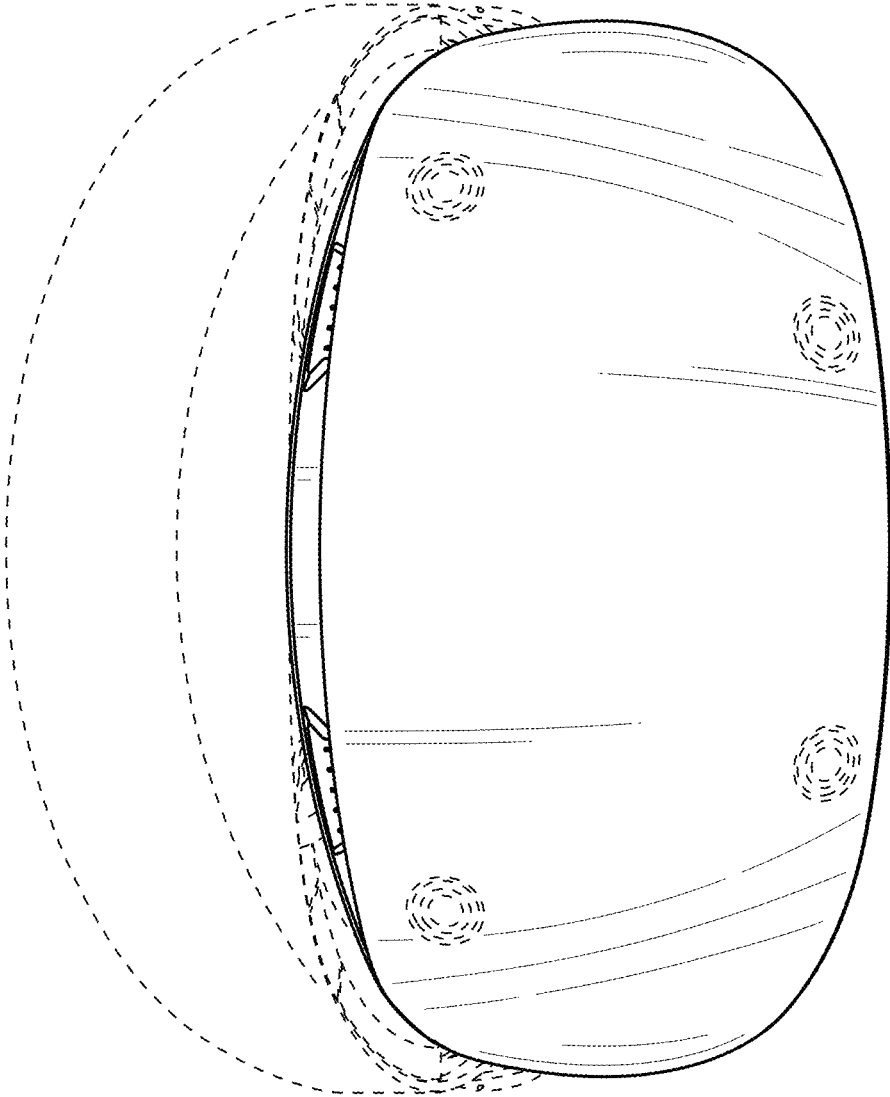


FIG. 5

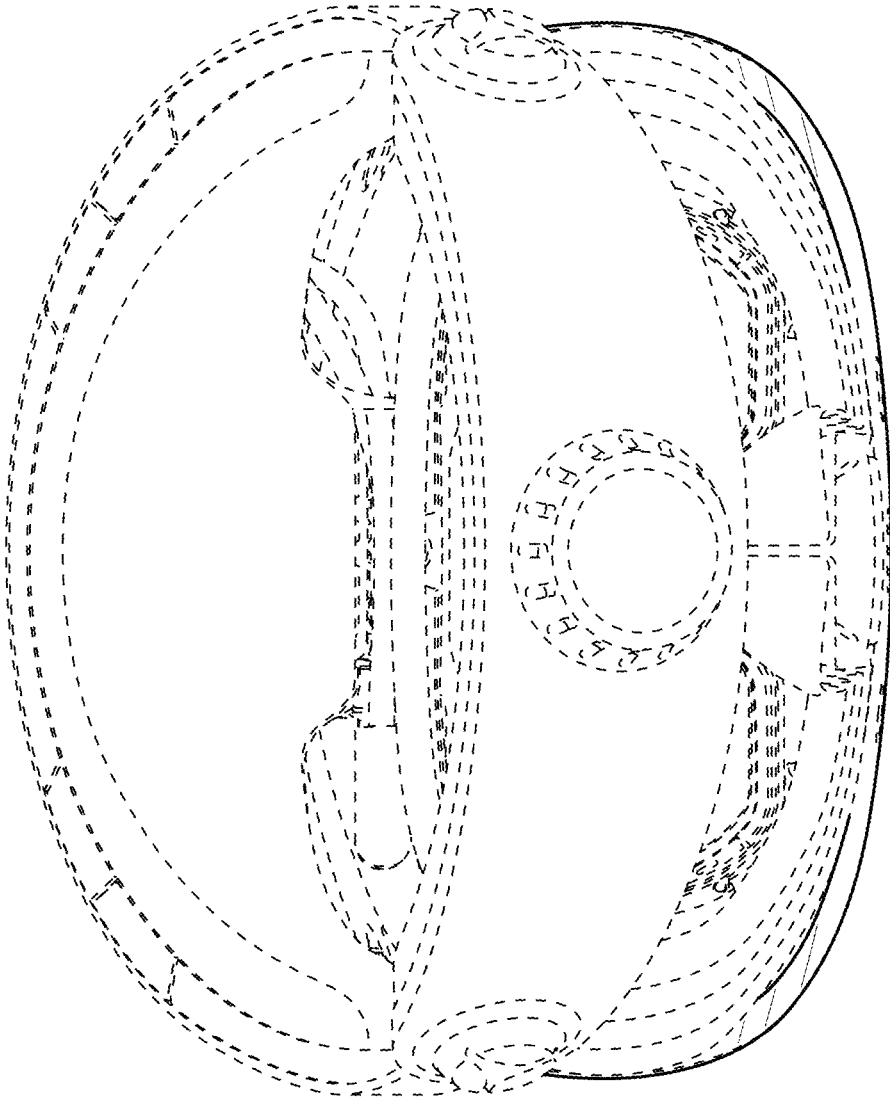


FIG. 6



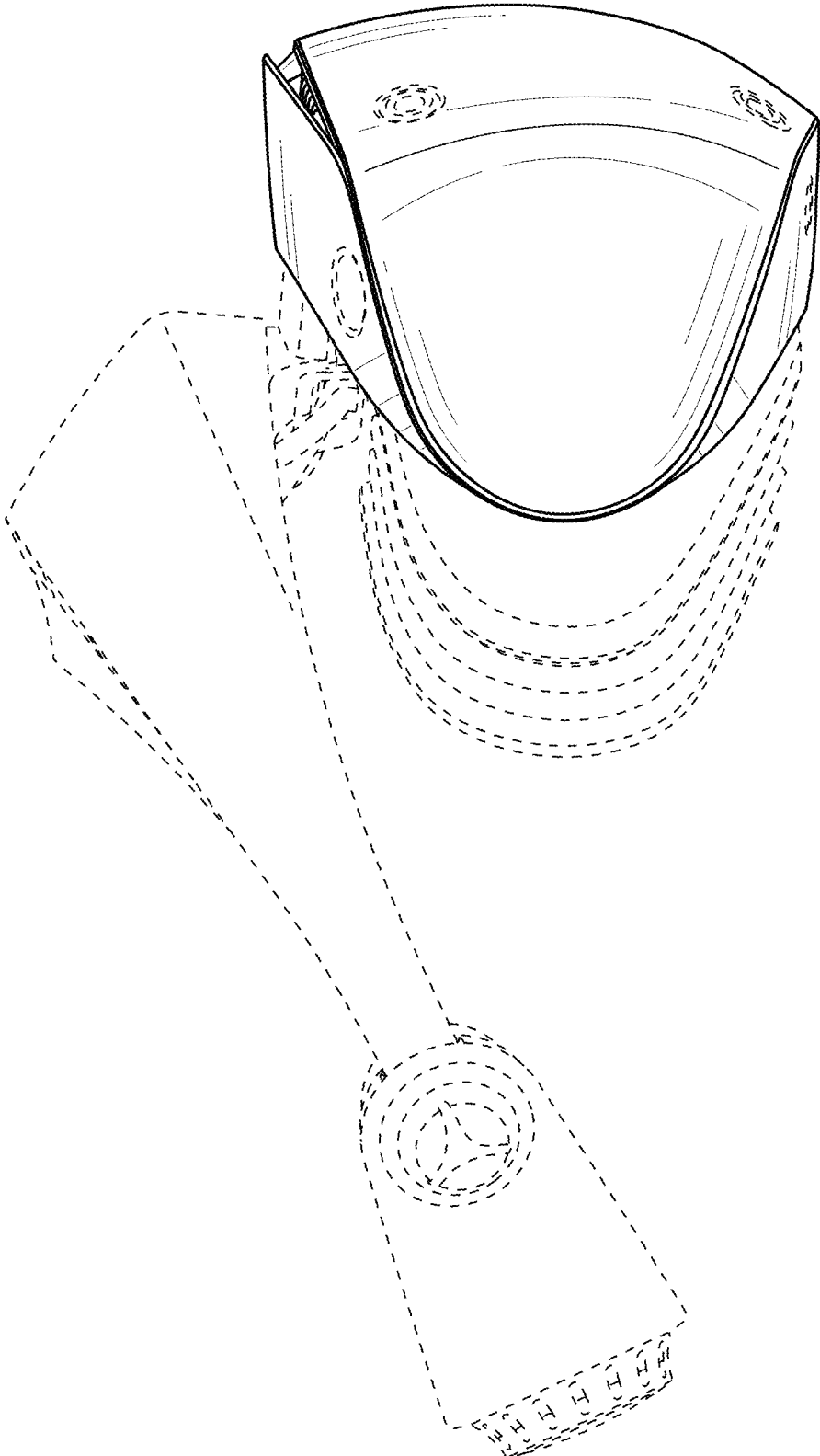


FIG. 7

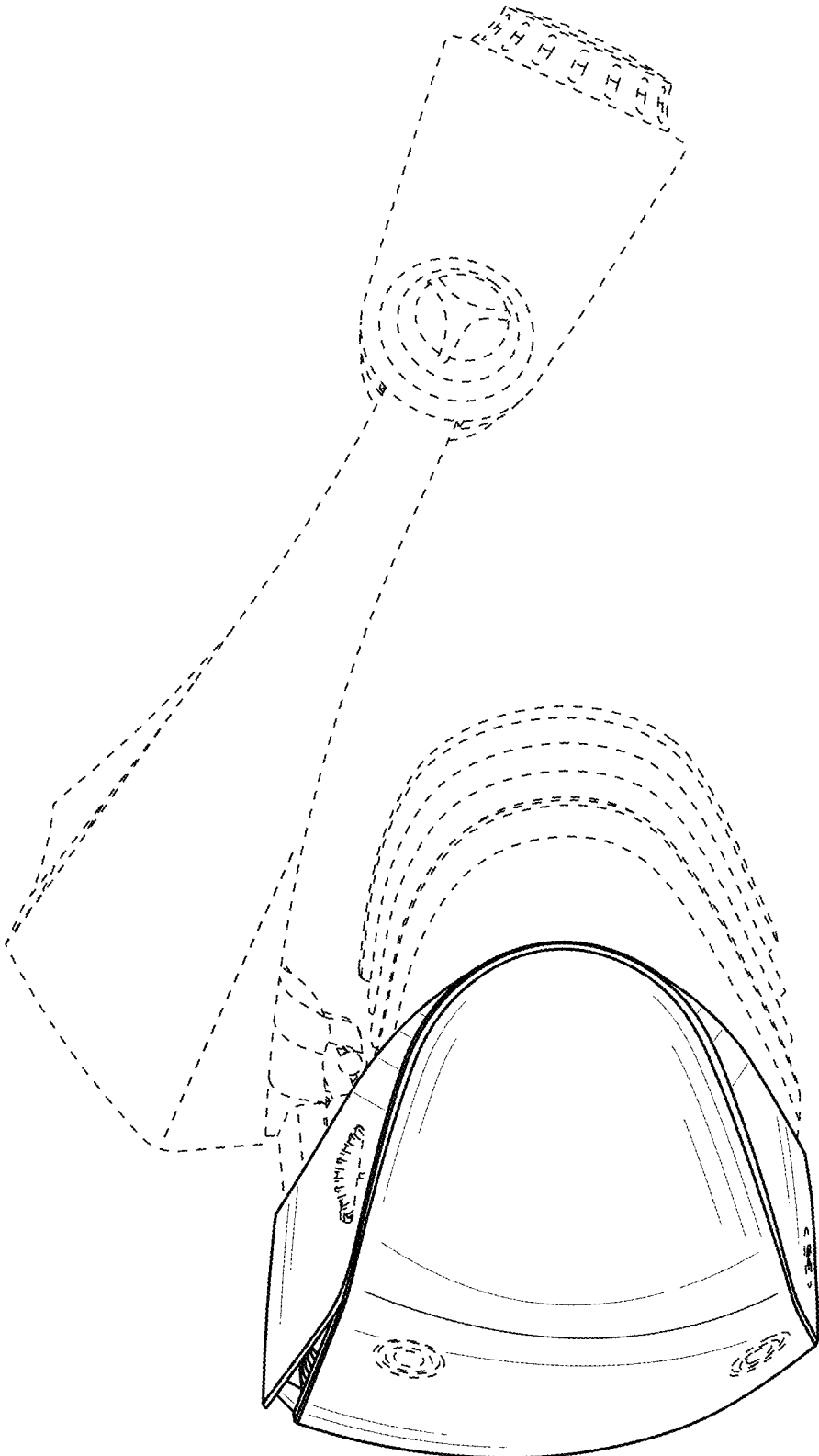


FIG. 8

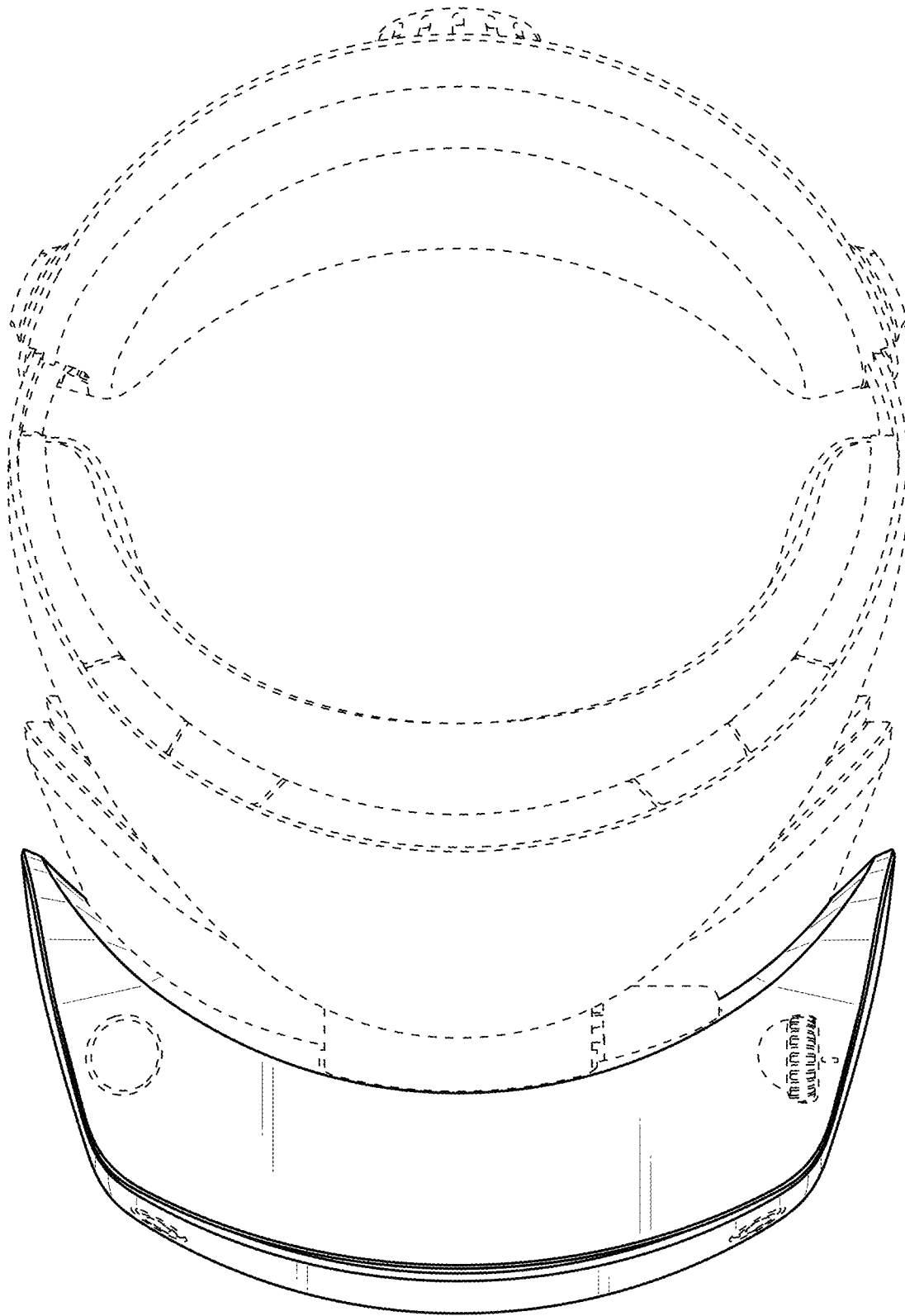


FIG. 9

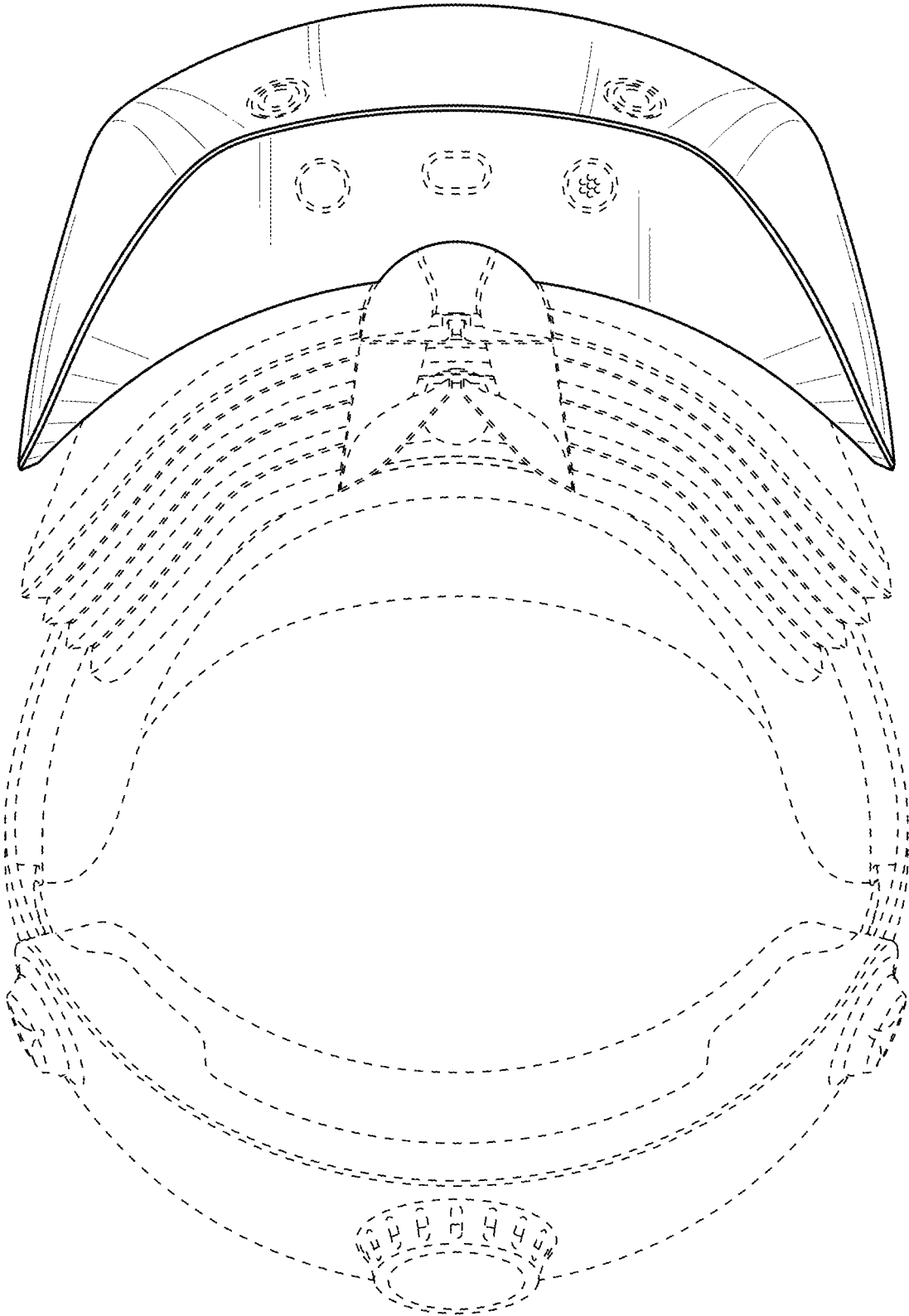


FIG. 10