

(19) World Intellectual Property Organization
International Bureau



(43) International Publication Date
23 February 2006 (23.02.2006)

PCT

(10) International Publication Number
WO 2006/020987 A3

(51) International Patent Classification:
G02B 7/182 (2006.01) G02B 26/00 (2006.01)

KG, KM, KP, KR, KZ, LC, LK, LR, LS, LT, LU, LV, MA, MD, MG, MK, MN, MW, MX, MZ, NA, NG, NI, NO, NZ, OM, PG, PH, PL, PT, RO, RU, SC, SD, SE, SG, SK, SL, SM, SY, TJ, TM, TN, TR, TT, TZ, UA, UG, US, UZ, VC, VN, YU, ZA, ZM, ZW.

(21) International Application Number:
PCT/US2005/029099

(22) International Filing Date: 15 August 2005 (15.08.2005)

(84) Designated States (unless otherwise indicated, for every kind of regional protection available): ARIPO (BW, GH, GM, KE, LS, MW, MZ, NA, SD, SL, SZ, TZ, UG, ZM, ZW), Eurasian (AM, AZ, BY, KG, KZ, MD, RU, TJ, TM), European (AT, BE, BG, CH, CY, CZ, DE, DK, EE, ES, FI, FR, GB, GR, HU, IE, IS, IT, LT, LU, LV, MC, NL, PL, PT, RO, SE, SI, SK, TR), OAPI (BF, BJ, CF, CG, CI, CM, GA, GN, GQ, GW, ML, MR, NE, SN, TD, TG).

(25) Filing Language: English

(26) Publication Language: English

(30) Priority Data:
10/918,677 14 August 2004 (14.08.2004) US

(71) Applicant and

Published:

(72) Inventor: ISHII, Fusao [US/US]; 350 Sharon Park Drive, G26, Menlo Park, CA 94025 (US).

- with international search report
- before the expiration of the time limit for amending the claims and to be republished in the event of receipt of amendments

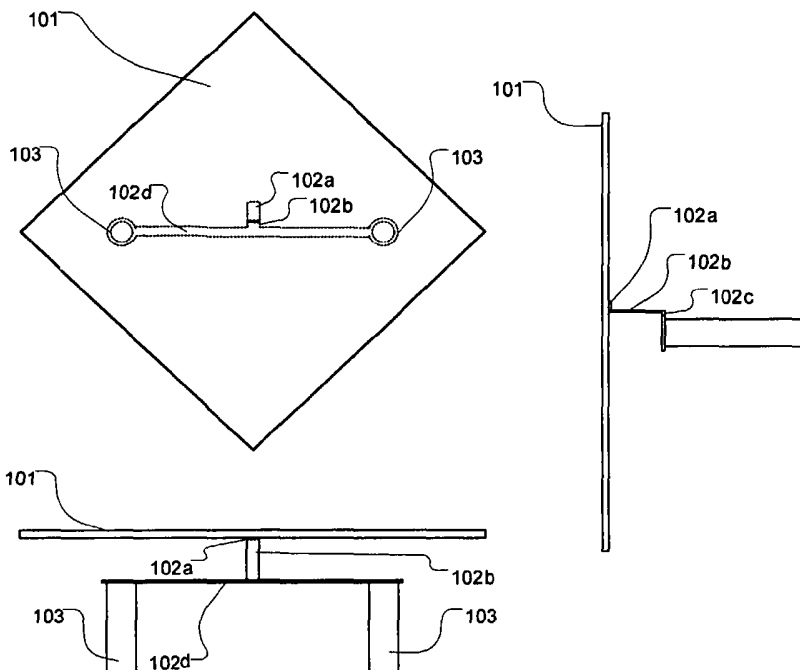
(74) Agent: LIN, Bo-In; 13445 Mandoli Drive, Los Altos Hills, CA 94022 (US).

(81) Designated States (unless otherwise indicated, for every kind of national protection available): AE, AG, AL, AM, AT, AU, AZ, BA, BB, BG, BR, BW, BY, BZ, CA, CH, CN, CO, CR, CU, CZ, DE, DK, DM, DZ, EC, EE, EG, ES, FI, GB, GD, GE, GH, GM, HR, HU, ID, IL, IN, IS, JP, KE,

(88) Date of publication of the international search report:
1 June 2006

For two-letter codes and other abbreviations, refer to the "Guidance Notes on Codes and Abbreviations" appearing at the beginning of each regular issue of the PCT Gazette.

(54) Title: HINGE FOR MICRO-MIRROR DEVICES



(57) Abstract: An improved hinge for a micro-mirror device composed of a conductive doped semiconductor and immune to plastic deformation at typical to extreme temperatures. The hinge is directly connected to the micro-mirror device and facilitates the manufacturing of an optically flat micro-mirror. This eliminates Fraunhofer diffraction due to recesses on the reflective surface of the micromirror. In addition, the hinge is hidden from incoming light thus improving contrast and fill-factor.

WO 2006/020987 A3

INTERNATIONAL SEARCH REPORT

International application No.

PCT/US05/29099

A. CLASSIFICATION OF SUBJECT MATTER
 IPC: **G02B 7/182(2006.01),26/00(2006.01)**

USPC: 359/290,291,871
 According to International Patent Classification (IPC) or to both national classification and IPC

B. FIELDS SEARCHED

Minimum documentation searched (classification system followed by classification symbols)
 U.S. : 359/290, 291, 871

Documentation searched other than minimum documentation to the extent that such documents are included in the fields searched
 NONE

Electronic data base consulted during the international search (name of data base and, where practicable, search terms used)
 Please See Continuation Sheet

C. DOCUMENTS CONSIDERED TO BE RELEVANT

Category *	Citation of document, with indication, where appropriate, of the relevant passages	Relevant to claim No.
X	US 2004/0061961 A1 (VALETTE) 01 April 2004 (01.04.2004) see entire document.	1-19
A	US 3,886,310 A (GULDBERG et al) 27 May 1975 (27.05.1975) see entire document.	1-19
A, E	US 2005/0111119 A1 (OLDHAM et al) 26 May 2005 (26.05.2005) see entire document.	1-19
A	US 5,552,924 A (TREGILGAS) 03 September 1996 (03.09.1996) see entire document.	1-19
A	US 5,699,181 A (CHOI) 16 December 1997 (16.12.1997) see entire document.	1-19
A	US 5,631,782 A (SMITH et al) 20 May 1997 (20.05.1997) see entire document.	1-19
A	US 6,198,180 B1 (GARCIA) 06 March 2001 (06.03.2001) see entire document.	1-19

Further documents are listed in the continuation of Box C. See patent family annex.

* Special categories of cited documents:	"T" later document published after the international filing date or priority date and not in conflict with the application but cited to understand the principle or theory underlying the invention
"A" document defining the general state of the art which is not considered to be of particular relevance	"X" document of particular relevance; the claimed invention cannot be considered novel or cannot be considered to involve an inventive step when the document is taken alone
"B" earlier application or patent published on or after the international filing date	"Y" document of particular relevance; the claimed invention cannot be considered to involve an inventive step when the document is combined with one or more other such documents, such combination being obvious to a person skilled in the art
"L" document which may throw doubts on priority claim(s) or which is cited to establish the publication date of another citation or other special reason (as specified)	"&" document member of the same patent family
"O" document referring to an oral disclosure, use, exhibition or other means	
"P" document published prior to the international filing date but later than the priority date claimed	

Date of the actual completion of the international search: **27 March 2006 (27.03.2006)**

Date of mailing of the international search report: **07 APR 2006**

Name and mailing address of the ISA/US:
 Mail Stop PCT, Attn: ISA/US
 Commissioner for Patents
 P.O. Box 1450
 Alexandria, Virginia 22313-1450
 Facsimile No. (571) 273-3201

Authorized officer: *Jose Dees*
 Telephone No. 571-272-1569

INTERNATIONAL SEARCH REPORT

International application No.
PCT/US05/29099

C. (Continuation) DOCUMENTS CONSIDERED TO BE RELEVANT

Category *	Citation of document, with indication, where appropriate, of the relevant passages	Relevant to claim No.
A	US 6,351,330 (KO et al) 26 February 2002 (26.02.2002) see entire document.	1-19
A	US 2003/0142383 A1 (NANJYO et al) 31 July 2003 (31.07.2003) see entire document.	1-19

INTERNATIONAL SEARCH REPORT

International application No.
PCT/US05/29099

Continuation of B. FIELDS SEARCHED Item 3:

EAST; US-PGPUB; USPAT; USOCR; EPO; JPO; DERWENT; IBM_TDB; ("359").CLAS. and ((digital adj microo\$1mirror) or "DMD"0 and ((spatial adj light adj modulator) or "SLM") and (micor or MEMS) and (microo\$mirror or MEMS).