



(12) **United States Design Patent**
Janiszewski et al.

(10) **Patent No.:** **US D951,010 S**
(45) **Date of Patent:** **** May 10, 2022**

- (54) **ADAPTER FOR BOTTLE**
- (71) Applicants: **Maura Janiszewski**, Florham Park, NJ (US); **Michael Janiszewski**, Florham Park, NJ (US)
- (72) Inventors: **Maura Janiszewski**, Florham Park, NJ (US); **Michael Janiszewski**, Florham Park, NJ (US)
- (**) Term: **15 Years**

5,050,759 A * 9/1991 Marble A47G 19/2272
220/705
6,269,968 B1 * 8/2001 Belcastro A47G 19/2272
220/203.18
D467,174 S * 12/2002 Mozes D9/435
D627,595 S * 11/2010 Jennings D7/392.1
D630,510 S * 1/2011 Yacktmann D9/447
D708,518 S * 7/2014 Ivosevic D9/445
D873,136 S * 1/2020 Sima D9/447
10,918,231 B1 * 2/2021 Jain A47G 19/2272
2001/0035420 A1 * 11/2001 Fusco A47G 19/2272
220/714

(Continued)

(21) Appl. No.: **29/763,023**

(22) Filed: **Dec. 21, 2020**

(51) **LOC (13) Cl.** **07-99**

(52) **U.S. Cl.** **D7/392.1; D9/447**

(58) **Field of Classification Search**

USPC D7/550.1, 554.2, 387, 391, 392, 392.1,
D7/396.1, 396.2, 397, 398, 558, 624.1,
D7/667, 388, 403, 407, 408, 409;
D9/723, 724, 434, 435, 436, 438, 443,
D9/445, 447, 448, 449, 450, 452, 453,
D9/454; D23/206, 209, 259, 260, 261,
D23/397

CPC B65D 43/0208; B65D 2231/022; B65D
2543/00027; B65D 2543/00092; B65D
2543/000296; B65D 2543/00342; B65D
2543/00509; B65D 2543/00518; B65D
2543/00537; B65D 2543/00731; B65D
2543/00814; B65D 41/34; B65D 41/3428;
B65D 51/22; B65D 51/268; B65D 51/44;
B65D 51/245; B65D 51/295; B65D 1/20;
B65D 2251/0018; B65D 2251/0071;
B65D 2251/02; B65D 47/103; B29C
51/22; B29C 51/268; B29C 51/44; B29C
45/0001; B29C 45/0081; A47G 19/2272

See application file for complete search history.

(56) **References Cited**

U.S. PATENT DOCUMENTS

D102,741 S * 1/1937 Bloomfield D9/447
5,024,341 A 6/1991 Dekerle

OTHER PUBLICATIONS

Re=Play No Spill Sippy Cup: announced Dec. 13, 2017 [online].
Site Visited [Dec. 13, 2021. Available from Internet URL: <https://re-play.com/products/no-spill-sippy-cup?variant=1893125488664>.*

(Continued)

Primary Examiner — Catherine S Posthauer
(74) *Attorney, Agent, or Firm* — Michael J. Feigin, Esq.;
Feigin and Fridman LLC

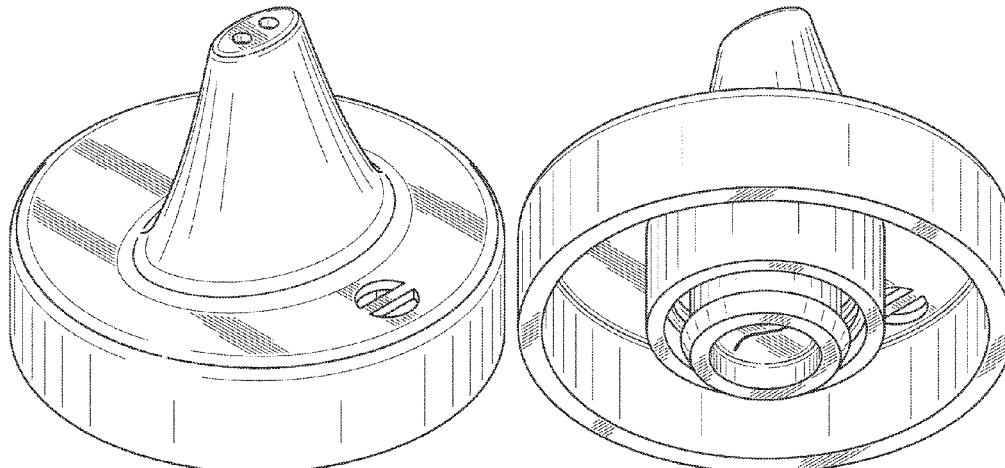
(57) **CLAIM**

The ornamental design for an adapter for bottle, as shown and described.

DESCRIPTION

FIG. 1 is a top, side, perspective view of an adapter for bottle;
FIG. 2 is a bottom, side, perspective view thereof;
FIG. 3 is a side elevation view thereof;
FIG. 4 is a side elevation view opposite that of FIG. 3;
FIG. 5 is a top plan view thereof;
FIG. 6 is a bottom plan view thereof; and,
FIG. 7 is another side elevation view thereof.

1 Claim, 6 Drawing Sheets



(56)

References Cited

U.S. PATENT DOCUMENTS

2002/0033399 A1* 3/2002 Manganiello B65D 51/165
220/714
2002/0190020 A1 12/2002 Noyd
2005/0067419 A1* 3/2005 Gordon A47G 19/2272
220/717
2005/0247719 A1* 11/2005 Loging A61J 7/0046
220/714
2006/0006184 A1* 1/2006 Bohman A47G 19/2272
220/717
2006/0081551 A1 4/2006 Hegg
2007/0012647 A1 1/2007 Almonte
2008/0149651 A1* 6/2008 Samson B65D 47/06
220/717
2008/0283537 A1* 11/2008 Smith A47G 19/2272
220/713
2009/0120894 A1 5/2009 Kario et al.
2011/0284589 A1* 11/2011 Serrano B65D 47/0885
222/556

OTHER PUBLICATIONS

Parent Units Sipping Spout: bbiybced Dec. 5, 2018 [online]. Site Visited [Dec. 13, 2021]. Available from Internet URL: https://www.amazon.com/Parent-Units-Sipping-Assorted-Bottles/dp/B0747QSHNP/ref=psdc_166779011_t2_B004K6LMW0.*

* cited by examiner

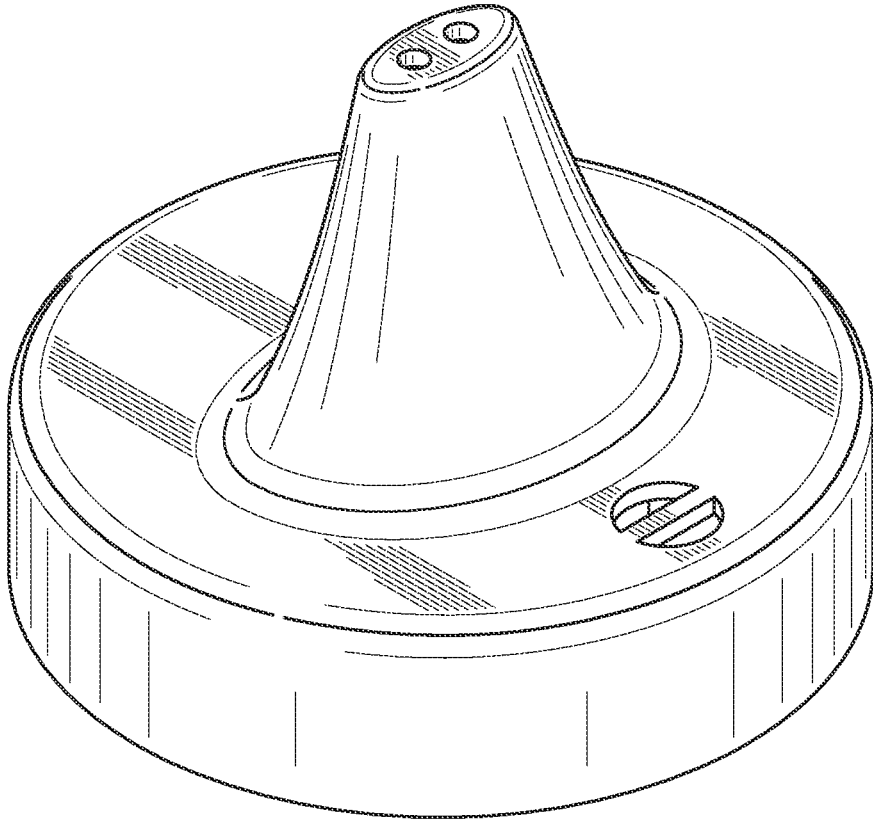


FIG. 1

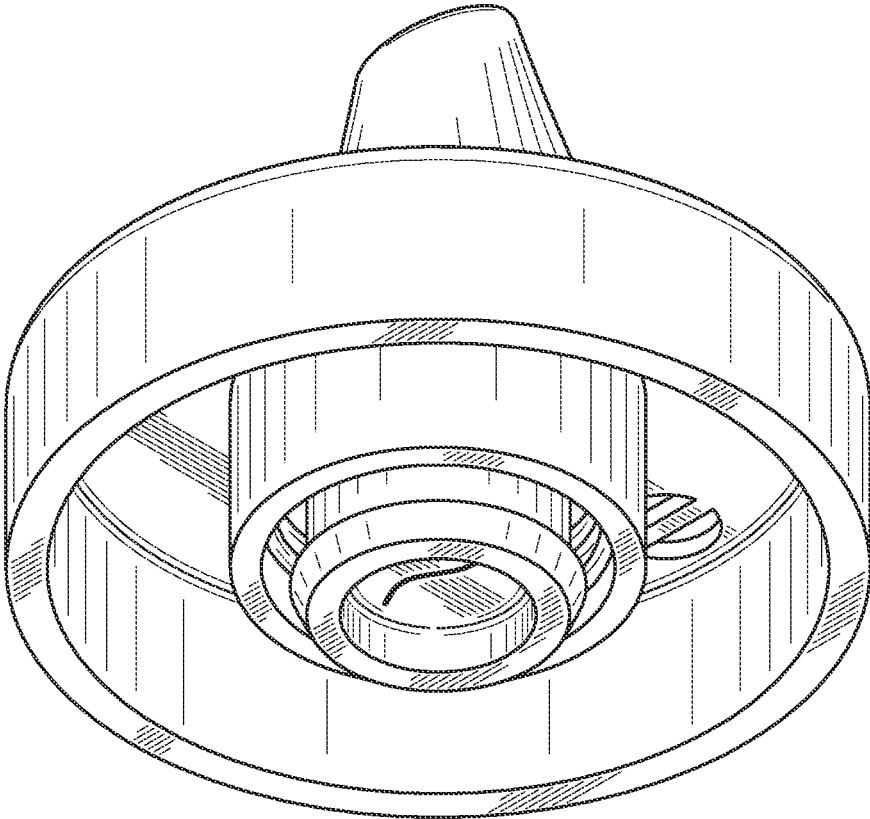


FIG. 2

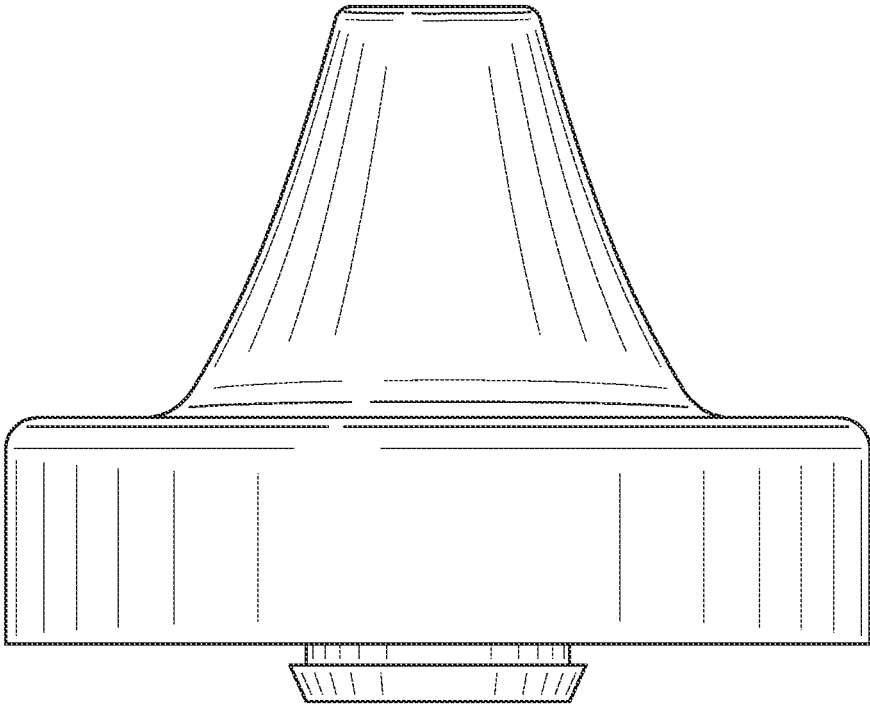


FIG. 3

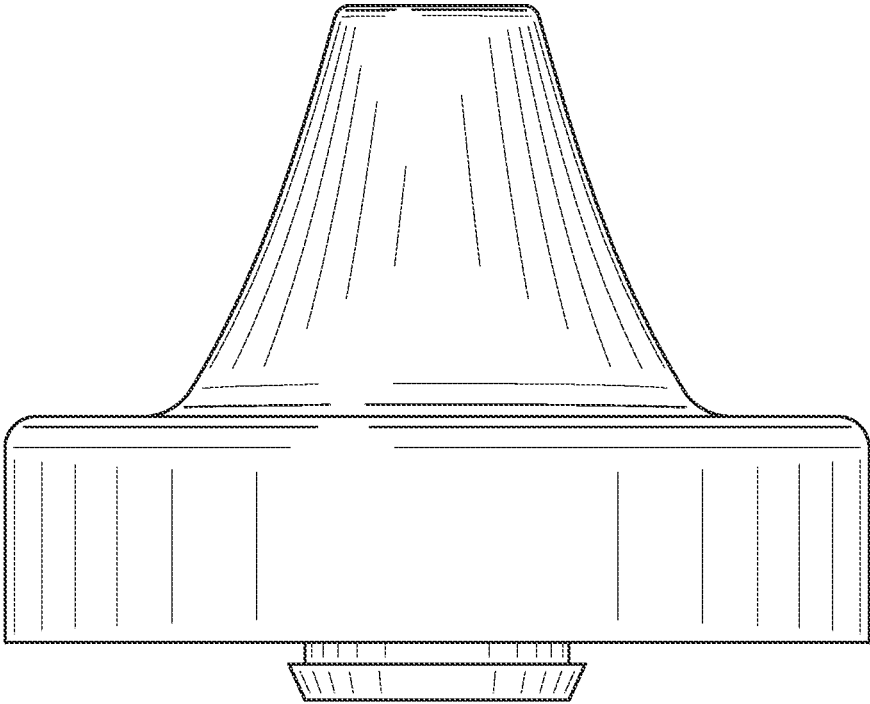


FIG. 4

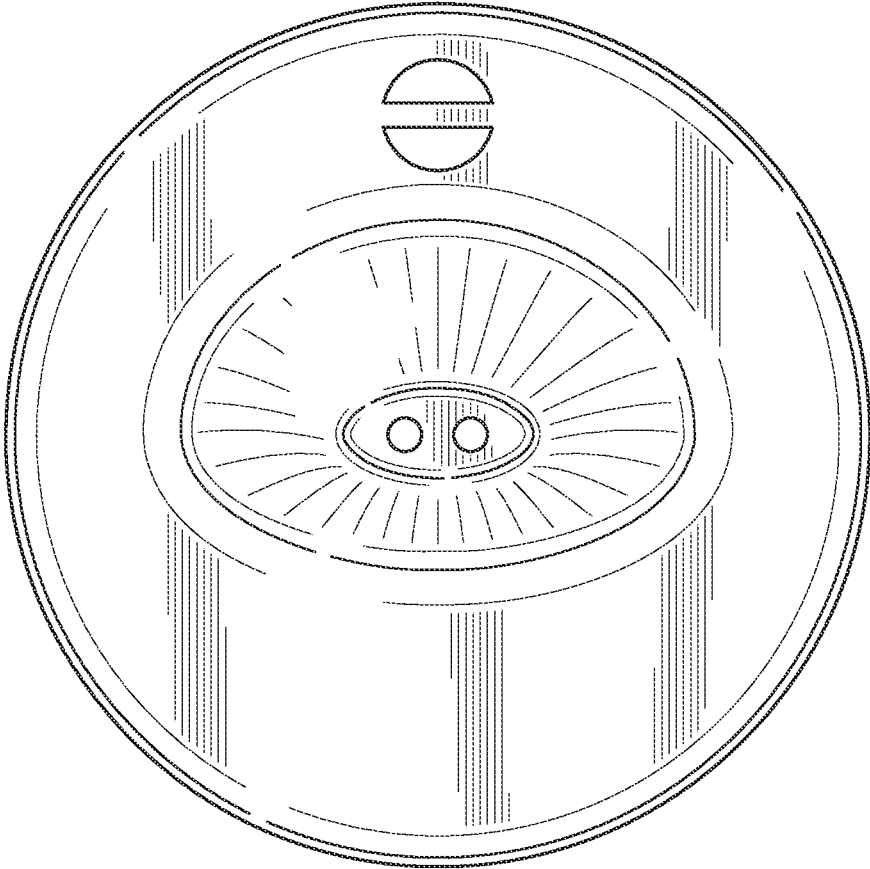


FIG. 5

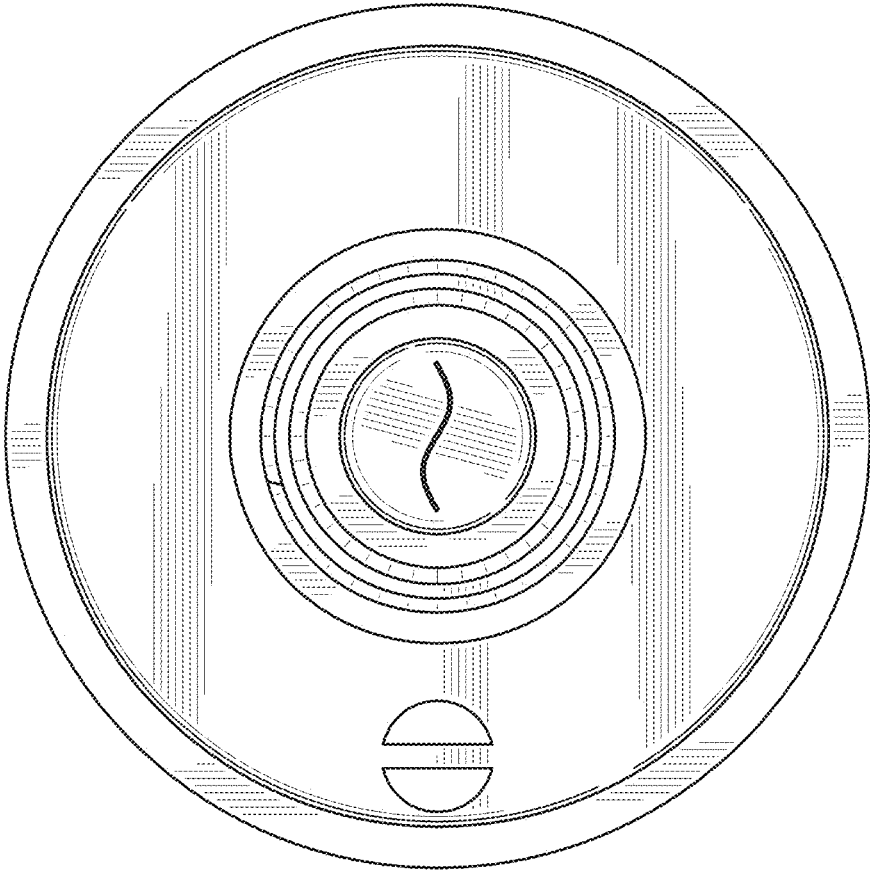


FIG. 6

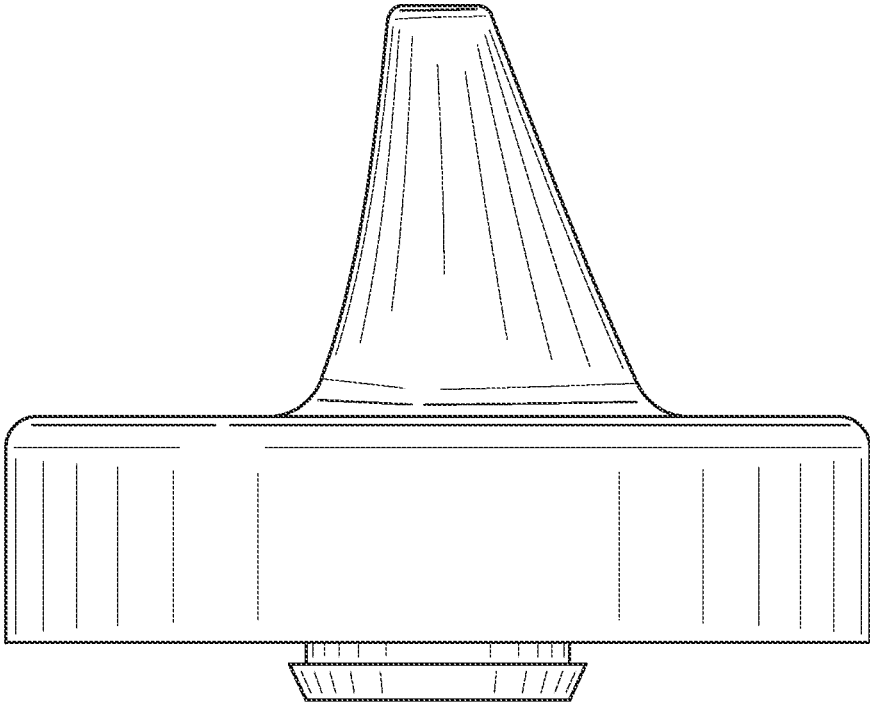


FIG. 7