



US00D963436S

(12) **United States Design Patent**  
**Chen**

(10) **Patent No.:** **US D963,436 S**

(45) **Date of Patent:** **\*\* Sep. 13, 2022**

- (54) **LUNCH BOX**
- (71) Applicant: **Haixia Chen**, Ruian (CN)
- (72) Inventor: **Haixia Chen**, Ruian (CN)
- (\*\*) Term: **15 Years**
- (21) Appl. No.: **29/819,410**
- (22) Filed: **Dec. 15, 2021**
- (51) **LOC (13) Cl.** ..... **07-01**
- (52) **U.S. Cl.**  
USPC ..... **D7/703; D7/629**
- (58) **Field of Classification Search**  
USPC ..... D7/605-607, 709, 710; D3/201,  
D3/203.1-203.8, 202-206  
CPC ..... F25D 3/08; F25D 3/02; F25D 3/04; F25D  
3/06; F25D 3/14; F25D 3/107; F25D  
2331/801; F25D 2331/804; B65D 81/38;  
B65D 81/3813; B65D 81/3816; B65D  
81/3818; B65D 81/382; B65D 81/3823;  
B65D 81/3825; B65D 81/3827; B65D  
81/383; B65D 81/3832; B65D 81/3834;  
B65D 81/3848; B65D 81/3851; B65D  
81/3853; B65D 81/3855; B65D 81/3858;  
B65D 81/386; B65D 81/3862; B65D  
81/3874; B65D 81/3216; B65D 25/00;  
B65D 25/06; B65D 25/04; B65D 1/22;  
B65D 1/24; A45C 11/20; A45C 3/00;  
A45C 3/08; A45C 3/06; A45C 3/10;  
A45C 1/00; A45C 13/008; A45C 13/02;  
A45C 13/1046; A45C 5/00; A45C 5/02;  
A45F 3/00  
See application file for complete search history.

D479,955 S	9/2003	Samartgis	
7,090,089 B2 *	8/2006	Lown	..... B65D 43/0218 220/780
D566,484 S *	4/2008	George	..... D7/629
D885,144 S	5/2020	Huckestein et al.	
2011/0114526 A1 *	5/2011	Neumann	..... A45C 11/20 206/459.5
2011/0240653 A1 *	10/2011	Castner	..... B65D 45/02 220/526
2014/0103033 A1 *	4/2014	Beckman	..... B65D 1/34 220/4.01
2019/0375551 A1 *	12/2019	Bell	..... B65D 21/0222
2021/0037940 A1 *	2/2021	Kim	..... A45C 13/02

**OTHER PUBLICATIONS**

Amazon.com, YFBXG Bento Boxes for Adults 4-compartmented SS Bento Lunch Box, ASIN: B09L46THQ5, 10 pages, date first available Nov. 5, 2021 (Year: 2021).\*

Amazon.com, UXCELL Bento Box for Adults, Meal Lunch box for Classes, SS Food Containers, ASIN: B08NF2W8X5, 9 pages, date first available Nov. 13, 2020. (Year: 2020).\*

\* cited by examiner

*Primary Examiner* — Terry A Wallace

(57) **CLAIM**

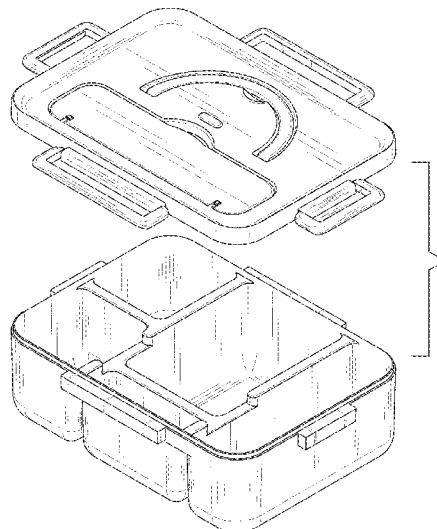
The ornamental design for a lunch box, as shown and described.

**DESCRIPTION**

- FIG. 1 is a perspective view of a lunch box showing my new design;
- FIG. 2 is another perspective view thereof;
- FIG. 3 is an exploded perspective view of the lunch box;
- FIG. 4 is a front elevational view of FIG. 1;
- FIG. 5 is a rear elevational view thereof;
- FIG. 6 is a left side elevational view thereof;
- FIG. 7 is a right side elevational view thereof;
- FIG. 8 is a top plan view thereof; and,
- FIG. 9 is a bottom plan view thereof.

**1 Claim, 9 Drawing Sheets**

- (56) **References Cited**  
U.S. PATENT DOCUMENTS  
6,144,016 A \* 11/2000 Garvin ..... F24C 7/10  
220/523  
D472,774 S \* 4/2003 Pelstring ..... D7/629



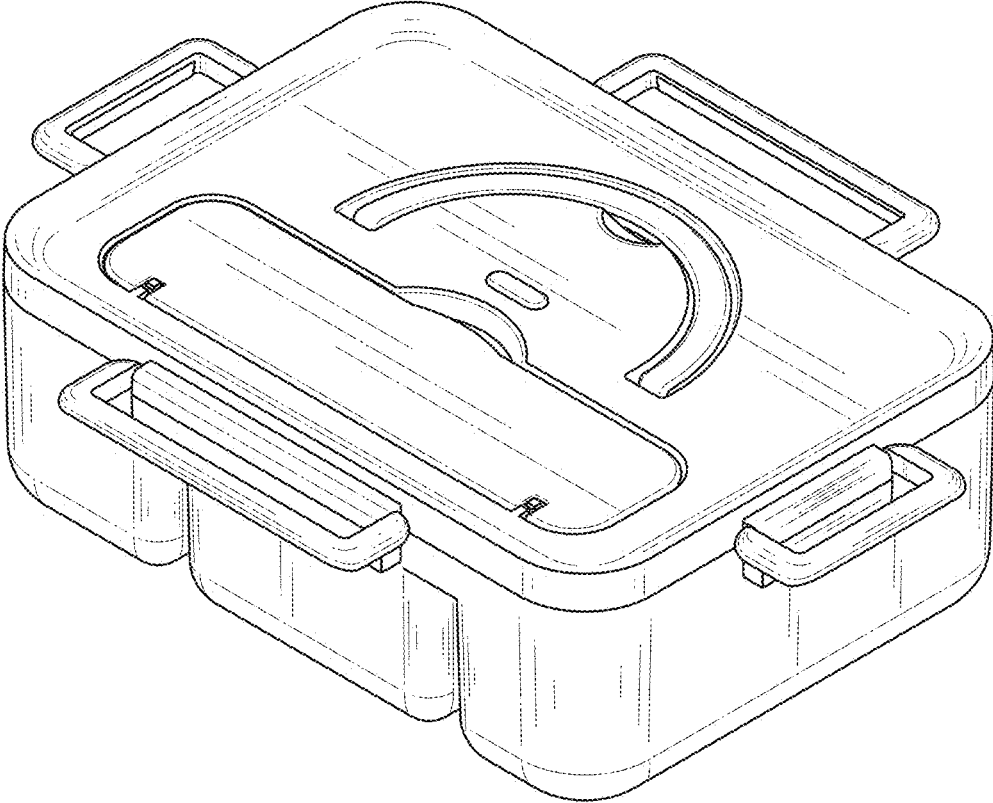


FIG.1

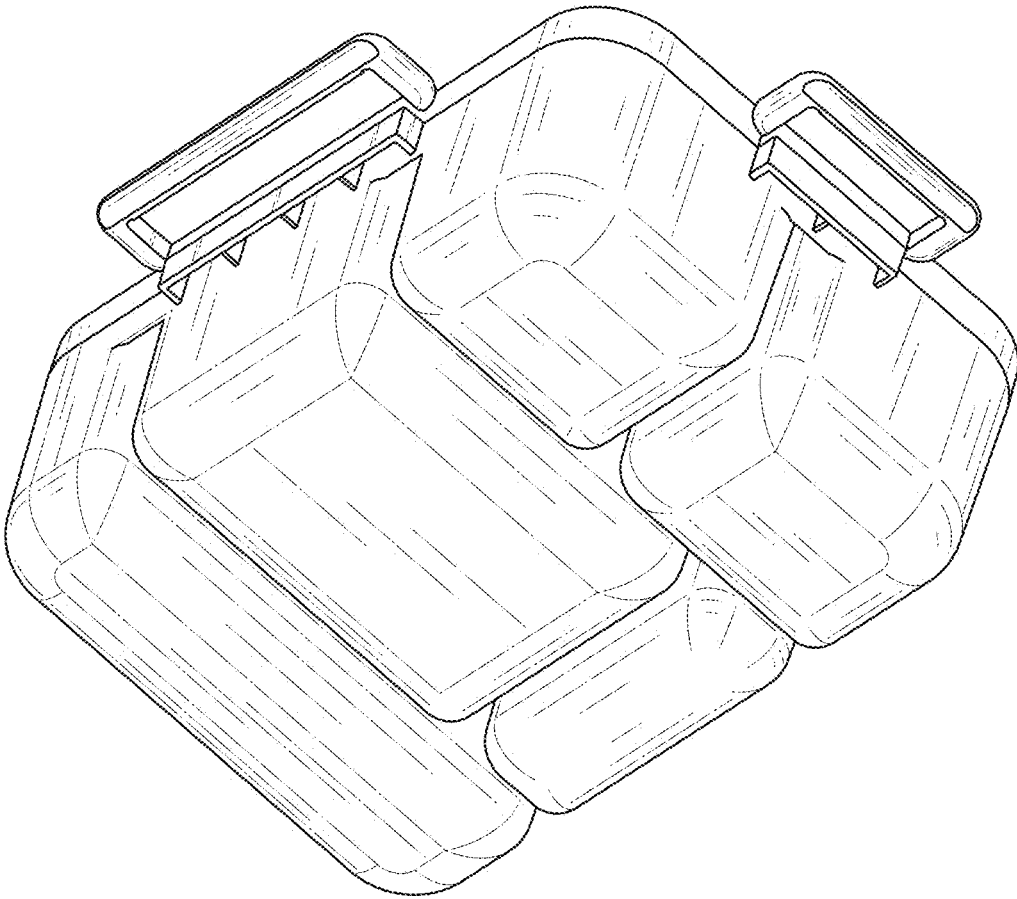


FIG.2

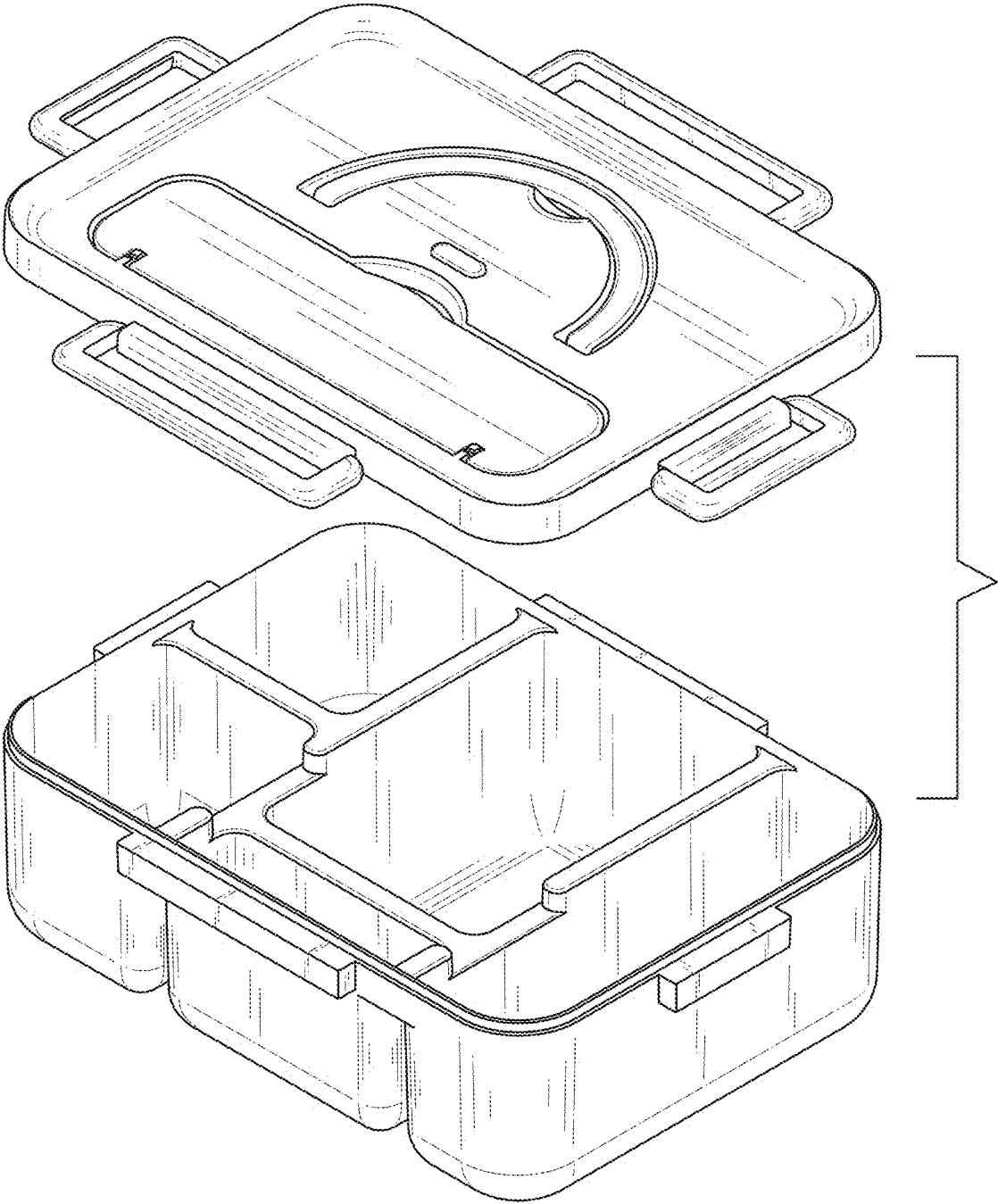


FIG.3

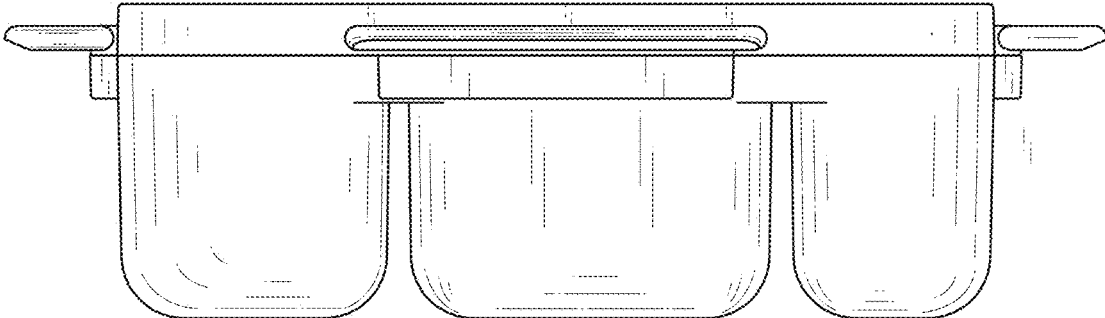


FIG.4

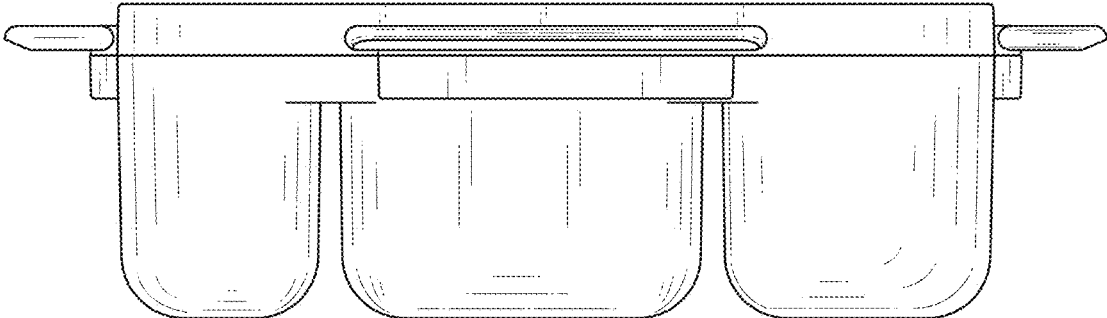


FIG.5

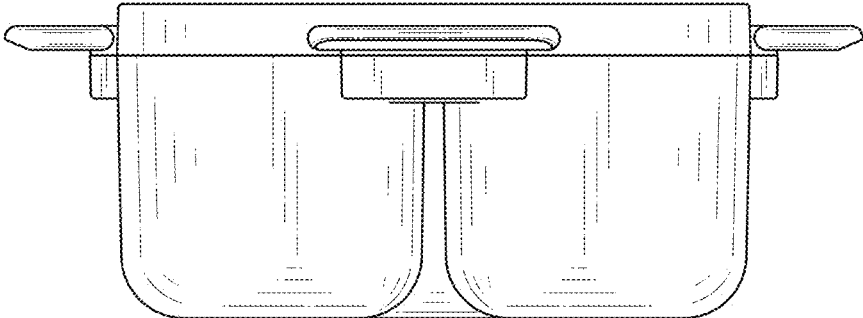


FIG.6

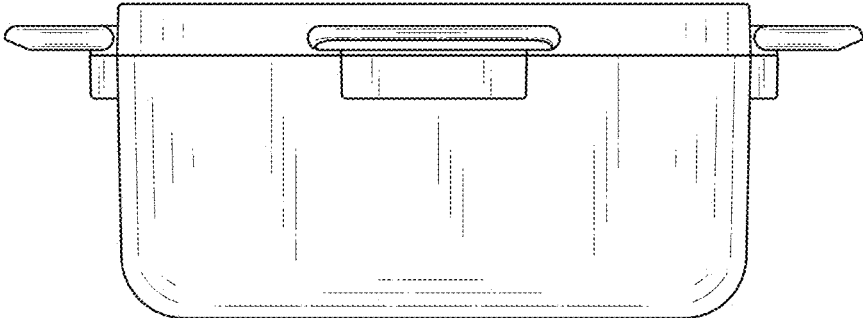


FIG.7



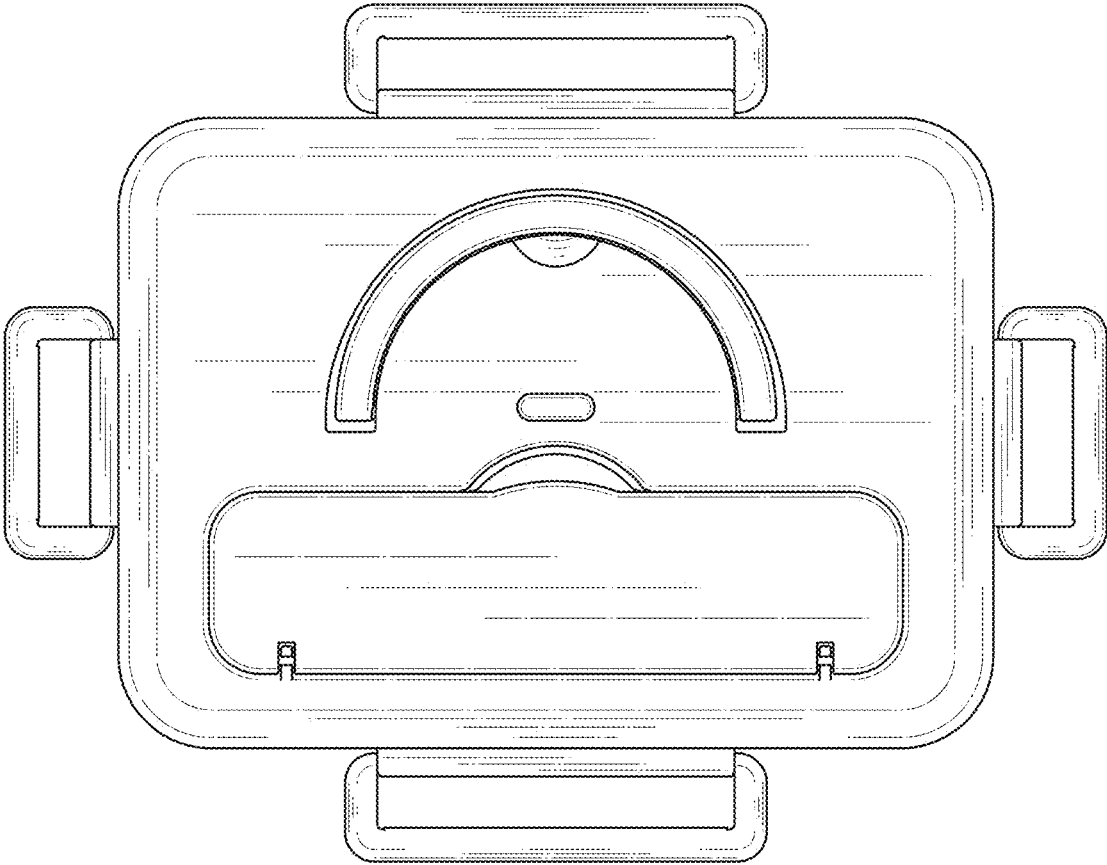


FIG.8

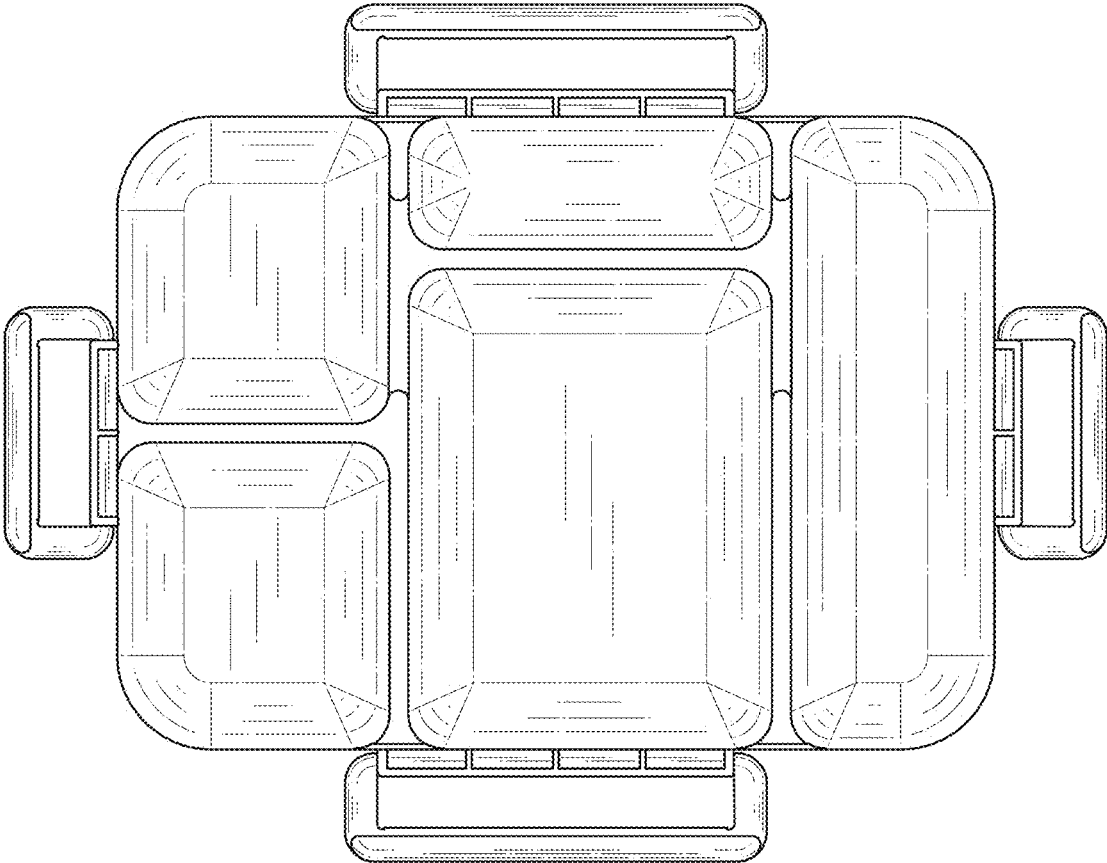


FIG.9