

[54] **CRIB TOY**

[75] **Inventor: Dennis C. Wong, Kowloon, Hong Kong**

[73] **Assignee: Deacon & Co. Limited, Kowloon, Hong Kong**

[**] **Term: 14 Years**

[21] **Appl. No.: 490,428**

[22] **Filed: May 2, 1983**

[30] **Foreign Application Priority Data**

Nov. 18, 1982 [GB] United Kingdom 1009770
[52] **U.S. Cl.** **D21/63**
[58] **Field of Search** D21/59, 63, 62, 64;
446/227; 434/259, 260, 258; D19/59, 62, 64

[56] **References Cited**

U.S. PATENT DOCUMENTS

D. 144,582	4/1946	Rassnick	D21/63
D. 169,246	4/1953	Eisenberg	D21/63
2,327,253	8/1943	Eisel	D21/63
2,437,241	3/1948	Burlin	D21/63

OTHER PUBLICATIONS

"Just For Kids" Catalog, Xmas, 1980, p. 10, Item A, Baby Exerciser.

Primary Examiner—Charles A. Rademaker
Attorney, Agent, or Firm—Warren B. Kice

[57] **CLAIM**

The ornamental design for a crib toy, as shown.

DESCRIPTION

FIG. 1 is a front perspective view of a crib toy showing my new design;
FIG. 2 is a rear elevational view thereof;
FIG. 3 is a side elevational view thereof; and,
FIG. 4 is a bottom plan view thereof.

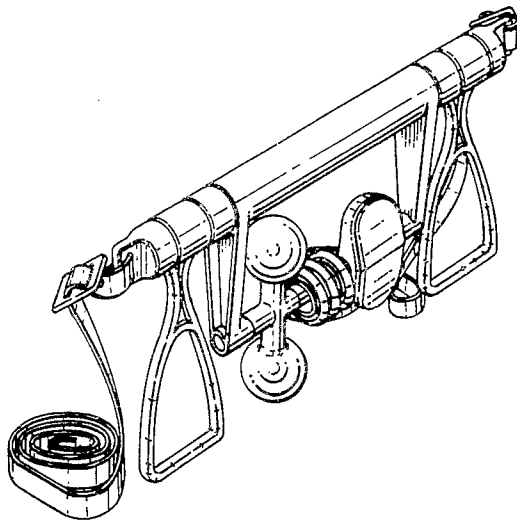
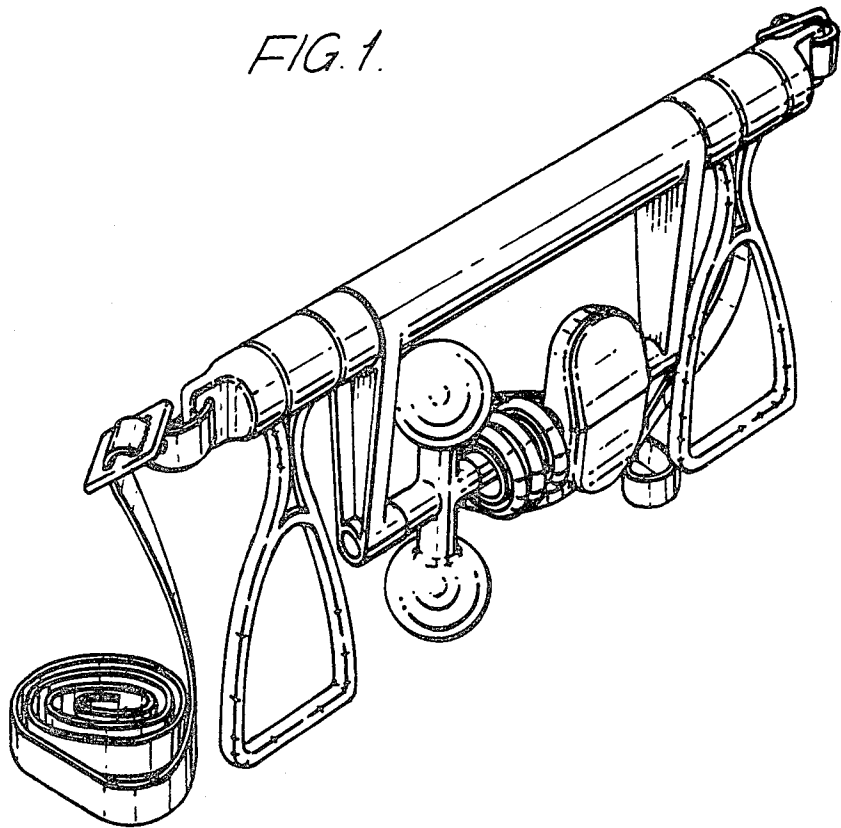


FIG. 1.



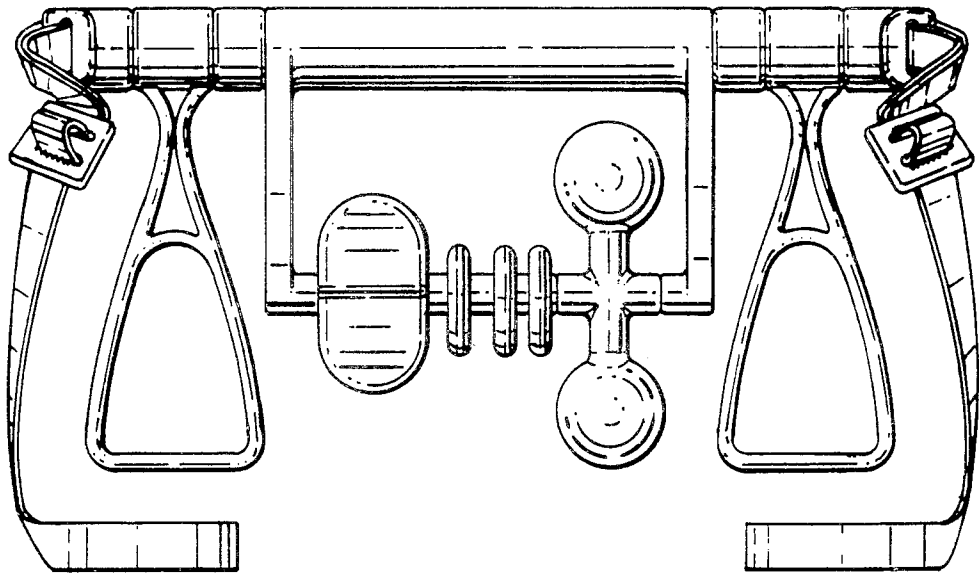


FIG. 2.

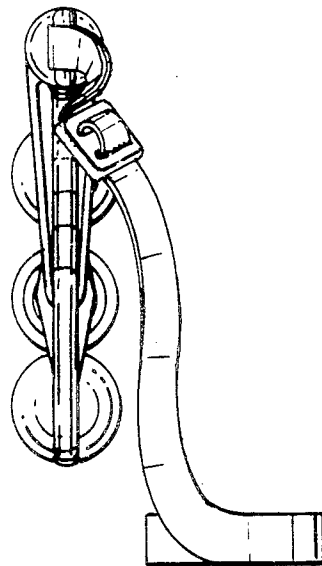


FIG. 3.

FIG. 4.

