



US00D484011S

(12) **United States Design Patent** (10) **Patent No.:** **US D484,011 S**  
**Strobel et al.** (45) **Date of Patent:** **\*\* Dec. 23, 2003**

(54) **BEVERAGE CARRIER**  
 (75) Inventors: **Scott G. Strobel**, Plymouth, CT (US);  
**George M. Borrello**, Williamsville, NY (US)

(73) Assignee: **Progressive Speciality Glass Co., Inc.**,  
 Southington, CT (US)

(\*\*) Term: **14 Years**

(21) Appl. No.: **29/173,800**  
 (22) Filed: **Jan. 7, 2003**

(51) **LOC (7) Cl.** ..... **07-06**  
 (52) **U.S. Cl.** ..... **D7/706; D3/309**  
 (58) **Field of Search** ..... **D7/701, 705-708;**  
**D3/307-309, 310, 315; 206/193-203; 229/117.12,**  
**117.15; D9/341, 433**

(56) **References Cited**  
**U.S. PATENT DOCUMENTS**  
 2,362,990 A \* 11/1944 Crane ..... 229/117.15  
 2,728,485 A \* 12/1955 Howard ..... 229/117.14

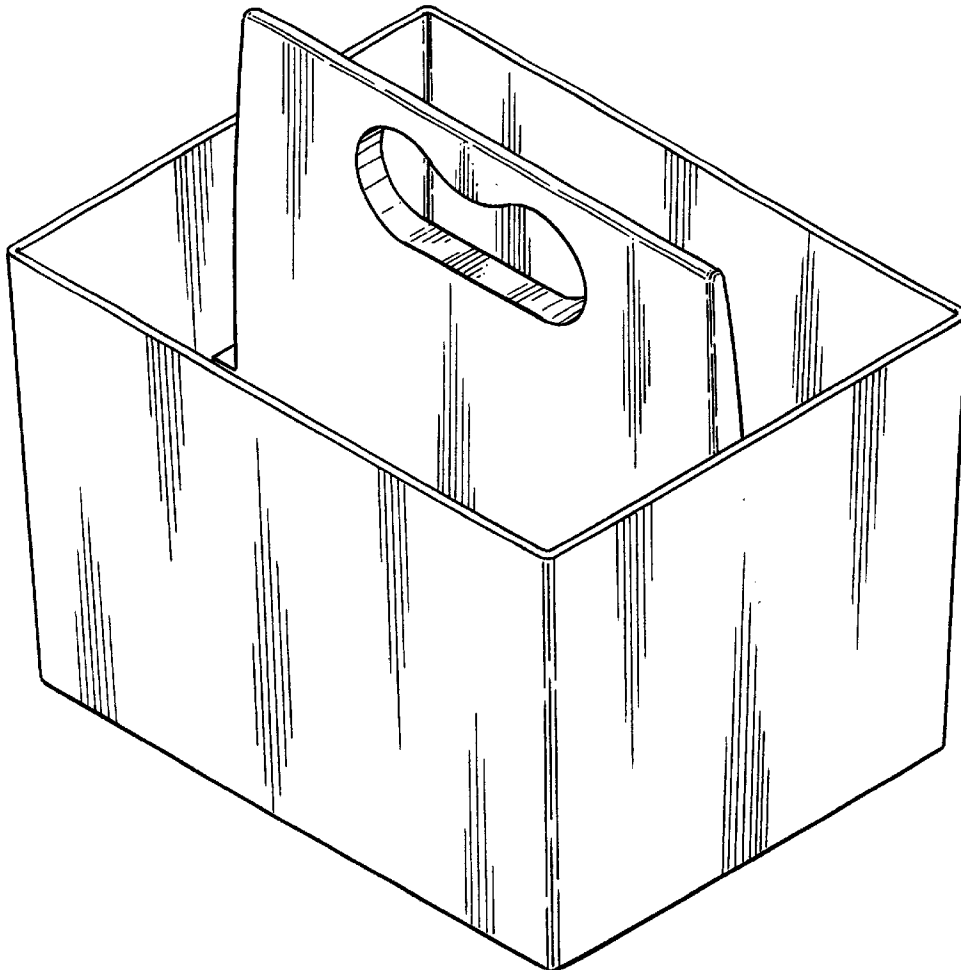
2,740,517 A \* 4/1956 Evans ..... D3/309  
 D192,756 S \* 5/1962 Hodgman ..... D3/309  
 3,056,528 A \* 10/1962 Shiels, Jr. .... 229/117.12  
 D259,099 S \* 5/1981 Davis ..... D3/309  
 D386,616 S \* 11/1997 Nimer ..... D3/308

\* cited by examiner  
*Primary Examiner*—Terry A. Wallace  
 (74) *Attorney, Agent, or Firm*—W. Scott Carson

(57) **CLAIM**  
 The ornamental design for a beverage carrier, as shown and described.

**DESCRIPTION**  
 FIG. 1 is a perspective view of a beverage carrier showing our new design.  
 FIG. 2 is a top plan view thereof.  
 FIG. 3 is a front elevational view thereof, the rear elevational view being identical thereto.  
 FIG. 4 is a right side elevational view thereof, the left side elevational view being identical thereto; and,  
 FIG. 5 is a bottom plan view thereof.

**1 Claim, 3 Drawing Sheets**



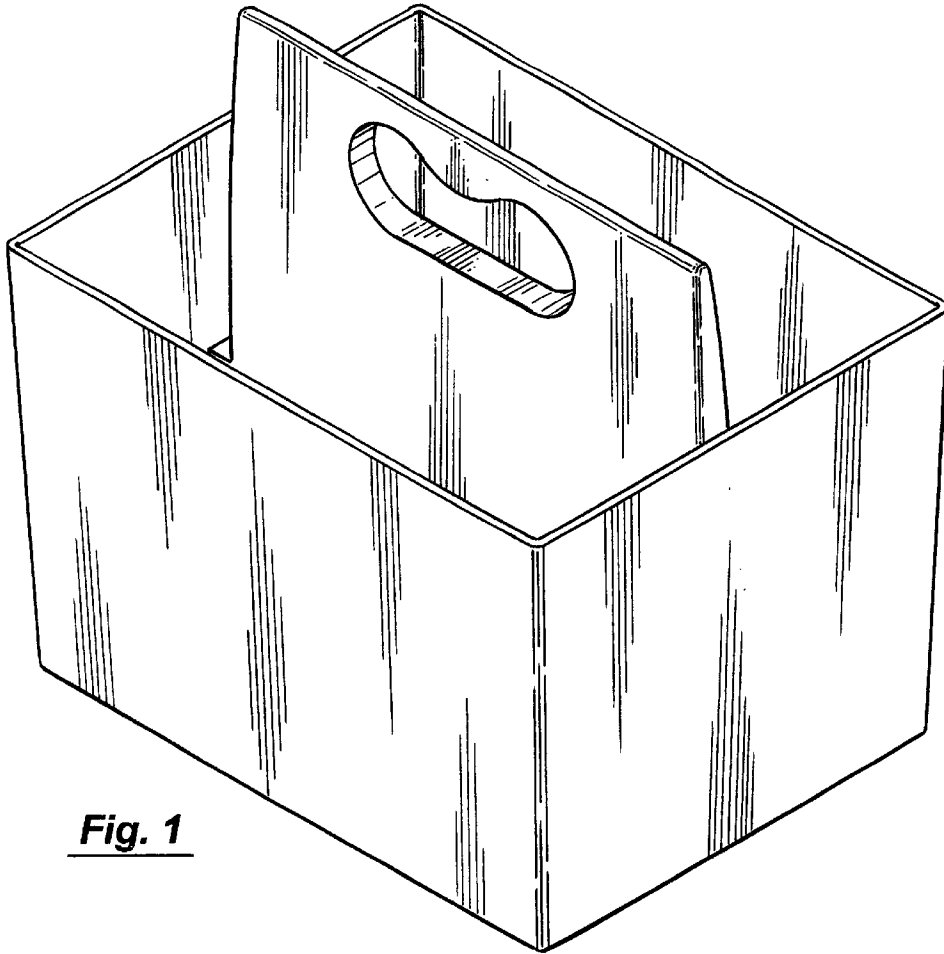


Fig. 1

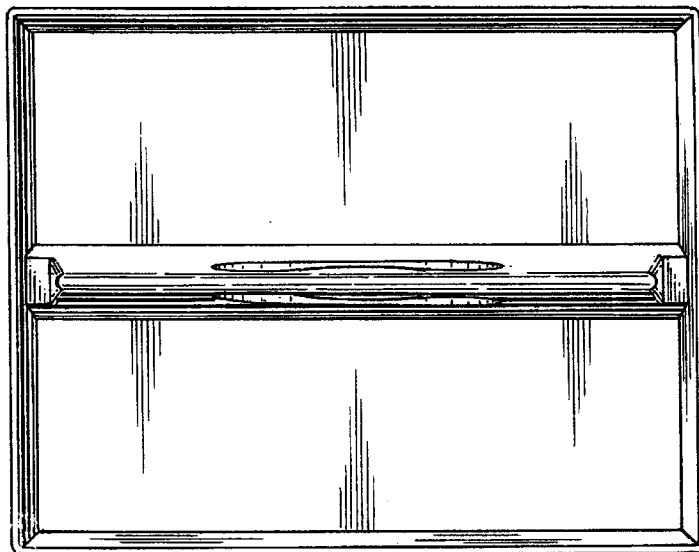


Fig. 2

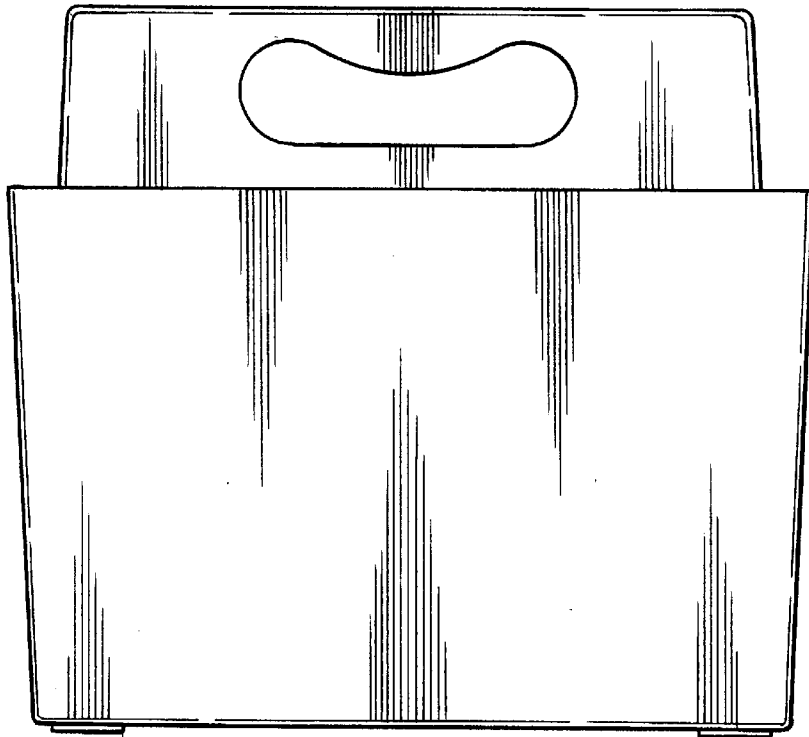


Fig. 3

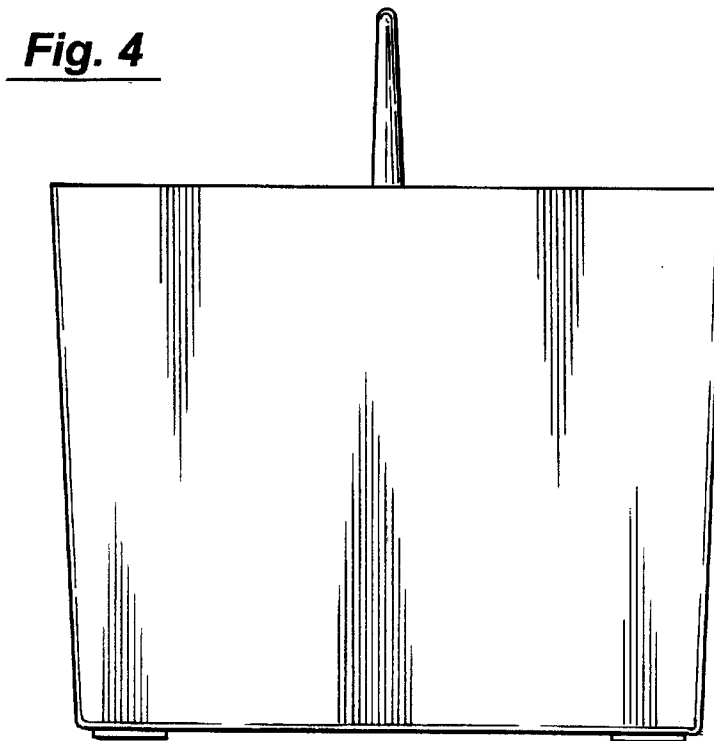


Fig. 4

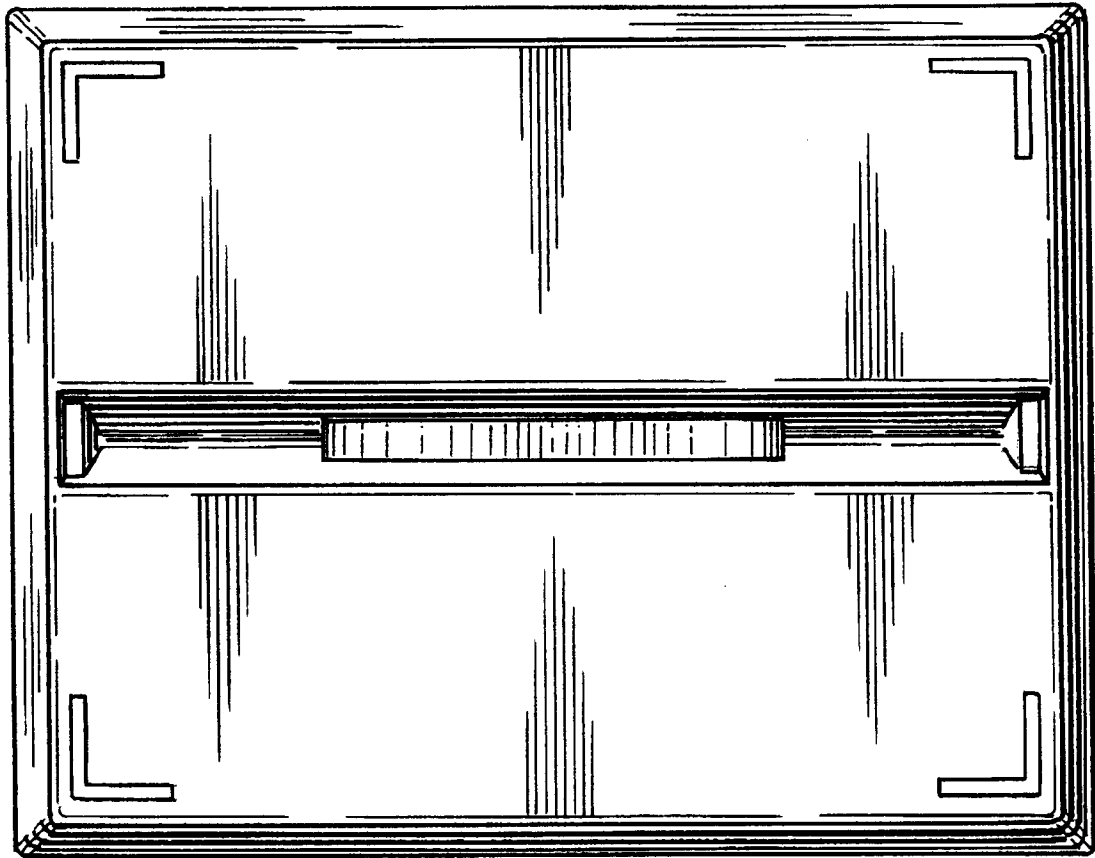


Fig. 5