



US00D443810S

(12) **United States Design Patent** (10) **Patent No.:** **US D443,810 S**
Ausilio (45) **Date of Patent:** **** Jun. 19, 2001**

(54) **POSITIONING FIXTURE**

(75) Inventor: **John S. Ausilio**, Clinton Township, MI (US)

(73) Assignee: **Ultimate Standard Tooling International LLC**, Clinton Township, MI (US)

(**) Term: **14 Years**

(21) Appl. No.: **29/128,613**

(22) Filed: **Aug. 28, 2000**

(51) **LOC (7) Cl.** **08-05**

(52) **U.S. Cl.** **D8/354**

(58) **Field of Search** D8/354, 349; 248/300, 248/200, 309.1, 295.11, 316.4

(56) **References Cited**

U.S. PATENT DOCUMENTS

5,732,918 * 3/1998 Steele et al. 248/300
* cited by examiner

Primary Examiner—Pamela Burgess

(74) *Attorney, Agent, or Firm*—Duane, Morris & Heckscher LLP

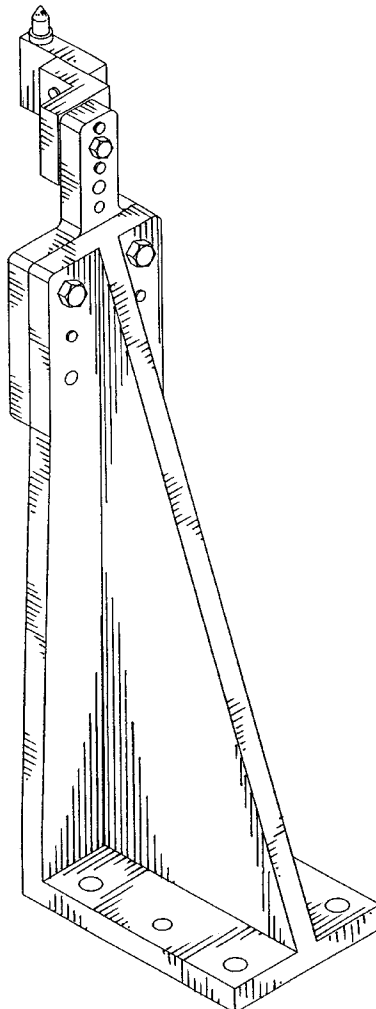
(57) **CLAIM**

The ornamental design for a positioning fixture, as shown and described.

DESCRIPTION

FIG. 1 is a rear perspective view of the positioning fixture according to the invention;
FIG. 2 is a right side view of the positioning fixture;
FIG. 3 is a left side view of the positioning fixture;
FIG. 4 is a rear view of the positioning fixture;
FIG. 5 is a front view of the positioning fixture;
FIG. 6 is a top view of the positioning fixture; and,
FIG. 7 is a bottom view of the positioning fixture.

1 Claim, 6 Drawing Sheets



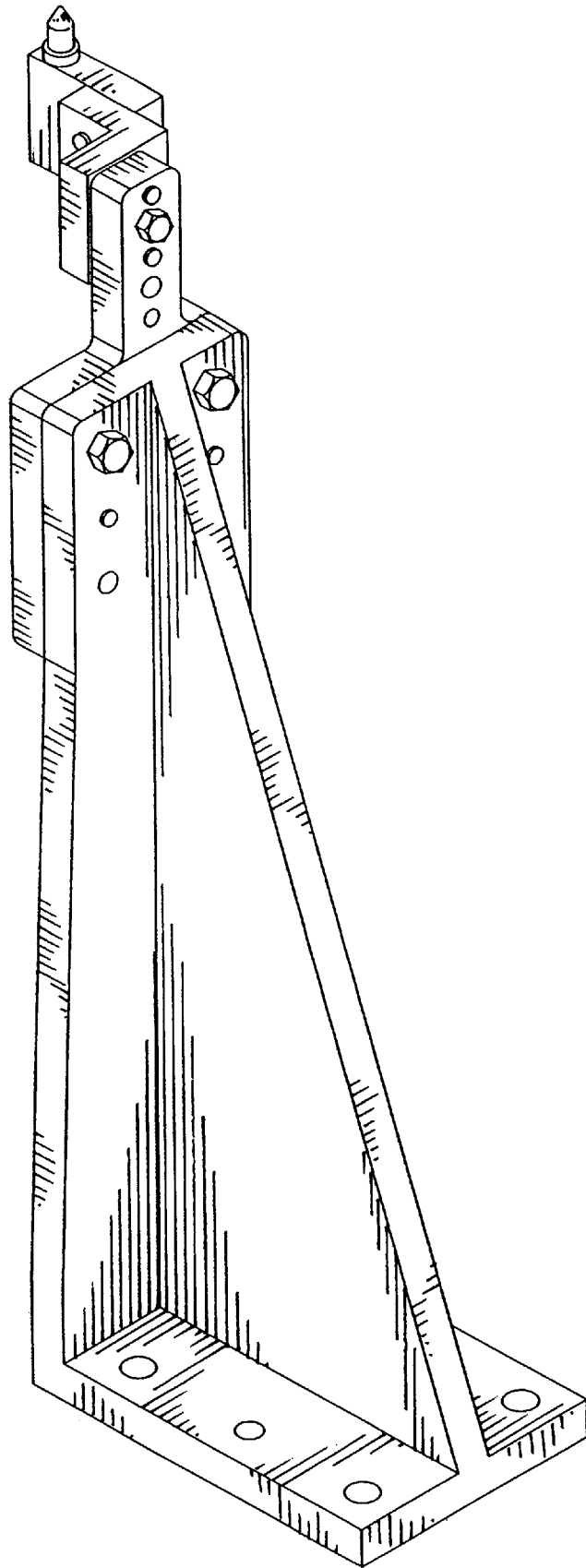


FIG. 1

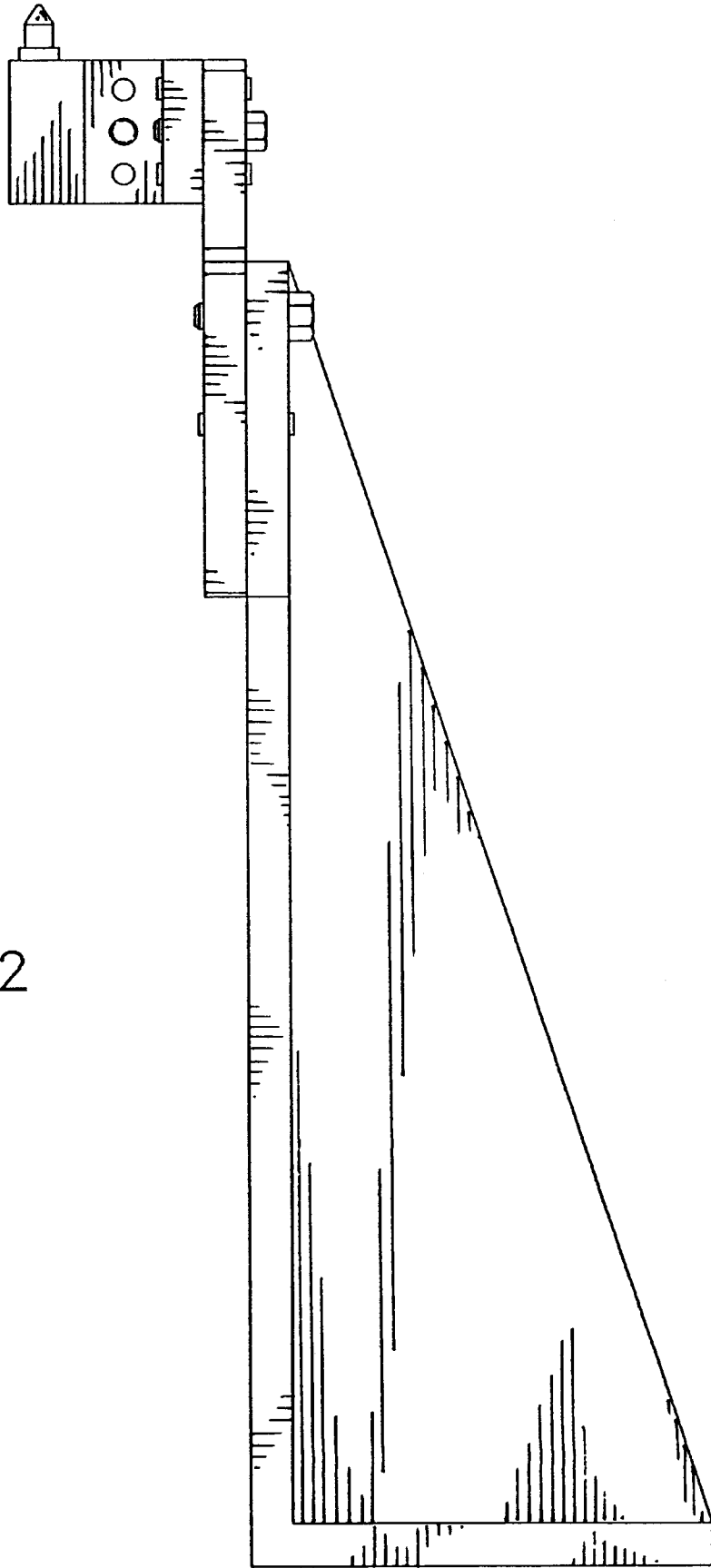


FIG. 2

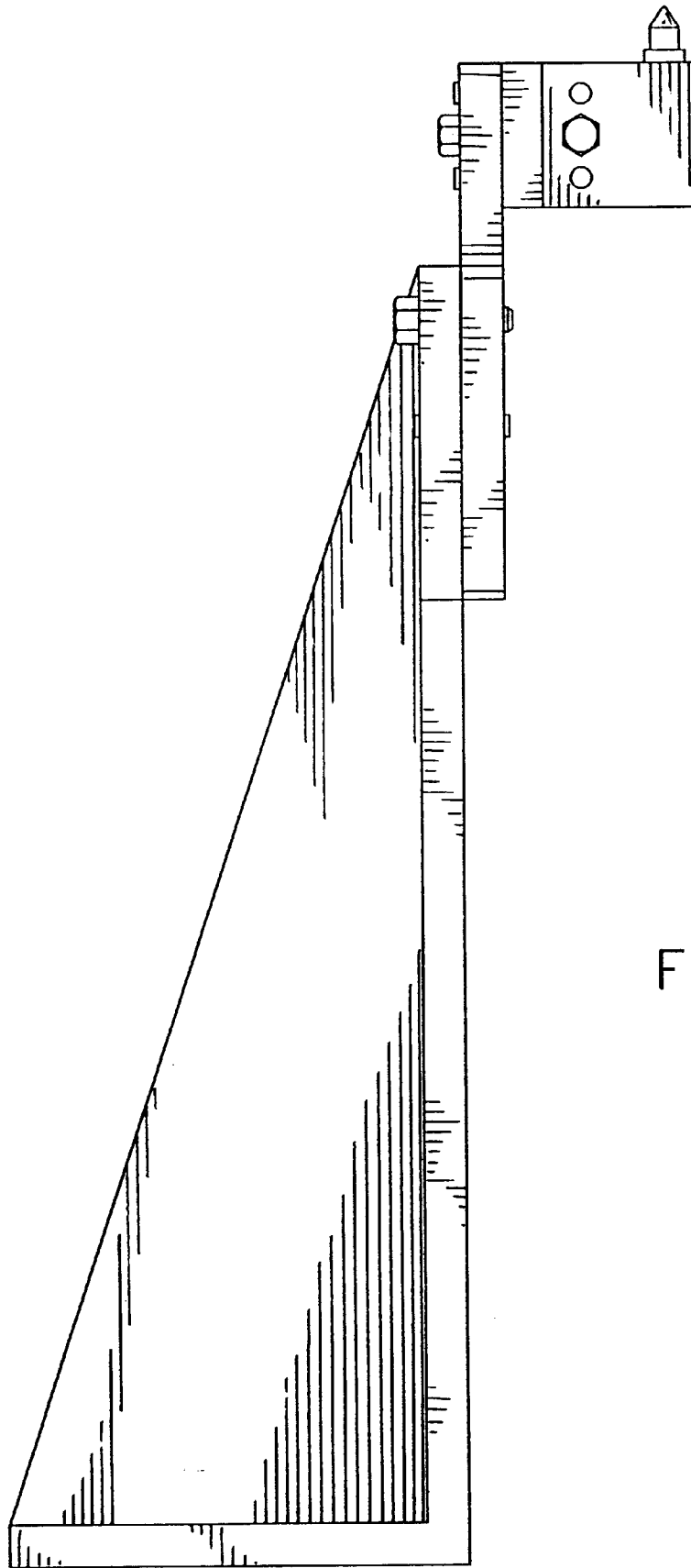


FIG. 3

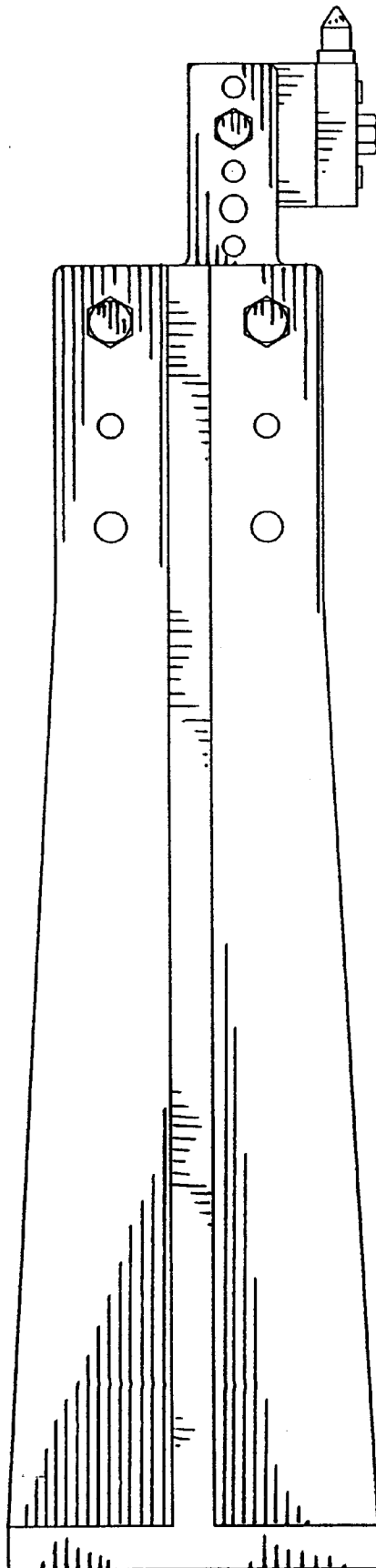


FIG. 4

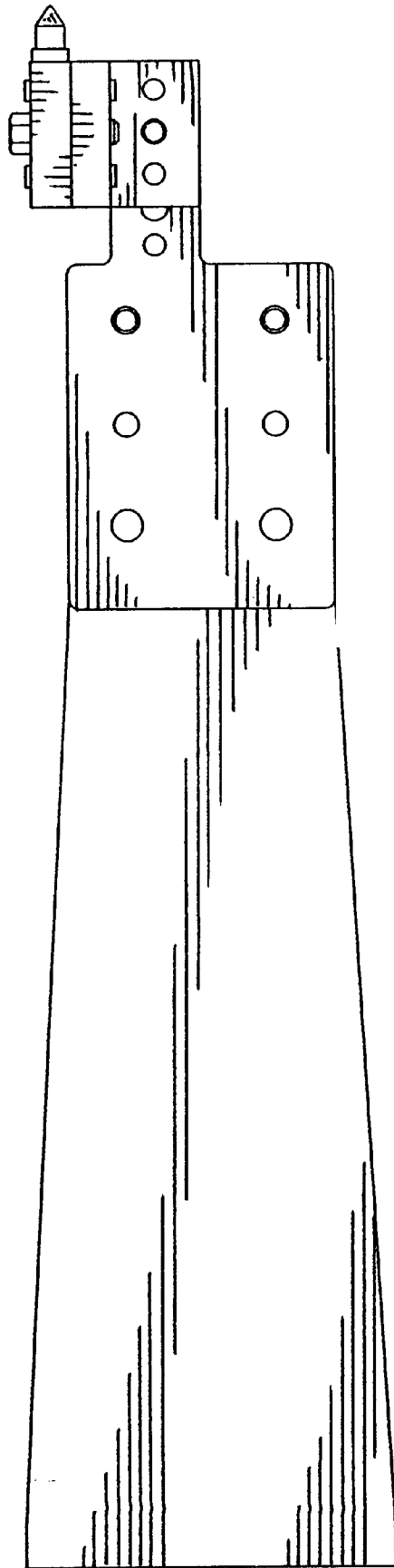


FIG. 5

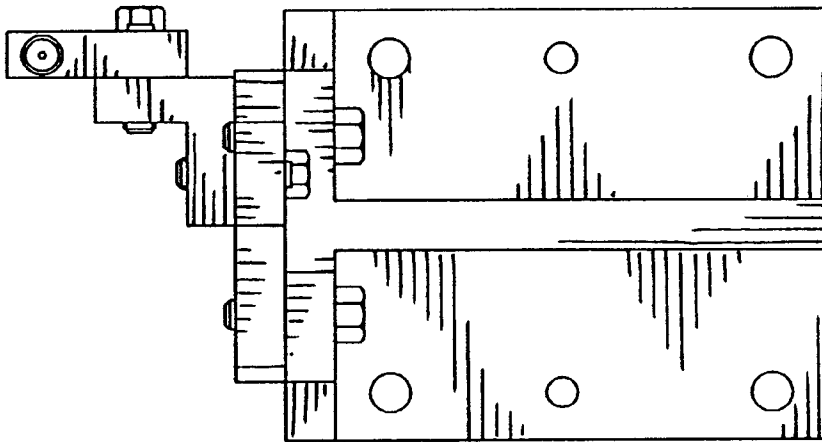


FIG. 6

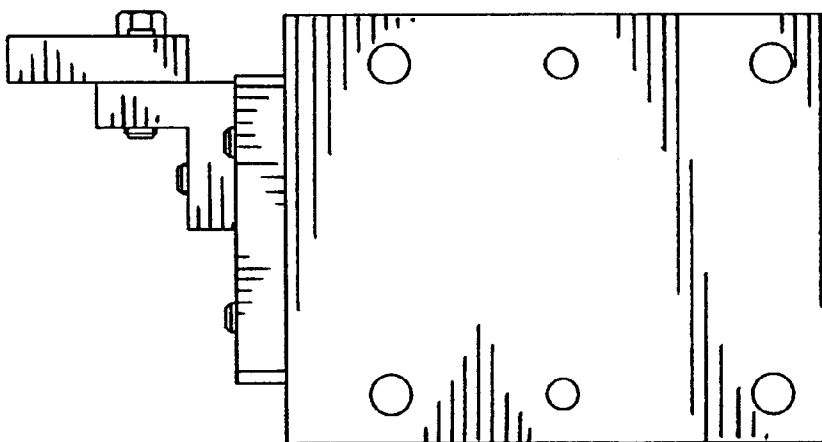


FIG. 7