



US00D763941S

(12) **United States Design Patent**
Smith

(10) **Patent No.:** **US D763,941 S**

(45) **Date of Patent:** **** Aug. 16, 2016**

(54) **CAMERA CASE**

(71) Applicant: **Jerry A. Smith**, Granite Bay, CA (US)

(72) Inventor: **Jerry A. Smith**, Granite Bay, CA (US)

(**) Term: **15 Years**

(21) Appl. No.: **29/530,489**

(22) Filed: **Jun. 17, 2015**

(51) **LOC (10) Cl.** **16-01**

(52) **U.S. Cl.**

USPC **D16/200**

(58) **Field of Classification Search**

USPC D3/267; D16/200, 202-204, 208, 211,
D16/218, 219, 242; 248/176.1, 187.1;
348/373-376; 396/25, 27, 29, 419,
396/535, 539-541

CPC G03B 15/03; G03B 17/02; G03B 17/04;
G03B 17/08; G03B 17/56; G03B 19/04;
H04N 5/2251; H04N 5/2252; H04N 5/2253;
H04N 5/2254; A45C 11/38

See application file for complete search history.

(56) **References Cited**

U.S. PATENT DOCUMENTS

D550,741 S * 9/2007 Vernon D16/208
D646,313 S * 10/2011 Woodman D16/200
D657,808 S * 4/2012 Woodman D16/200
8,467,675 B2 * 6/2013 Chen G03B 17/02
348/374
D699,277 S * 2/2014 Samuels D16/200

D722,097 S * 2/2015 Kim D16/219
D724,638 S * 3/2015 Samuels D16/200
D725,169 S * 3/2015 Gioscia D16/200
D732,593 S * 6/2015 Woodman D16/200
D737,363 S * 8/2015 Russell D16/208
D737,879 S * 9/2015 Woodman D16/218

* cited by examiner

Primary Examiner — Philip S Hyder

Assistant Examiner — Ramzi Almatrahi

(74) *Attorney, Agent, or Firm* — Craig A. Simmermon

(57) **CLAIM**

The ornamental design for a camera case, as shown and described.

DESCRIPTION

FIG. 1 is a top front perspective view of a camera case showing my new design;

FIG. 2 is a bottom rear perspective view thereof;

FIG. 3 is a front elevation view thereof;

FIG. 4 is a left side elevation view thereof;

FIG. 5 is a rear elevation view thereof;

FIG. 6 is a right side elevation view thereof;

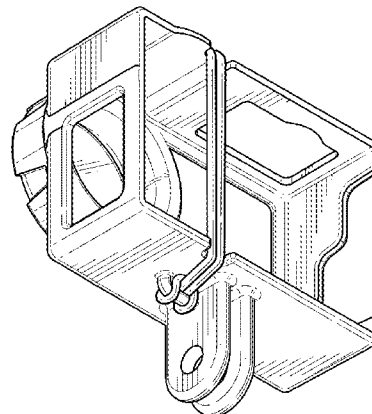
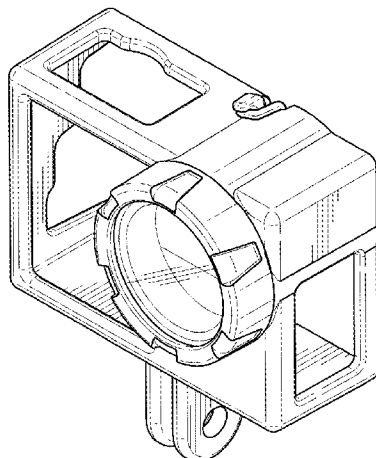
FIG. 7 is a top plan view thereof;

FIG. 8 is a bottom plan view thereof; and,

FIG. 9 is an exploded top front perspective view thereof.

Broken lines in the drawings represent unclaimed environmental subject matter and form no part of the claimed design.

1 Claim, 5 Drawing Sheets



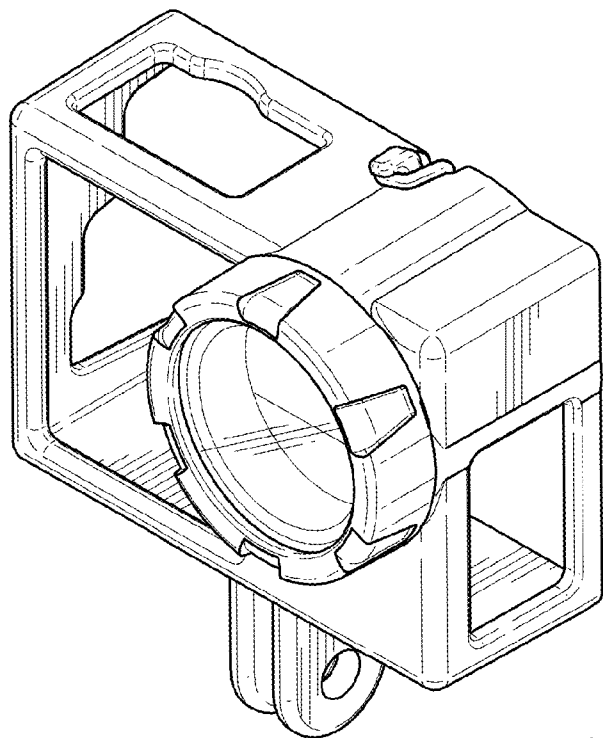


FIG. 1

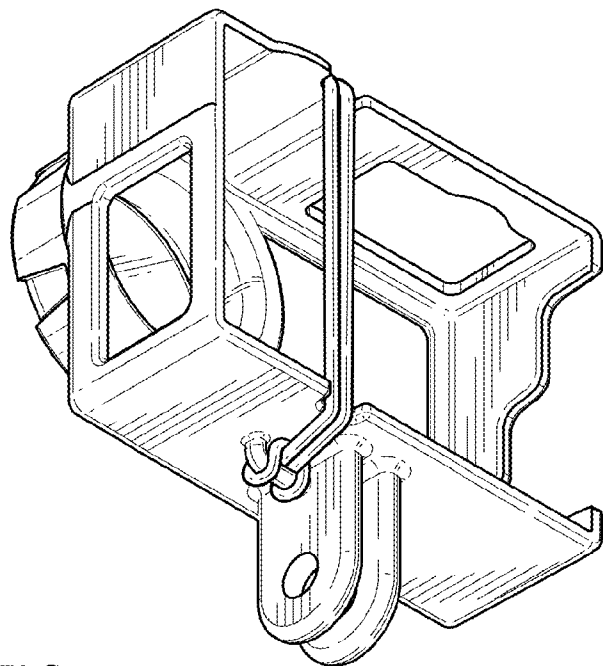


FIG. 2

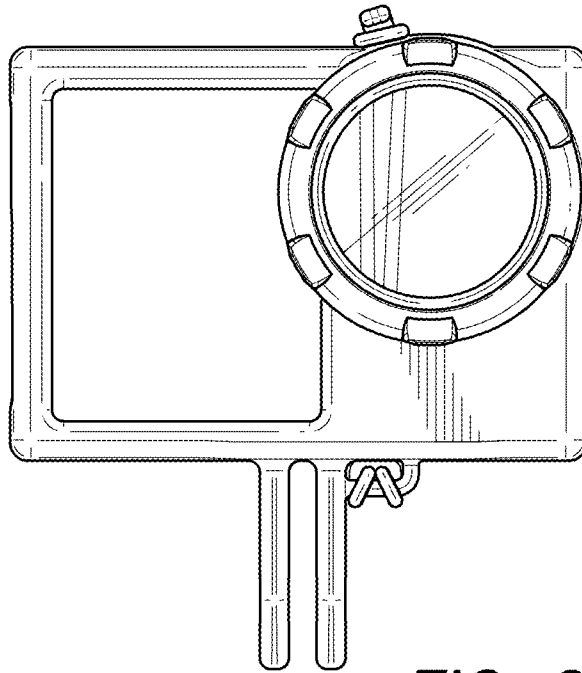


FIG. 3

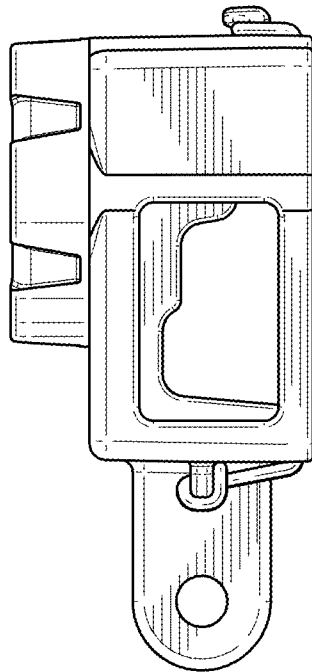


FIG. 4

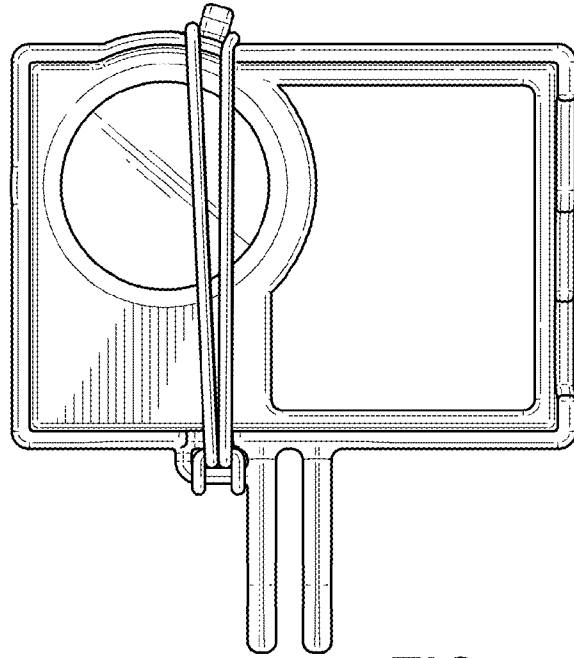


FIG. 5

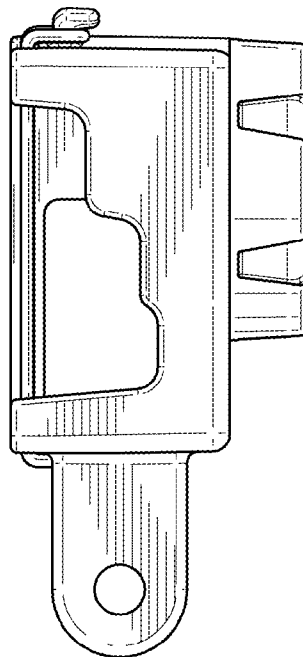


FIG. 6

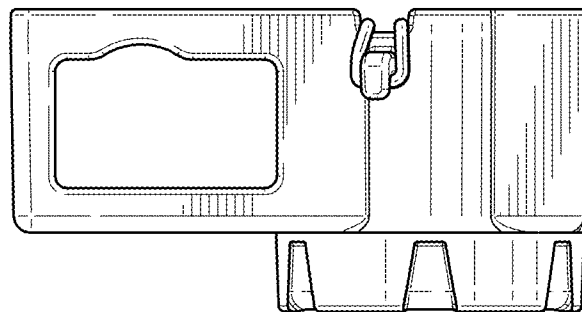


FIG. 7

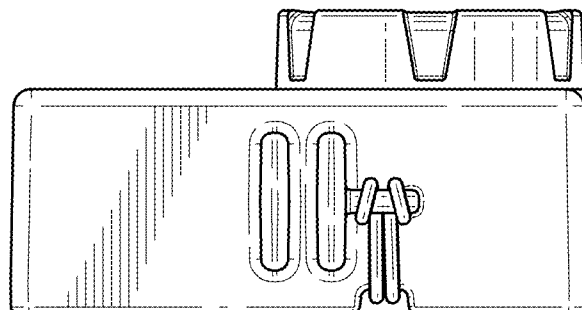


FIG. 8

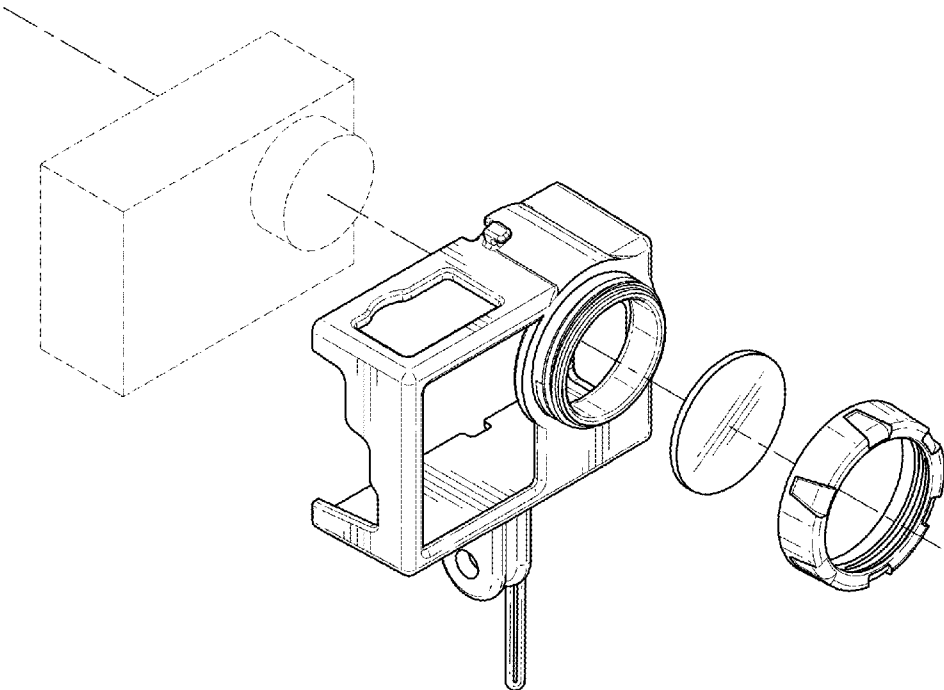


FIG. 9