



US00D414139S

United States Patent [19]

[11] Patent Number: **Des. 414,139**

Aros et al.

[45] Date of Patent: **** Sep. 21, 1999**

[54] **TRUCK BODY**

[75] Inventors: **Carlos Joaquin Aros; Sylvan S. Thordson Aros**, both of Bellflower, Calif.

[73] Assignee: **Royal Truck Bodies, Inc.**, Paramount, Calif.

[**] Term: **14 Years**

[21] Appl. No.: **29/090,724**

[22] Filed: **Jul. 15, 1998**

[51] **LOC (6) Cl.** **12-08**

[52] **U.S. Cl.** **D12/98**

[58] **Field of Search** D12/93, 96, 98, D12/14; 296/24.1, 37.6, 183, 191

[56] **References Cited**

U.S. PATENT DOCUMENTS

| | | | | |
|------------|---------|-----------------|-------|---------|
| D. 190,416 | 5/1961 | Powers | | D12/98 |
| D. 262,615 | 1/1982 | Thompson | | D12/181 |
| D. 346,571 | 5/1994 | Lewellen et al. | | D12/98 |
| D. 351,817 | 10/1994 | Lewellen et al. | | D12/98 |
| D. 373,979 | 9/1996 | Starr et al. | | D12/98 |

| | | | | |
|------------|---------|---------------|-------|----------|
| D. 382,232 | 8/1997 | Hines et al. | | D12/98 |
| D. 385,224 | 10/1997 | Aros et al. | | D12/98 |
| D. 407,044 | 3/1999 | Aros et al. | | D12/98 |
| D. 407,045 | 3/1999 | Aros et al. | | D12/98 |
| D. 407,046 | 3/1999 | Aros et al. | | D12/98 |
| 3,596,976 | 8/1971 | Eitel | | 296/24.1 |
| 4,126,349 | 11/1978 | Nelson et al. | | 296/24.1 |
| 4,685,695 | 8/1987 | Levee | | 280/423 |

Primary Examiner—Melody N. Brown
Attorney, Agent, or Firm—Oppenheimer Wolff & Donnelly LLP

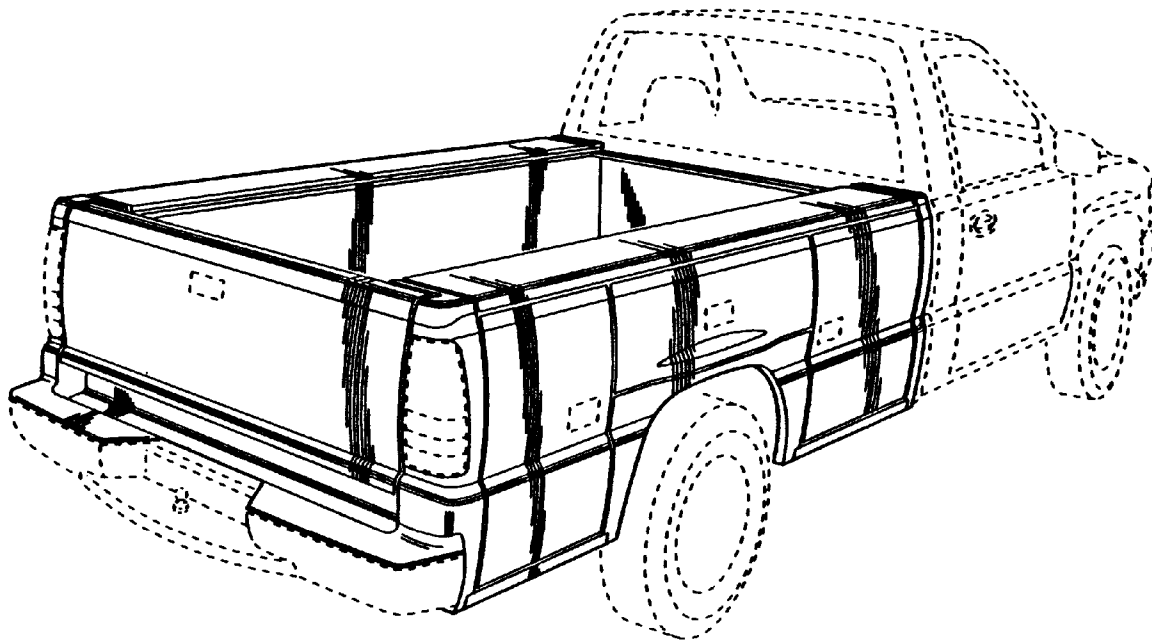
[57] **CLAIM**

The ornamental design for truck body, as shown.

DESCRIPTION

FIG. 1 is a rear perspective view of a truck body showing our new design; FIG. 2 is a side elevational view thereof; FIG. 3 is an perspective view of the truck body of FIGS. 1 and 2 showing the other side thereof; FIG. 4 is an end view thereof; and, FIG. 5 is a top plan view thereof. The truck portions shown in broken lines are for illustrative purposes only and form no part of the claimed design.

1 Claim, 5 Drawing Sheets



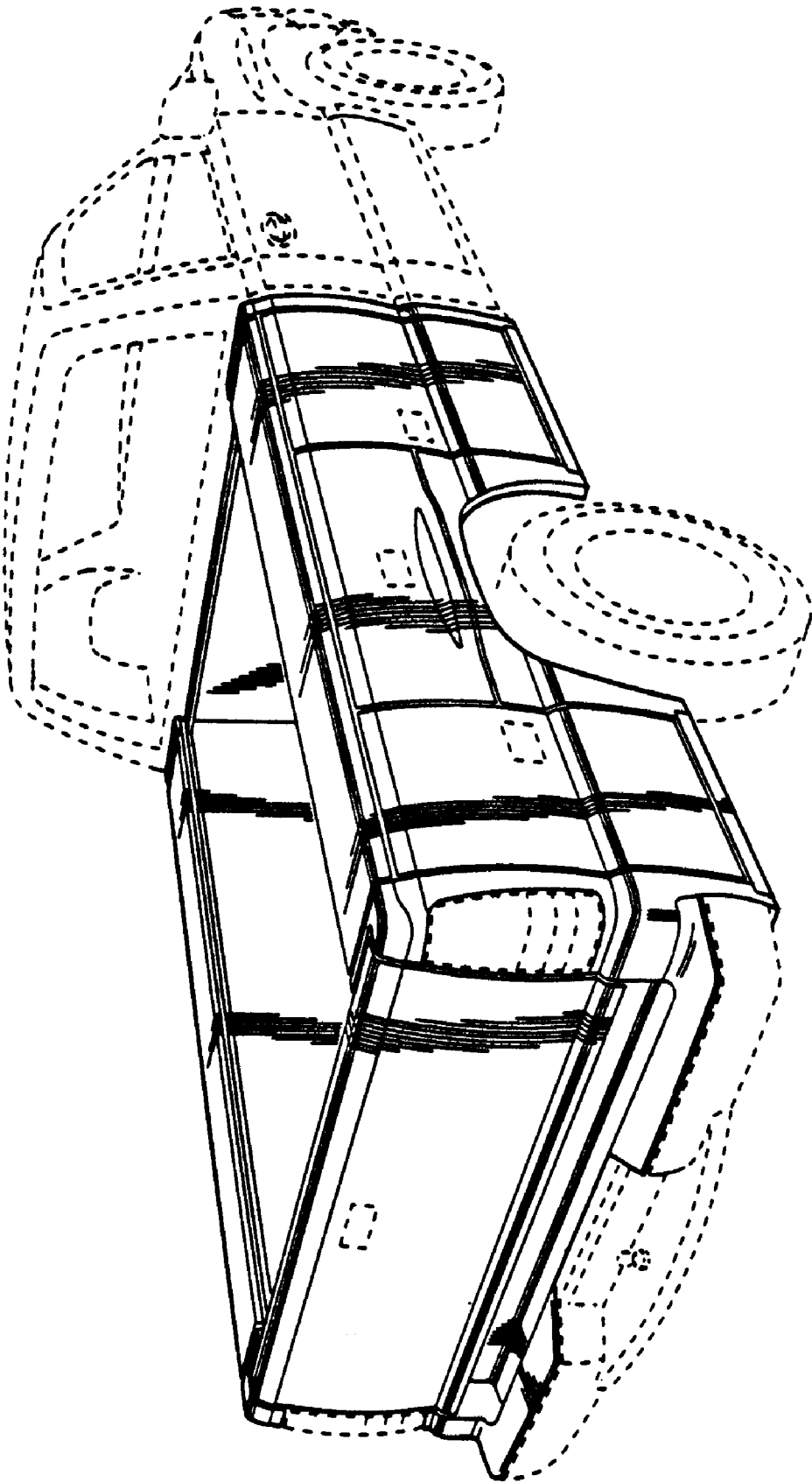


FIGURE 1

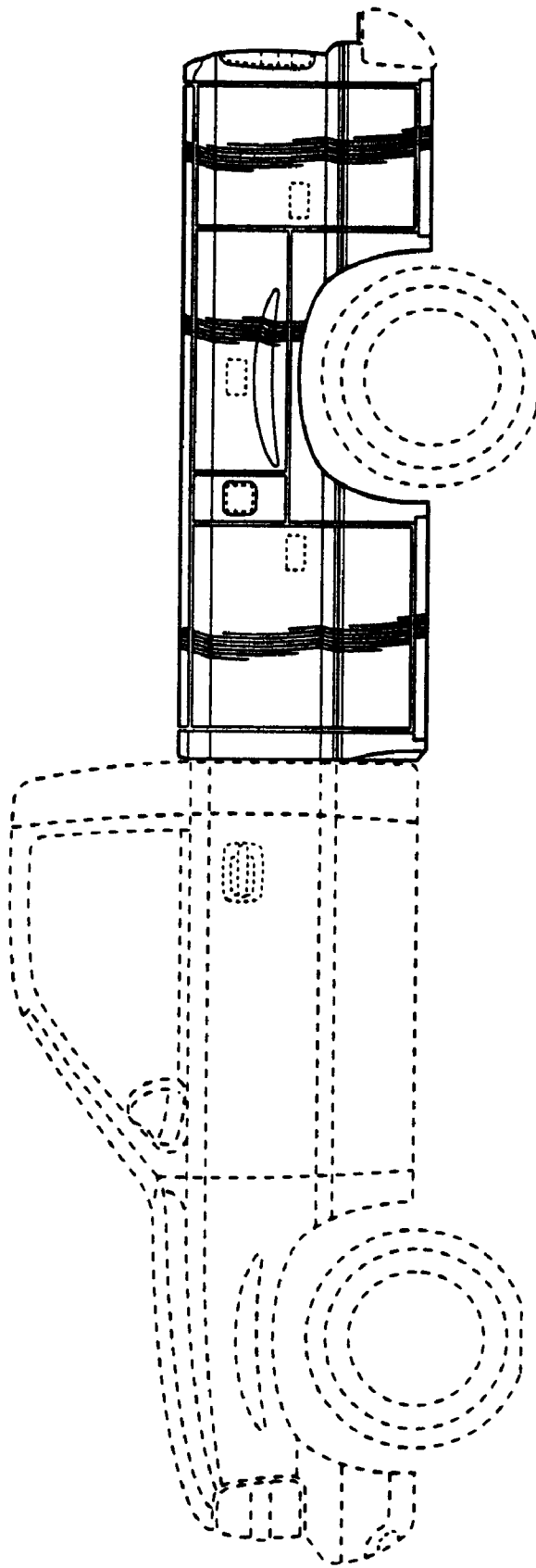


FIGURE 2

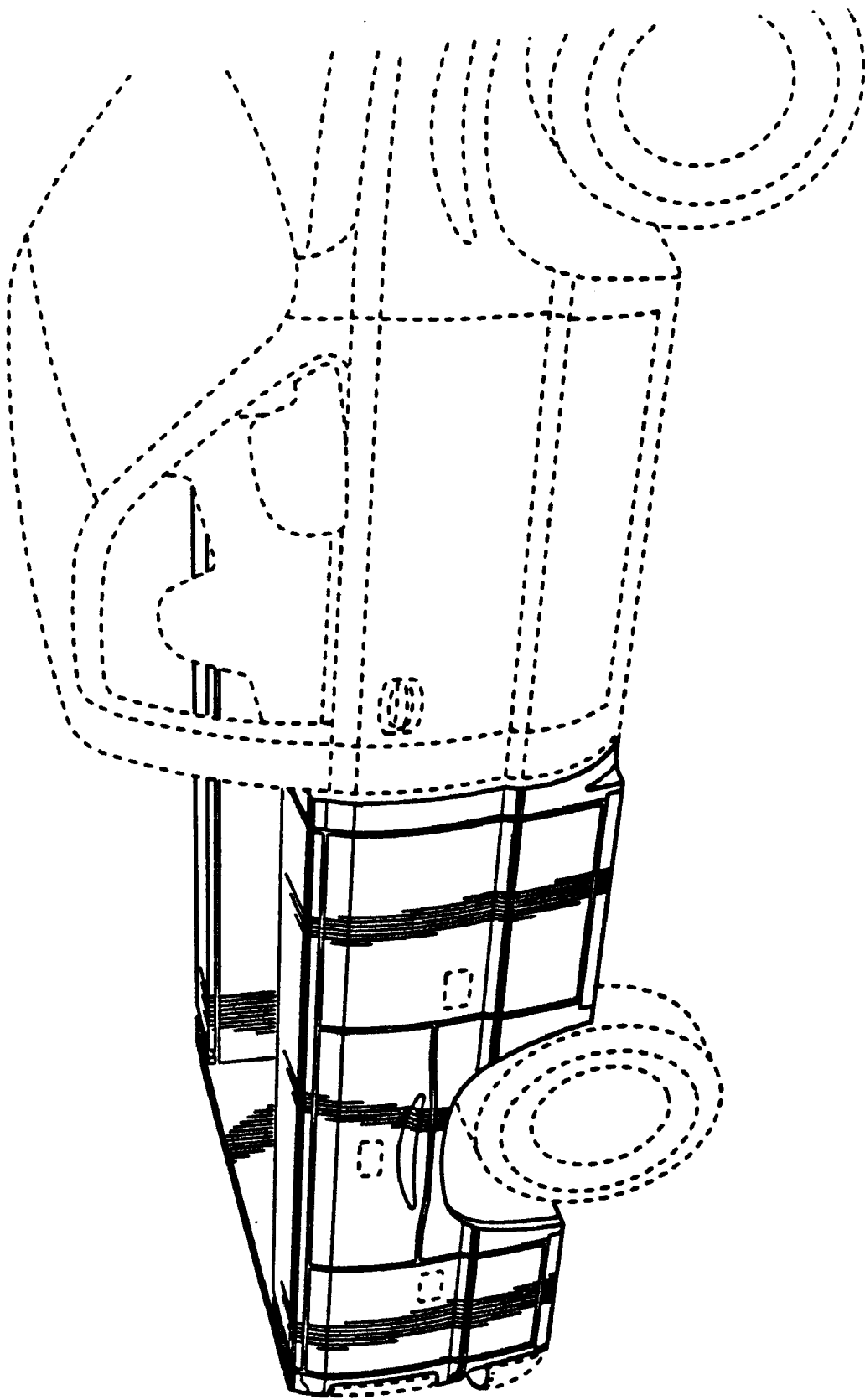


FIGURE 3

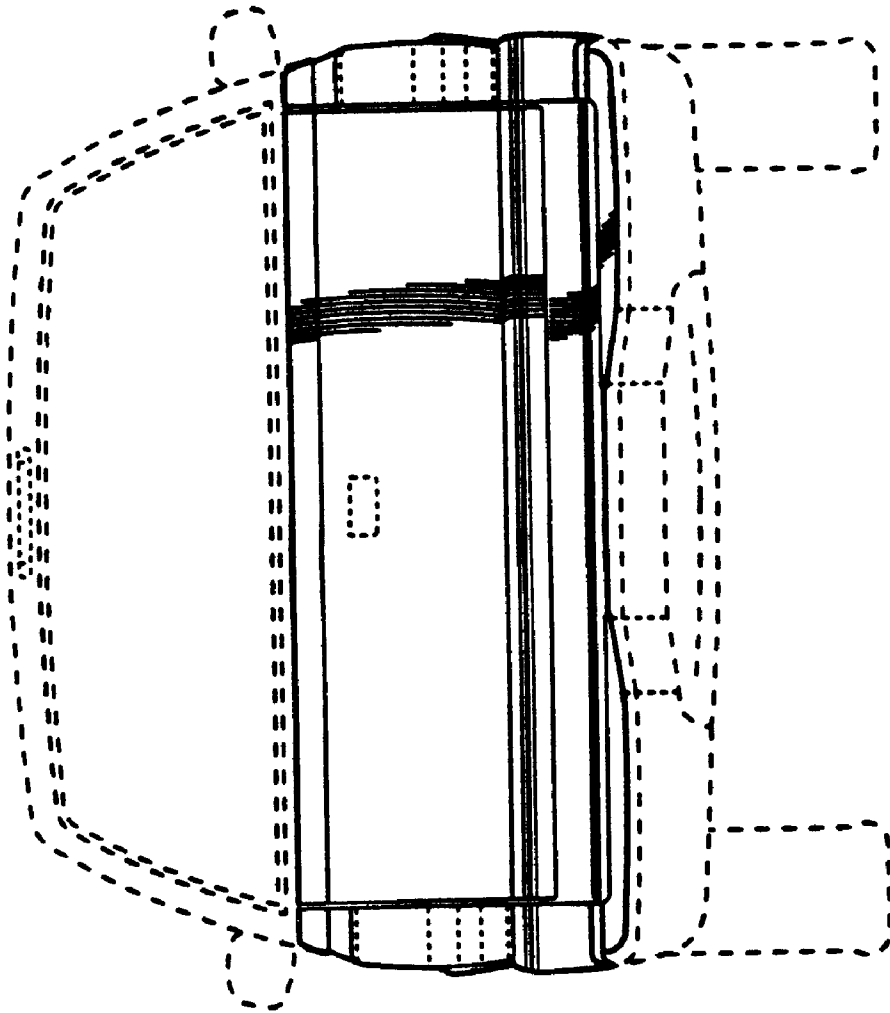


FIGURE 4

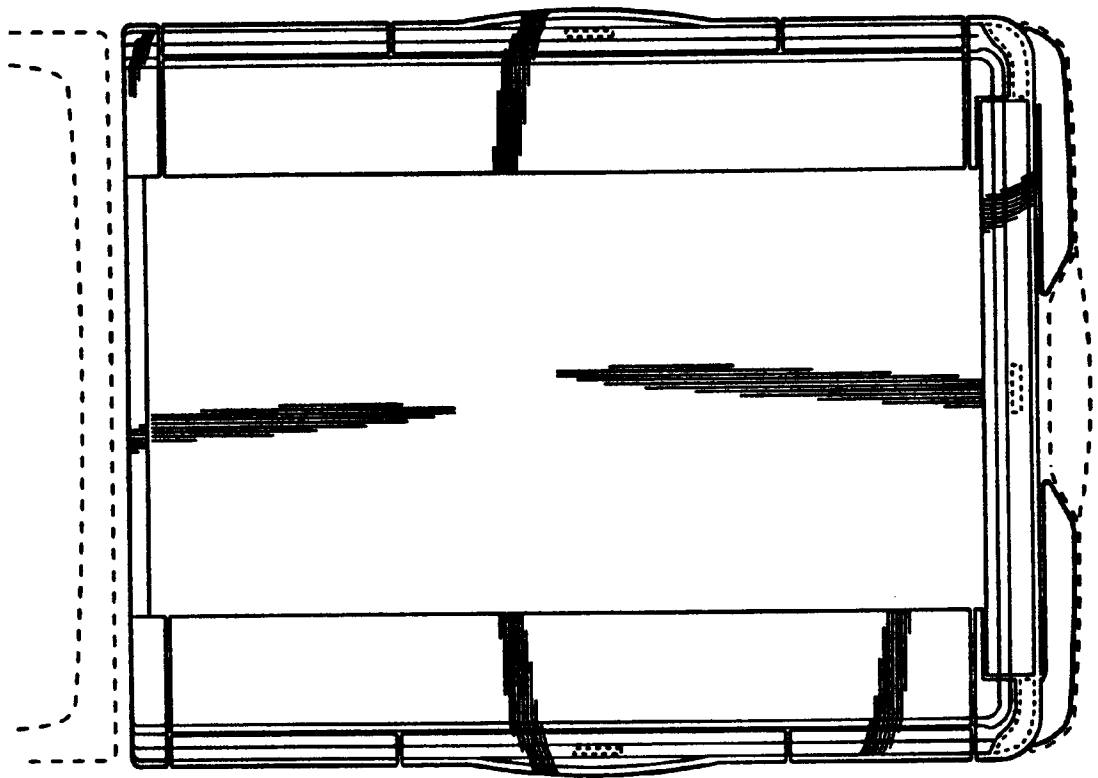


FIGURE 5