



US00D944640S

(12) **United States Design Patent**
Wu

(10) **Patent No.:** **US D944,640 S**

(45) **Date of Patent:** **** Mar. 1, 2022**

(54) **CONTAINER**

(71) Applicant: **TAISHAN ZHONGSHANG FOOD PACKAGING MANUFACTURING CO., LTD.**, Taishan (CN)

(72) Inventor: **Jingdong Wu**, Taishan (CN)

(73) Assignee: **TAISHAN ZHONGSHANG FOOD PACKAGING MANUFACTURING CO., LTD.**, Taishan (CN)

(**) Term: **15 Years**

(21) Appl. No.: **29/739,297**

(22) Filed: **Jun. 24, 2020**

(51) **LOC (13) Cl.** **09-03**

(52) **U.S. Cl.**
USPC **D9/425; D7/602**

(58) **Field of Classification Search**
USPC D9/414, 417, 420, 423, 424, 425, 430, D9/431, 432, 499, 428, 429, 434, 435, D9/436, 454, 426; D7/387, 392, 392.1, D7/396.1, 601, 602
CPC B65D 21/0223; B65D 51/1605; B65D 43/162; B65D 51/1683; B65D 51/16; B65D 43/02

See application file for complete search history.

(56) **References Cited**

U.S. PATENT DOCUMENTS

D469,689	S	*	2/2003	Buchalski	D9/425
D491,455	S	*	6/2004	Li	D9/428
D548,588	S	*	8/2007	Bouveret	D9/428
D549,050	S	*	8/2007	Spencer	D7/538
D592,499	S	*	5/2009	Colacitti	D7/354
D592,500	S	*	5/2009	Colacitti	D7/354
D594,324	S	*	6/2009	Colacitti	D7/354
D594,325	S	*	6/2009	Colacitti	D7/354
D594,326	S	*	6/2009	Colacitti	D7/354
D634,618	S	*	3/2011	Colacitti	D9/425

D663,615	S	*	7/2012	Liang	D9/425
D664,427	S	*	7/2012	Chen	D9/425
D680,861	S	*	4/2013	Chen	D9/429
D688,941	S	*	9/2013	Sifuentes	D9/432
D689,363	S	*	9/2013	Sundy	D9/429
D696,111	S	*	12/2013	Sundy	D9/429
D769,113	S	*	10/2016	Chen	D9/425
D792,759	S	*	7/2017	Foster	D9/424
D801,170	S	*	10/2017	Wu	D9/425

(Continued)

OTHER PUBLICATIONS

Taishan Zhongshang Food Packaging Manufacturing Co. Ltd. F-7524. Publication date unavailable. Visited Dec. 28, 2021. <http://www.gdzscc.com/product/938.html> (Year: 0).*

(Continued)

Primary Examiner — Darcey E Gottschalk
Assistant Examiner — Vanessa M. Pursley
(74) *Attorney, Agent, or Firm* — Innovation Capital Law Group, LLP; Vic Lin

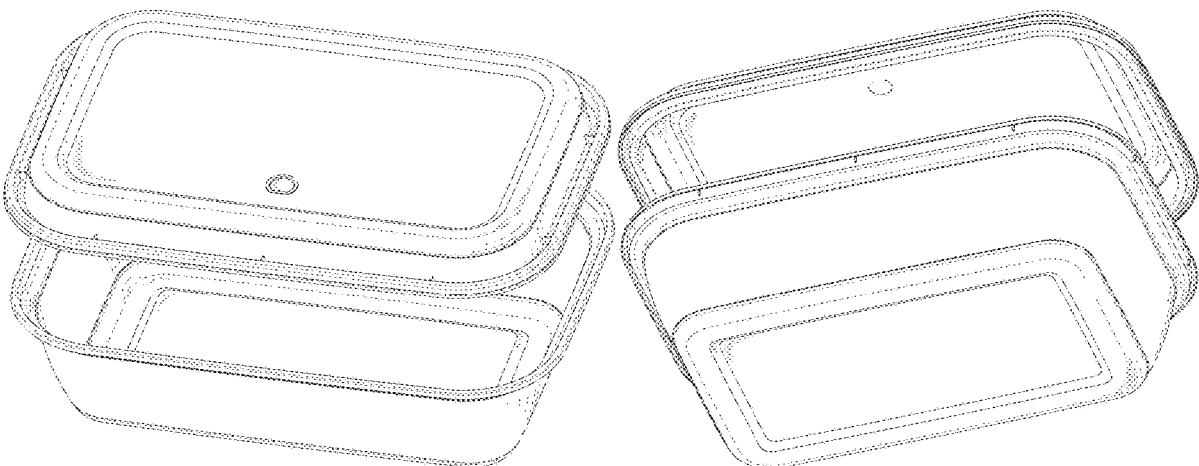
(57) **CLAIM**

The ornamental design for a container, as shown and described.

DESCRIPTION

FIG. 1 is a front elevation view of a container;
FIG. 2 is a right elevation view of the container;
FIG. 3 is a top plan view of the container;
FIG. 4 is a bottom plan view of the container;
FIG. 5 is a top perspective view of the container;
FIG. 6 is a bottom perspective view of the container;
FIG. 7 is a front cross-section view of the container, taken along line 7-7 of FIG. 3;
FIG. 8 is a top perspective exploded view of the container, shown in an exploded configuration; and,
FIG. 9 is a bottom perspective exploded view of the container, shown in an exploded configuration.

1 Claim, 9 Drawing Sheets



(56)

References Cited

U.S. PATENT DOCUMENTS

D854,380	S	*	7/2019	Yang	D7/602
D880,248	S	*	4/2020	Zhen	D7/602
D886,586	S	*	6/2020	Wu	D9/425
D909,141	S	*	2/2021	Hartley	D7/602
D909,142	S	*	2/2021	Hartley	D7/602
D926,028	S	*	7/2021	Huang	D9/425
2017/0334611	A1	*	11/2017	Wu	B65D 25/24
2018/0022517	A1	*	1/2018	Wu	B65D 43/0208 220/780
2020/0339304	A1	*	10/2020	Wu	B65D 43/0249
2021/0229877	A1	*	7/2021	Ragias	B65D 45/20
2021/0300661	A1	*	9/2021	Chen	B65D 81/2038

OTHER PUBLICATIONS

Amazon. Meal Prep Plastic Microwavable Food Containers. First available Mar. 9, 2018. Visited Dec. 28, 2021. <https://www.amazon.com/Microwavable-Containers-Rectangular-BPA-Free-Dishwasher/dp/B079M174TQ/> (Year: 2018).*

* cited by examiner

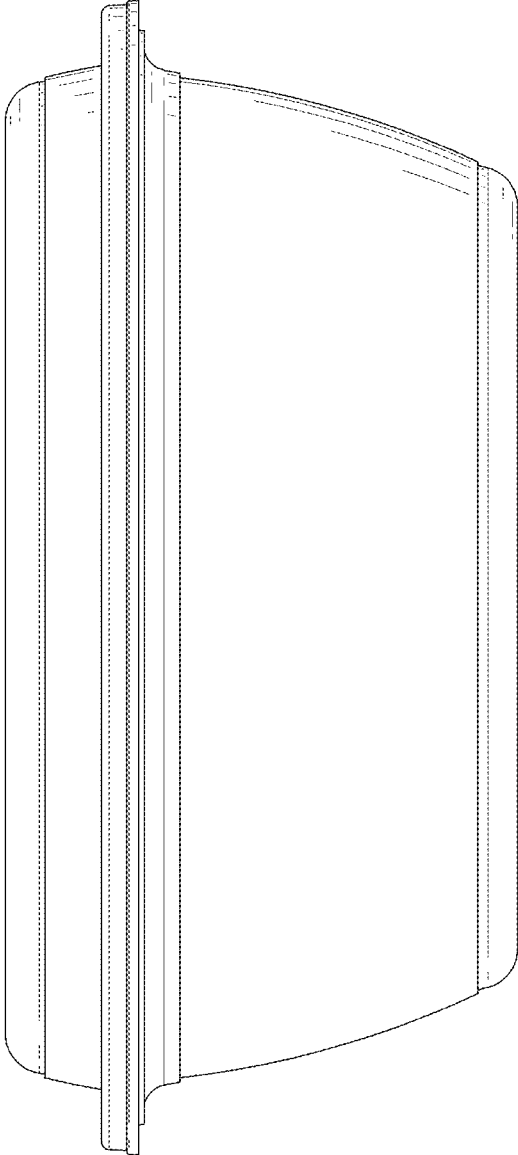


FIG. 1

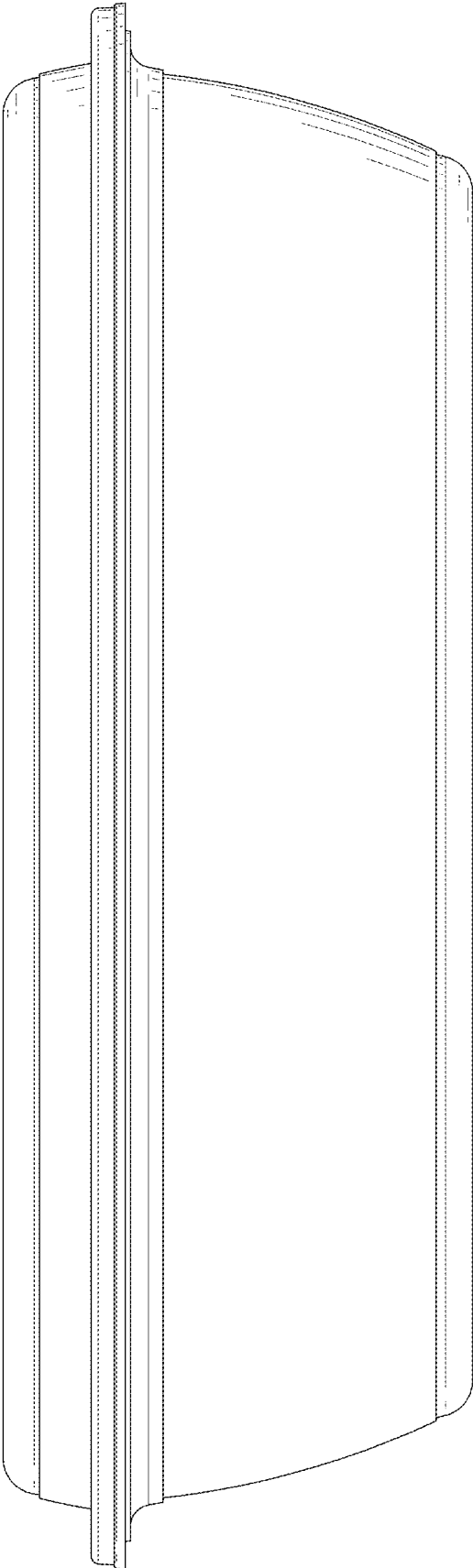


FIG. 2

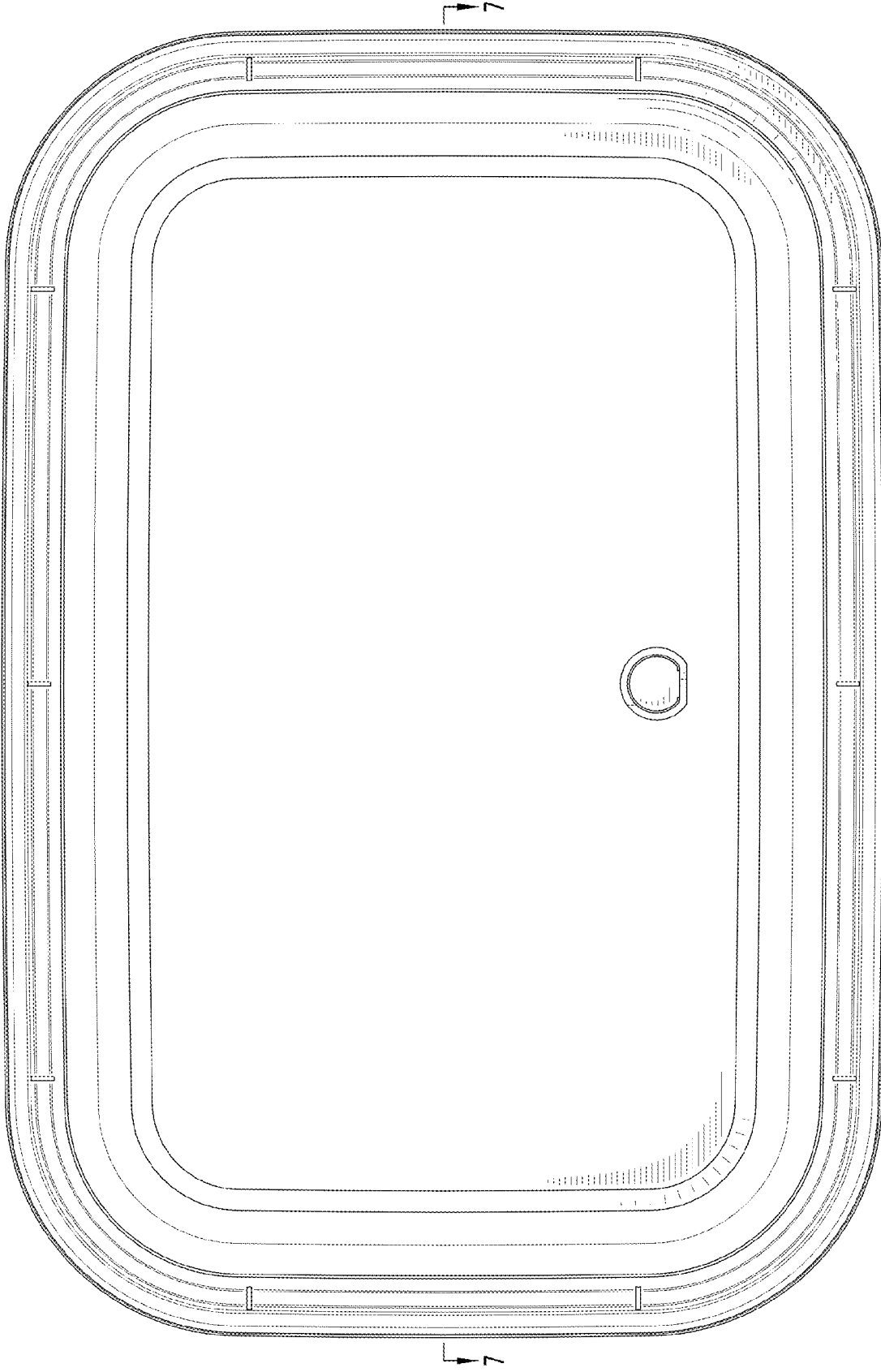


FIG. 3

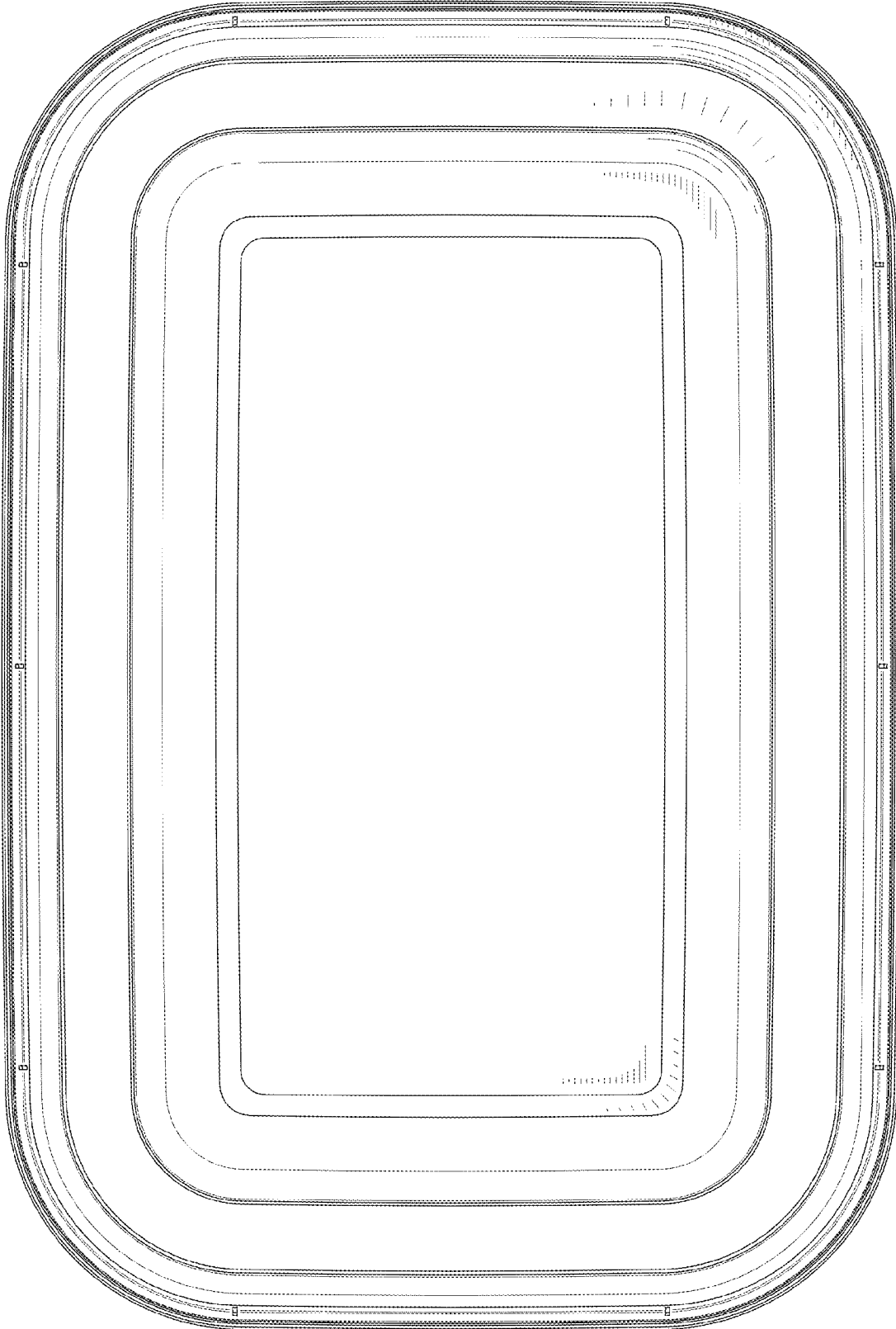


FIG. 4

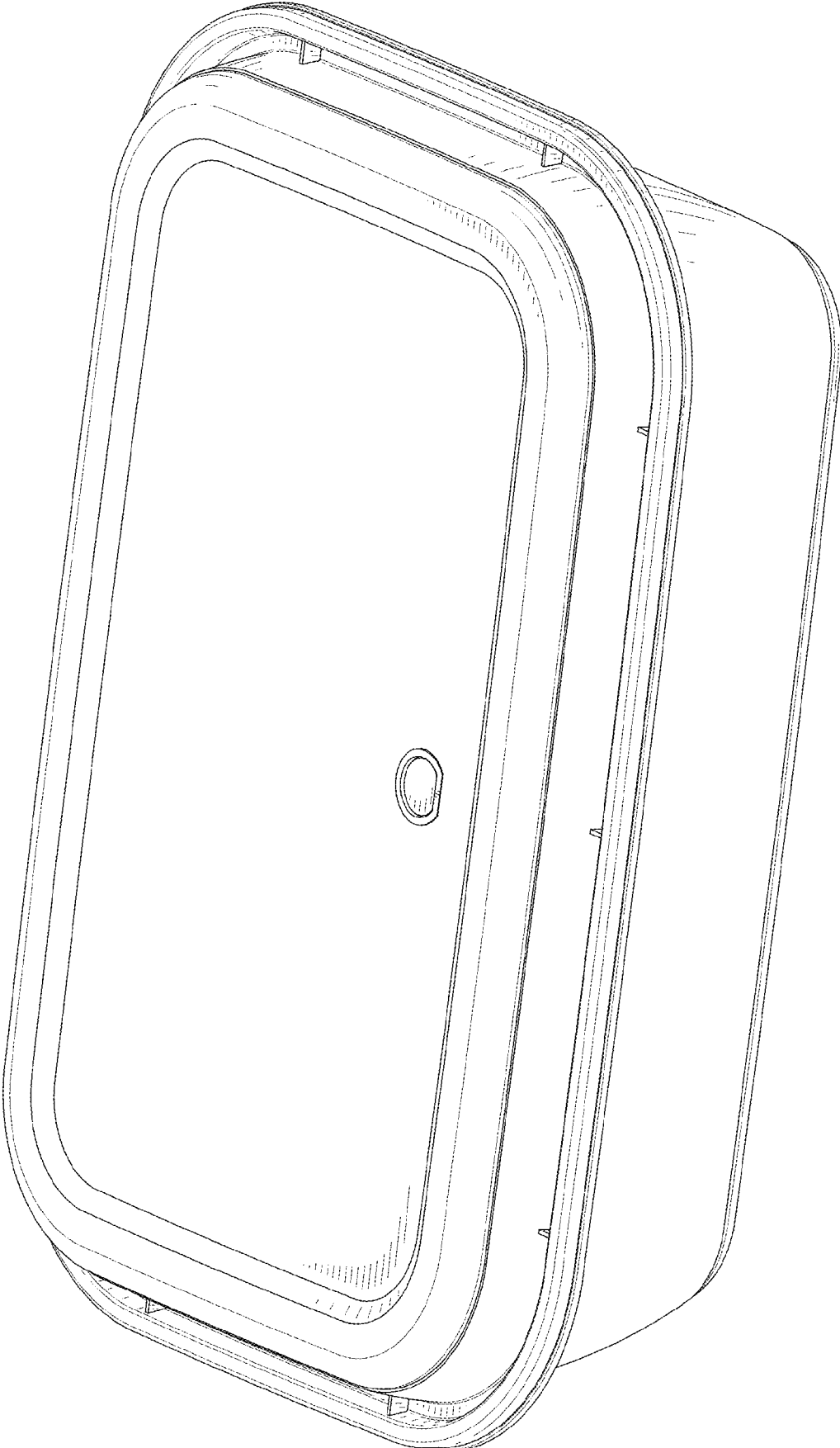


FIG. 5

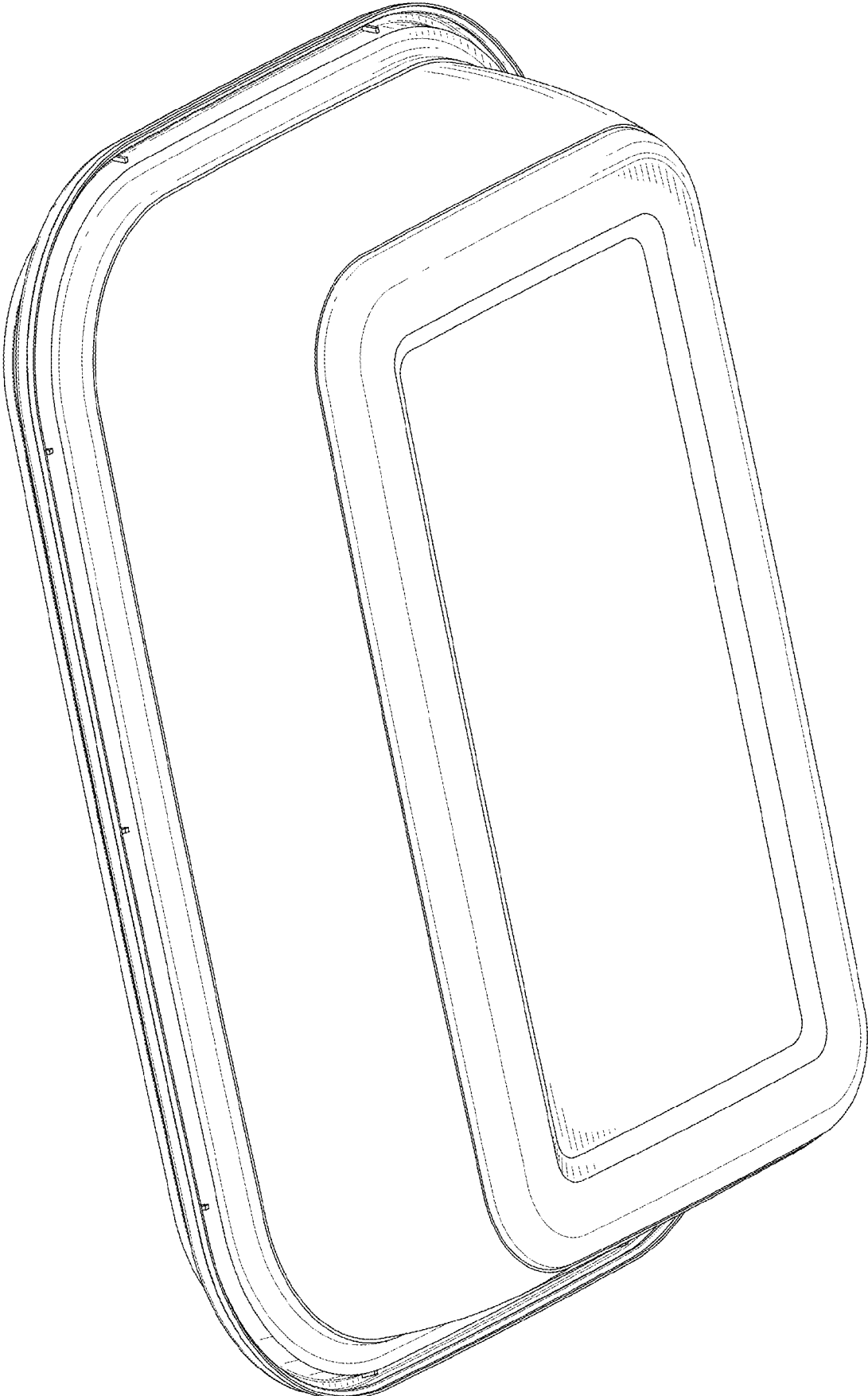


FIG. 6

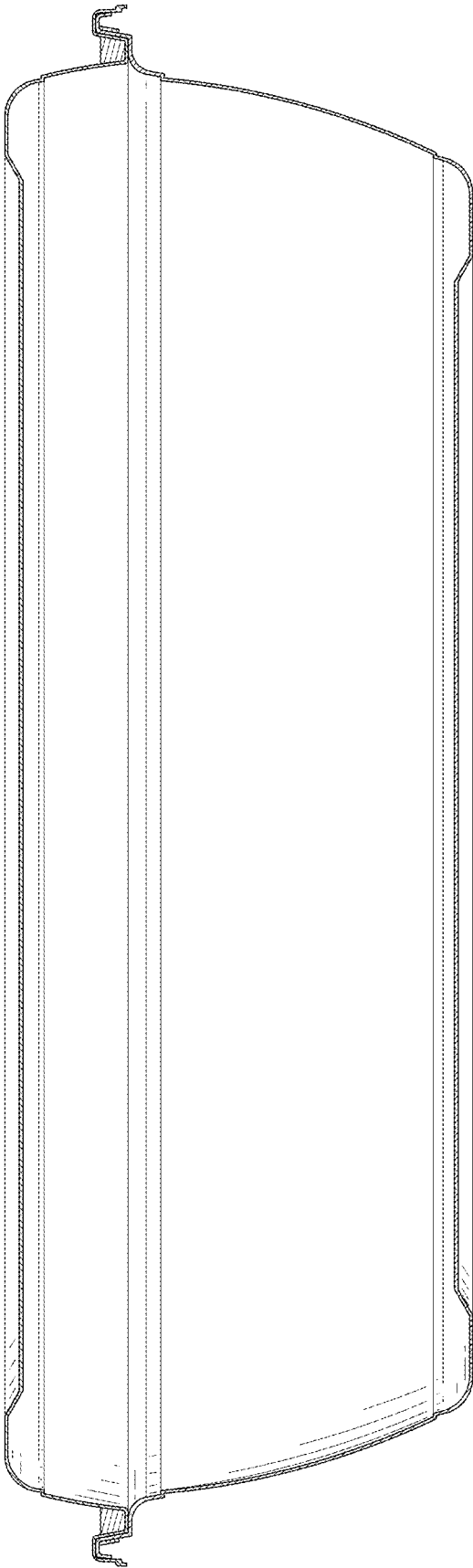


FIG. 7

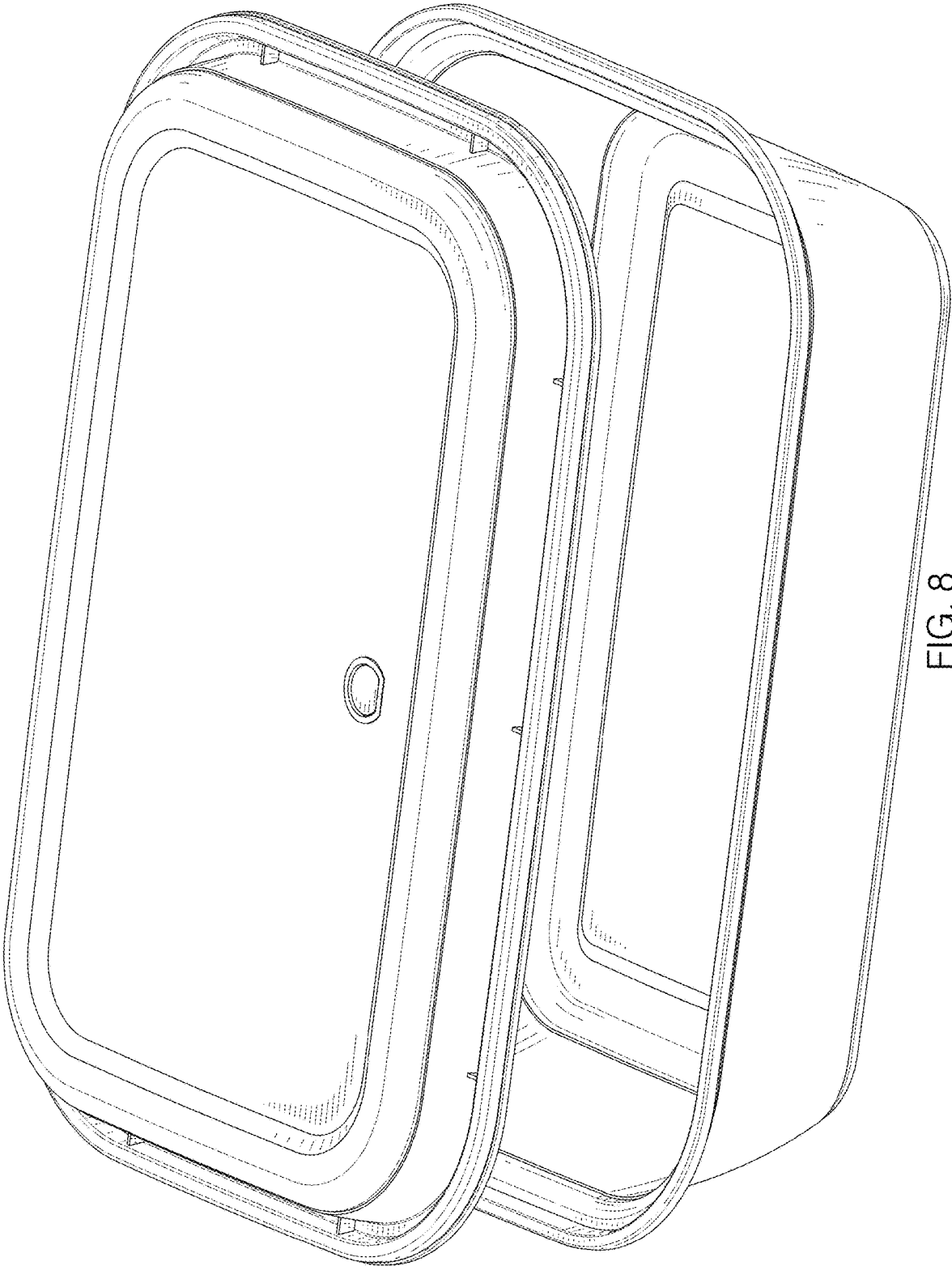


FIG. 8

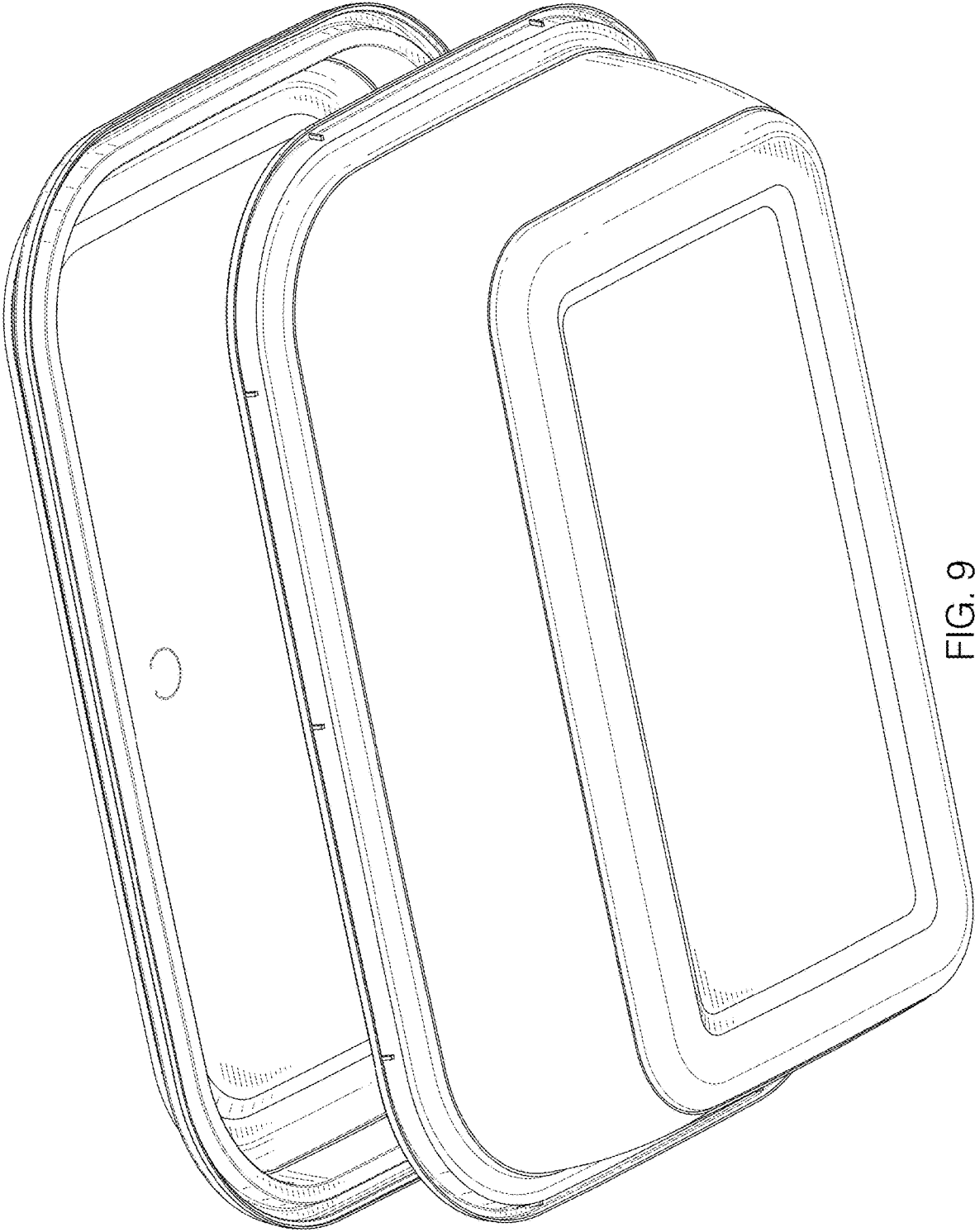


FIG. 9