



US0D1030298S

(12) **United States Design Patent**
Darst et al.

(10) **Patent No.:** **US D1,030,298 S**

(45) **Date of Patent:** **** Jun. 11, 2024**

(54) **CHILD RESISTANT PILL CONTAINER**

FOREIGN PATENT DOCUMENTS

(71) Applicant: **Apothecary Products, LLC,**
Burnsville, MN (US)

KR 300849705.0000 * 4/2016

(72) Inventors: **Daniel Darst,** Zimmerman, MN (US);
Jennifer Joy Kallemeyn, Savage, MN (US)

OTHER PUBLICATIONS

Amazon.com, Site visited Jul. 11, 2023, Take Six Travel Pill Bottle, Date first available, Apr. 15, 2018, <https://www.amazon.com/Take-SixTM-Pill-Bottle-Multi-Compartment/dp/B07C6ZLRZB> (Year: 2018).*

(73) Assignee: **Apothecary Products, LLC,**
Burnsville, MN (US)

(Continued)

(**) Term: **15 Years**

Primary Examiner — Brett Miller

Assistant Examiner — Jessica M Gebhart

(21) Appl. No.: **29/756,245**

(74) *Attorney, Agent, or Firm* — Merchant & Gould P.C.

(22) Filed: **Oct. 27, 2020**

(51) **LOC (14) Cl.** **03-01**

(52) **U.S. Cl.**

USPC **D3/203.3;** D3/203.2; D3/203.4

(58) **Field of Classification Search**

USPC D3/203.1, 203.2, 203.3, 203.4, 203.5,
D3/203.6, 203.7, 203.8, 200, 201, 215,
D3/218, 226; D9/428

CPC A45F 5/02; A45F 3/00; B65D 83/0454;
G07F 11/54

See application file for complete search history.

(57) **CLAIM**

The ornamental design for a child resistant pill container, as shown and described.

DESCRIPTION

FIG. 1 is a perspective view of an embodiment of a child resistant pill container

FIG. 2 is a front view thereof;

FIG. 3 is a rear view thereof;

FIG. 4 is a right side view thereof;

FIG. 5 is a left side view thereof;

FIG. 6 is a top plan view thereof; and

FIG. 7 is a bottom plan view thereof;

FIG. 8 is a perspective view of another embodiment of a child resistant pill container;

FIG. 9 is a front view thereof;

FIG. 10 is a rear view thereof;

FIG. 11 is a right side view thereof;

FIG. 12 is a left side view thereof;

FIG. 13 is a top plan view thereof; and,

FIG. 14 is a bottom plan view thereof.

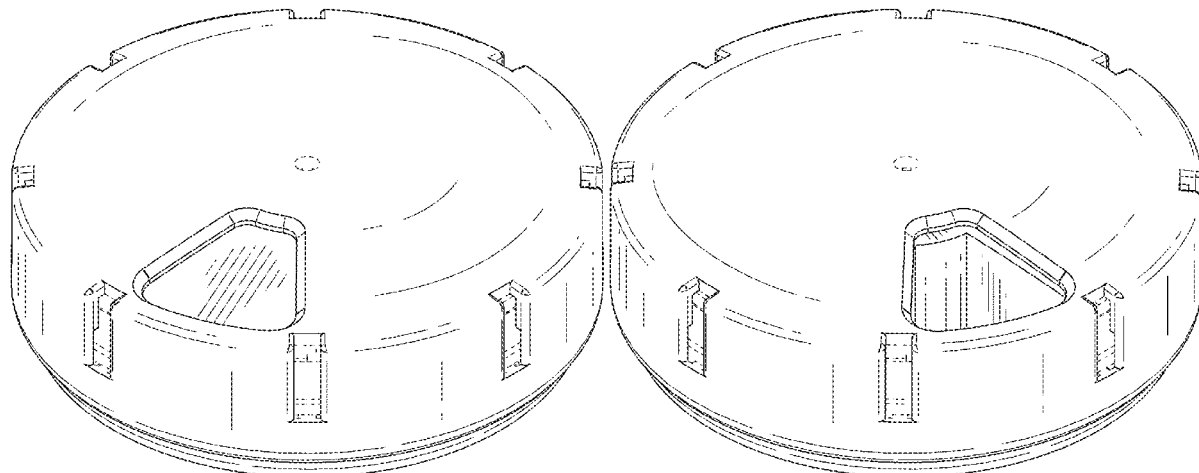
(56) **References Cited**

U.S. PATENT DOCUMENTS

4,057,145	A	11/1977	Wray et al.	
4,164,301	A *	8/1979	Thayer	B65D 83/0454 292/84
4,261,468	A *	4/1981	Krebs	B65D 83/0454 220/525
D298,512	S *	11/1988	Gotlib	D3/203.4
5,213,213	A	5/1993	Bunin	
5,322,166	A *	6/1994	Crowther	B65D 83/0454 221/277
5,782,359	A	7/1998	McAllister et al.	
6,000,546	A	12/1999	Noble	
D451,666	S *	12/2001	Zastrow	D3/203.3
6,631,805	B2	10/2003	Bramen	

(Continued)

1 Claim, 10 Drawing Sheets



(56)

References Cited

U.S. PATENT DOCUMENTS

7,147,127	B2 *	12/2006	Lepke	B65D 83/0454 221/83
D547,940	S *	8/2007	Sandy	D3/203.2
7,494,012	B1	2/2009	Priebe et al.	
7,798,330	B2	9/2010	Noble et al.	
D683,497	S *	5/2013	Ghiotti	D9/428
D696,010	S	12/2013	Priebe et al.	
D746,046	S *	12/2015	Lee	D3/203.3
D785,314	S *	5/2017	Noble	D3/203.2
D806,380	S *	1/2018	Hines	D3/203.2
D850,782	S	6/2019	Lee et al.	
10,420,703	B1	9/2019	Lee	
2003/0205496	A1	11/2003	Howard et al.	
2005/0205595	A1 *	9/2005	Lepke	G07F 11/54 221/87
2006/0163267	A1 *	7/2006	Lapsker	G07F 11/54 221/2
2013/0056385	A1	3/2013	Thompson et al.	

OTHER PUBLICATIONS

Amazon.com, Site visited Jul. 11, 2023, Polytree-US Portable Pill Organizer, Date first available, Jun. 19, 2019, <https://www.amazon.com/Polytree-Portable-Organizer-Supplements-Medication/dp/B07TC6B638?th=1> (Year: 2019).*

Amazon.com, Site visited Jul. 11, 2023, Universal Round Portable Daily Pill Holder, Date first available, Apr. 16, 2018, <https://www.amazon.com/dp/B07CGF88H9> (Year: 2018).*

Amazon, “Weekly Locking Pill Organizer Container—Pill Sorter 7 Day” first date of publication unknown, https://www.amazon.com/Weekly-Locking-Pill-Organizer-Container/dp/B07YWXRTG4/ref=sr_1_4?crd=1LMCWHZ47HK7W&dchild=1&keywords=child+proof+pill+organizer&qid=1590588928&s=hpc&%E2%80%A6, (last visited May 28, 2020).

* cited by examiner

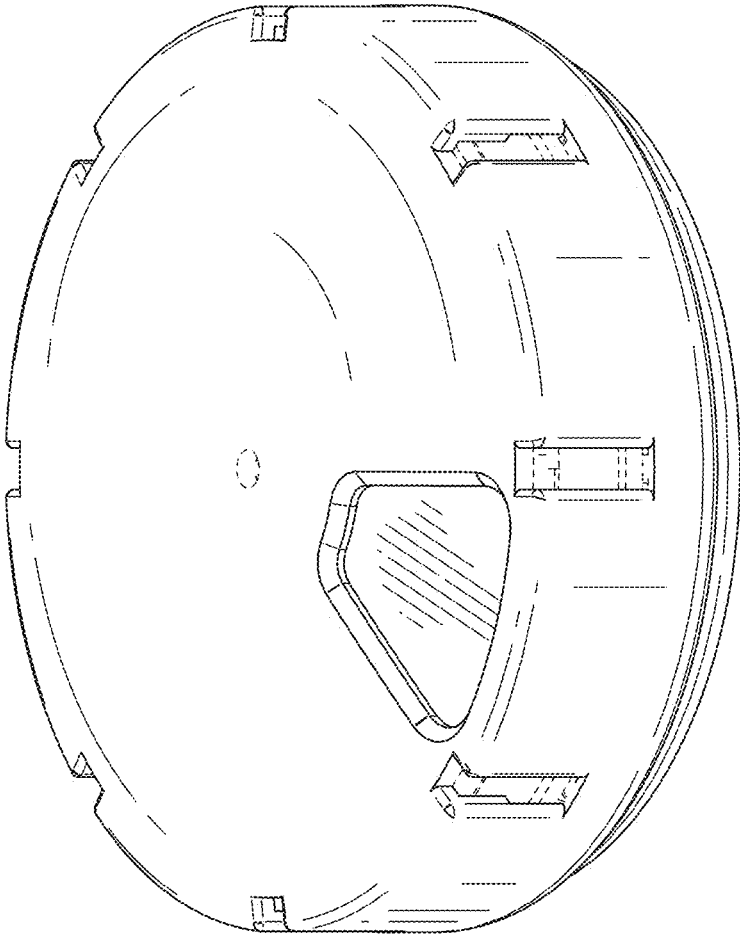


FIG. 1

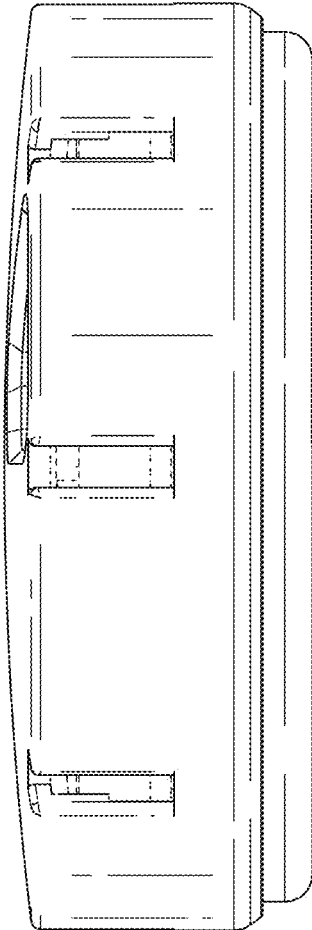


FIG. 2

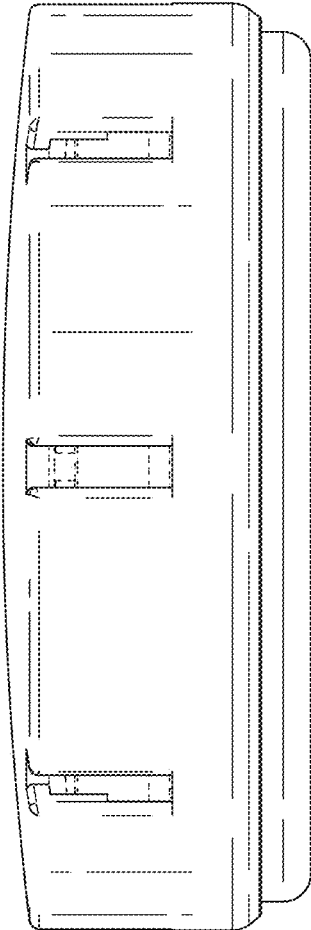


FIG. 3

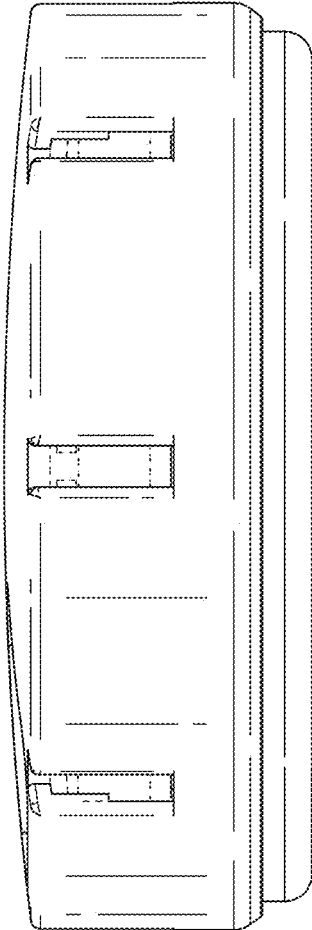


FIG. 4

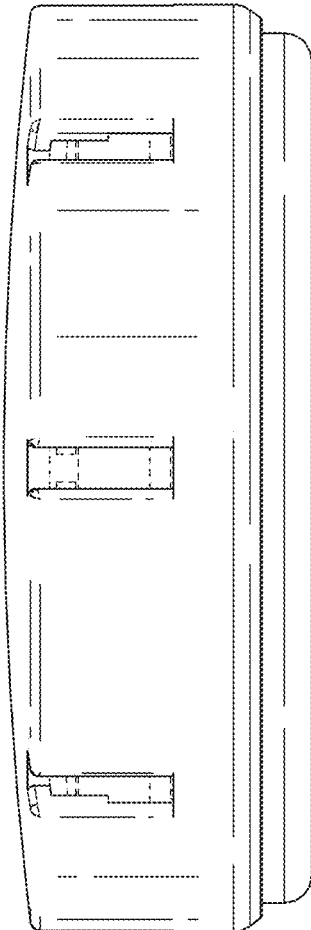


FIG. 5

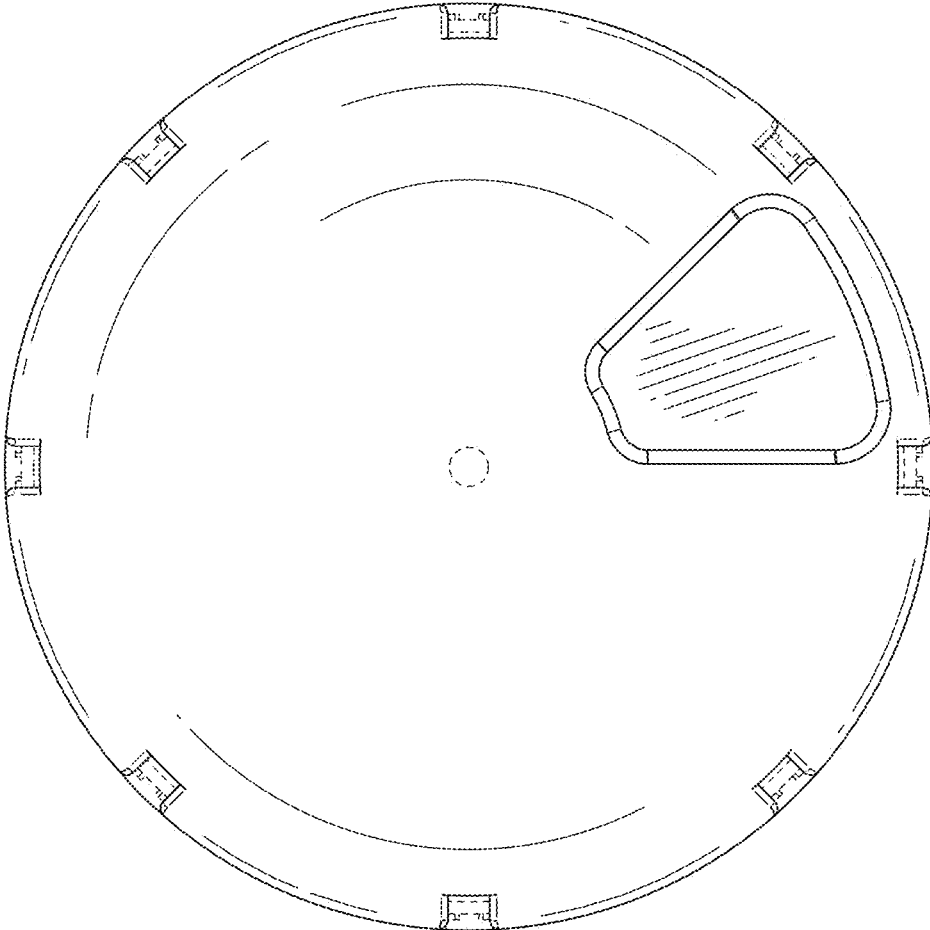


FIG. 6

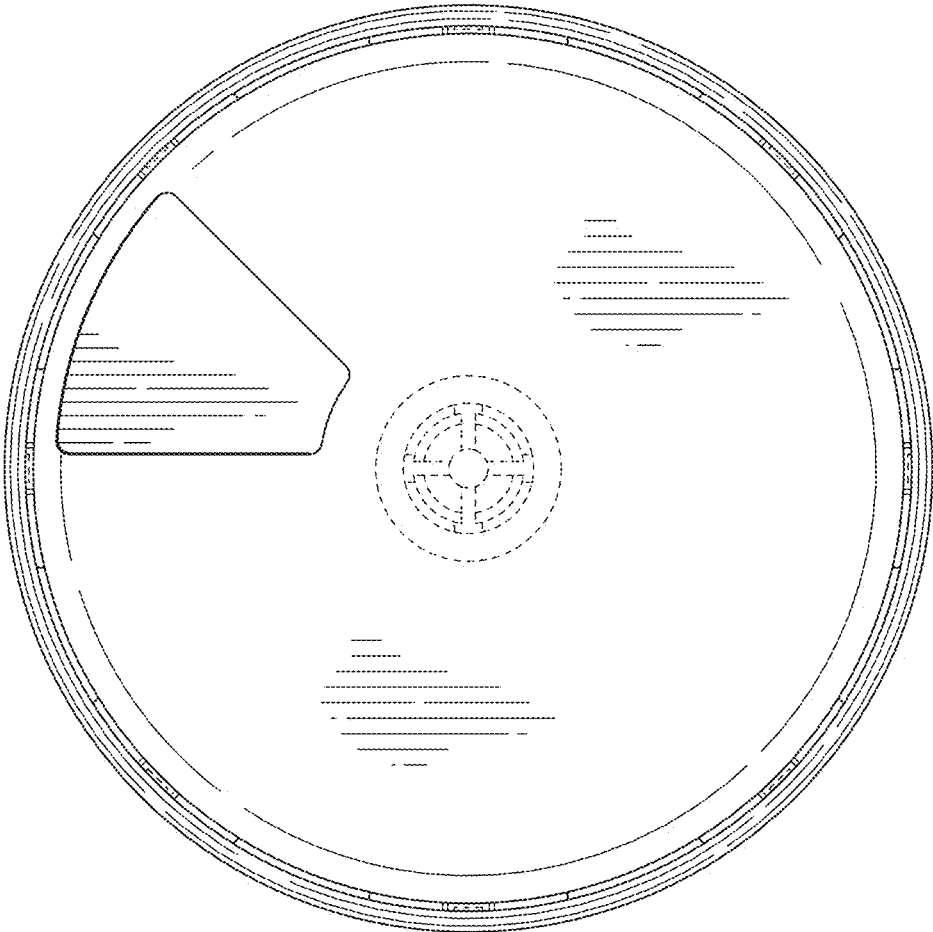


FIG. 7

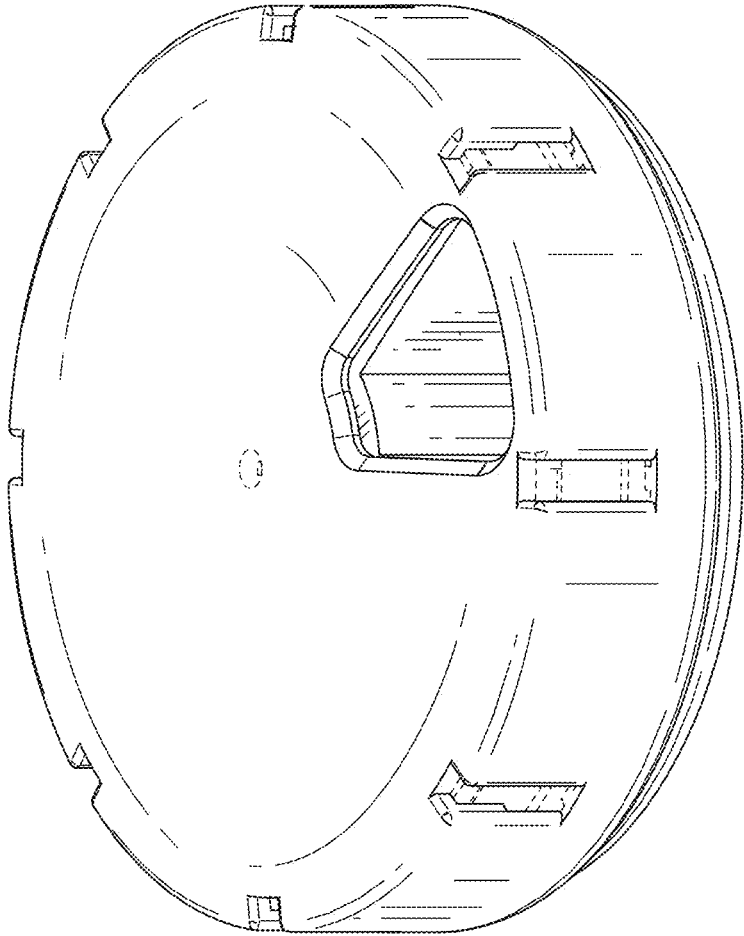


FIG. 8

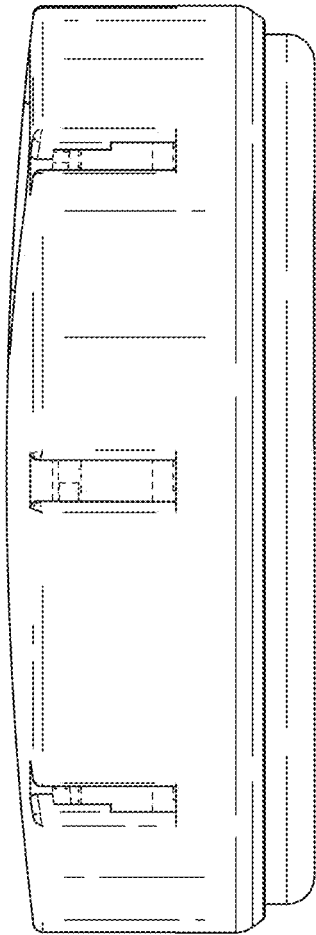


FIG. 9

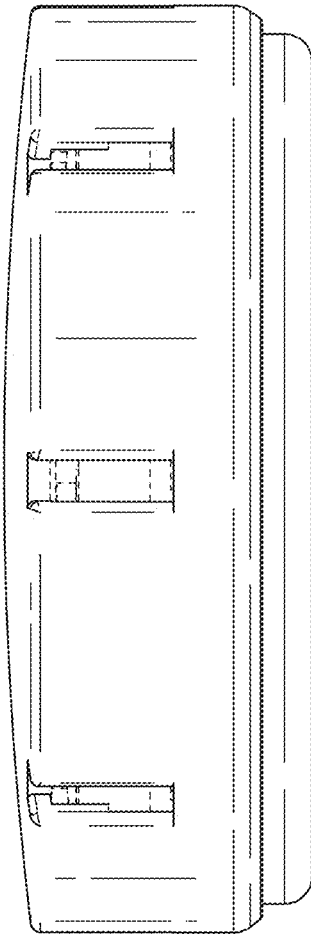


FIG. 10

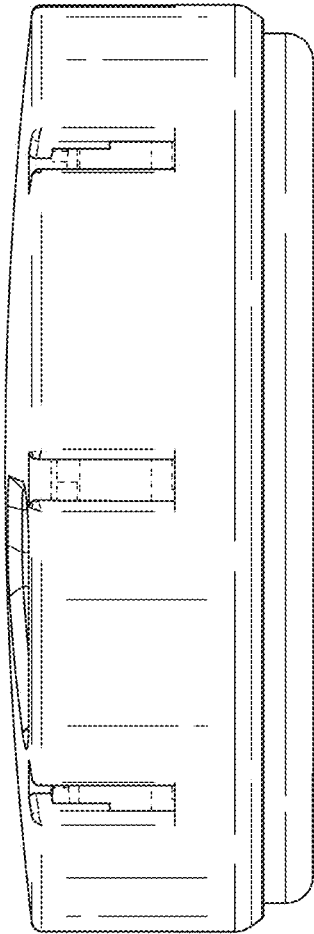


FIG. 11

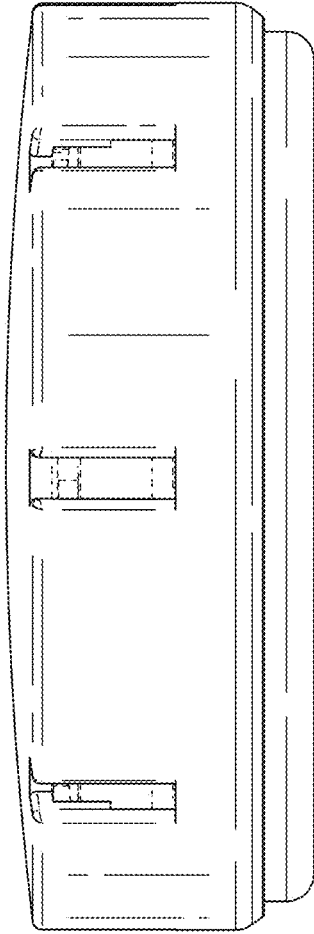


FIG. 12

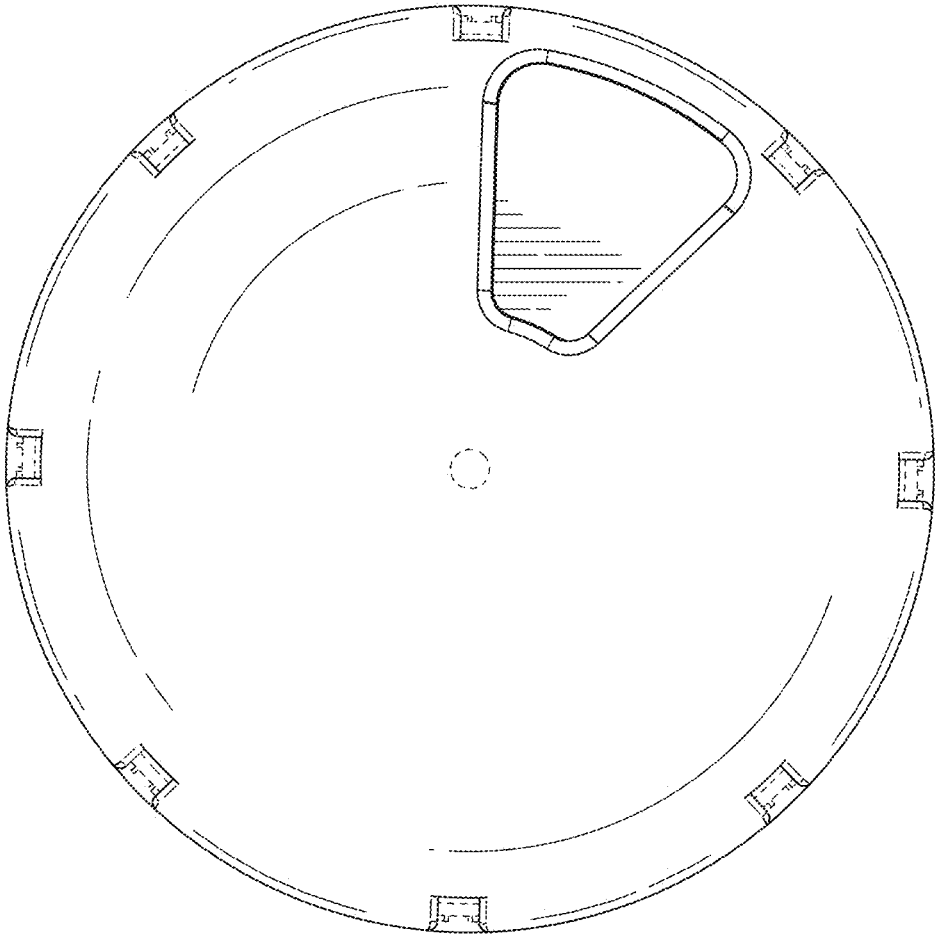


FIG. 13

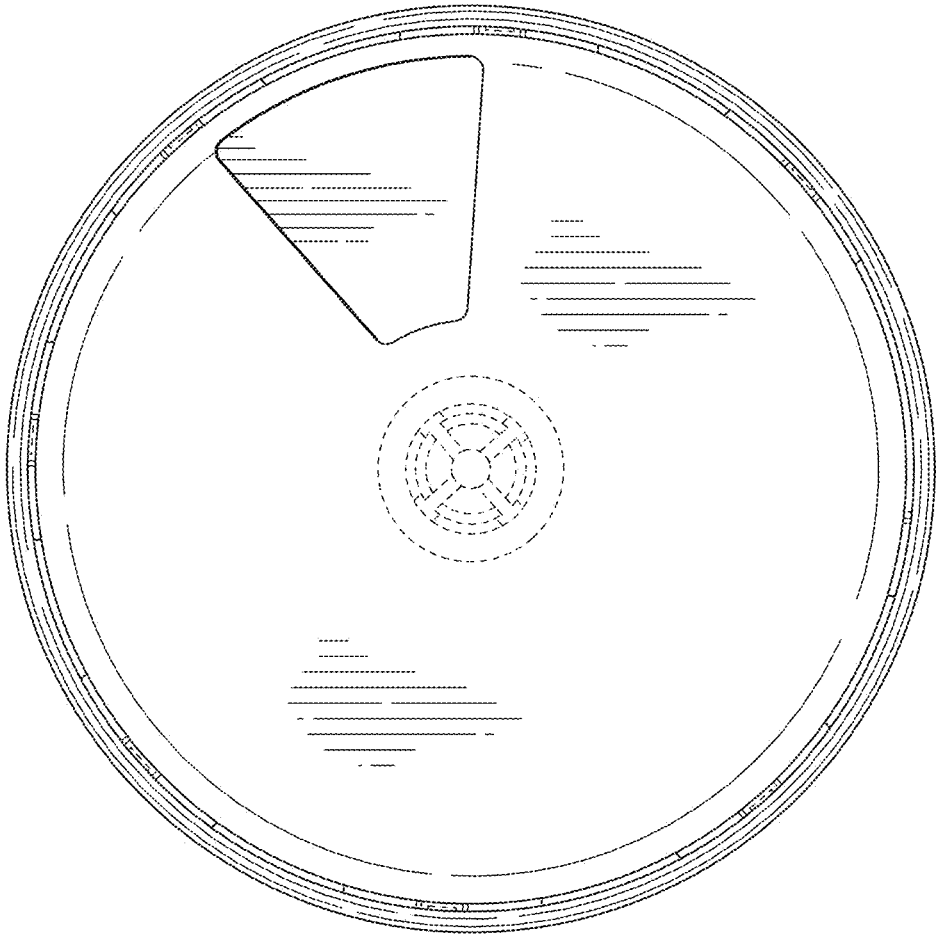


FIG. 14