

(12) **UK Patent Application** (19) **GB** (11) **2 314 261** (13) **A**

(43) Date of A Publication **24.12.1997**

(21) Application No **9707620.2**  
(22) Date of Filing **17.04.1997**  
(30) Priority Data  
(31) **9609456** (32) **07.05.1996** (33) **GB**

(71) Applicant(s)  
**Arnold Edwin George Tarrant**  
**44 Howards Way, NEWTON ABBOT, Devon,**  
**TQ12 4HU, United Kingdom**  
(72) Inventor(s)  
**Arnold Edwin George Tarrant**  
(74) Agent and/or Address for Service  
**Arnold Edwin George Tarrant**  
**44 Howards Way, NEWTON ABBOT, Devon,**  
**TQ12 4HU, United Kingdom**

(51) INT CL<sup>6</sup>  
**A47C 20/02**  
(52) UK CL (Edition O )  
**A4L LAL LBEQ L149 L150**  
**A4M M4A**  
(56) Documents Cited  
**GB 2263231 A GB 2194883 A GB 1394389 A**  
**GB 0758091 A GB 0348821 A US 4074373 A**  
(58) Field of Search  
UK CL (Edition O ) **A4L LABA LABB LAL LBEJ LBEQ**  
**LBES LCR LCX , A4M.**  
INT CL<sup>0</sup> **A47C 20/00 20/02 21/00 21/02 , A47G 9/00**  
**9/04**  
**Online: WPI**

(54) **Removable support strap**

(57) A device which can be releasably attached to a bed to prevent a person who is sitting in the bed from slipping down it is disclosed. The device comprises a strap which has a tunnel of a flexible material attached thereto and into which is inserted a support. In use, the strap is secured to a bed beneath the occupant with the tunnel and supporting insert beneath his buttocks and at the top of his legs.

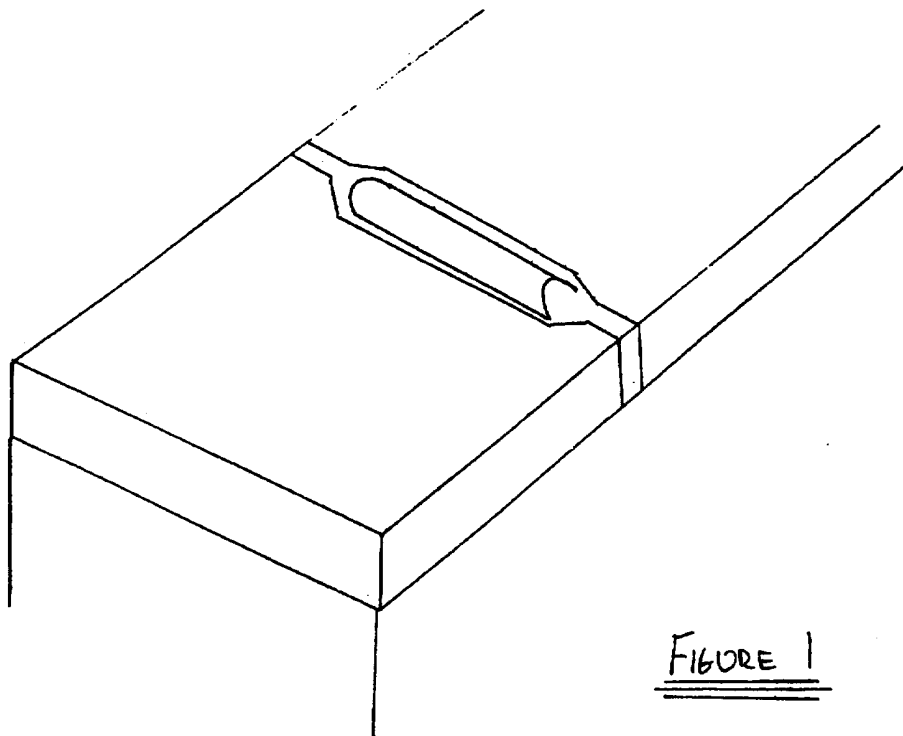
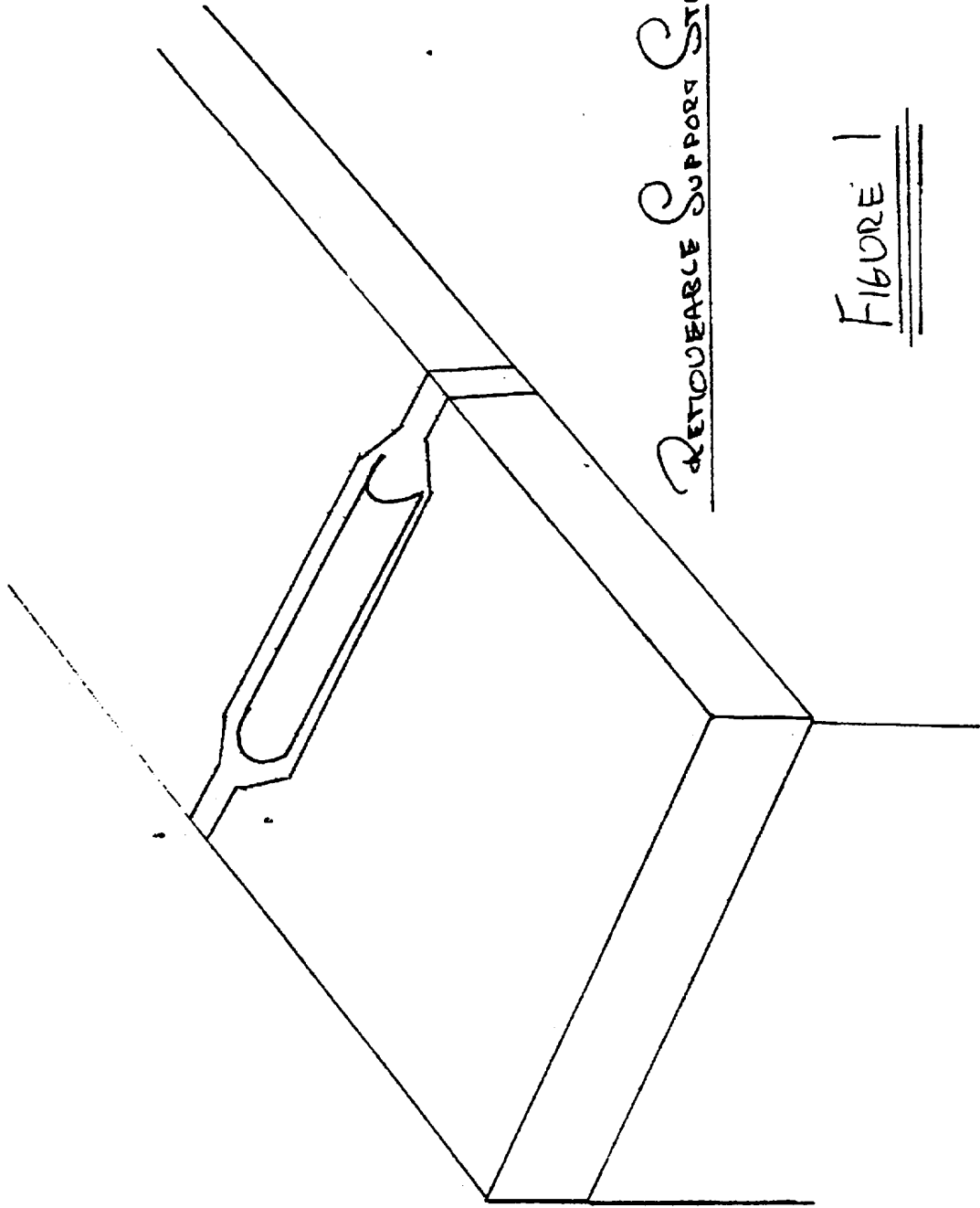


FIGURE 1

**GB 2 314 261 A**



REMOVABLE SUPPORT STRAP

FIGURE 1

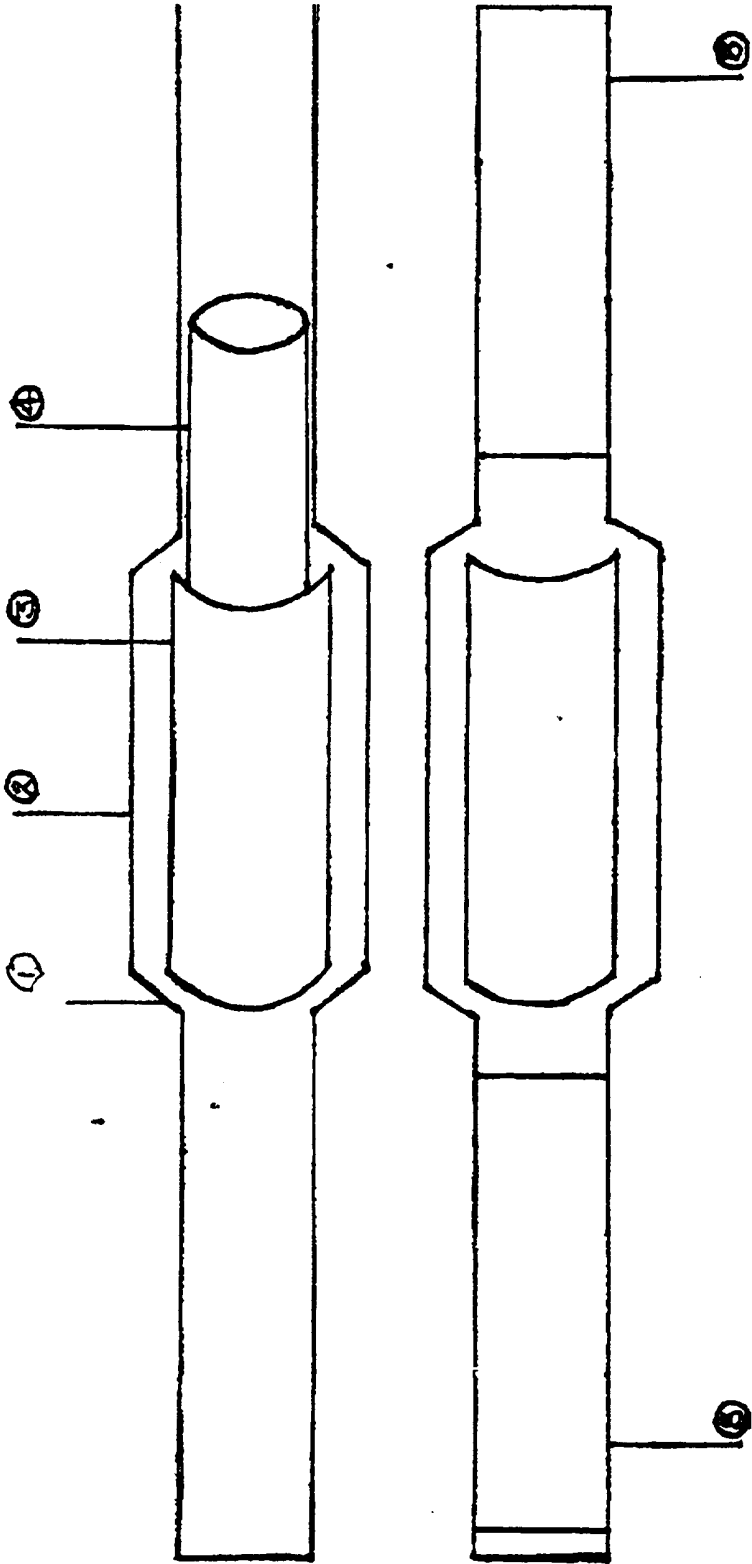
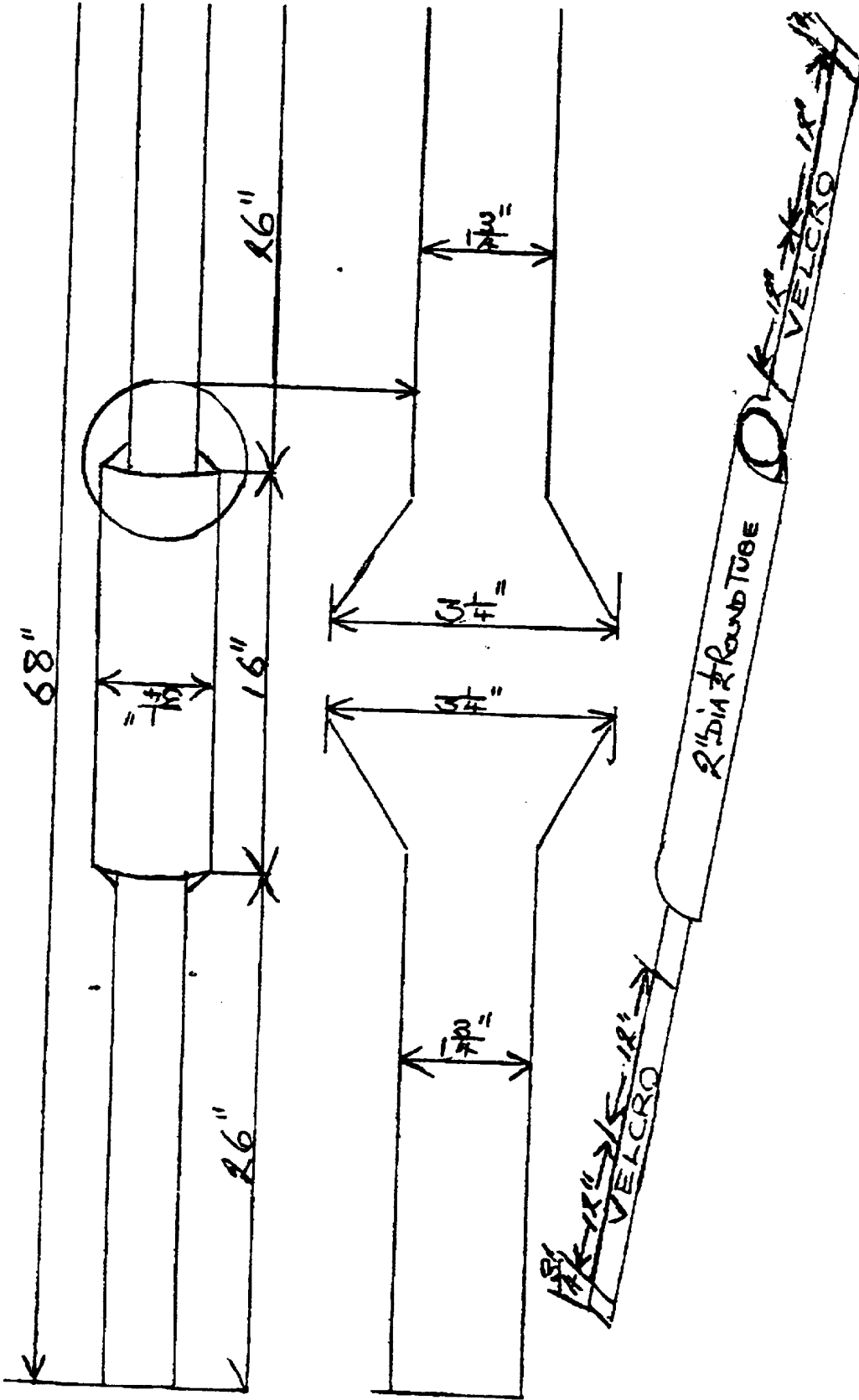


Figure 2

REMOVEABLE SUPPORT STRAP



PATIENT  
RETROVEABLE SUPPORT STRAP

FIGURE 3

**REMOVEABLE SUPPORT STRAP**

This invention relates to a removable device to prevent a person who is sitting in bed from slipping down the bed.

Whilst a person is sitting or propped against pillows in bed there is a tendency to slip down the bed causing the person to require repositioning back in the sitting position. This especially occurs whilst the person is a patient in hospital due to illness or injury where the person will require assistance to regain the sitting position. It is well known that when an incapacitated person is in bed and slides down from the sitting position that person requires the assistance of another, i.e. a nurse, to be lifted back into the sitting position. This entails the person waiting for assistance and the time and energy expended by the person assisting together with the inherent possibility of the person assisting suffering an injury due to the lifting of the person in bed.

The invention is a support device to prevent a person slipping down the bed whilst in the sitting position thereby providing comfort for the person in bed and saving time, energy and the possibility of injury to the person lifting. The invention is easily positioned, installed and removed and is easily cleansed.

According to the present invention there is provided a removable support strap comprising a flexible material strap secured to a non-slip material, a means of a releaseable attachment to a bed at each end of the strap and an insert in the flexible material strap to provide a means of stopping a person from slipping down a bed.

A specific embodiment of the invention will now be described by way of example with reference to the accompanying drawings in which :-

Figure 1 shows in perspective, the removeable support strap in position on a bed;

Figure 2 shows the removeable support strap.

Figure 3 shows the removeable support strap with suggested dimensions .

Referring to the drawing 2 the removeable support strap comprises a flexible material strap 2, with a flexible material tunnel 3, into which is inserted a means of support 4, for example, pipe cladding, tube of gel or similar means, a releaseable form of attachment to or underneath a bed by, for example, 'Velcro'<sup>(R T M)</sup>, buckles or similar means at each end of the strap 5 and 5.

With a person in the sitting position on a bed the removeable support strap is placed upon the bed beneath the person's buttocks at the top of their legs and the removeable support strap is then secured to the bed at each side or underneath the bed.

In order to support different sized people the insert in the tunnel can be of various sizes. The flexible material strap is attached to a non-slip material 1, to avoid the strap sliding down the bed.

To remove the removeable support strap it is released from the bed from each side or underneath and slid out.

When attached to the bed the device prevents the person in bed from slipping down the bed yet still permits them all normal movements and greatly increases their comfort whilst confined to bed and avoids the necessity of waiting and asking for assistance. The removeable support strap will also save the time expended by anyone assisting and avoid the risk of injury due to the lifting procedure which is prevalent amongst nurses due to the lifting of patients.

Handwritten notes and a stamp are present in the bottom right corner of the page. The stamp is partially legible and appears to contain the text "Patented" and "1958".

## CLAIMS

1. A removeable support strap comprising a flexible material strap with a non-slip underside and a flexible material tunnel into which is inserted a means of support and a means of securing the removeable support strap to a bed from each side or underneath.
2. A removeable support strap as claimed in Claim 1 wherein the flexible material strap is provided with a non-slip underside to prevent the removeable support strap from sliding down the bed.
3. A removeable support strap as claimed in any preceding claim wherein the flexible material strap is provided with a flexible material tunnel into which can be inserted forms of support of various sizes.
4. A removeable support strap as claimed in any preceding claim wherein the removeable strap is provided with a means of attachment to a bed from each side or underneath.
5. A removeable support strap substantially as described herein with reference to Figures 1, 2 and 3 of the accompanying drawing.



Application No: GB 9707620.2  
Claims searched: 1-5

Examiner: Neil Franklin  
Date of search: 24 June 1997

**Patents Act 1977**  
**Search Report under Section 17**

**Databases searched:**

UK Patent Office collections, including GB, EP, WO & US patent specifications, in:  
UK CI (Ed.O): A4L (LABA,LABB,LAL,LBEJ,LBES,LBEQ,LCR,LCX) A4M  
Int CI (Ed.6): A47C 20/00,20/02,21/00,21/02 A47G 9/00,9/04  
Other: Online: WPI

**Documents considered to be relevant:**

Category	Identity of document and relevant passage	Relevant to claims
Y	GB 2 263 231A (McGARRIGIE) See straps in Figure 1	1 at least
Y	GB 2 194 883A (ERKELENZ) See strap 24 in Figure 1	1 at least
Y	GB 1 394 389 (UNIVERSAL OIL) See strap 10 in Figure 1	1 at least
Y	GB 758 091 (JESSIMAN) See Figures 1 & 3	1 at least
Y	GB 348 821 (KOTAUSEK) See pocket 12 in Figure 1	1 at least
Y	US 4 074 373 (GAROFALO) See entire document	1 at least

X	Document indicating lack of novelty or inventive step	A	Document indicating technological background and/or state of the art.
Y	Document indicating lack of inventive step if combined with one or more other documents of same category.	P	Document published on or after the declared priority date but before the filing date of this invention.
&	Member of the same patent family	E	Patent document published on or after, but with priority date earlier than, the filing date of this application.