



US00D622527S

(12) **United States Design Patent**
Wang

(10) **Patent No.:** **US D622,527 S**

(45) **Date of Patent:** **** Aug. 31, 2010**

(54) **SHELF UNIT**

(76) Inventor: **Jack H Wang**, 10420 White Pine Dr.,
Parker, CO (US) 80134

(**) Term: **14 Years**

(21) Appl. No.: **29/345,017**

(22) Filed: **Oct. 8, 2009**

(51) **LOC (9) Cl.** **06-04**

(52) **U.S. Cl.** **D6/570; D6/574**

(58) **Field of Classification Search** **D6/515,**
D6/553, 564, 569, 570, 574, 629, 462, 468,
D6/567; 108/28–29; 211/11, 13.1, 42, 71.01,
211/86.01, 88.01, 88.03, 90.01, 126.1, 133.5,
211/134, 153, 182; 248/235, 309.1
See application file for complete search history.

(56) **References Cited**

U.S. PATENT DOCUMENTS

D419,349 S *	1/2000	Klein et al.	D6/570
D456,658 S *	5/2002	Harwanko	D6/570
D458,791 S *	6/2002	Harwanko	D6/570
D509,393 S *	9/2005	Winig et al.	D6/574
D547,585 S *	7/2007	Netto et al.	D6/574
D555,962 S *	11/2007	Goth	D6/570

* cited by examiner

Primary Examiner—Brian N Vinson

(74) *Attorney, Agent, or Firm*—Jennifer L. Bales; Macheledt Bales LLP

(57) **CLAIM**

The ornamental design for a shelf unit, as shown and described.

DESCRIPTION

FIG. 1 is a top, front and right side perspective view of a shelf unit showing the first embodiment of my new design;

FIG. 2 is a front elevational view thereof;

FIG. 3 is a rear elevational view thereof;

FIG. 4 is a right side elevational view thereof, with the left side being a mirror image of that shown;

FIG. 5 is a top plan view thereof;

FIG. 6 is a bottom plan view thereof;

FIG. 7 is a top, front and right side perspective view of a shelf unit showing the second embodiment of my new design;

FIG. 8 is a front elevational view thereof;

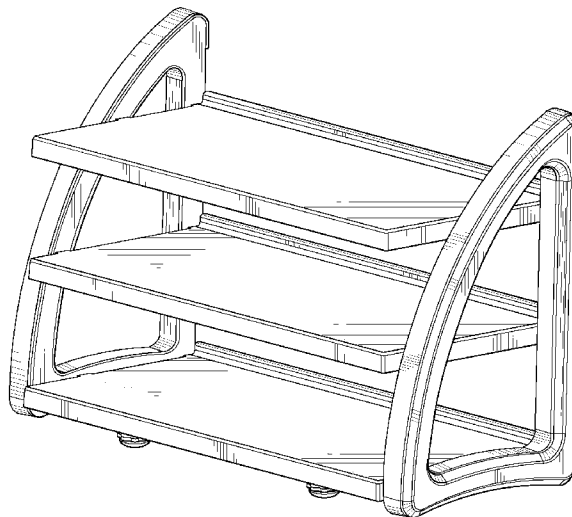
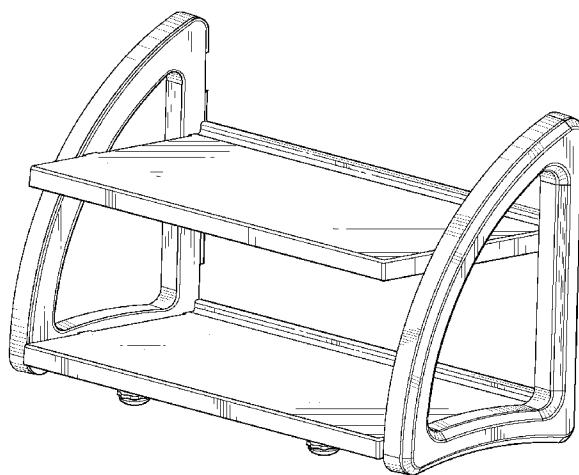
FIG. 9 is a rear elevational view thereof;

FIG. 10 is a right side elevational view thereof, with the left side being a mirror image of that shown;

FIG. 11 is a top plan view thereof; and,

FIG. 12 is a bottom plan view thereof.

1 Claim, 6 Drawing Sheets



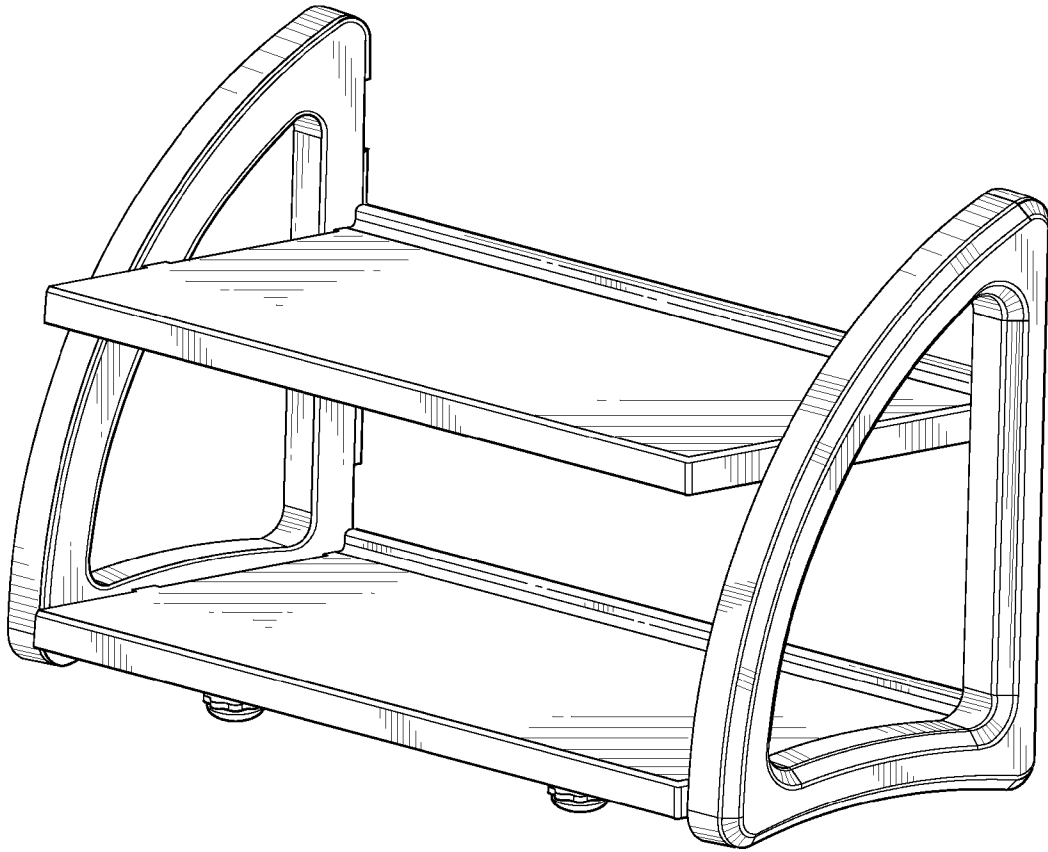


FIG. 1

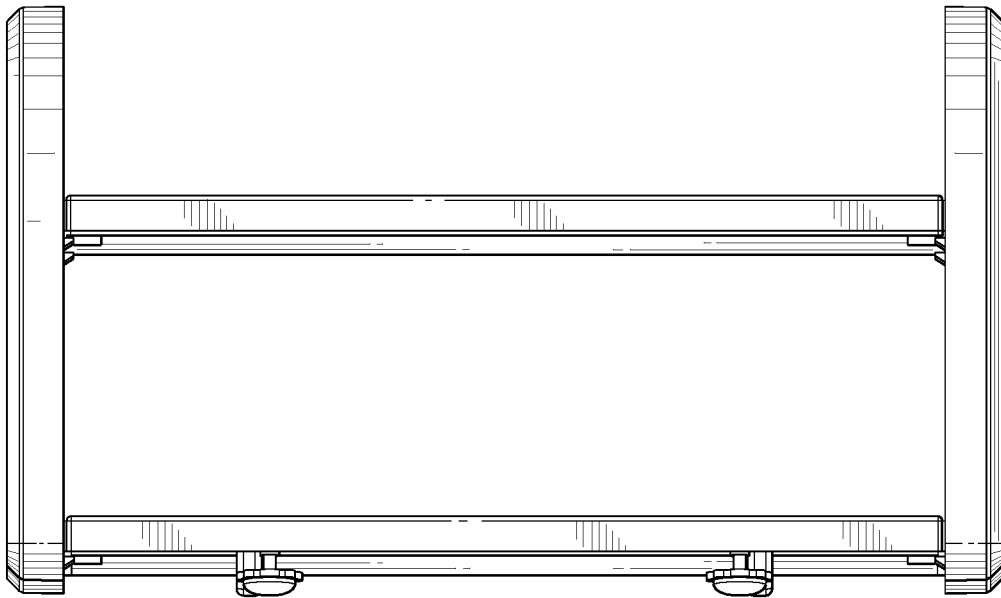


FIG. 2

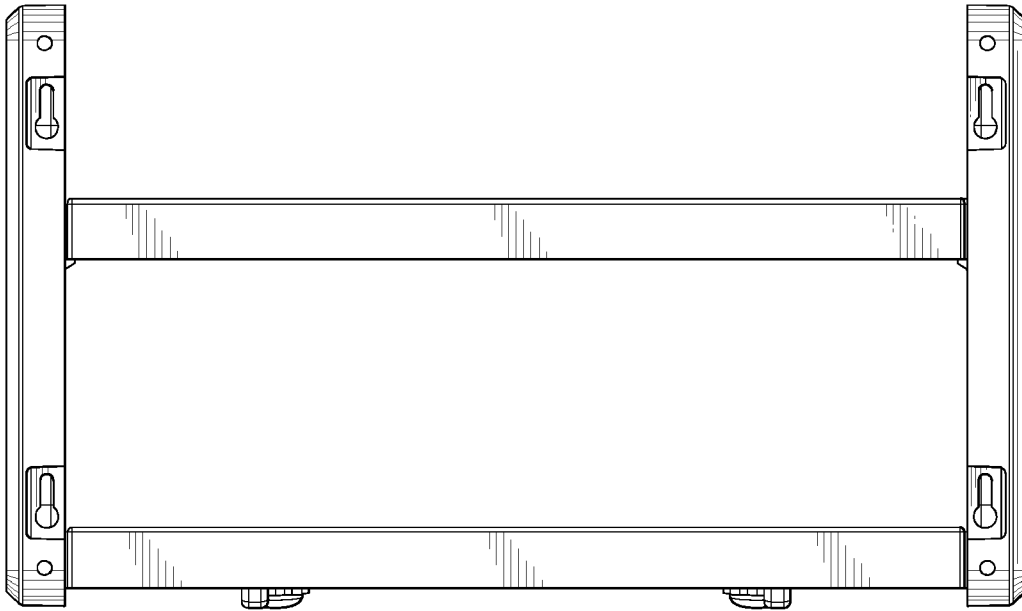


FIG.3

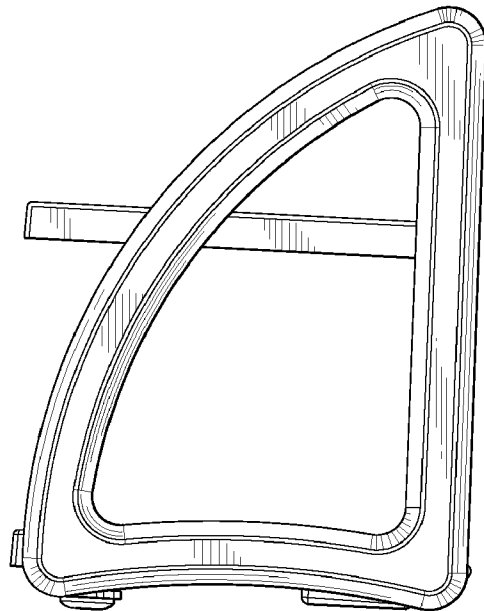


FIG.4

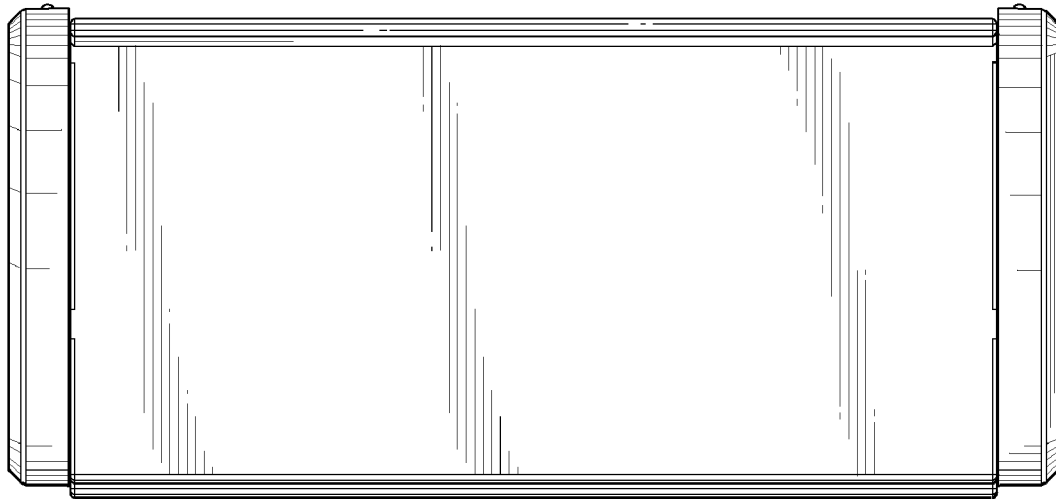


FIG.5



FIG.6

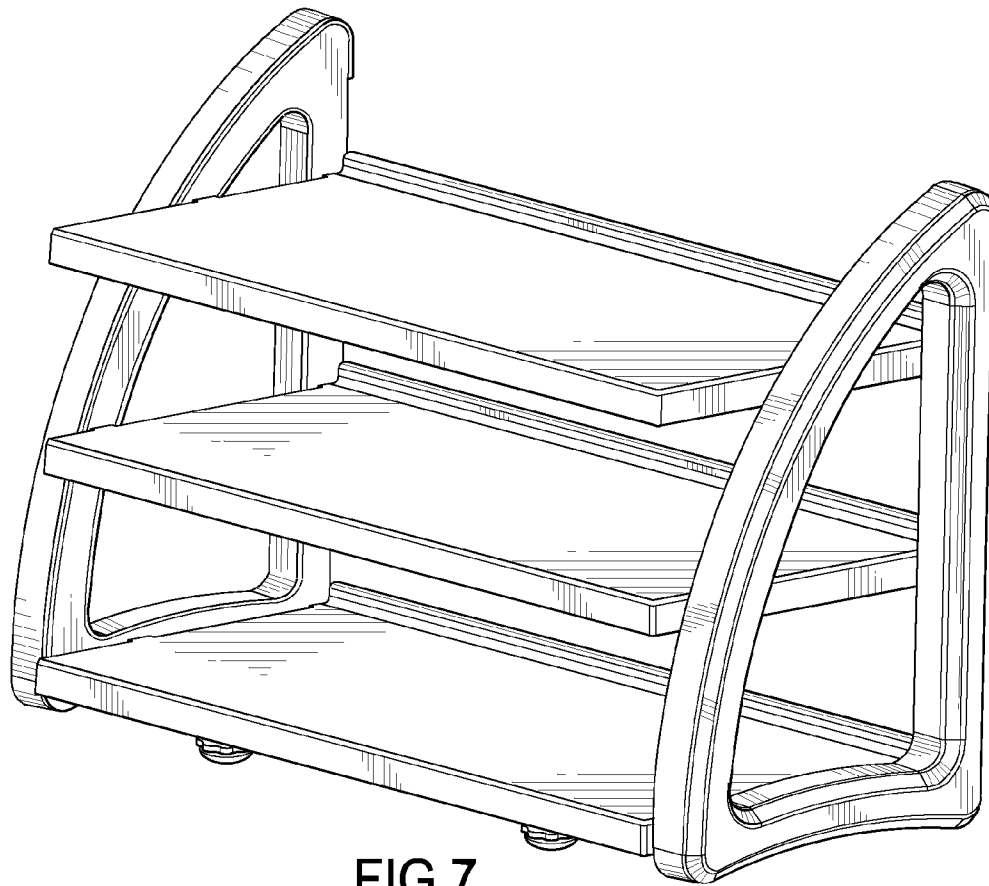


FIG. 7

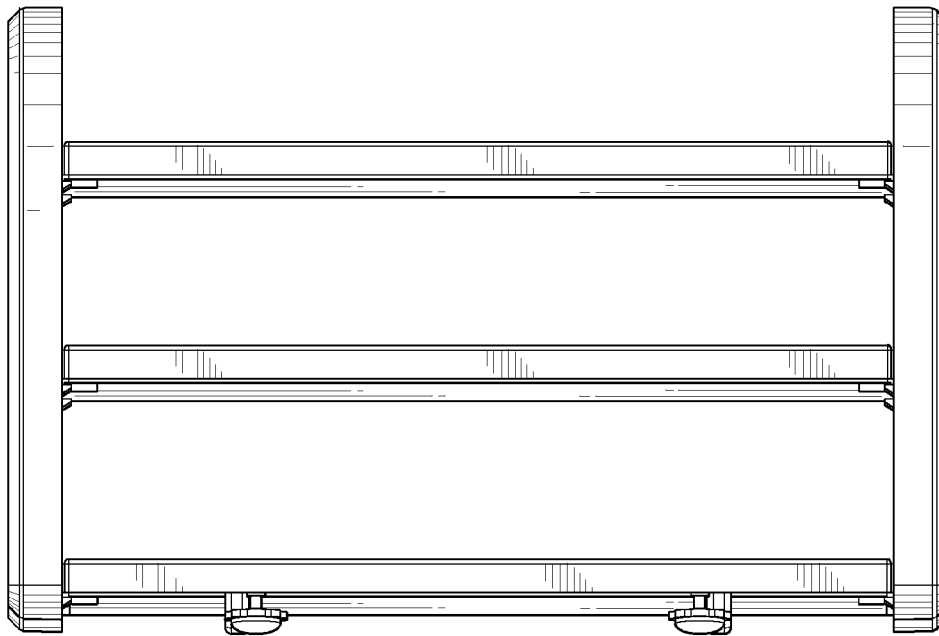


FIG. 8

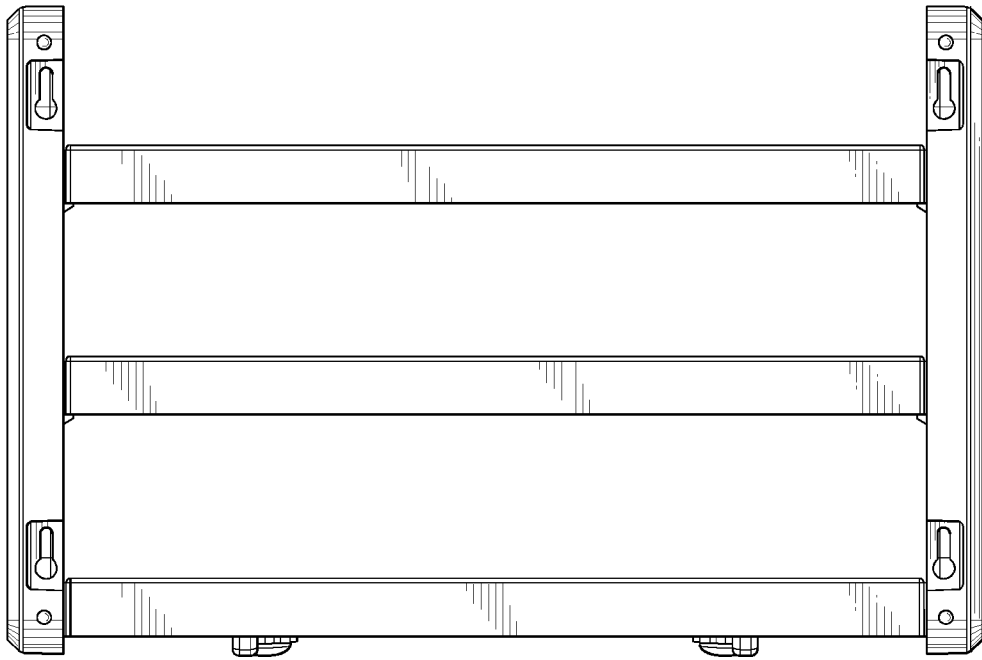


FIG. 9

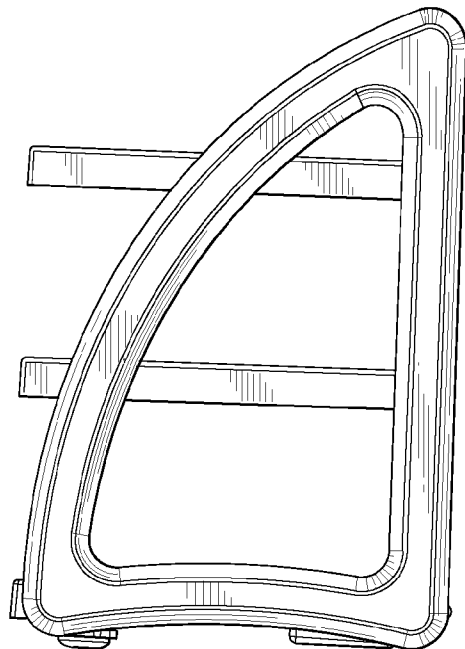


FIG. 10

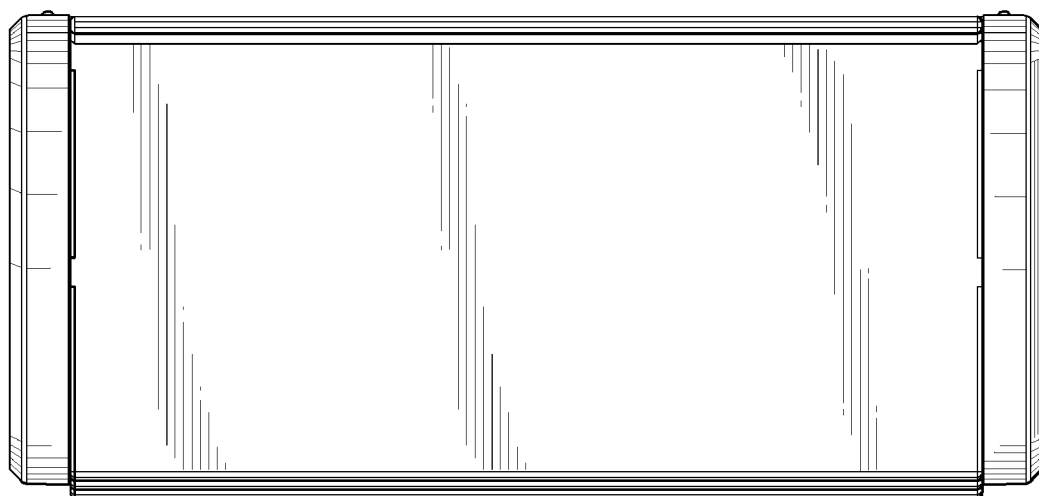


FIG.11

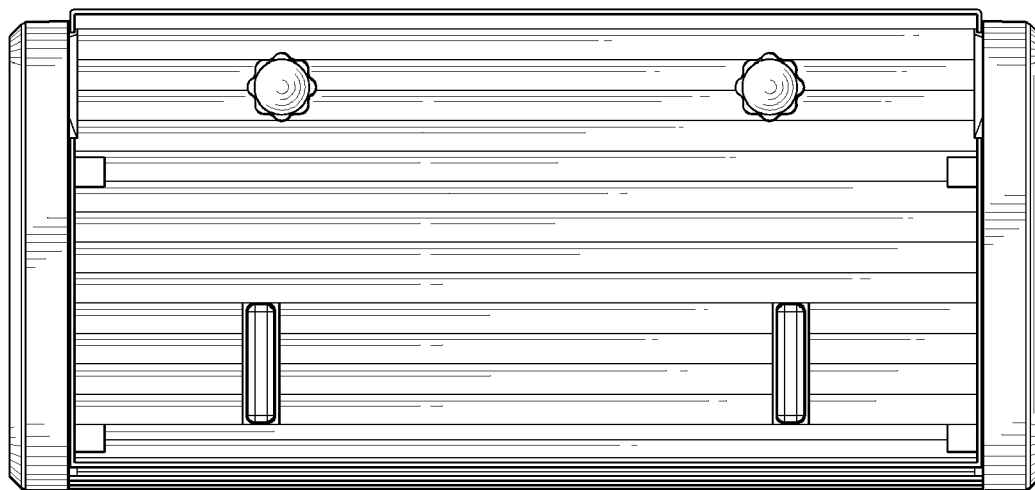


FIG.12