



US00D495116S1

(12) **United States Design Patent**
Trocme

(10) **Patent No.:** **US D495,116 S**

(45) **Date of Patent:** **** Aug. 31, 2004**

(54) **CHOCOLATE PIECE**

(75) Inventor: **Anne-Laure Trocme**, Rawcliffe (GB)

(73) Assignee: **Societe de Produits Nestle S.A.**, Vevey (CH)

(**) Term: **14 Years**

(21) Appl. No.: **29/168,207**

(22) Filed: **Sep. 27, 2002**

(30) **Foreign Application Priority Data**

Mar. 28, 2002 (WO) DM/059 431

(51) **LOC (7) Cl.** **01-01**

(52) **U.S. Cl.** **D1/127; D1/100; D15/144; D25/113**

(58) **Field of Search** D21/386, 484-485; D25/113; D15/144, 144.1, 144.2; 347/88, 99, 84; D18/56; 428/577, 580-589, 583; 426/512, 238, 144, 104, 631, 103, 306, 660; D1/127, 129, 121, 100, 199; D24/102, 103; D9/431

(56) **References Cited**

U.S. PATENT DOCUMENTS

- 350,101 A * 10/1886 Bates 404/34
- D33,953 S * 1/1901 Weiler D15/144
- 787,887 A * 4/1905 Baker
- D54,424 S * 2/1920 Lehman D25/113
- D67,194 S * 5/1925 Epstein D1/127
- D98,858 S * 3/1936 Gager
- D170,362 S * 9/1953 Opler

- D323,053 S * 1/1992 Kesdekoglu
- D335,202 S * 5/1993 Kesdekoglu
- 5,752,364 A * 5/1998 Benham et al. 53/435
- D421,673 S * 3/2000 Sherman et al.
- D423,185 S * 4/2000 Sherman et al.
- 6,403,132 B1 * 6/2002 Capodiecici 426/238

OTHER PUBLICATIONS

The Swiss Colony Inc. "Rectangular Chocolate", 1977 p. 49.*

The Candy Cookbook chocolate piece #A, 1995 p. 46.*

* cited by examiner

Primary Examiner—Pamela Burgess

(74) *Attorney, Agent, or Firm*—Sheldon & Mak; Denton L. Anderson

(57) **CLAIM**

The ornamental design for a chocolate piece, as shown and described.

DESCRIPTION

FIG. 1 is an isometric view of a chocolate piece of the invention;

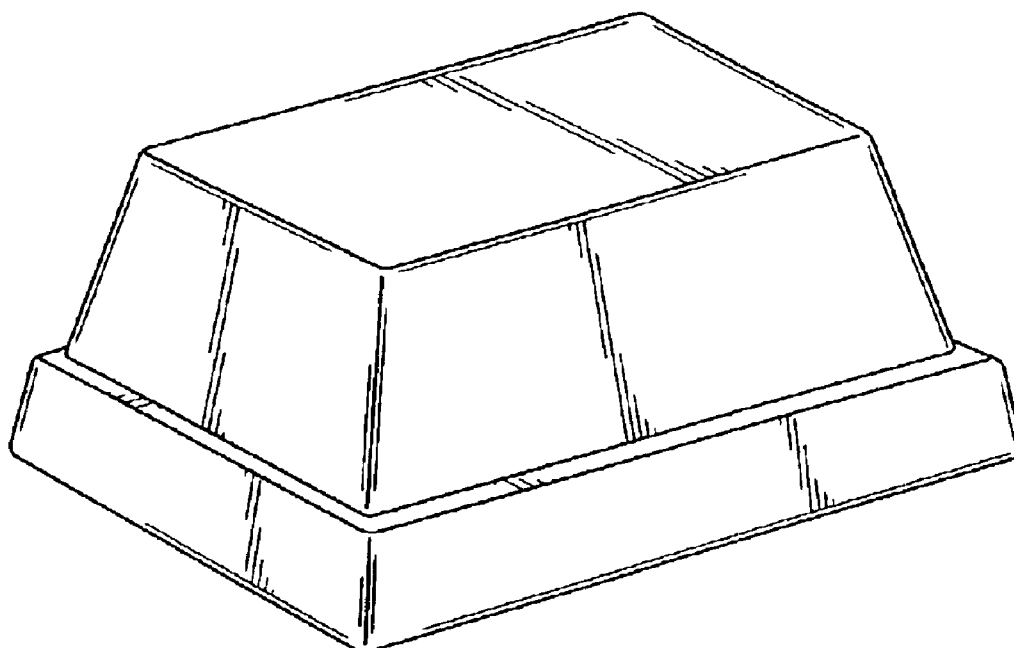
FIG. 2 is an end view of the chocolate piece illustrated in FIG. 1;

FIG. 3 is a side view of the chocolate piece illustrated in FIG. 1;

FIG. 4 is a plan view of the chocolate piece illustrated in FIG. 1; and,

FIG. 5 is a bottom view of the chocolate piece illustrated in FIG. 1.

1 Claim, 2 Drawing Sheets



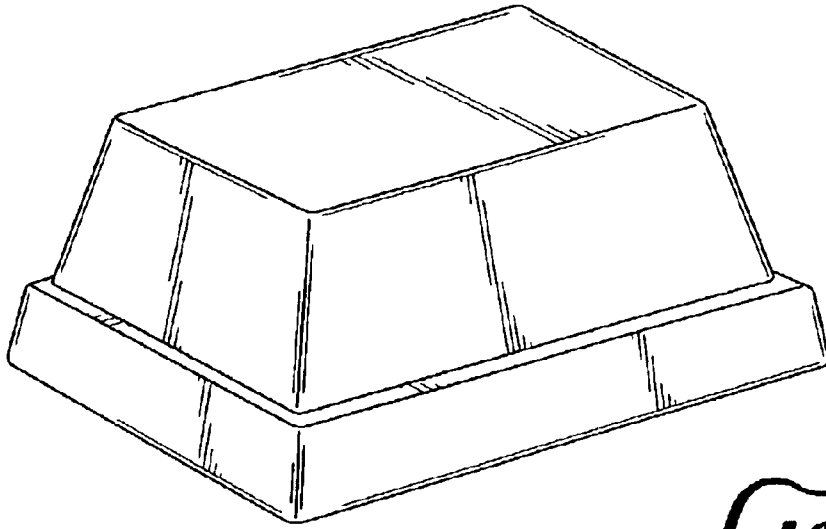


FIG. 1

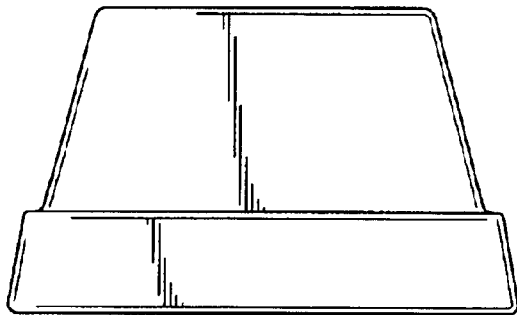


FIG. 2

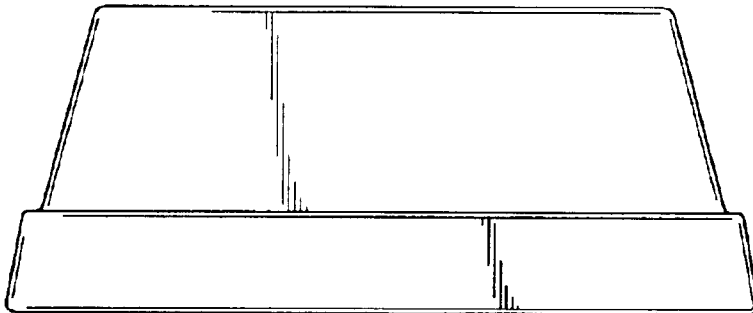


FIG. 3

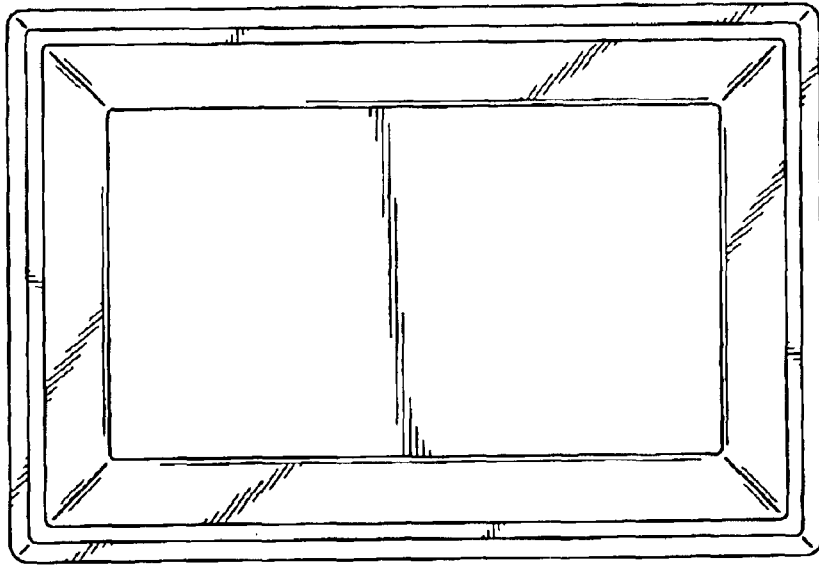


FIG. 4

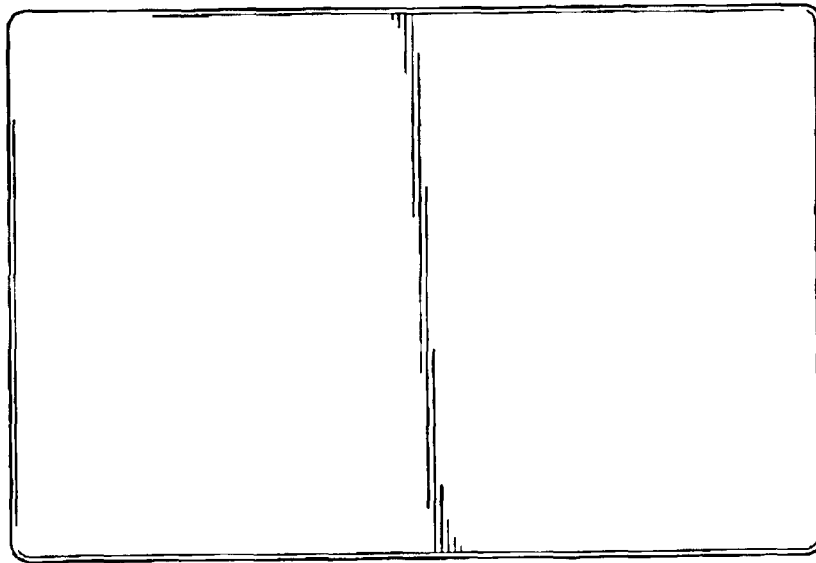


FIG. 5