



US00D827537S

(12) **United States Design Patent**
Owens et al.

(10) **Patent No.:** **US D827,537 S**

(45) **Date of Patent:** **** Sep. 4, 2018**

- (54) **AUTOMOBILE WHEEL**
- (71) Applicants: **John S Owens**, Pleasant Ridge, MI (US); **Mark T Allen**, Oxford, MI (US)
- (72) Inventors: **John S Owens**, Pleasant Ridge, MI (US); **Mark T Allen**, Oxford, MI (US)
- (73) Assignee: **FCA US LLC**, Auburn Hills, MI (US)
- (**) Term: **15 Years**
- (21) Appl. No.: **29/575,315**
- (22) Filed: **Aug. 24, 2016**
- (51) **LOC (11) Cl.** **12-16**
- (52) **U.S. Cl.**
USPC **D12/209**
- (58) **Field of Classification Search**
USPC D12/204-213; D21/533, 561, 563
CPC B60B 7/00; B60B 7/02; B60B 7/04; B60B 7/06; B60B 3/02; B60B 3/04; B60B 3/06; B60B 3/10; B60B 1/00; B60B 1/08; B60B 1/10; B60B 1/12
See application file for complete search history.

D642,105 S *	7/2011	Chung	D12/209
D673,096 S *	12/2012	Platto	D12/209
D730,795 S *	6/2015	Mays	D12/209
D750,543 S *	3/2016	Behmer	D12/209
D758,279 S *	6/2016	Platto	D12/211
D763,760 S *	8/2016	Gale	D12/209
D763,764 S *	8/2016	Dunford	D12/209
D767,465 S *	9/2016	Liffick	D12/209
D781,198 S *	3/2017	Owens	D12/209
D781,766 S *	3/2017	Galante	D12/209
D810,646 S *	2/2018	Heizmann	D12/209

* cited by examiner

Primary Examiner — Sheryl Lane

Assistant Examiner — Calvin E Vansant

(74) *Attorney, Agent, or Firm* — Ralph E. Smith

(57) **CLAIM**

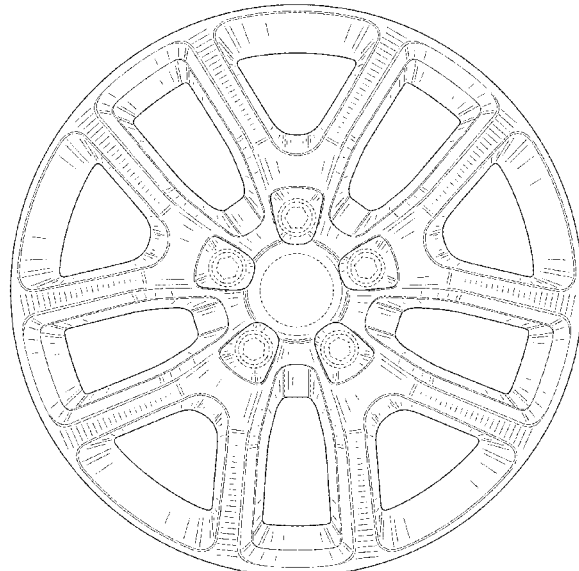
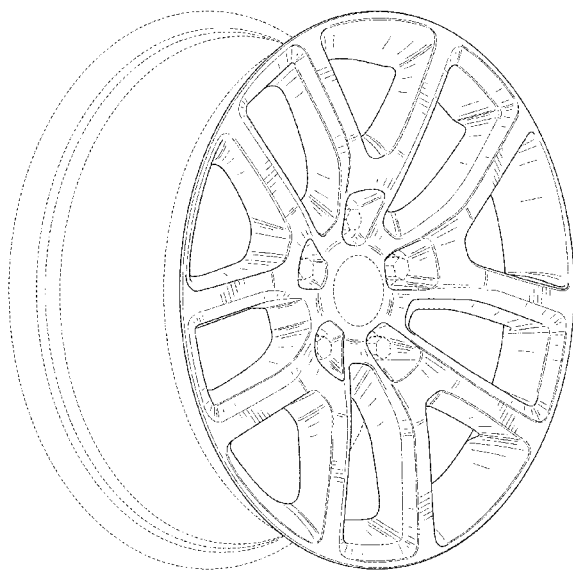
The ornamental design for an automobile wheel, as shown and described.

DESCRIPTION

FIG. 1 is a right side perspective view of an automobile wheel showing our new design; FIG. 2 is a front view thereof; and, FIG. 3 is a left side perspective view. It will be understood that the broken lines shown in the drawings illustrate portions of the automobile wheel that form no part of claimed design.

1 Claim, 3 Drawing Sheets

- (56) **References Cited**
U.S. PATENT DOCUMENTS
D455,993 S * 4/2002 Ayoub D12/211
D560,585 S * 1/2008 Blasi D12/209



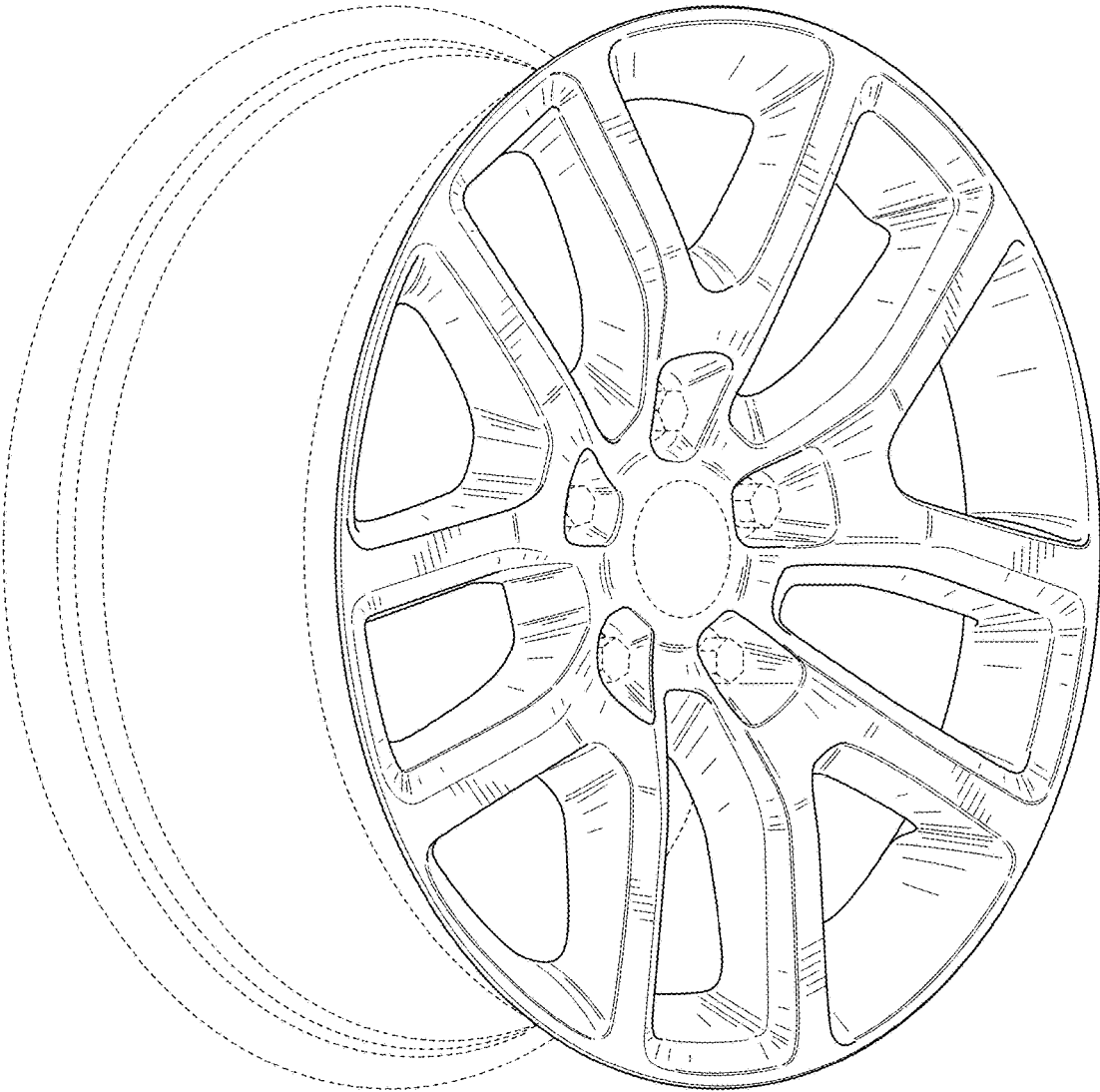


FIG. 1

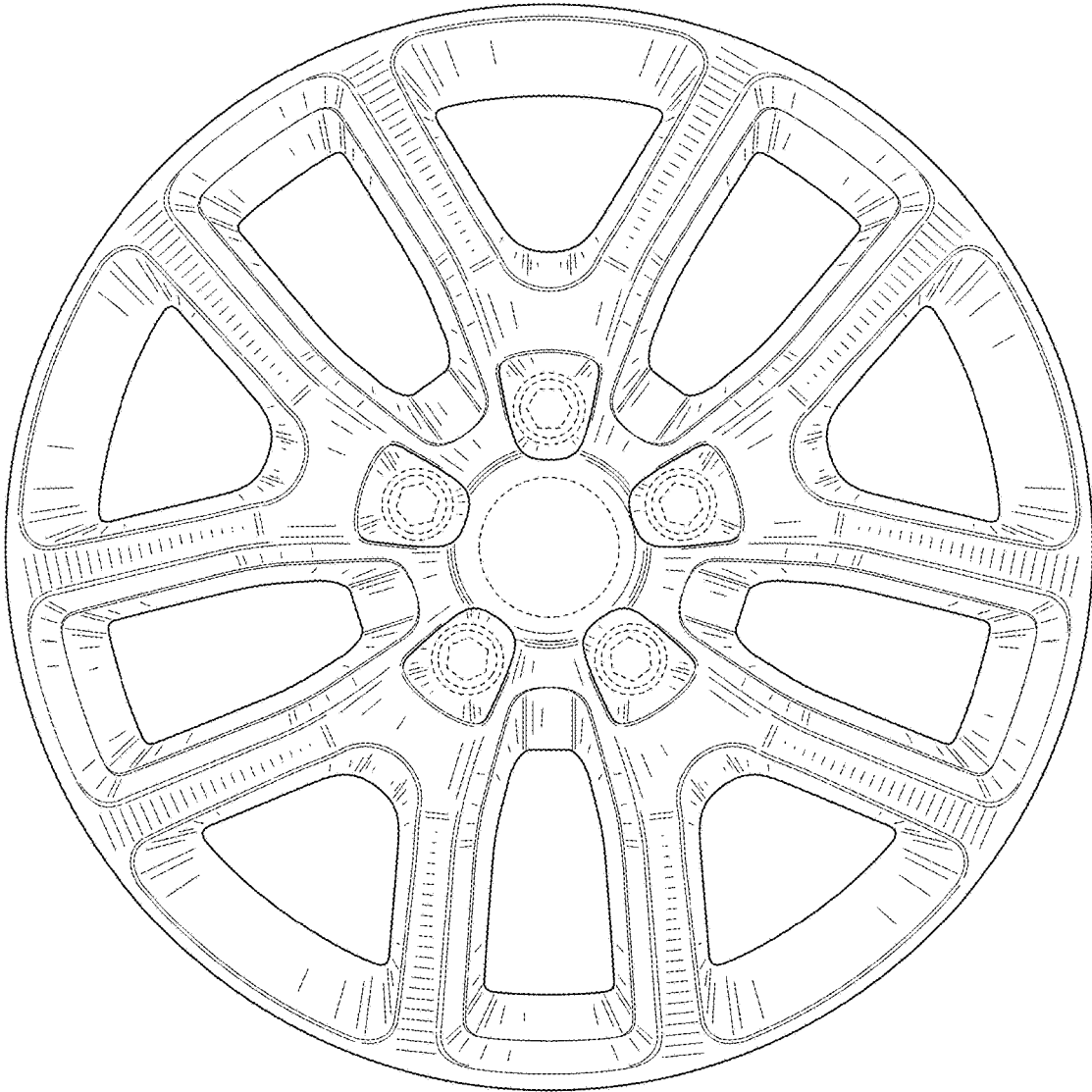


FIG. 2

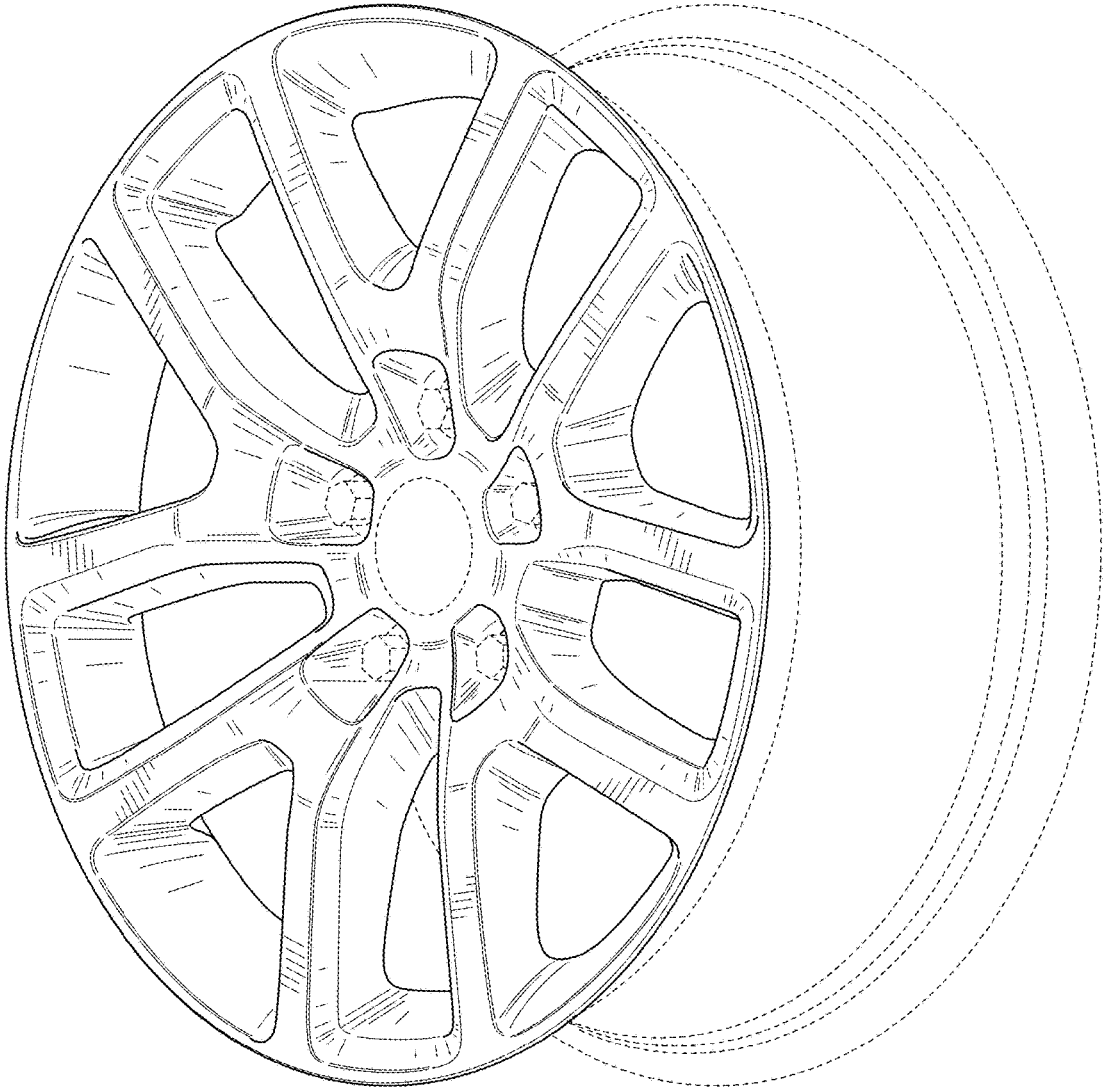


FIG. 3