



US00D826813S

(12) **United States Design Patent**
Carr et al.

(10) **Patent No.:** **US D826,813 S**

(45) **Date of Patent:** **** Aug. 28, 2018**

(54) **AUTOMOBILE INTERIOR DESIGN**
(71) Applicant: **LOTUS CARS LIMITED**, Norwich,
Norfolk (GB)
(72) Inventors: **Russell Carr**, Norwich (GB); **Harvey**
Rabenjamina, Norwich (GB)
(73) Assignee: **LOTUS CARS LIMITED**, Norwich,
Norfolk (GB)

D806,623 S * 1/2018 Kato D12/192
D807,266 S * 1/2018 Hasegawa D12/192
D808,873 S * 1/2018 Joyce D12/192
D809,443 S * 2/2018 Walker D12/192
D810,642 S * 2/2018 Nakaya D12/192
D810,643 S * 2/2018 Takamura D12/192
D813,127 S * 3/2018 Yamamoto D12/192
D813,769 S * 3/2018 Yaguchi D12/192

* cited by examiner

Primary Examiner — Katrina A Betton

(74) *Attorney, Agent, or Firm* — Fulwider Patton LLP

(**) Term: **15 Years**
(21) Appl. No.: **29/607,597**

(22) Filed: **Jun. 14, 2017**
(51) **LOC (11) Cl.** **12-16**
(52) **U.S. Cl.**
USPC **D12/192**
(58) **Field of Classification Search**
USPC D12/192, 415, 418, 419, 110, 114, 345;
D15/17, 28; D10/46, 98, 102–103,
D10/122–127
CPC G08G 1/096883; G01C 21/16; G01C
21/3688; G01C 21/30
See application file for complete search history.

(57) **CLAIM**

The ornamental design for an automobile interior design, as shown and described.

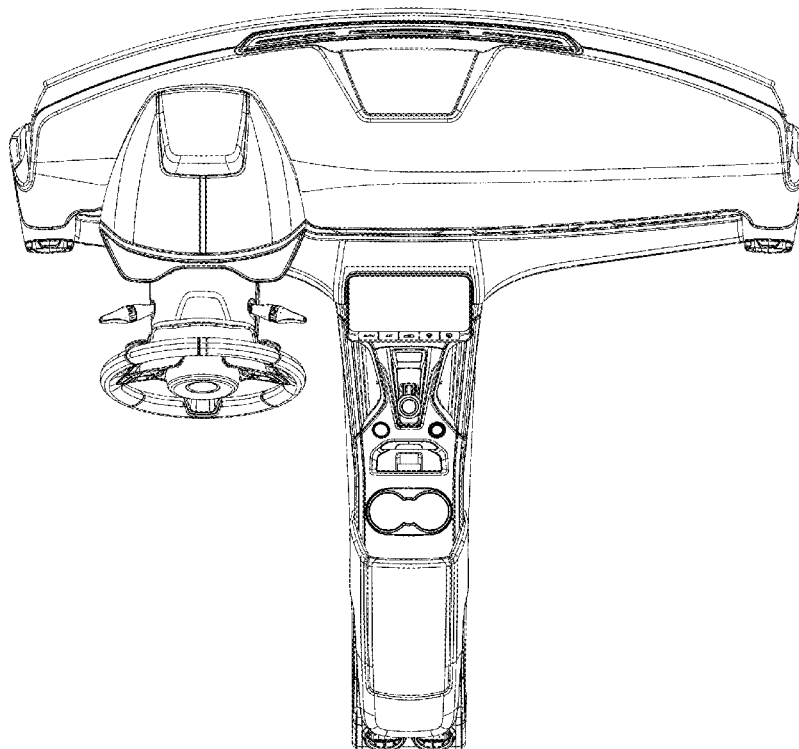
DESCRIPTION

FIG. 1 is a front, right side perspective view of an automobile interior design showing our new design; FIG. 2 is a front, left side perspective view thereof; and, FIG. 3 is a top plan view thereof. Features shown in broken lines with consistent dotted or dash lengths illustrate ornamentation, features, and/or environment that form no part of the claimed design.

(56) **References Cited**
U.S. PATENT DOCUMENTS

D803,743 S * 11/2017 Igarashi D12/192
D804,380 S * 12/2017 Nakai D12/192

1 Claim, 3 Drawing Sheets



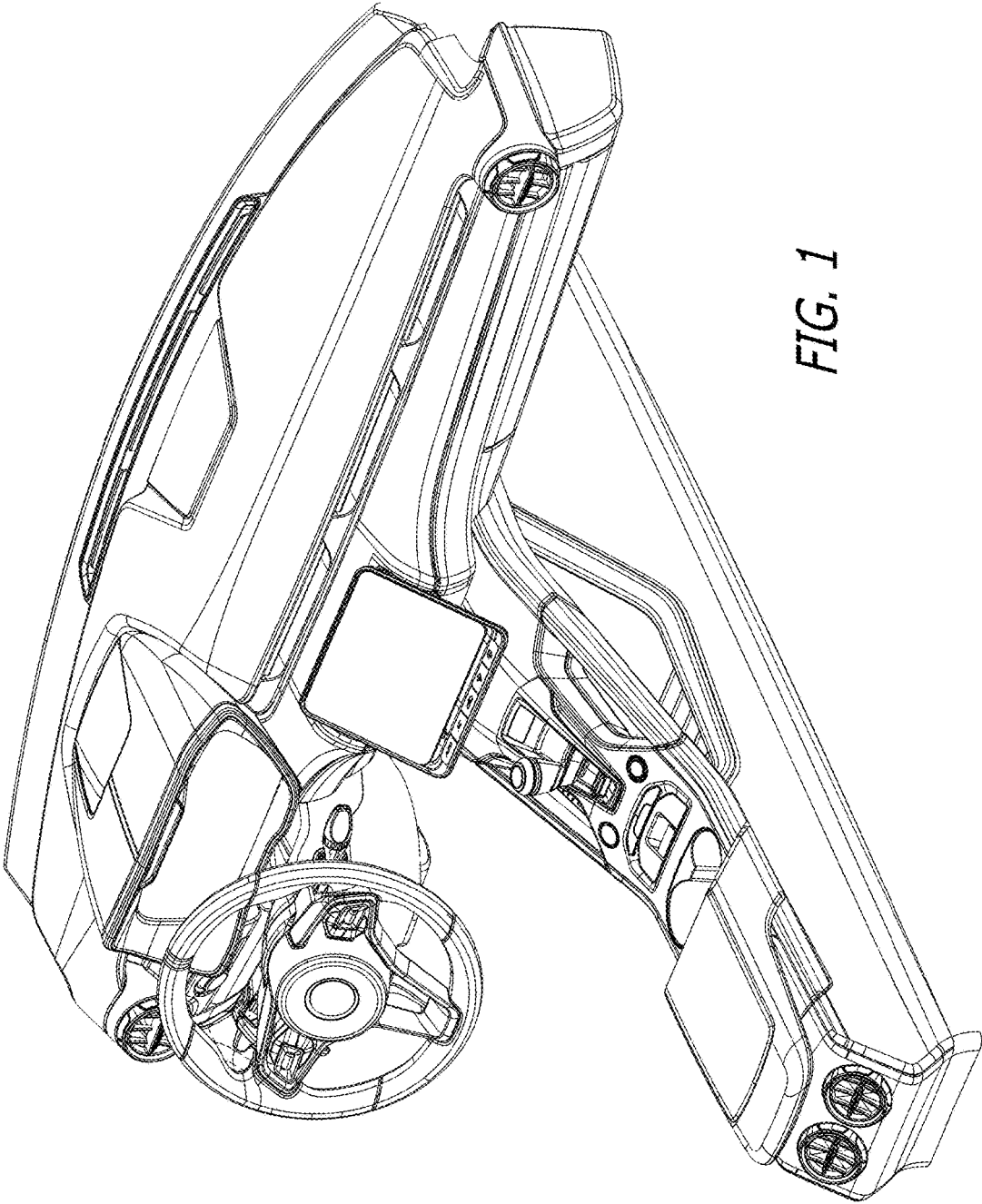


FIG. 1

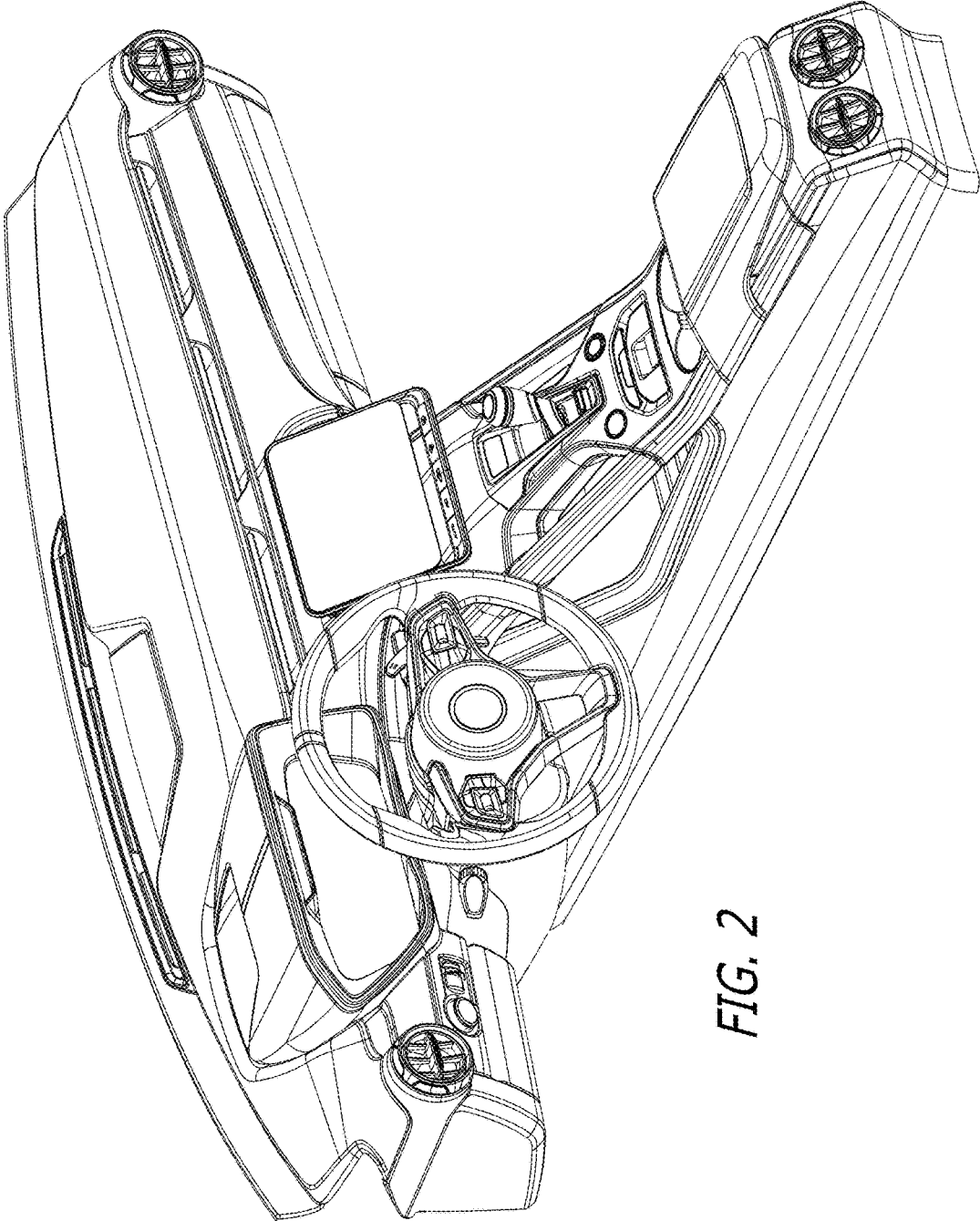


FIG. 2

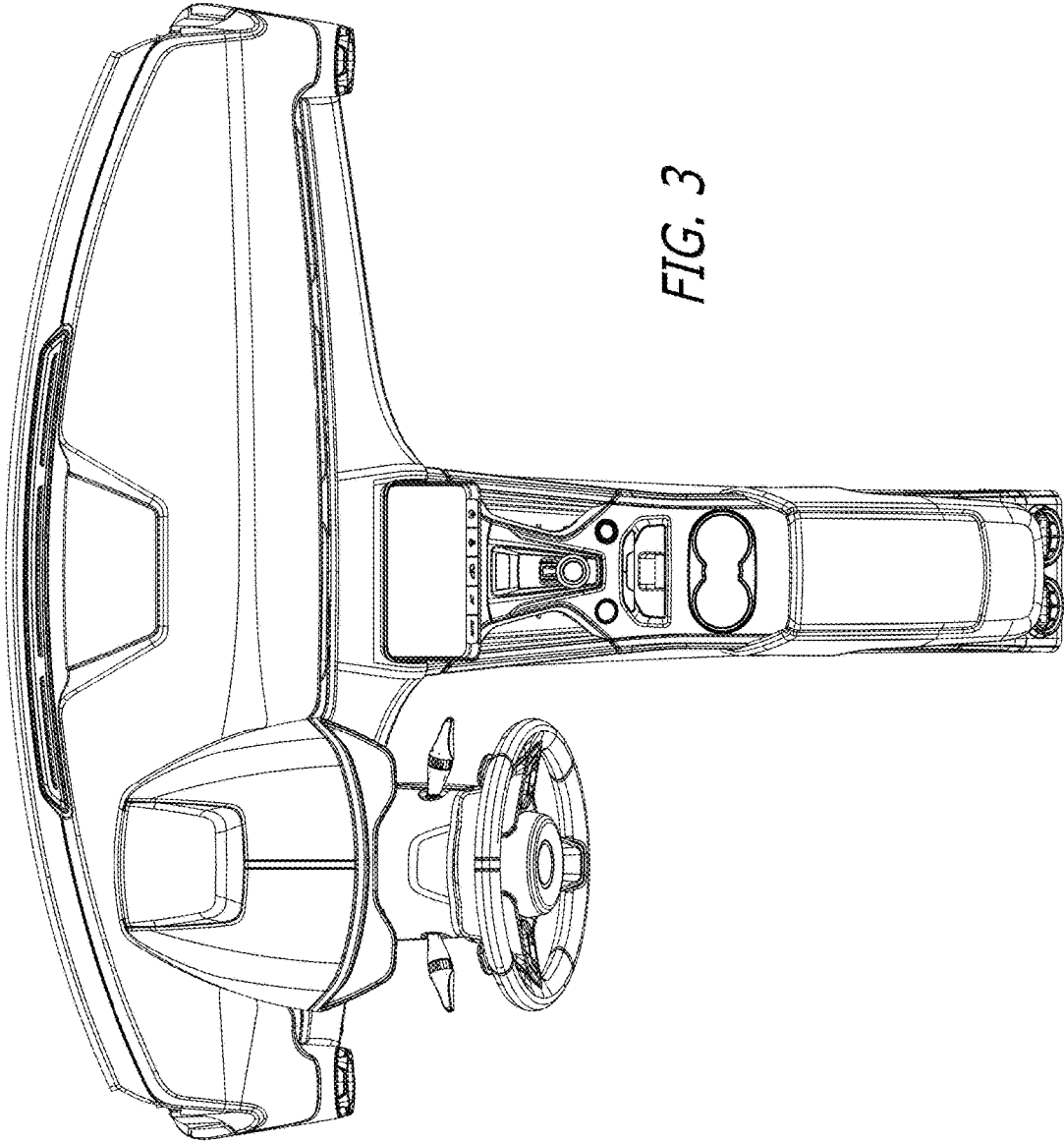


FIG. 3