



US00D879880S

(12) **United States Design Patent**
Abe

(10) **Patent No.:** **US D879,880 S**

(45) **Date of Patent:** **** *Mar. 31, 2020**

(54) **CONTROLLER FOR GAME DEVICE**
(71) Applicant: **SEGA GAMES CO., LTD.**, Tokyo (JP)
(72) Inventor: **Nobutaka Abe**, Tokyo (JP)
(73) Assignee: **SEGA GAMES CO., LTD.**, Tokyo (JP)
(*) Notice: This patent is subject to a terminal disclaimer.

D614,624 S * 4/2010 Zhang D14/418
D618,687 S * 6/2010 Ito D14/418
D646,281 S * 10/2011 Markowitz D14/418
D750,722 S * 3/2016 Young D22/103
D754,796 S * 4/2016 Sakai D14/418
D769,394 S * 10/2016 Young D22/103
D779,012 S * 2/2017 Abbott D22/103
D787,619 S * 5/2017 Young D22/103
D819,766 S * 6/2018 Farris D22/104
D845,302 S * 4/2019 Waldman A63H 5/04
D14/418

(**) Term: **15 Years**

* cited by examiner

(21) Appl. No.: **35/506,275**

Primary Examiner — George D. Kirschbaum

(22) Filed: **Jun. 29, 2018**

Assistant Examiner — Joseph J Kukella

(80) **Hague Agreement Data**

Int. Filing Date: **Jun. 29, 2018**
Int. Reg. No.: **DM/102168**
Int. Reg. Date: **Jun. 29, 2018**
Int. Reg. Pub. Date: **Jan. 4, 2019**

(74) *Attorney, Agent, or Firm* — Fross Zelnick
Lehrman & Zissu, P.C.; Charles T. J. Weigell, Esq.

(30) **Foreign Application Priority Data**

Jan. 10, 2018 (JP) 2018-000225

(51) **LOC (12) Cl.** **21-01**

(52) **U.S. Cl.**
USPC **D21/333**

(58) **Field of Classification Search**
USPC D22/100, 103–105, 109–111; D21/324,
D21/328, 331, 333, 566, 572–574;
D14/400–418, 426–431, 454–455, 203.3,
D14/218, 300, 356, 383, 388, 399
CPC A63F 9/02; A63F 9/0252; F41C 7/00–12
See application file for complete search history.

(56) **References Cited**

U.S. PATENT DOCUMENTS

5,004,444 A * 4/1991 Chih A63H 5/04
446/406
D524,871 S * 7/2006 Nunokawa D21/324
D541,806 S * 5/2007 Wada D14/418

(57) **CLAIM**

The ornamental design for a controller for game device, as shown and described.

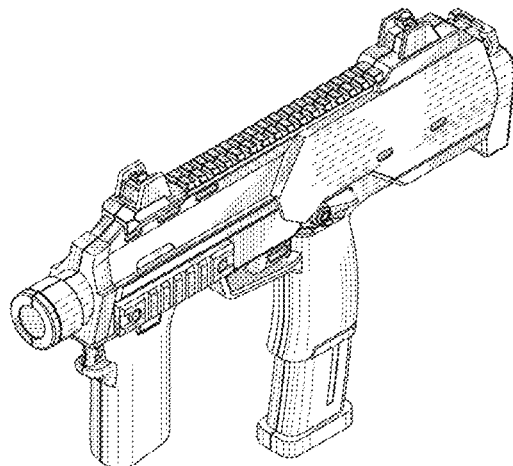
DESCRIPTION

1. Controller for game device

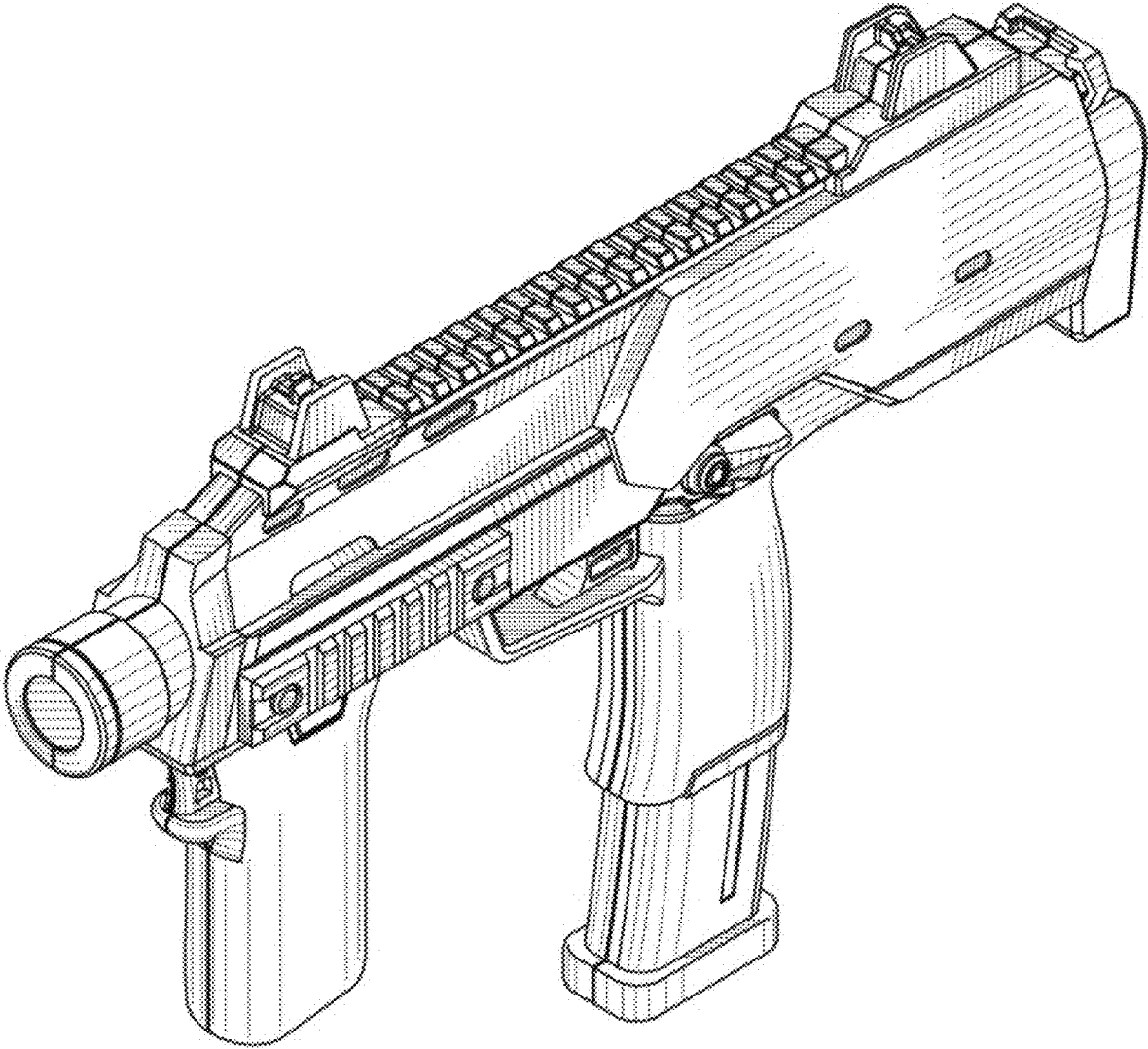
- 1.1 : Perspective
- 1.2 : Front
- 1.3 : Back
- 1.4 : Top
- 1.5 : Bottom
- 1.6 : Left
- 1.7 : Right

The thin lines in the representation represent contours only and do not illustrate an ornamentation or decoration on the surface of the product.

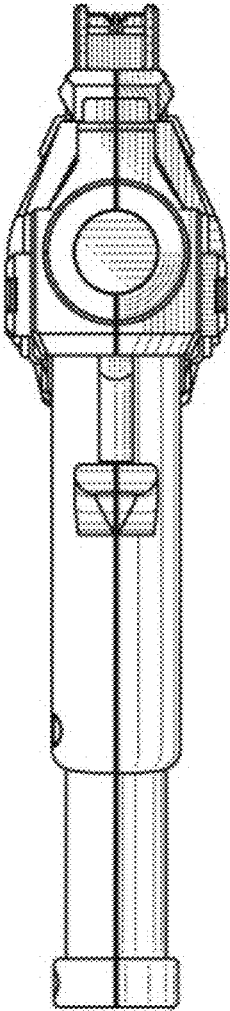
1 Claim, 7 Drawing Sheets



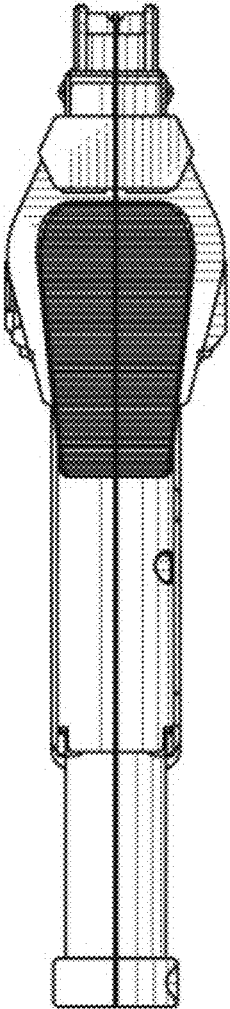
1.1



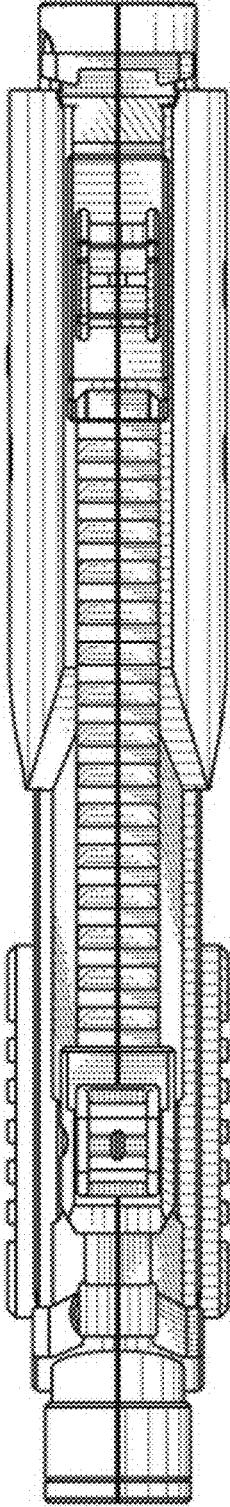
1.2



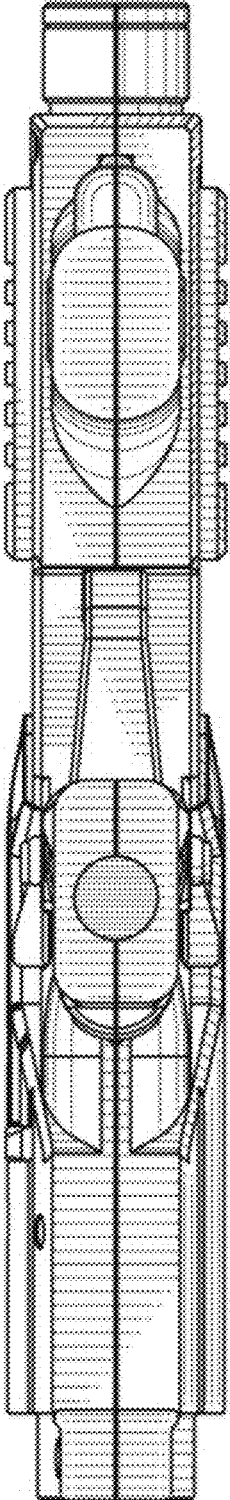
1.3



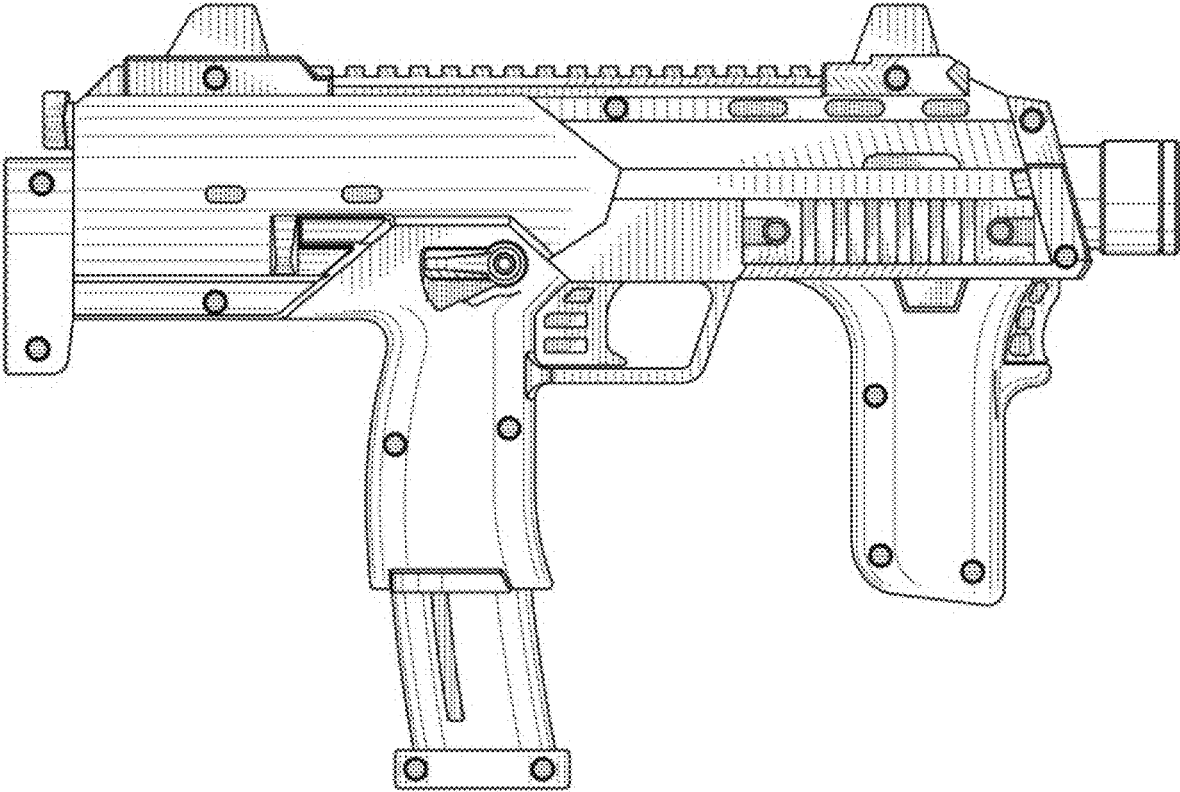
1.4



1.5



1.6



1.7

