



US00D727318S

(12) **United States Design Patent**
García Marín et al.

(10) **Patent No.:** **US D727,318 S**

(45) **Date of Patent:** **** Apr. 21, 2015**

(54) **STEREOGRAPHIC VIRTUAL HEAD
ADAPTER FOR MOBILE GRAPHICAL
DEVICES**

(56) **References Cited**

U.S. PATENT DOCUMENTS

| | | | | | | |
|--------------|----|---|---------|-----------------|-------|----------|
| D338,514 | S | * | 8/1993 | Holmes | | D14/372 |
| D363,482 | S | * | 10/1995 | Robinson et al. | | D14/372 |
| D369,595 | S | * | 5/1996 | Kober et al. | | D14/372 |
| D370,909 | S | * | 6/1996 | Oikawa et al. | | D14/372 |
| D439,265 | S | * | 3/2001 | Hayashi | | D16/300 |
| D440,967 | S | * | 4/2001 | Jung | | D14/372 |
| D521,493 | S | * | 5/2006 | Wai | | D14/205 |
| D571,366 | S | * | 6/2008 | Lee et al. | | D14/372 |
| D645,862 | S | * | 9/2011 | Paul | | D14/372 |
| D669,471 | S | * | 10/2012 | Hwang et al. | | D14/372 |
| D685,345 | S | * | 7/2013 | Serota | | D14/205 |
| D687,434 | S | * | 8/2013 | Serota | | D14/372 |
| D704,706 | S | * | 5/2014 | Serota | | D14/372 |
| 2013/0237146 | A1 | * | 9/2013 | Serota | | 455/12.1 |

* cited by examiner

Primary Examiner — Austin Murphy

(74) *Attorney, Agent, or Firm* — Bryant J. Keller; Kirton | McConkie

(57) **CLAIM**

The ornamental design for a stereographic virtual head adapter for mobile graphical devices, as shown and described.

DESCRIPTION

FIG. 1 is a front elevation view showing our new design;
 FIG. 2 is a back perspective view thereof;
 FIG. 3 is a right side elevation view thereof;
 FIG. 4 is a left side elevation view thereof;
 FIG. 5 is a top plan view thereof;
 FIG. 6 is a bottom plan view thereof;
 FIG. 7 is a front, right side perspective view thereof;
 FIG. 8 is a back, right side perspective view thereof, wherein the back, left side perspective view is a mirror image thereof;
 FIGS. 9-10 each depict a front, right side perspective view thereof, wherein the stereographic virtual head adapter for mobile graphical devices is in an open configuration; and,
 FIG. 11 is a front, right side perspective view thereof, wherein the stereographic virtual head adapter for mobile graphical devices is in a closed configuration.
 An optional mobile graphical device is shown in broken lines in FIGS. 9-11 for environmental purposes only and forms no part of the claimed design.

(71) Applicants: **José Antonio García Marín**, Murcia (ES); **Francisco Álvarez Beltrán**, Murcia (ES); **Daniel Serrano Cánovas**, Murcia (ES); **Álvaro Redondo Caparrós**, Murcia (ES); **José Francisco Castejón Monchón**, Murcia (ES); **Fernando Vargas-Martín**, Murcia (ES)

(72) Inventors: **José Antonio García Marín**, Murcia (ES); **Francisco Álvarez Beltrán**, Murcia (ES); **Daniel Serrano Cánovas**, Murcia (ES); **Álvaro Redondo Caparrós**, Murcia (ES); **José Francisco Castejón Monchón**, Murcia (ES); **Fernando Vargas-Martín**, Murcia (ES)

(73) Assignee: **ImmersiON-VReila, Inc.**, Redwood City, CA (US)

(**) Term: **14 Years**

(21) Appl. No.: **29/491,132**

(22) Filed: **May 16, 2014**

(51) **LOC (10) Cl.** **14-02**

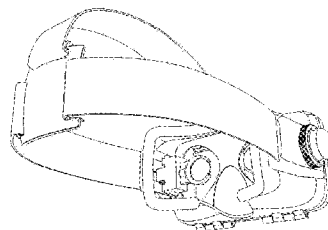
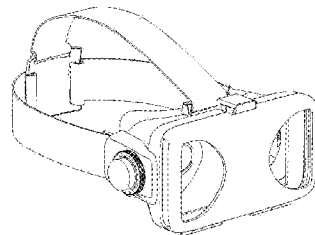
(52) **U.S. Cl.** **D14/372**

(58) **Field of Classification Search**

CPC G02B 27/017; G02B 27/0158; G02B 27/0161; G02B 27/0181; G02B 7/0185; G02B 27/0189
 USPC D14/372, 496, 432, 371, 125, 126, 129, D14/299; D16/300-342; 351/158, 153, 144; 345/7-9, 905; 455/344; 348/115, 53, 348/121, 739

See application file for complete search history.

1 Claim, 6 Drawing Sheets



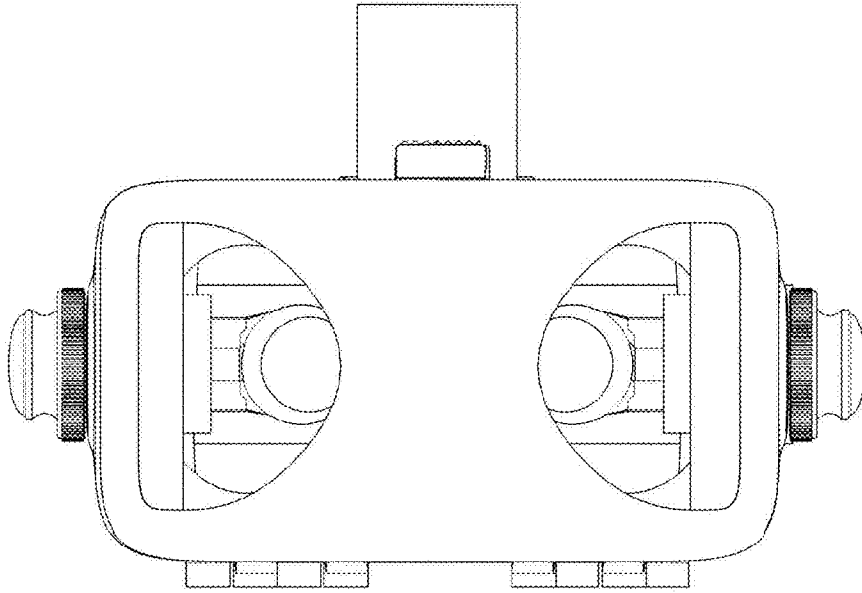


FIG. 1

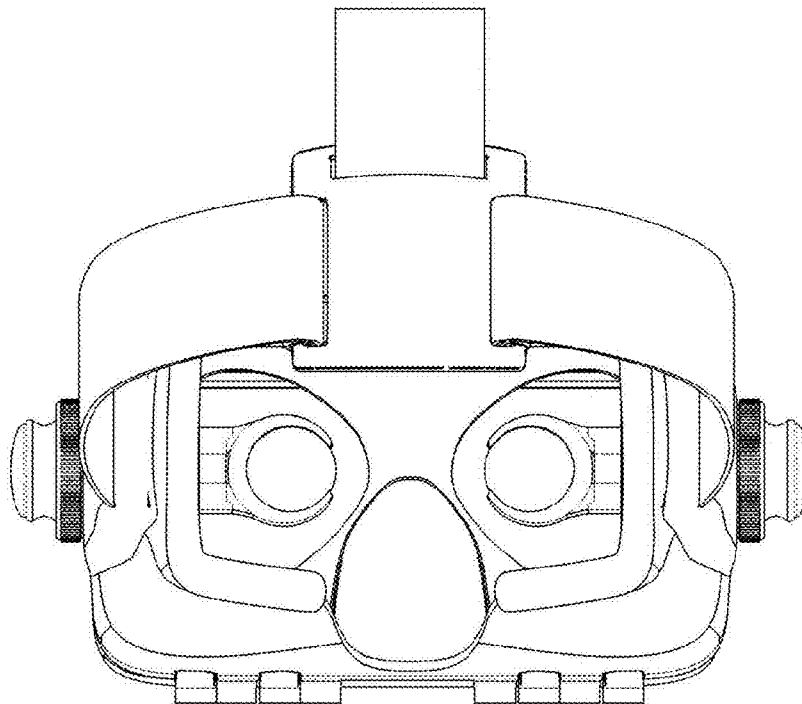


FIG. 2

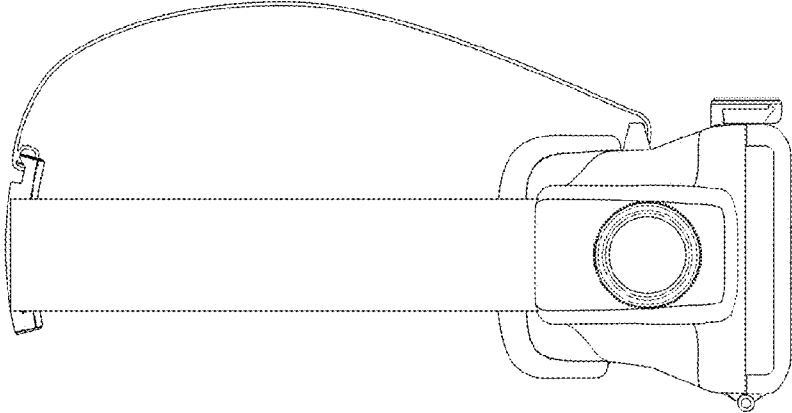


FIG. 3

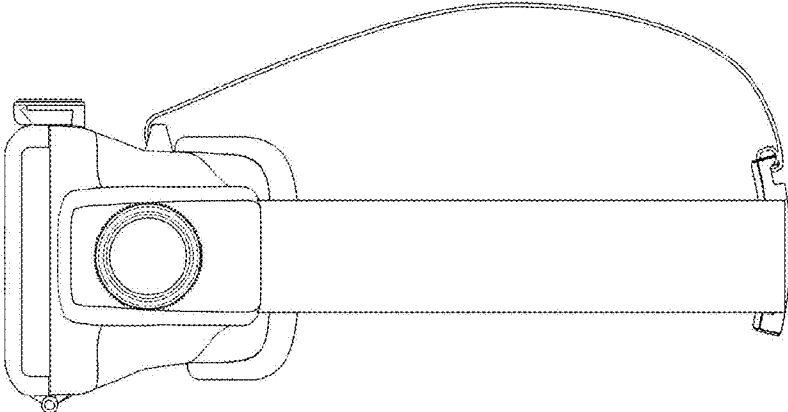


FIG. 4

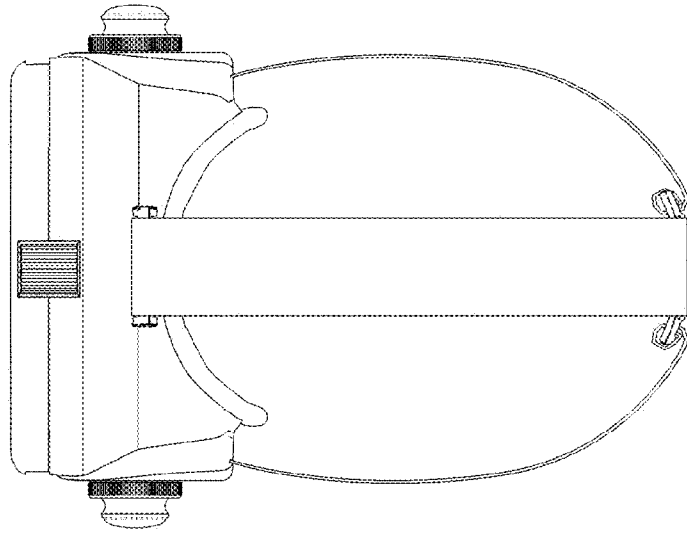


FIG. 5

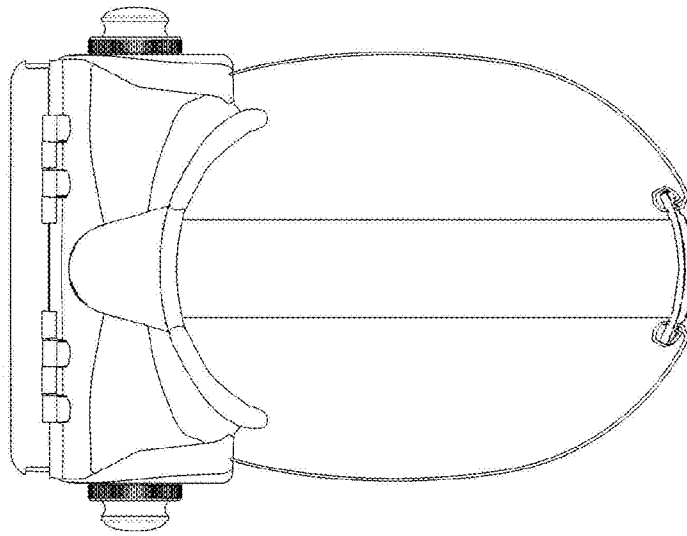


FIG. 6

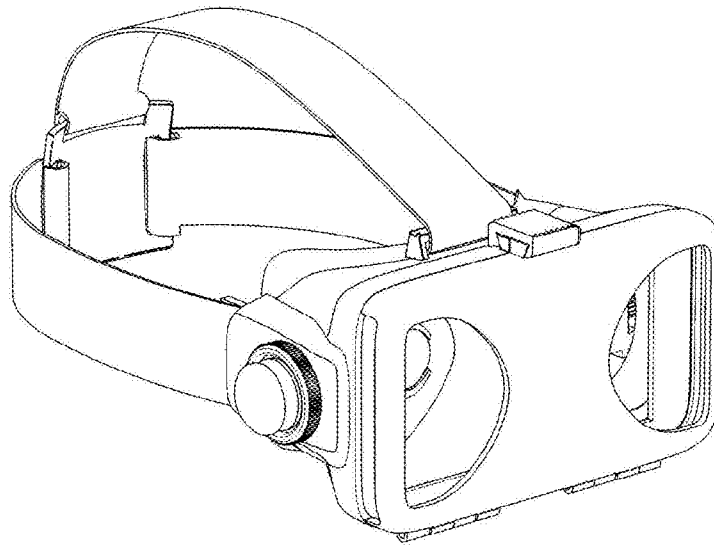


FIG. 7

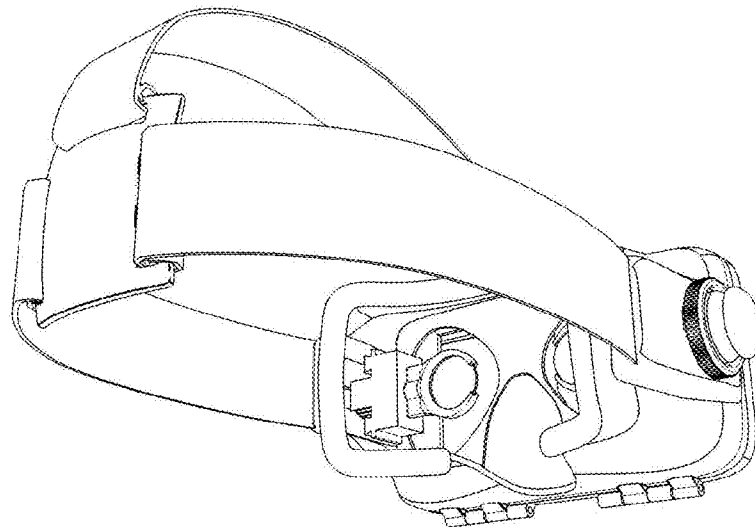


FIG. 8

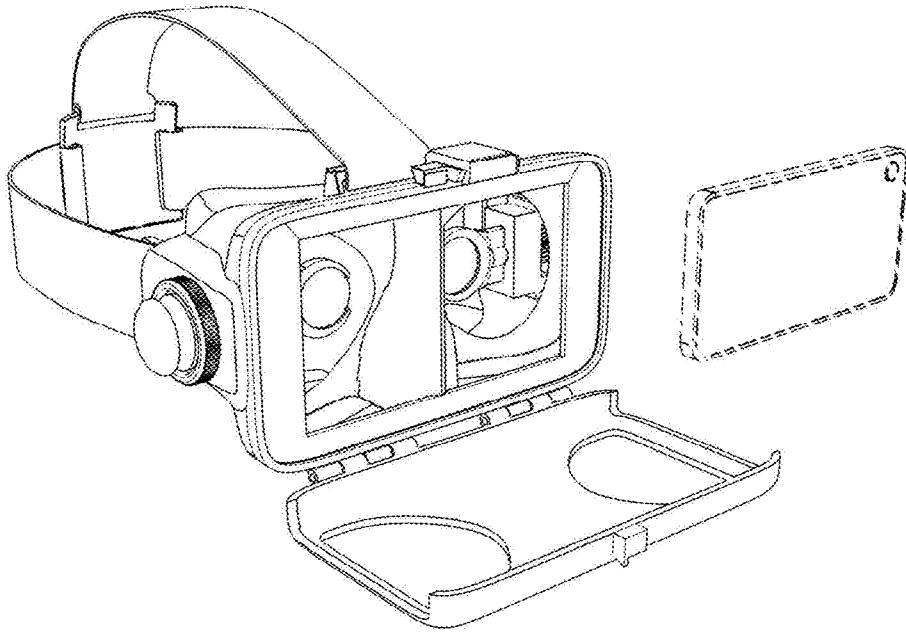


FIG. 9

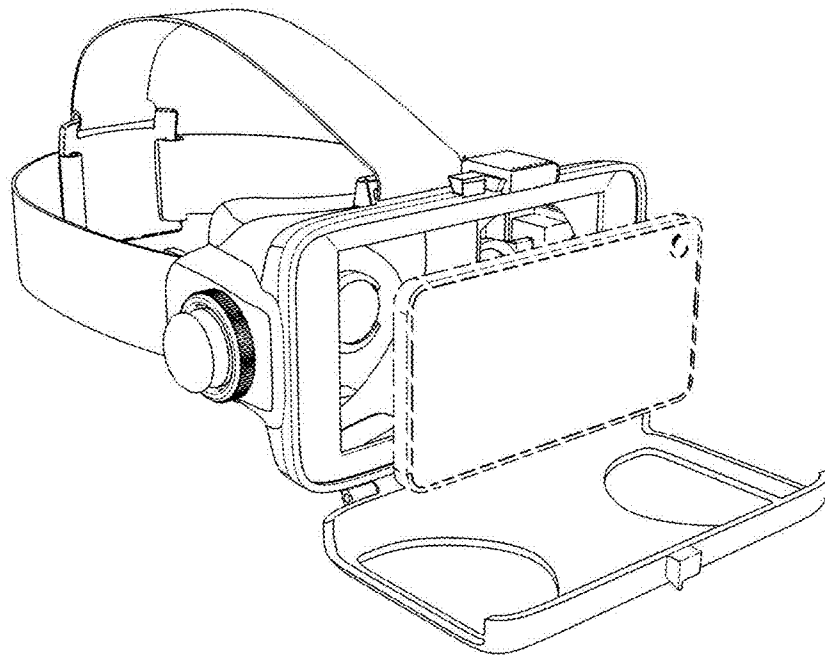


FIG. 10

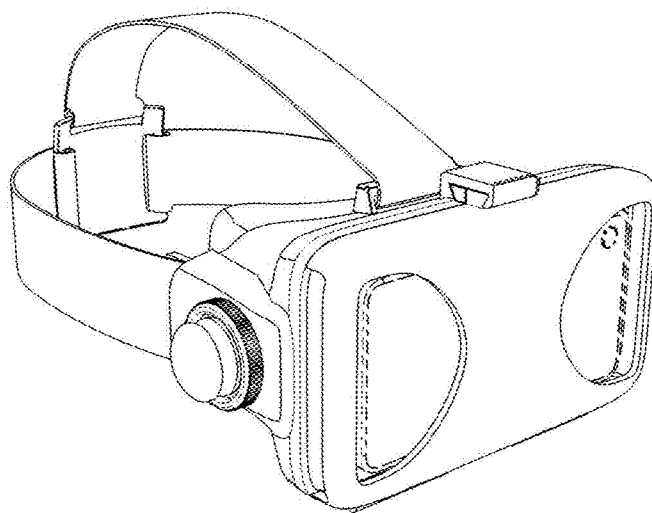


FIG. 11