



US00D841416S

(12) **United States Design Patent** (10) **Patent No.:** **US D841,416 S**  
**Davison et al.** (45) **Date of Patent:** **\*\* Feb. 26, 2019**

(54) **BUCKLE RELEASE**  
(71) Applicant: **B&B Solutions, LLC**, Houston, TX (US)  
(72) Inventors: **Rebecca Davison**, Houston, TX (US); **Barbara Heilman**, Houston, TX (US)  
(73) Assignee: **B&B Solutions, LLC**, Houston, TX (US)  
(\*\*) Term: **15 Years**  
(21) Appl. No.: **29/615,477**  
(22) Filed: **Aug. 29, 2017**  
(51) **LOC (11) Cl.** ..... **08-05**  
(52) **U.S. Cl.**  
USPC ..... **D8/14**  
(58) **Field of Classification Search**  
USPC ..... D8/14, 98, 394, 395; D24/220  
CPC ... B25B 27/0035; B60R 22/105; B60R 22/00;  
B60N 2/2812  
See application file for complete search history.

D492,351 S \* 6/2004 Sato ..... D19/34  
D509,423 S \* 9/2005 Mariano ..... D8/395  
7,073,264 B2 \* 7/2006 Votolato ..... B26B 27/00  
30/2  
D645,865 S \* 9/2011 Diehl ..... D14/299  
D687,686 S \* 8/2013 Robinson ..... D8/14  
8,539,862 B1 \* 9/2013 Robinson ..... B60R 22/00  
24/578.13  
8,869,407 B2 \* 10/2014 Votolato ..... B67B 7/30  
30/280  
D747,169 S \* 1/2016 Koresh ..... D8/98

\* cited by examiner  
*Primary Examiner* — Philip S Hyder  
(74) *Attorney, Agent, or Firm* — Bell Nunnally & Martin LLP

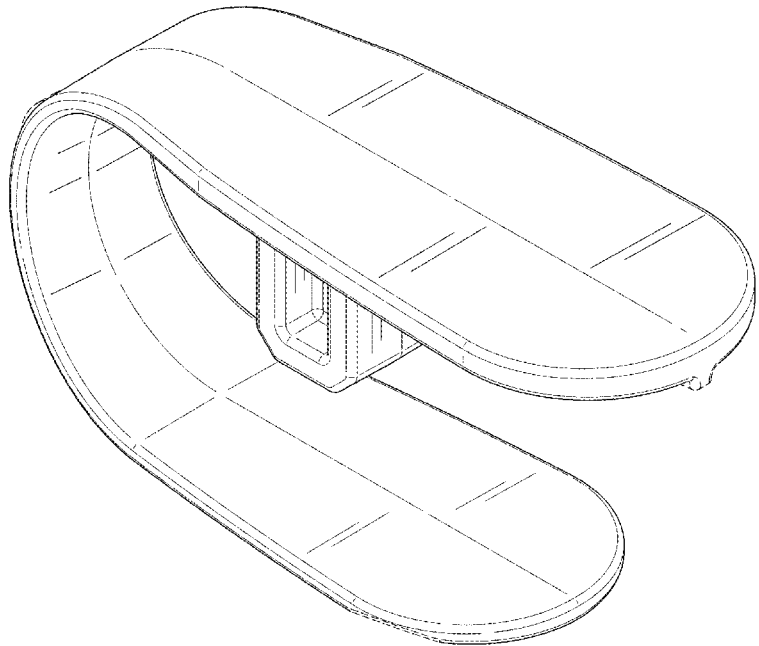
(57) **CLAIM**  
The ornamental design for a buckle release, as shown and described.

**DESCRIPTION**

FIG. 1 is a perspective view of a buckle release in accordance with our design;  
FIG. 2 is a right side view thereof;  
FIG. 3 is a left side view thereof;  
FIG. 4 is a top plan view thereof;  
FIG. 5 is a bottom plan view thereof;  
FIG. 6 is a back view thereof; and,  
FIG. 7 is a front view thereof.  
The broken lines shown in the drawings illustrate portions of the buckle release in which the design is embodied that form no part of claimed design.

**1 Claim, 7 Drawing Sheets**

(56) **References Cited**  
U.S. PATENT DOCUMENTS  
5,007,171 A \* 4/1991 Horning, Jr. .... B65B 69/0033  
30/2  
D394,745 S \* 6/1998 Egelja ..... D2/946  
5,992,887 A \* 11/1999 Maruchi ..... B42D 9/005  
24/67.9  
6,457,218 B1 \* 10/2002 Lawrence ..... B42F 1/10  
24/3.12  
6,658,742 B2 \* 12/2003 Votolato ..... B26B 27/00  
30/278



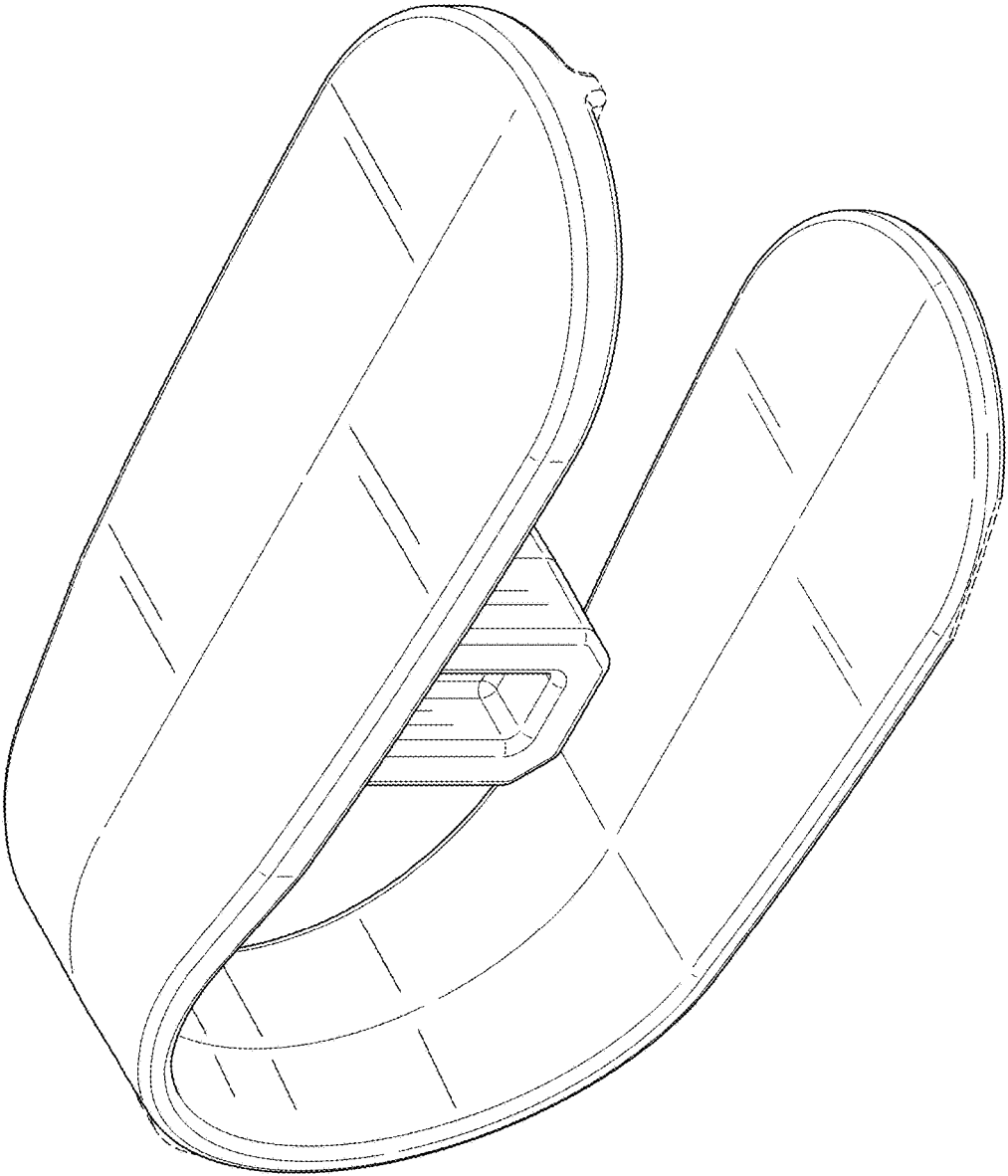


FIG. 1

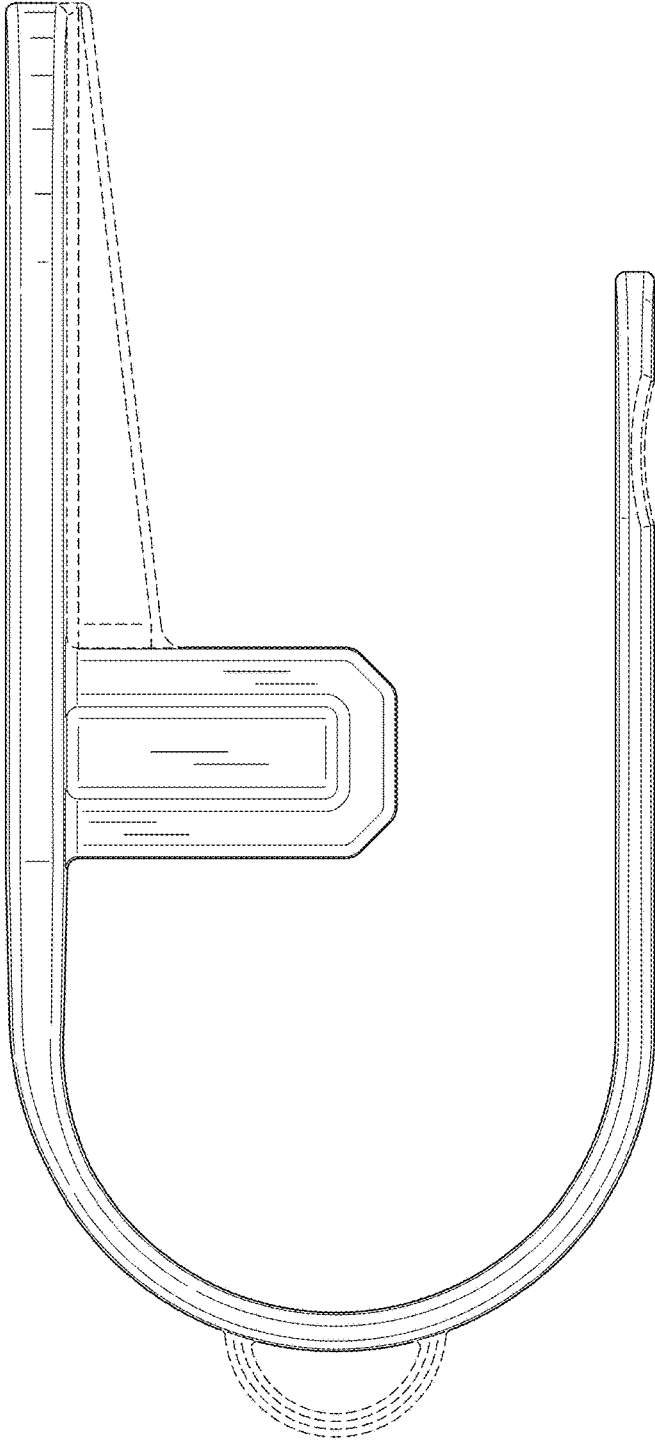


FIG. 2

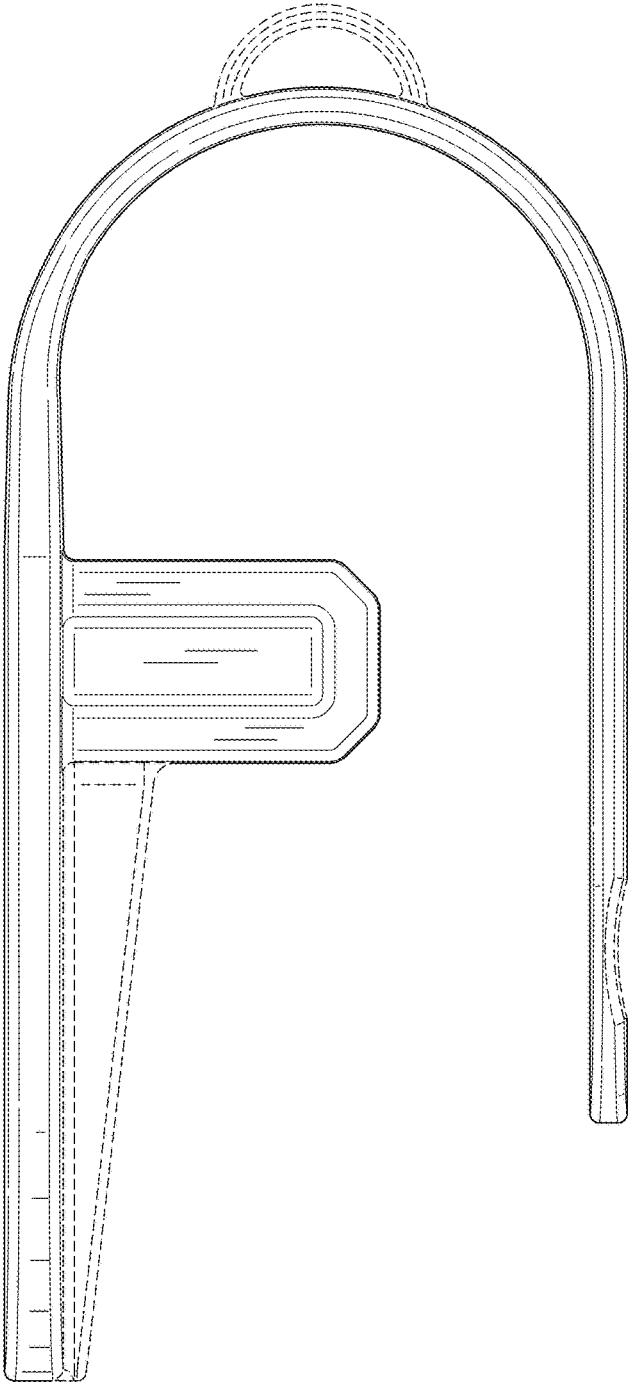


FIG. 3

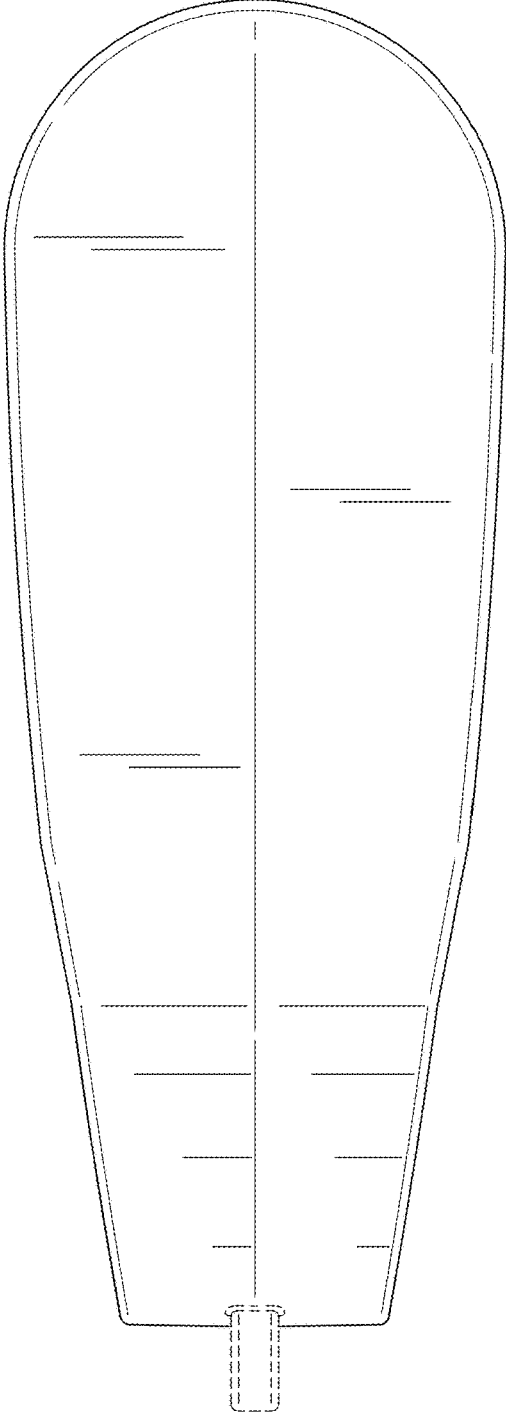


FIG. 4

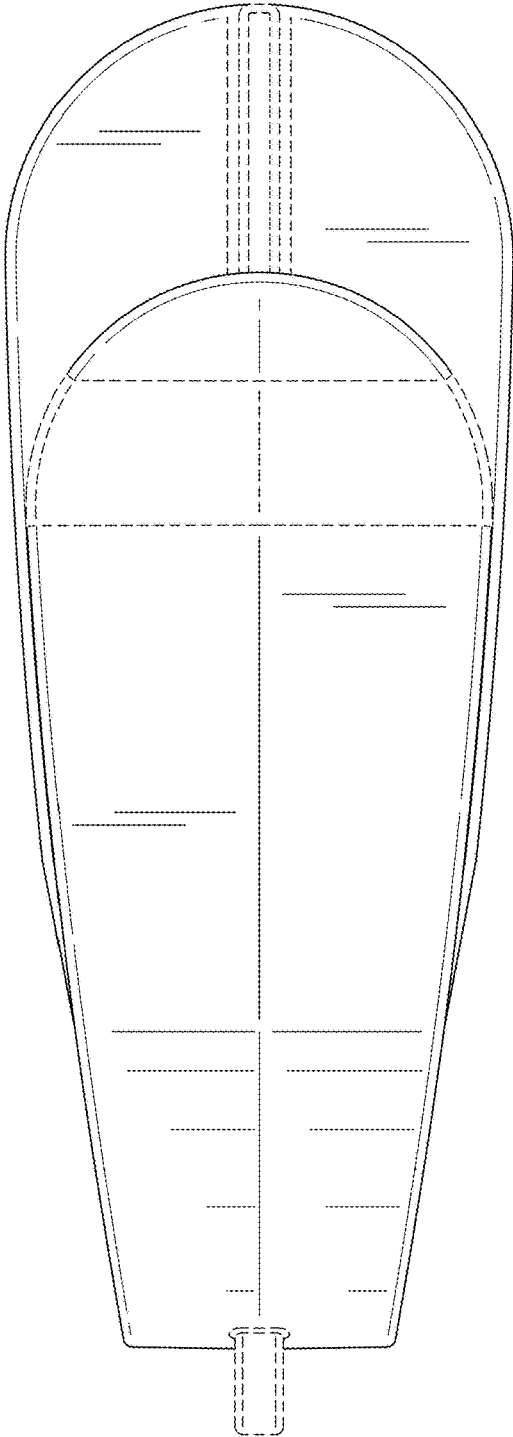


FIG. 5

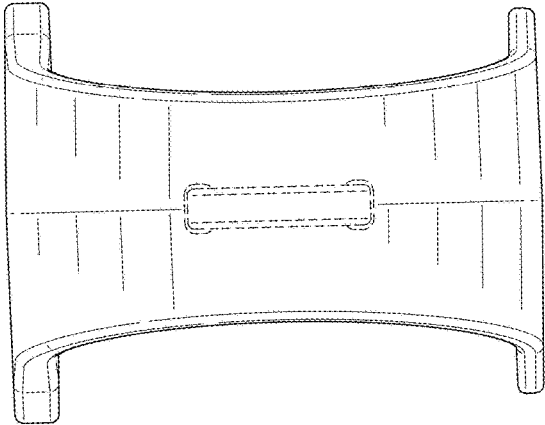


FIG. 6

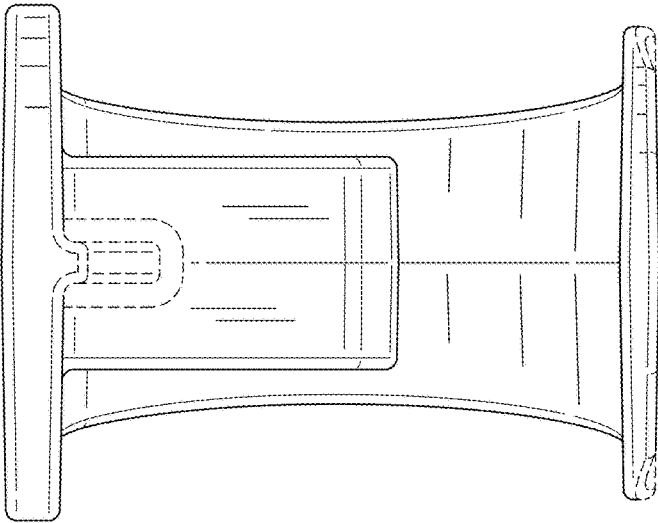


FIG. 7