



US00D420864S

United States Patent [19]

[11] Patent Number: **Des. 420,864**

Kenney et al.

[45] Date of Patent: **** Feb. 22, 2000**

[54] **SIEVE**

[75] Inventors: **Alan Kenney**, Cambridge, United Kingdom; **Kenneth Oliver McCartney**, Hilden, Germany

[73] Assignee: **F. Kurt Retsch GmbH & Co. KG**, Haan, Germany

[**] Term: **14 Years**

[21] Appl. No.: **29/094,806**

[22] Filed: **Oct. 9, 1998**

[30] Foreign Application Priority Data

Apr. 9, 1998 [GB] United Kingdom 2073882

[51] **LOC (7) Cl.** **07-04**

[52] **U.S. Cl.** **D7/667**

[58] **Field of Search** D7/667, 668, 400; 210/464, 470, 473, 498, 499

[56] References Cited

U.S. PATENT DOCUMENTS

D. 185,399	6/1959	Tupper	D7/667
D. 272,222	1/1984	Cho	D7/667
D. 391,440	3/1998	Cousins	D7/667 X
4,452,581	6/1984	Panchal	210/469

Primary Examiner—Terry A. Wallace
Attorney, Agent, or Firm—Robert W. Becker & Associates

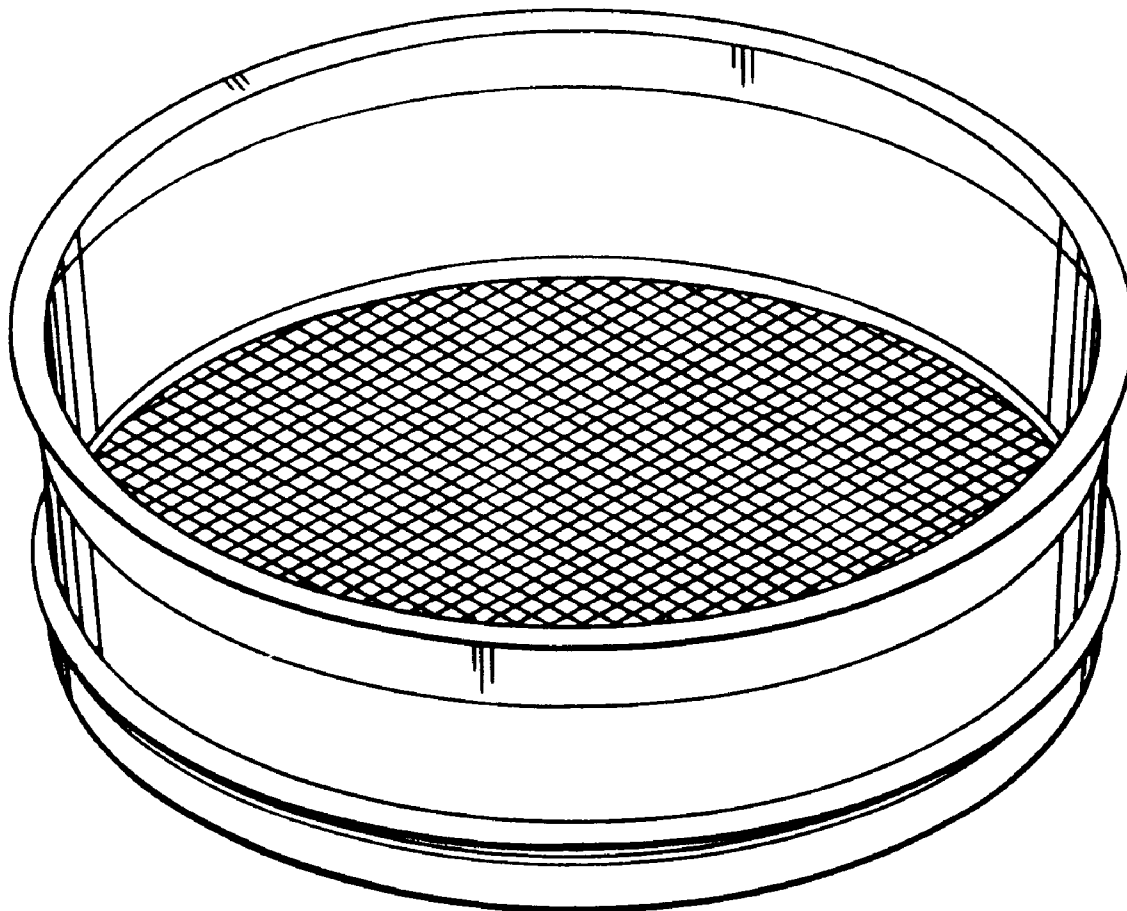
[57] CLAIM

The ornamental design for a sieve, as shown.

DESCRIPTION

FIG. 1 is a perspective view of a sieve showing our new design; FIG. 2 is an enlarged side elevation view thereof; FIG. 3 is an enlarged top plan view thereof; and, FIG. 4 is an enlarged bottom plan view thereof.

1 Claim, 4 Drawing Sheets



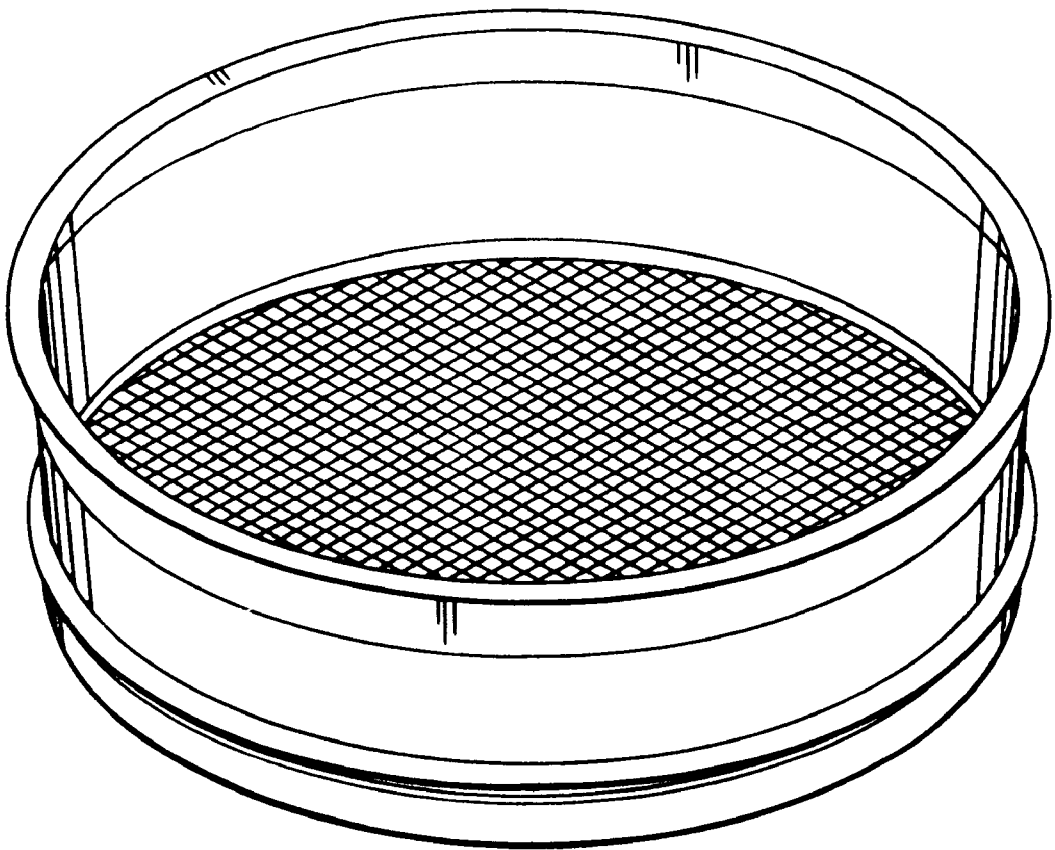


FIG-1

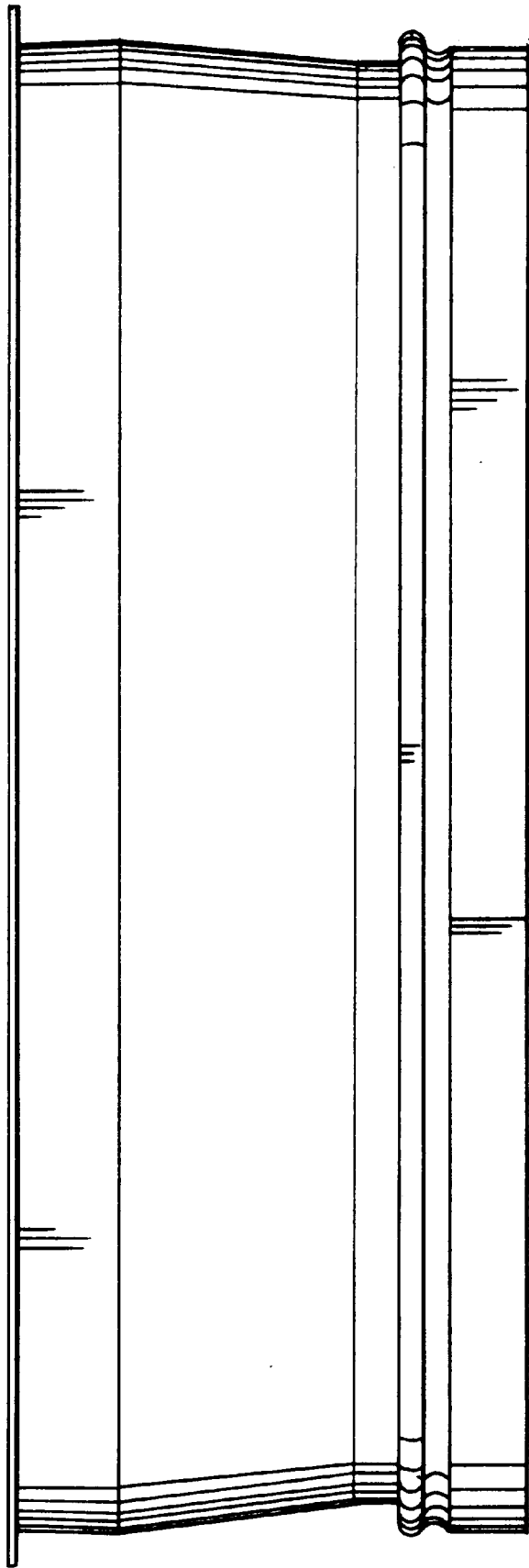


FIG-2

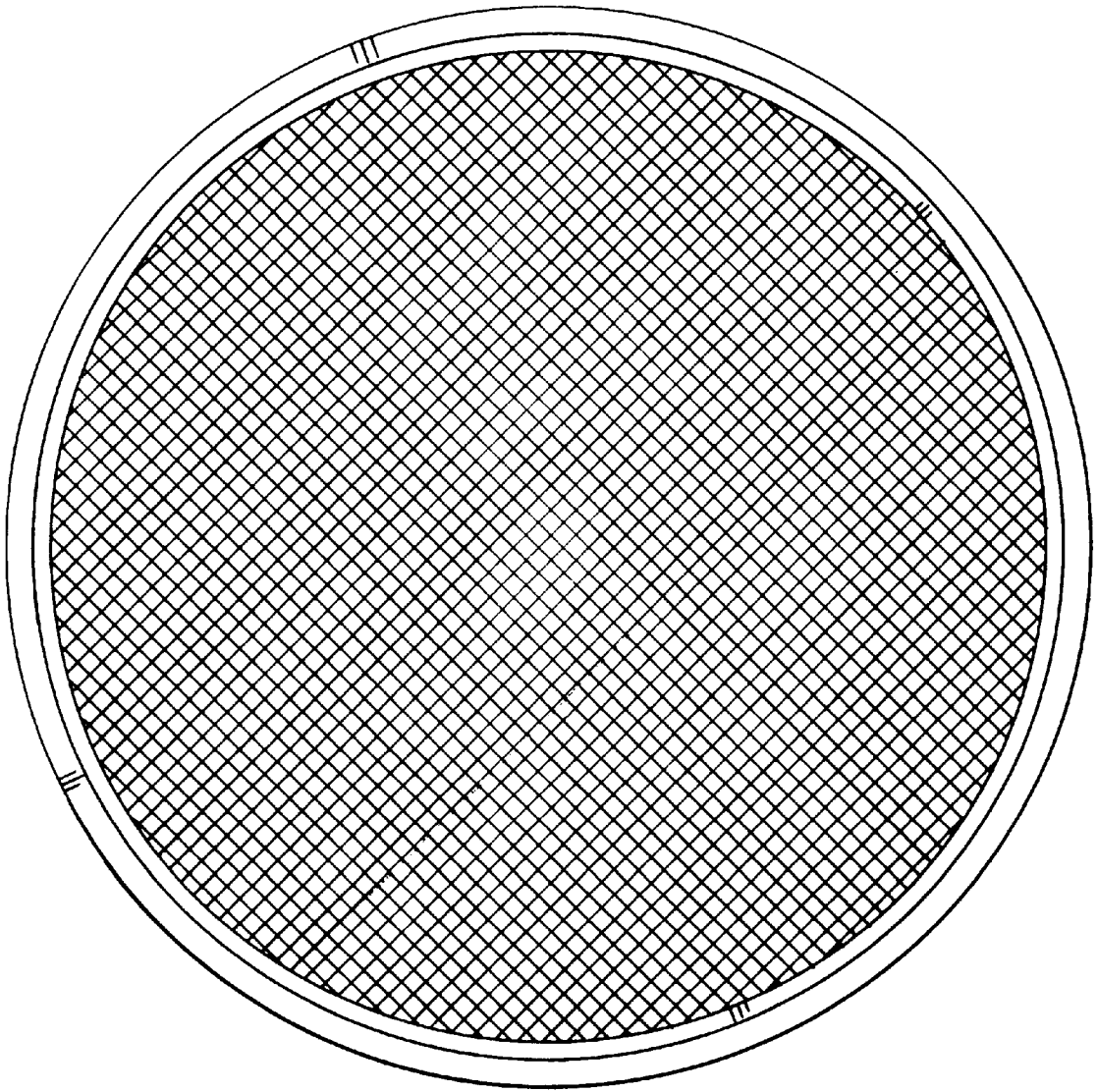


FIG-3

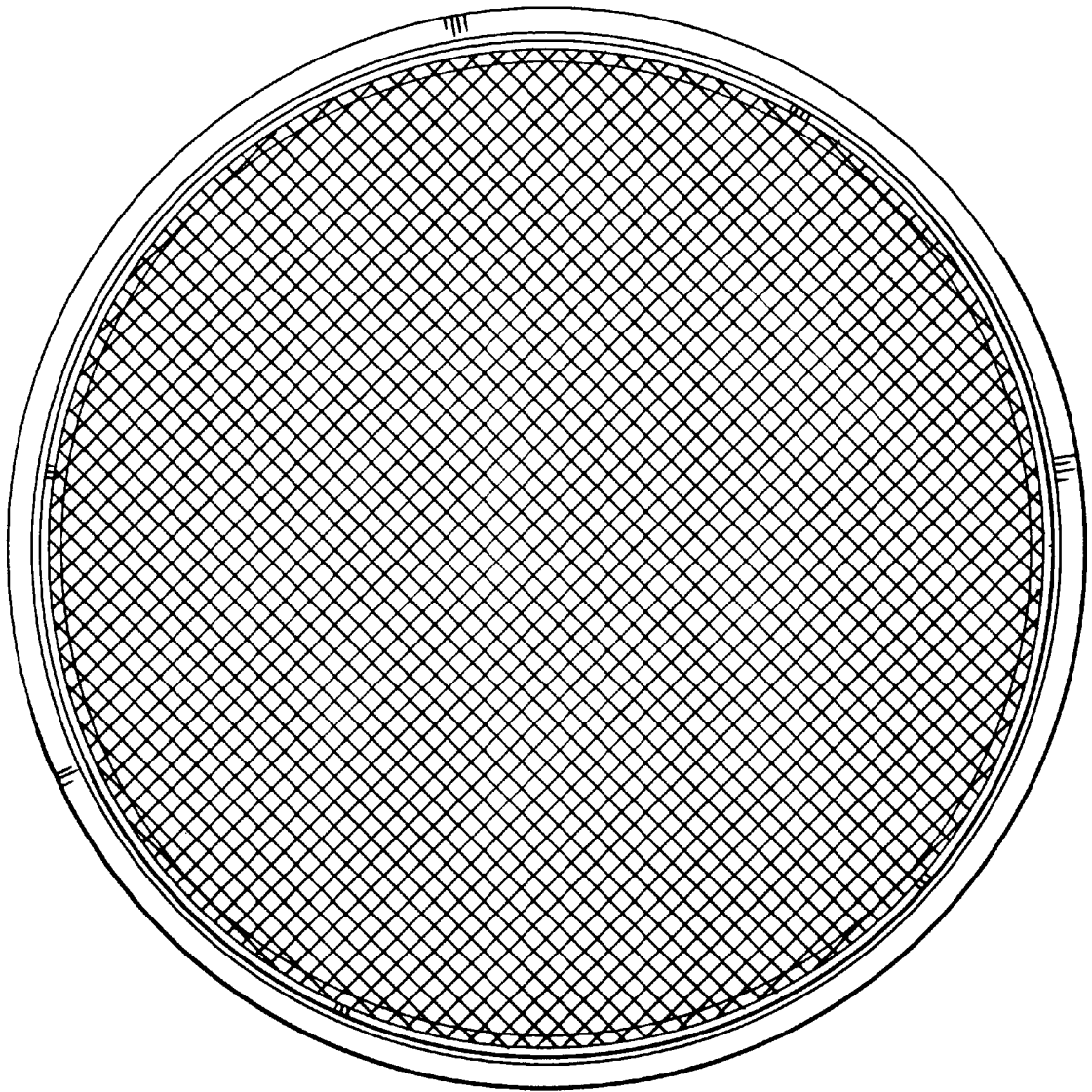


FIG-4