



(12) **United States Design Patent**
Barton et al.

(10) **Patent No.:** **US D901,686 S**
(45) **Date of Patent:** **** Nov. 10, 2020**

(54) **APPLICATOR FOR SURGICAL STAPLER BUTTRESS**

5,878,193 A 3/1999 Wang et al.
6,231,565 B1 5/2001 Tovey et al.
6,364,888 B1 4/2002 Niemeyer et al.

(Continued)

(71) Applicant: **Ethicon LLC**, Guaynabo, PR (US)

(72) Inventors: **Trevor J. Barton**, Cincinnati, OH (US);
Christopher J. Hess, Blue Ash, OH (US);
John V. Hunt, Cincinnati, OH (US);
Emily A. Schellin, Cincinnati, OH (US);
Michael J. Vendely, Lebanon, OH (US);
Mark S. Zeiner, Mason, OH (US)

FOREIGN PATENT DOCUMENTS

JP 1566434 S 1/2017

OTHER PUBLICATIONS

Non-Provisional U.S. Appl. No. 16/234,727, entitled "Surgical Stapler with Tissue Engagement Features Around Tissue Containment Pin," filed Dec. 28, 2018.

(Continued)

(73) Assignee: **Ethicon LLC**, Guaynabo, PR (US)

(**) Term: **15 Years**

Primary Examiner — Wan Laymon

(74) *Attorney, Agent, or Firm* — Frost Brown Todd LLC

(21) Appl. No.: **29/675,168**

(57) **CLAIM**

The ornamental design for an applicator for a surgical stapler buttress, as shown and described.

(22) Filed: **Dec. 28, 2018**

(51) **LOC (12) Cl.** **24-02**

(52) **U.S. Cl.**

USPC **D24/145**

(58) **Field of Classification Search**

USPC D24/145

CPC . A61B 17/0682; A61B 17/068; A61B 17/072;

A61B 17/07292; A61B 17/07207

See application file for complete search history.

DESCRIPTION

FIG. 1 is a perspective view of an applicator for a surgical stapler buttress, showing our new design;

FIG. 2 is a front elevational view of the applicator for a surgical stapler buttress of FIG. 1, the opposite rear elevational view being a mirror image thereof;

FIG. 3 is a right side elevational view of the applicator for a surgical stapler buttress of FIG. 1;

FIG. 4 is a left side elevational view of the applicator for a surgical stapler buttress of FIG. 1; and,

FIG. 5 is a top plan view of the applicator for a surgical stapler buttress of FIG. 1, the opposite bottom plan view being a mirror image thereof.

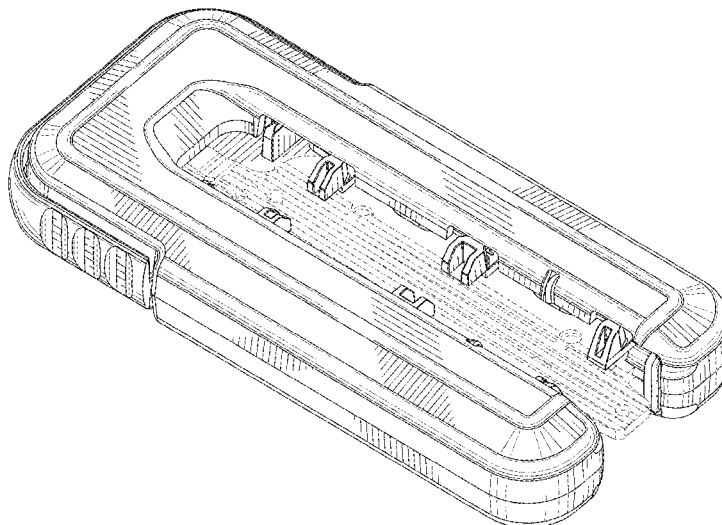
The broken lines in the drawings are included for the purpose of defining the boundary of the claim, it being understood that the region between the broken lines and the broken lines themselves form no part of the claimed design.

(56) **References Cited**

U.S. PATENT DOCUMENTS

4,805,823	A	2/1989	Rothfuss	
D320,272	S *	9/1991	Green	D24/145
5,415,334	A	5/1995	Williamson, IV et al.	
5,465,895	A	11/1995	Knodel et al.	
5,597,107	A	1/1997	Knodel et al.	
5,632,432	A	5/1997	Schulze et al.	
5,673,840	A	10/1997	Schulze et al.	
5,704,534	A	1/1998	Huitema et al.	
5,792,135	A	8/1998	Madhani et al.	
5,814,055	A	9/1998	Knodel et al.	
5,817,084	A	10/1998	Jensen	

1 Claim, 4 Drawing Sheets



(56)

References Cited

OTHER PUBLICATIONS

Design U.S. Appl. No. 29/675,170, entitled "Buttress for Surgical Stapler," filed Dec. 28, 2018.

Design U.S. Appl. No. 29/675,172, entitled "Tray for Surgical Stapler Buttress Applicator," filed Dec. 28, 2018.

Design U.S. Appl. No. 29/675,197, entitled "Applicator for a Stapler Buttress," filed Dec. 28, 2018.

Design U.S. Appl. No. 29/675,199, entitled "Buttress Assembly for a Surgical Stapler," filed Dec. 28, 2018.

Provisional U.S. Appl. No. 62/209,041, entitled "Method and Apparatus for Applying a Buttress to End Effector of a Surgical Stapler," filed Aug. 24, 2015.

Japanese Office Action, Notification, dated Jun. 23, 2020 for Application No. JP 2019-014271, 1 pg.

* cited by examiner

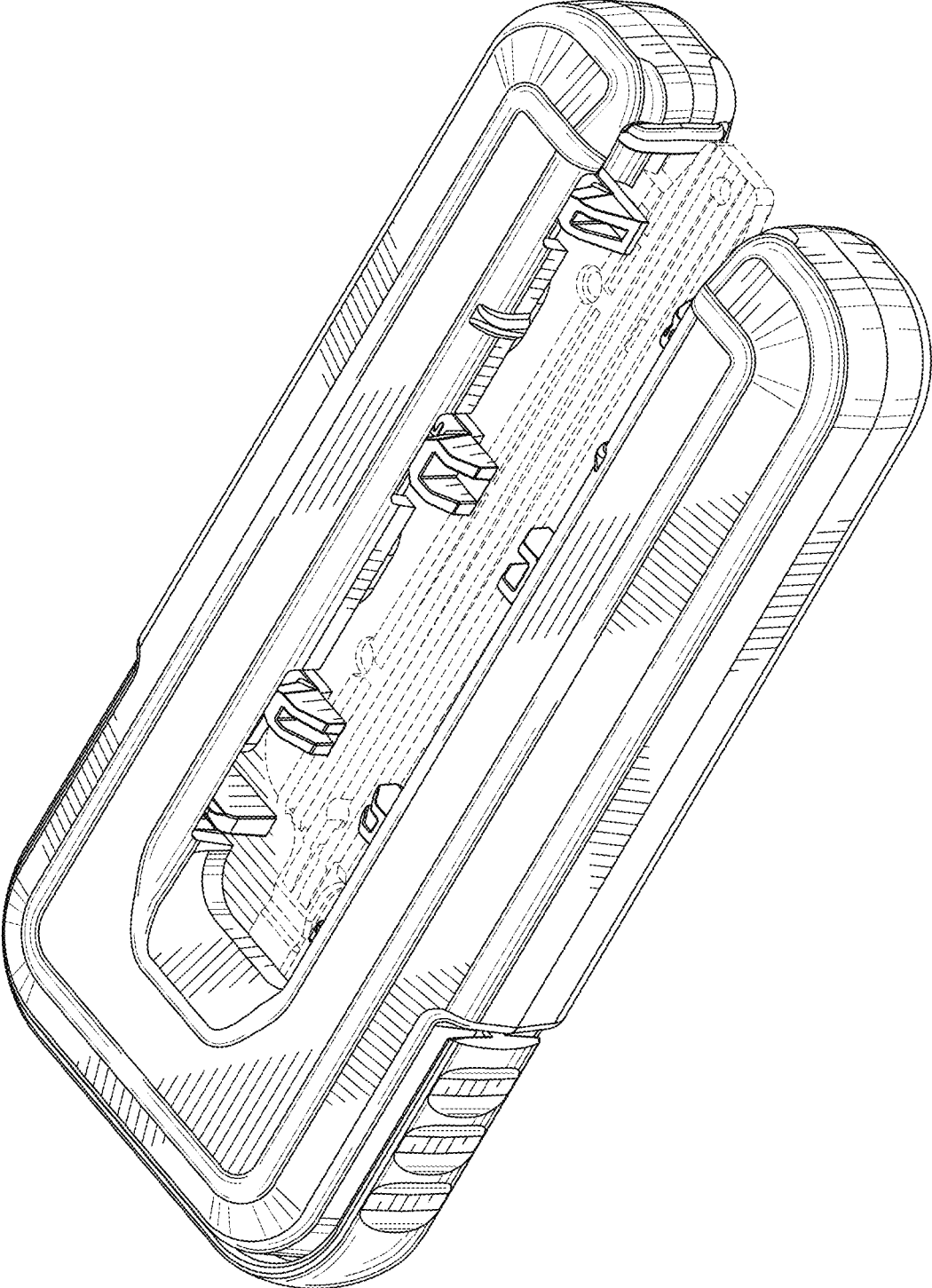


Fig. 1

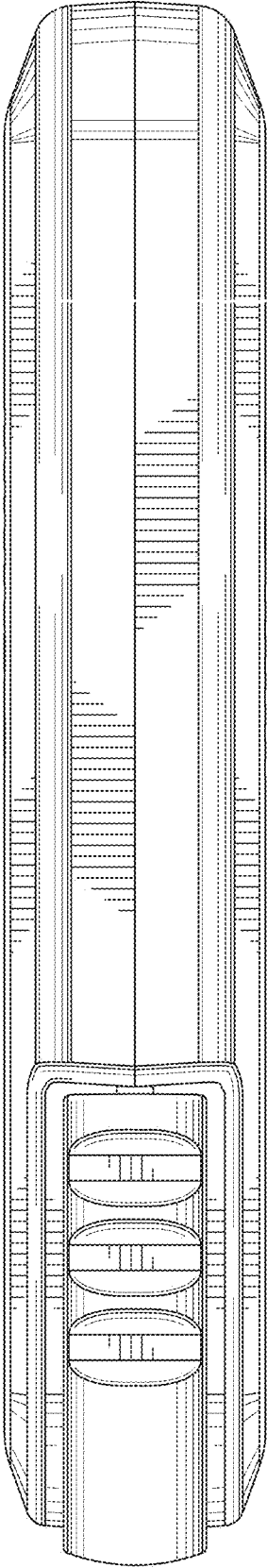


Fig.2

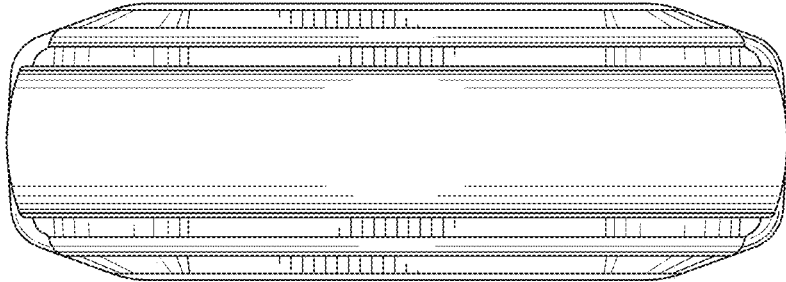


Fig.3

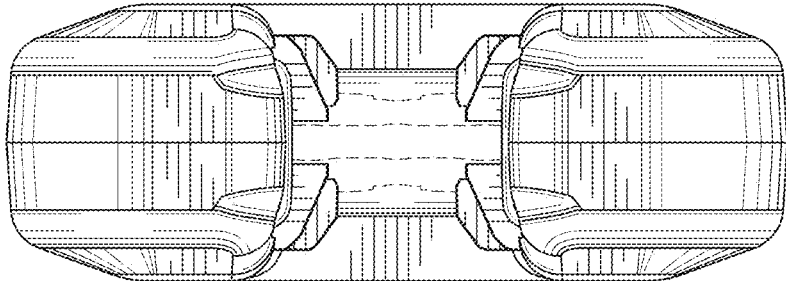


Fig.4

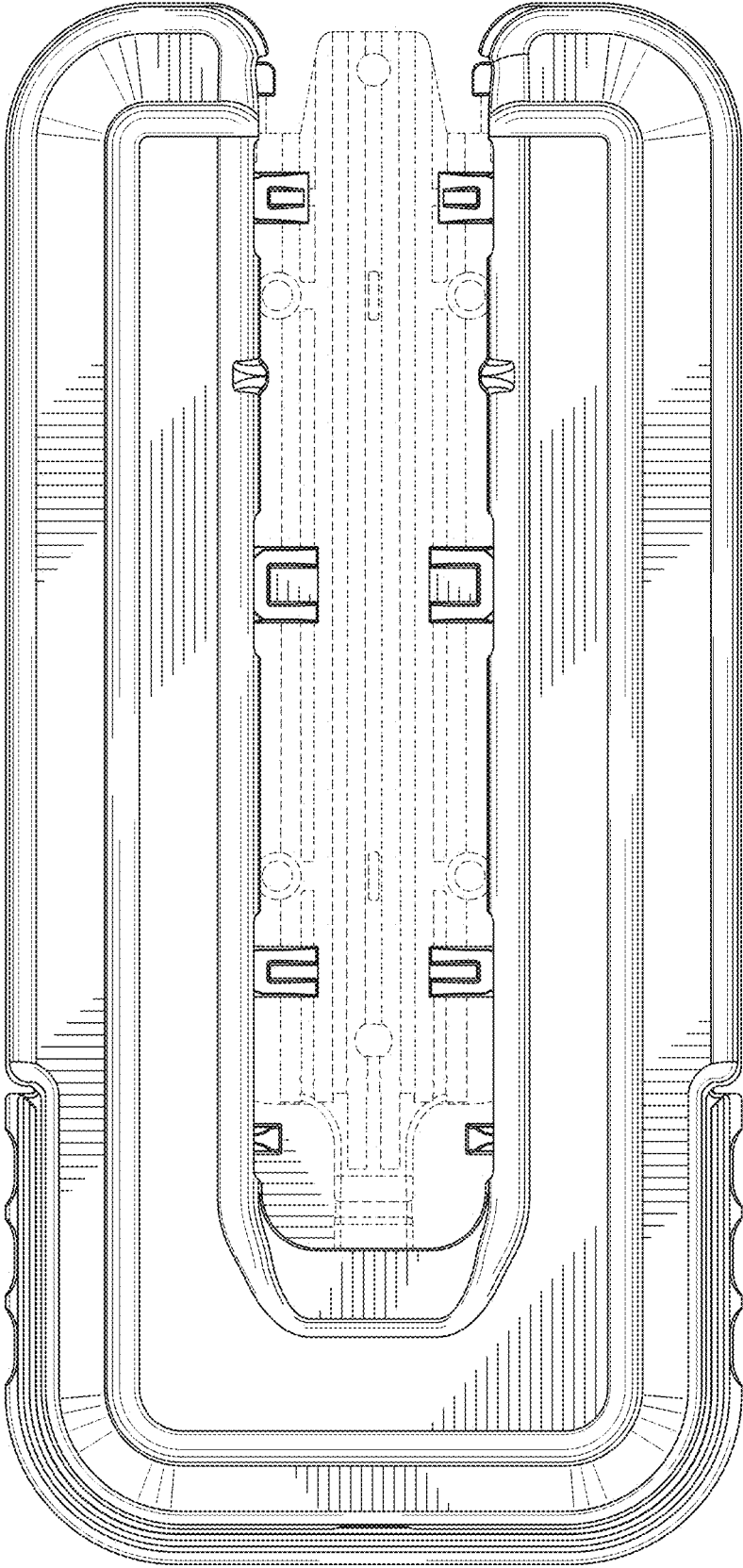


Fig. 5