



US0D1036104S

(12) **United States Design Patent**
Deng

(10) **Patent No.:** **US D1,036,104 S**

(45) **Date of Patent:** **** Jul. 23, 2024**

(54) **BACKPACK**

FOREIGN PATENT DOCUMENTS

(71) Applicant: **Guangzhou Feien Clothing Co. LTD,**
Guangzhou (CN)

CN 304485510 * 2/2018
CN 308071688 * 6/2023

(72) Inventor: **Hans Deng,** Guangzhou (CN)

OTHER PUBLICATIONS

(**) Term: **15 Years**

Angel kiss backpack, posted at amazon.com, first available Jun. 4, 2020, retrieved on Dec. 20, 2023, online, <https://www.amazon.com/Backpack-Leather-Backpacks-Shoulder-89BROWN/dp/B089NJ37F1> (Year: 2020).*

(21) Appl. No.: **29/835,854**

(Continued)

(22) Filed: **Apr. 22, 2022**

(51) **LOC (14) Cl.** **03-01**

Primary Examiner — John R Yeh
Assistant Examiner — Dustin Andrew Griffith

(52) **U.S. Cl.**

(57) **CLAIM**

USPC **D3/216;** D3/217

The ornamental design for a backpack, as shown and described.

(58) **Field of Classification Search**

DESCRIPTION

USPC D3/216–217, 225, 226, 230–232,
D3/252–254, 262, 285–289, 303,
D3/321–328; D9/703–707, 710
CPC A45F 3/02; A45F 3/04; A45F 3/08; A45F
3/10; A45F 3/14; A45F 3/042; A45F
3/047; A45F 2200/00; A45F 4/02

FIG. 1 is a front and top perspective view of a backpack, showing my new design;
FIG. 2 is a rear and bottom perspective view thereof;
FIG. 3 is a front elevation view thereof;
FIG. 4 is a rear elevation view thereof;
FIG. 5 is a left side elevation view thereof;
FIG. 6 is a right side elevation view thereof;
FIG. 7 is a top plan view thereof;
FIG. 8 is a bottom plan view thereof;
FIG. 9 is an enlarged view of a portion indicated with numeric 9 in FIG. 1;
FIG. 10 is an enlarged view of a portion indicated with numeric 10 in FIG. 1; and,
FIG. 11 is an enlarged view of a portion indicated with numeric 11 in FIG. 2.

See application file for complete search history.

The broken lines in the figures illustrate portions of the backpack that form no part of the claimed design. The dash dot dash lines in FIGS. 1, 2, 9, 10 and 11 are for the purpose of depicting the boundary lines of the enlarged views and form no part of the claimed design.

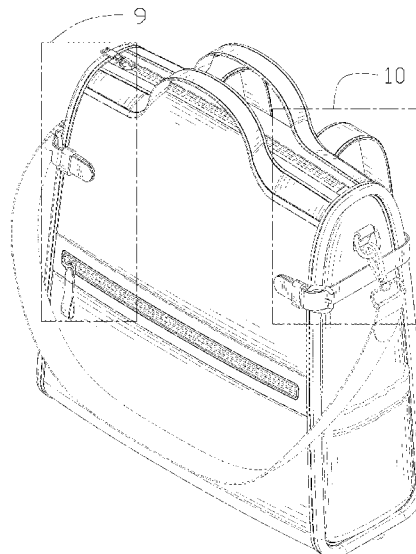
(56) **References Cited**

U.S. PATENT DOCUMENTS

1,951,527	A	*	3/1934	Oas	A45F 4/02
						383/4
D403,853	S	*	1/1999	Lothrop	D3/216
D435,962	S	*	1/2001	Kohlhase	D3/217
D525,430	S	*	7/2006	Suppangig	D3/289
D851,393	S	*	6/2019	Carter	D3/217
D883,660	S	*	5/2020	He	D3/217
D896,504	S	*	9/2020	Li	D3/217
D924,561	S	*	7/2021	Gilbert	D3/217
D941,014	S	*	1/2022	Ren	D3/217
D954,430	S	*	6/2022	Li	D3/217
D977,825	S	*	2/2023	Dejadon	D3/217
D983,519	S	*	4/2023	Ke	D3/217

(Continued)

1 Claim, 11 Drawing Sheets



(56)

References Cited

U.S. PATENT DOCUMENTS

2006/0180421 A1* 8/2006 Godshaw A45C 13/04
190/18 A

OTHER PUBLICATIONS

Cheruty backpack purse, posted at amazon.com, first available Dec. 5, 2023, retrieved on Dec. 20, 2023, online, <https://www.amazon.com/dp/B07KF443GS> (Year: 2023).*

Poiugoya leather backpack, posted at amazon.com, first available Jul. 21, 2023, retrieved on Dec. 20, 2023, online, <https://www.amazon.com/dp/B0CCDSJM5S?th=1> (Year: 2023).*

"Fadeon Womens Backpack Purse and Handbags Designer Ladies Shoulder Bag Vegan Leather Large Travel Backpack Purses", Web page <<https://www.amazon.com/gp/product/B09MNF3T2?th=1>>, 12 pages, retrieved on Apr. 14, 2022.

"Amazon.com Seller Profile: Fadeon", Web page <<https://www.amazon.com/sp?ie=UTF8&seller=A111ATO1O6ATY&isAmazonFulfilled=1>>, 6 pages, retrieved on Apr. 14, 2022.

<https://www.amazon.com/gp/product/B09MNF3T2?th=1>.
<https://www.amazon.com/sp?ie=UTF8&seller=A111ATO1O6ATY&isAmazonFulfilled=1>.

* cited by examiner

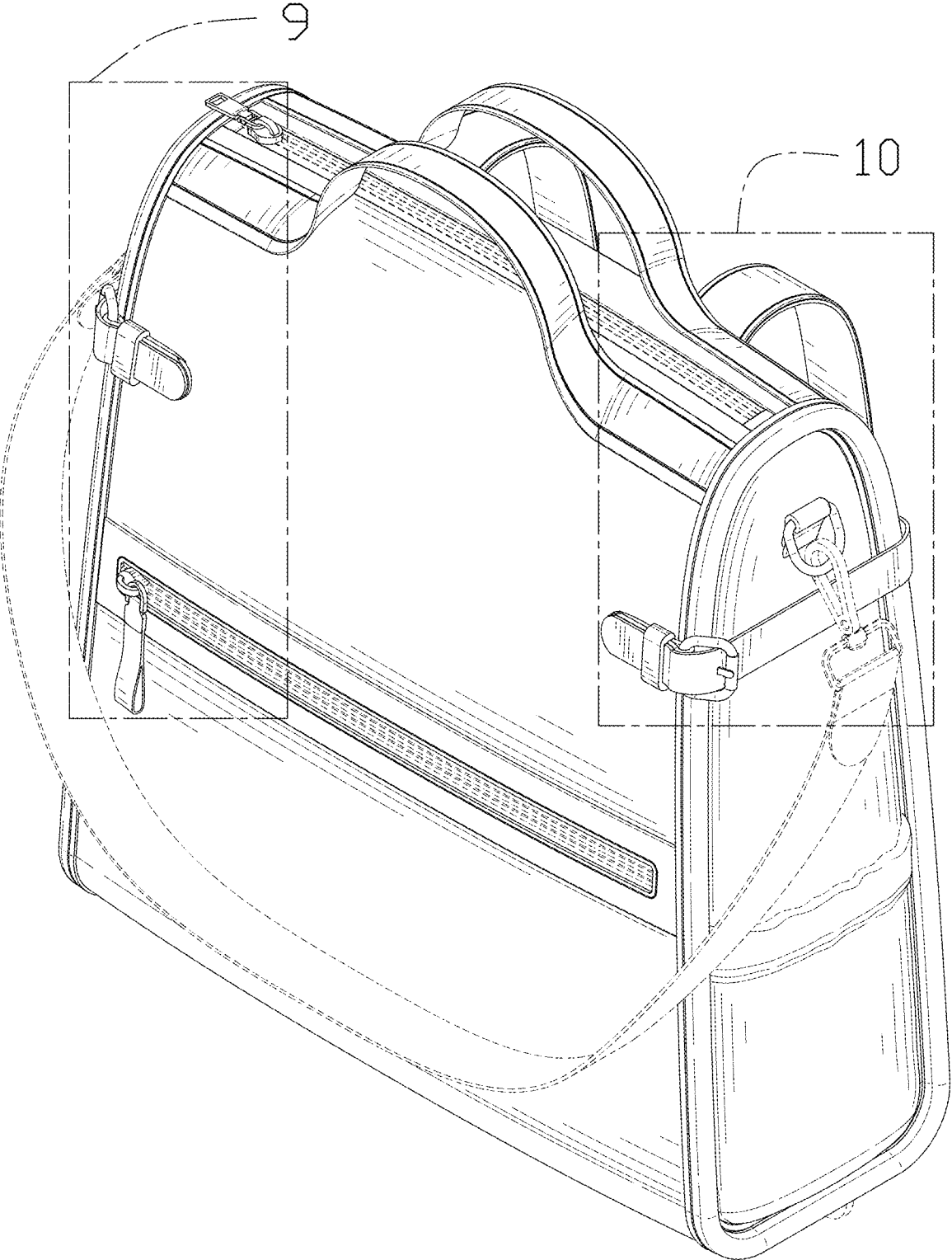


FIG. 1

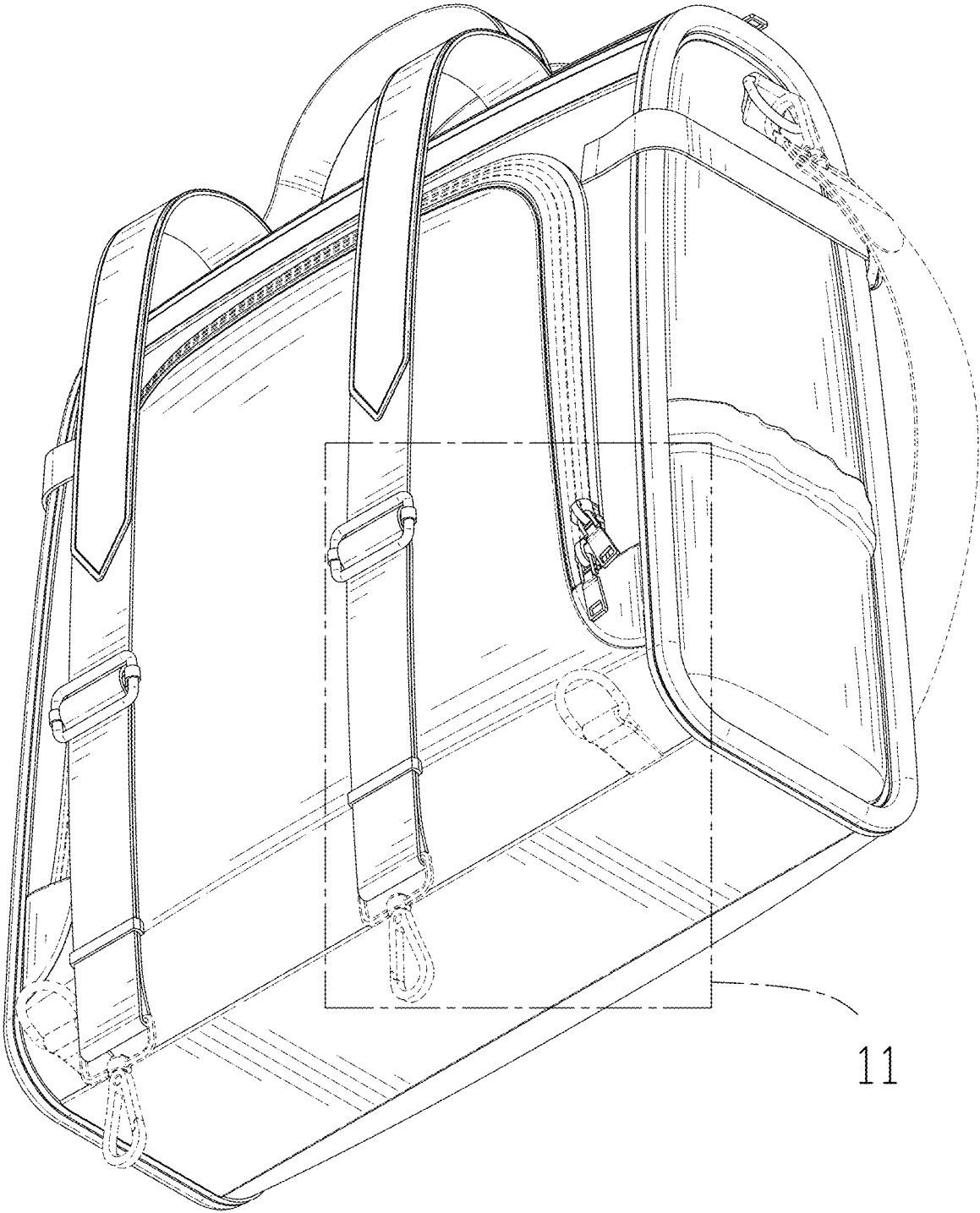


FIG. 2

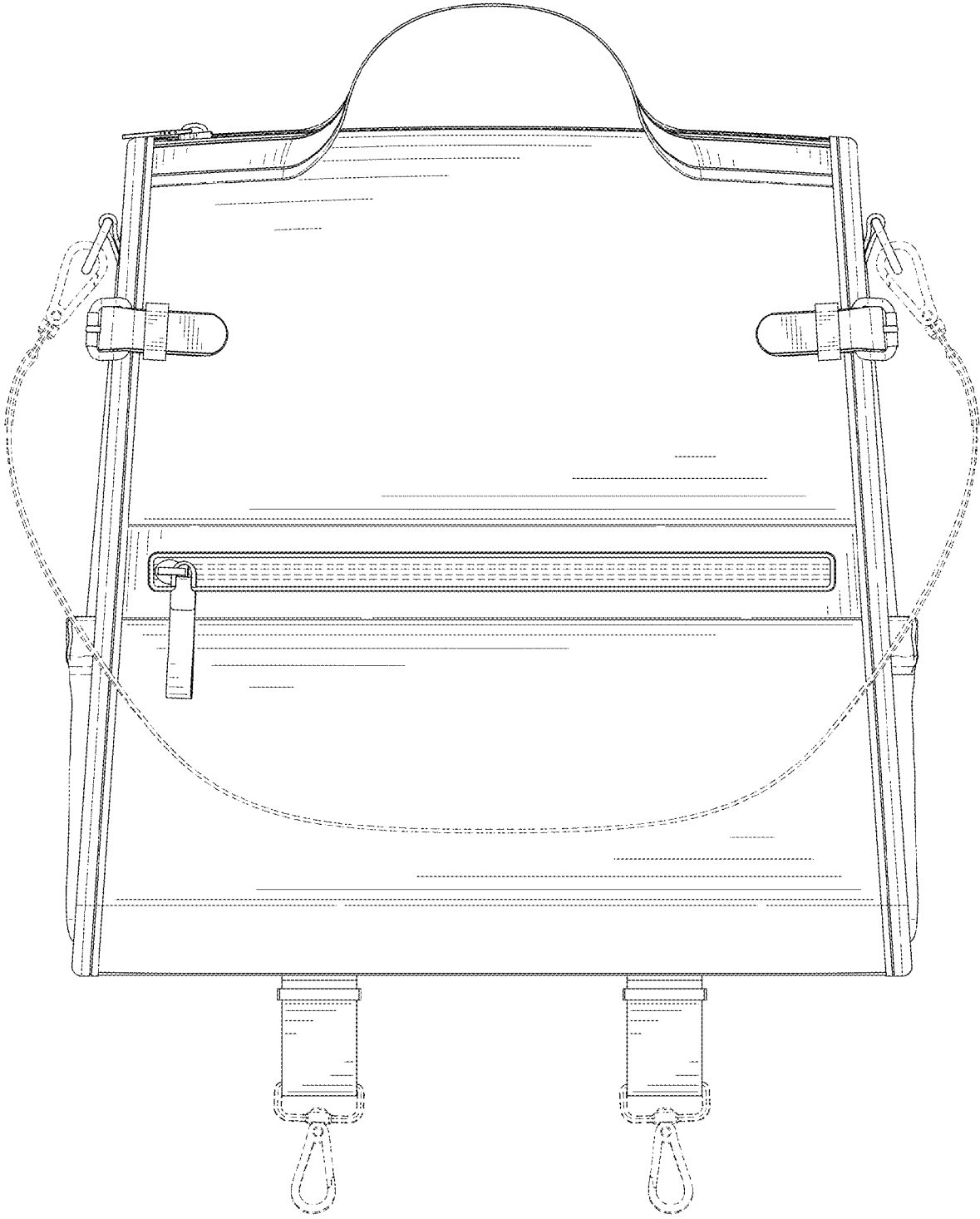


FIG. 3

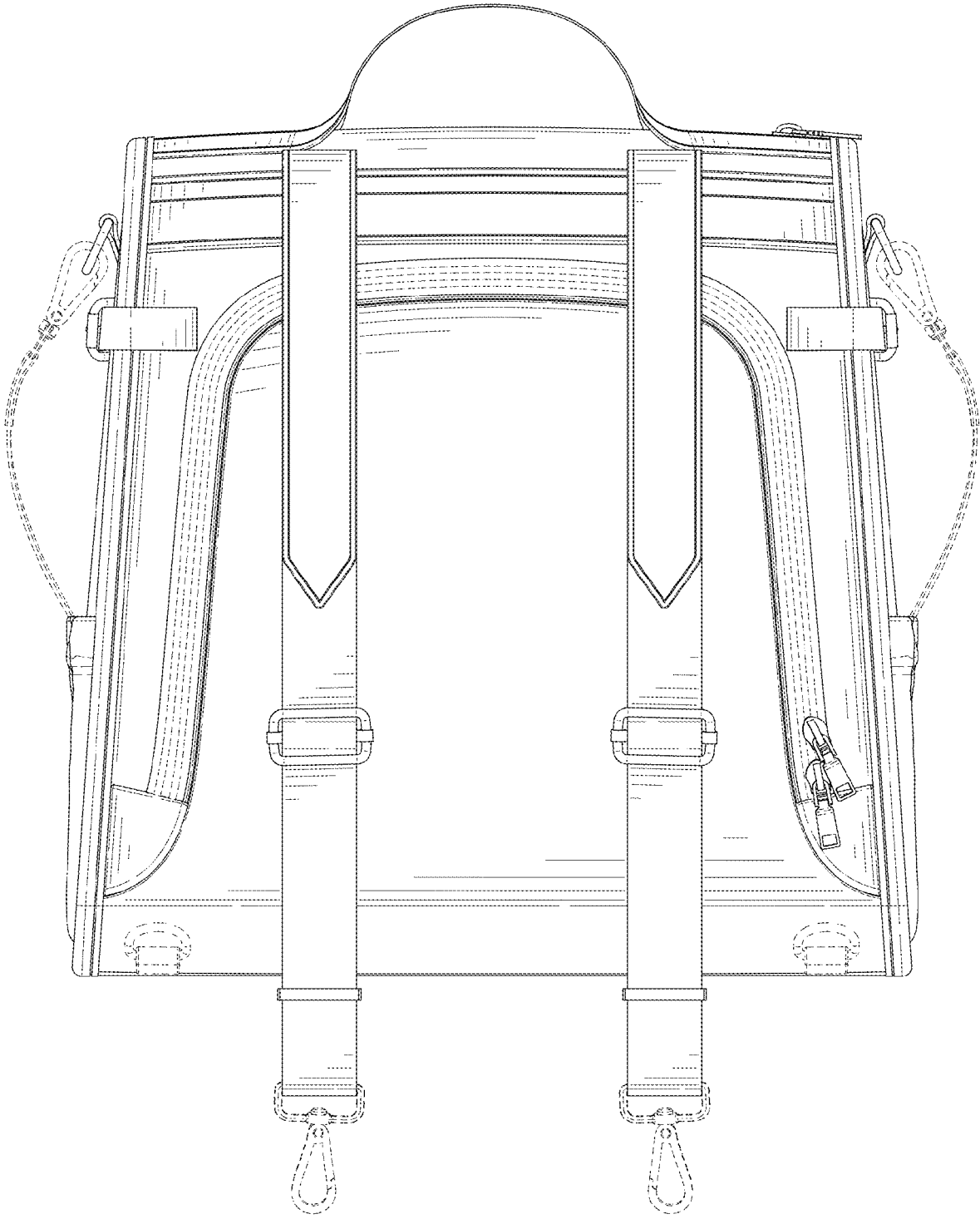


FIG. 4

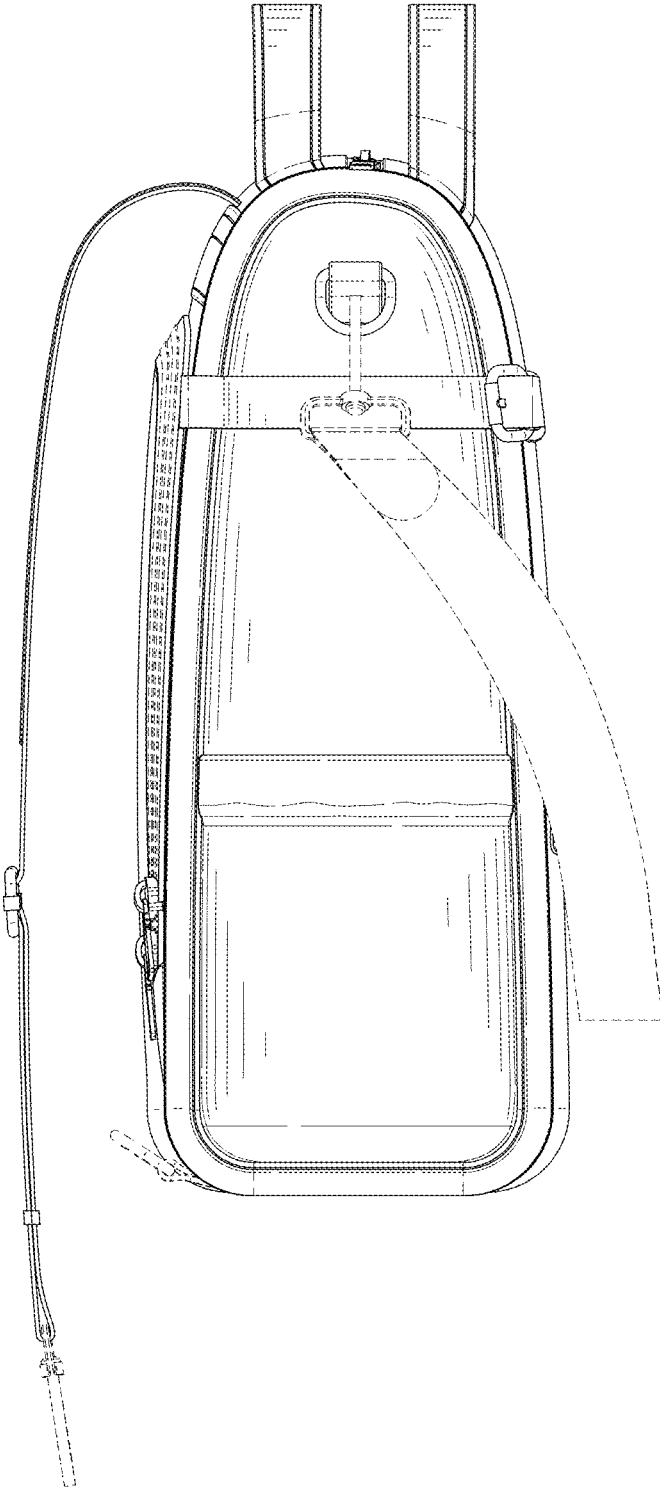


FIG. 5

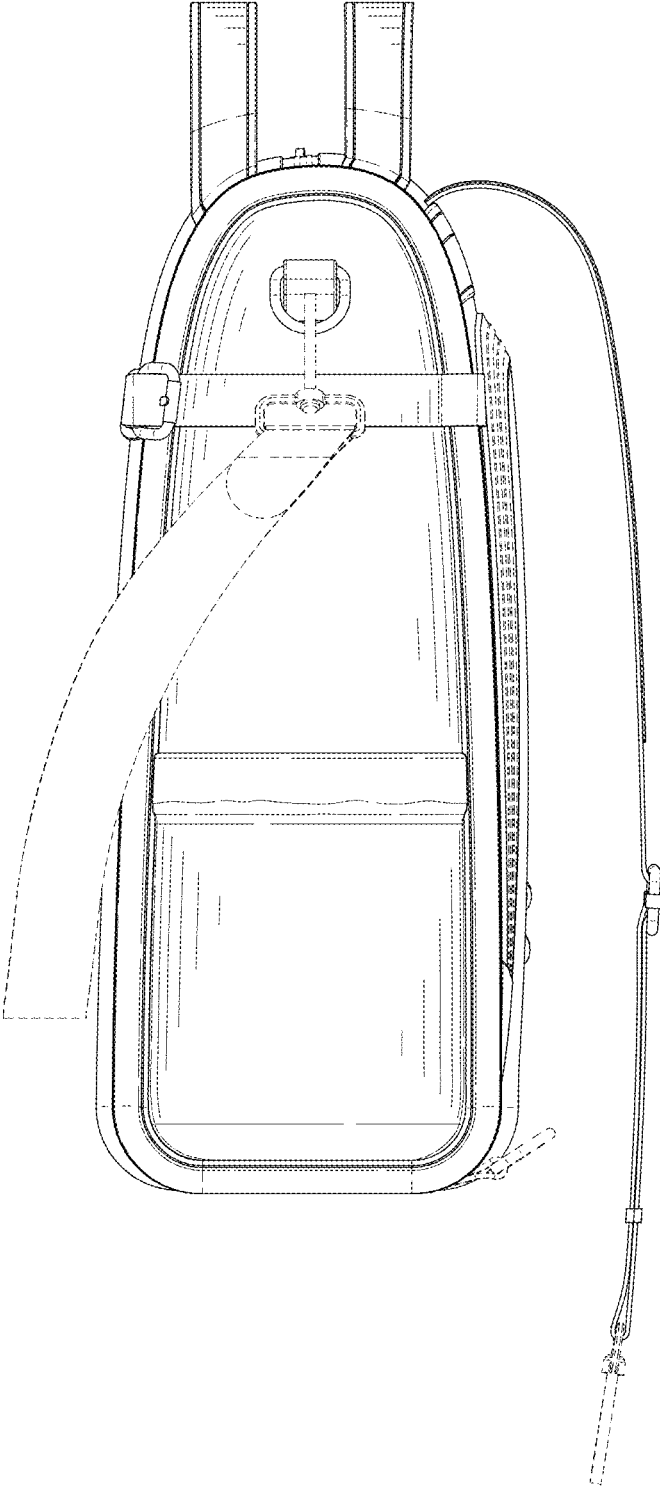


FIG. 6

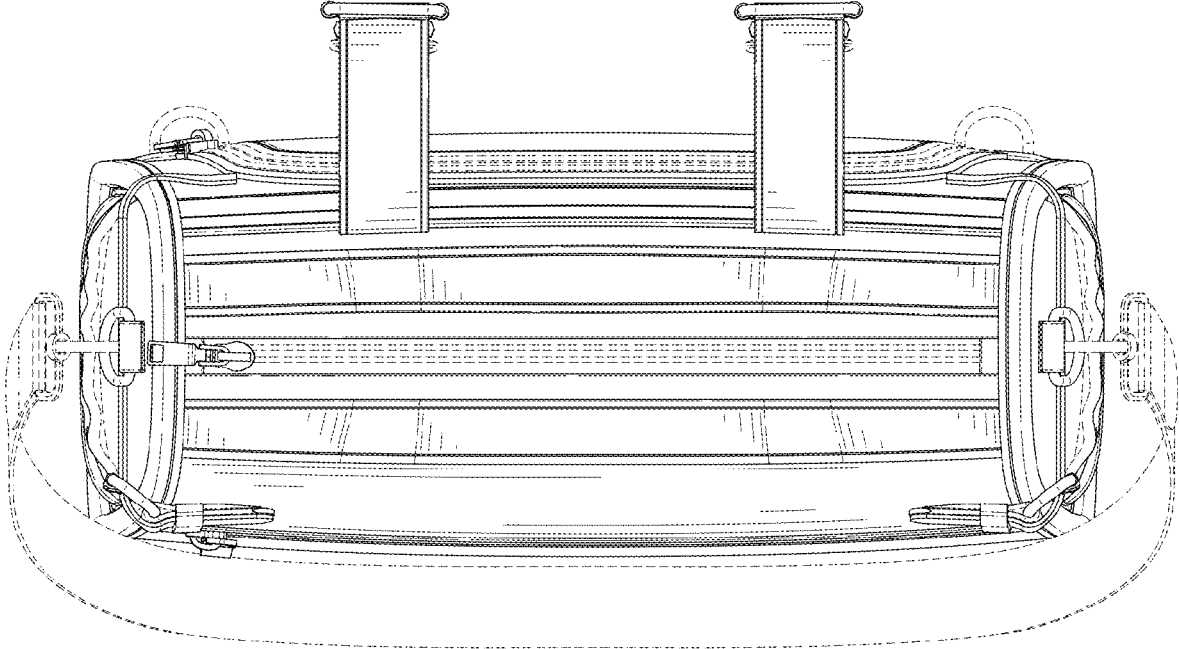


FIG. 7

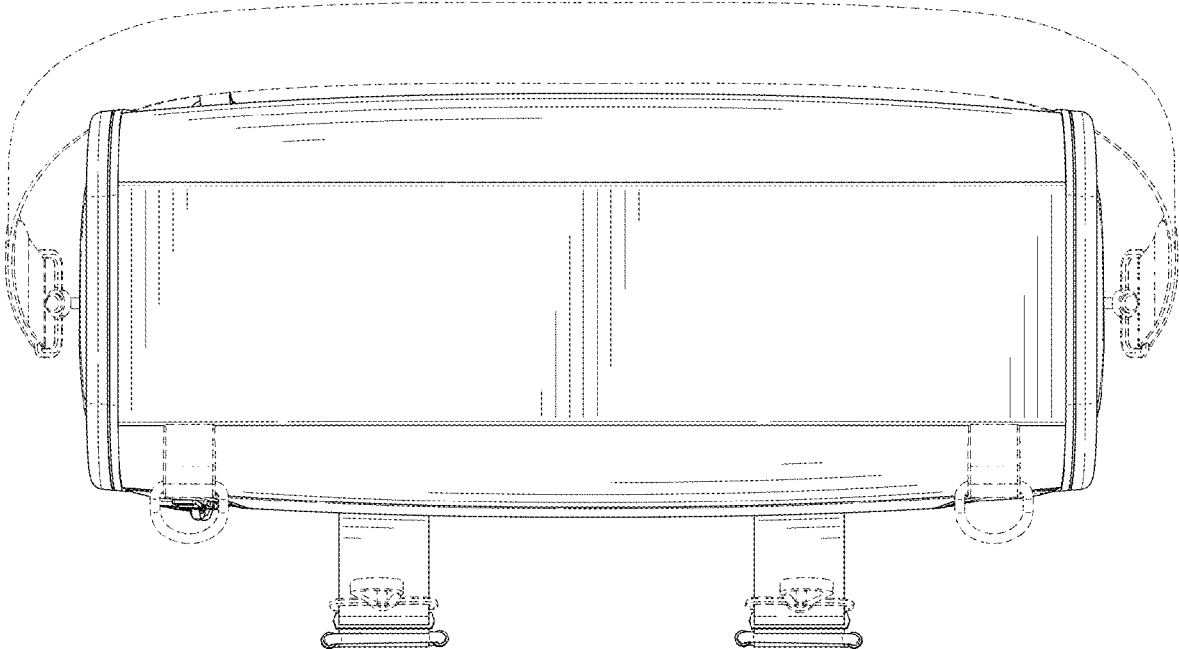


FIG. 8

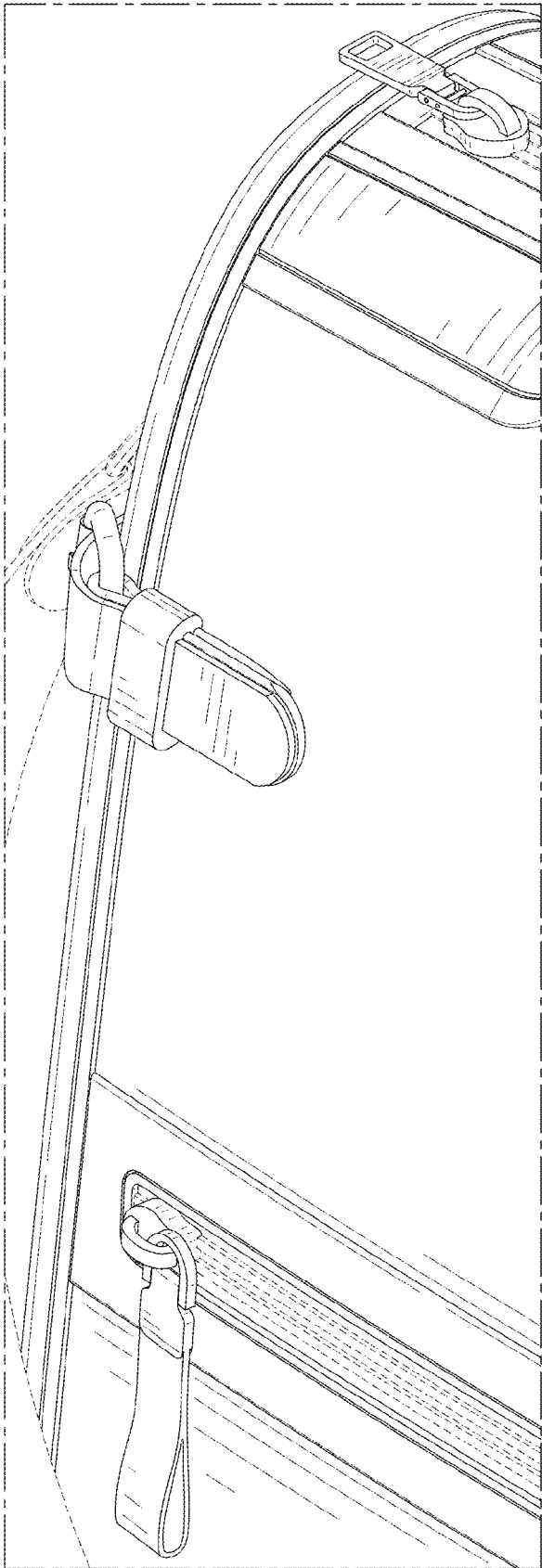


FIG. 9

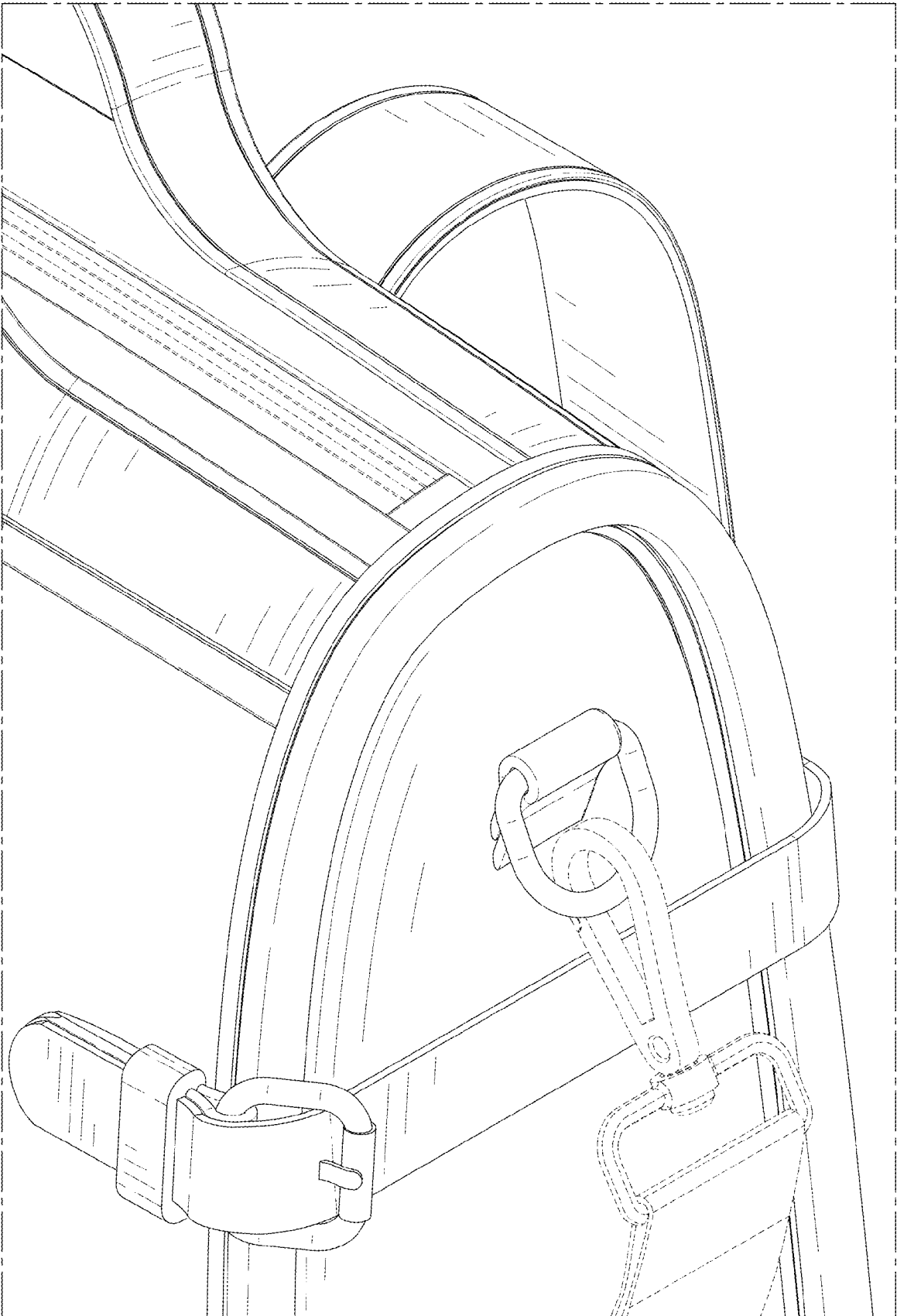


FIG. 10

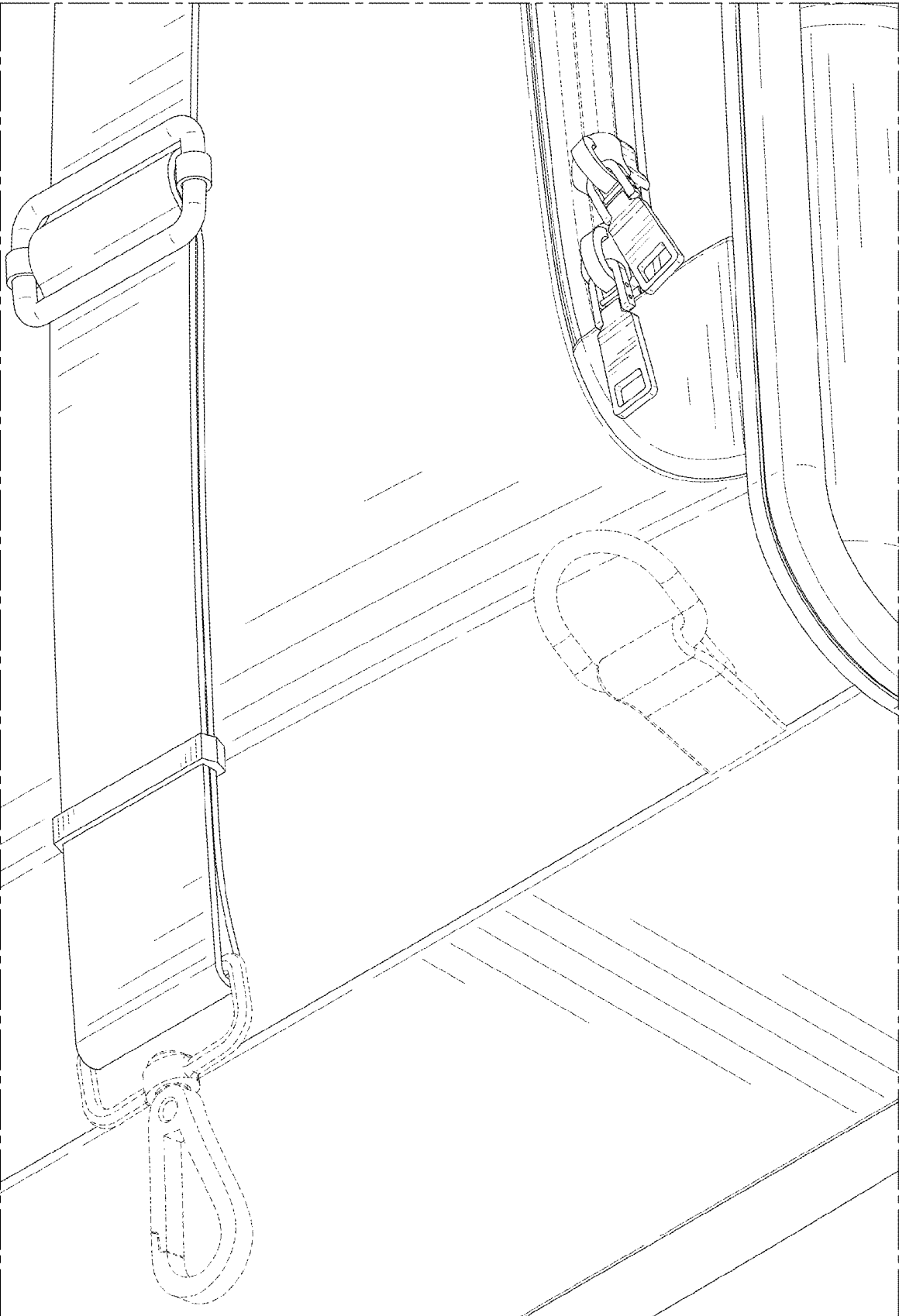


FIG. 11