



US00D837797S

(12) **United States Design Patent**
Wright et al.

(10) **Patent No.:** **US D837,797 S**

(45) **Date of Patent:** **** Jan. 8, 2019**

(54) **PROTECTIVE CASE**

DESCRIPTION

(71) Applicant: **CATALYST LIFESTYLE LIMITED,**
North Point (HK)

(72) Inventors: **Joshua Wright,** Hong Kong (CN);
June Lai, Hong Kong (CN)

(73) Assignee: **CATALYST LIFESTYLE LIMITED,**
North Point (HK)

(**) Term: **15 Years**

(21) Appl. No.: **29/657,623**

(22) Filed: **Jul. 24, 2018**

(51) **LOC (11) Cl.** **14-02**

(52) **U.S. Cl.**

USPC **D14/440**

(58) **Field of Classification Search**

USPC D14/440; 206/45.23, 320, 45.2;
361/679.55; 294/25; 224/218

CPC ... G06F 1/1628; G06F 1/1626; A47B 23/044;
H04B 1/3888; H05K 5/0217

See application file for complete search history.

(56) **References Cited**

U.S. PATENT DOCUMENTS

8,143,982 B1 3/2012 Lauder et al.
8,143,983 B1 3/2012 Lauder et al.
8,253,518 B2 8/2012 Lauder et al.
8,264,310 B2 9/2012 Lauder et al.
D668,660 S 10/2012 Norfolk
D668,661 S 10/2012 Norfolk

(Continued)

Primary Examiner — Cynthia R Underwood

(74) *Attorney, Agent, or Firm* — Dinsmore & Shohl LLP

(57) **CLAIM**

The ornamental design for a protective case, as shown and described.

FIG. 1 is a perspective view including a rear, bottom and opposite side of the protective case;

FIG. 2 is a perspective view including a front, top and one side of the protective case;

FIG. 3 is a plan view of the bottom of the protective case of FIG. 1;

FIG. 4 is a plan view of the top of the protective case of FIG. 1;

FIG. 5 is an elevational view of the opposite side of the protective case of FIG. 1;

FIG. 6 is an elevational view of the side of the protective case of FIG. 1;

FIG. 7 is an elevational view of the front of the protective case of FIG. 1;

FIG. 8 is an elevational view of the rear of the protective case of FIG. 1;

FIG. 9 is a perspective view including a rear, bottom and opposite side of the protective case including a clip;

FIG. 10 is a perspective view including a front, top and one side of the protective case including a clip;

FIG. 11 is a plan view of the bottom of the protective case of FIG. 9;

FIG. 12 is a plan view of the top of the protective case of FIG. 9;

FIG. 13 is an elevational view of the opposite side of the protective case of FIG. 9;

FIG. 14 is an elevational view of the side of the protective case of FIG. 9;

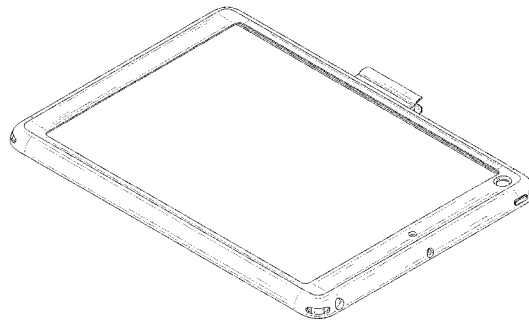
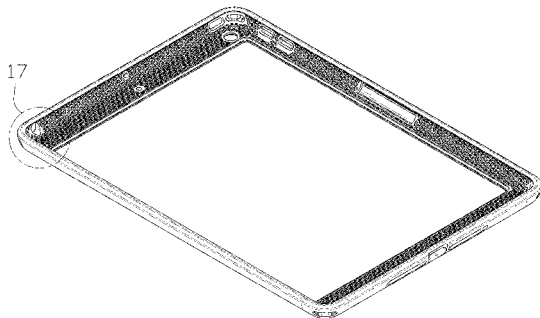
FIG. 15 is an elevational view of the front of the protective case of FIG. 9;

FIG. 16 is an elevational view of the rear of the protective case of FIG. 9; and,

FIG. 17 is an enlarged detail view of the encircled portion of FIG. 2.

The dot-dash broken lines in FIG. 2 delineate a portion of the claimed design that is shown on an enlarged scale in FIG. 17. The dot-dash broken lines form no part of the claimed design.

1 Claim, 17 Drawing Sheets



(56)

References Cited

U.S. PATENT DOCUMENTS

8,289,115 B2	10/2012	Cretella, Jr. et al.	D765,085 S *	8/2016	Moore	D14/440
8,328,008 B2	12/2012	Diebel et al.	D765,086 S	8/2016	Lee et al.	
8,344,836 B2	1/2013	Lauder et al.	D766,248 S	9/2016	Holladay et al.	
8,382,059 B2	2/2013	Le Gette et al.	D766,249 S	9/2016	Veltz et al.	
8,390,411 B2	3/2013	Lauder et al.	9,444,506 B2 *	9/2016	Lai	H04B 1/3888
8,390,412 B2	3/2013	Lauder et al.	D769,880 S	10/2016	Moore et al.	
8,393,464 B2	3/2013	Yang et al.	D770,458 S	11/2016	Corcoran et al.	
8,395,465 B2	3/2013	Lauder et al.	D772,881 S	11/2016	Chang et al.	
D680,120 S	4/2013	Cho et al.	D773,470 S	12/2016	Akana et al.	
D685,357 S *	7/2013	Rekuc	D775,132 S	12/2016	Smith et al.	
8,544,639 B2	10/2013	Yang et al.	D775,628 S	1/2017	Brown et al.	
8,576,031 B2	11/2013	Lauder et al.	D776,120 S	1/2017	Brown et al.	
8,624,695 B2	1/2014	Cretella, Jr. et al.	D776,122 S	1/2017	Akana et al.	
8,714,510 B2	5/2014	McCosh et al.	D776,123 S	1/2017	Akana et al.	
8,780,535 B2	7/2014	Mongan et al.	D777,727 S	1/2017	Maicon et al.	
8,899,415 B2	12/2014	McCosh et al.	9,538,675 B2	1/2017	Le Gette et al.	
8,960,421 B1	2/2015	Diebel	9,568,954 B2	2/2017	Lauder et al.	
8,960,634 B2	2/2015	Le Gette et al.	D781,278 S	3/2017	Kim et al.	
9,056,696 B1	6/2015	Reyes	D781,863 S *	3/2017	Lai	D14/440
9,225,377 B1	12/2015	Hart	D784,348 S	4/2017	Zhang	
9,259,076 B2	2/2016	Gayler	D784,350 S	4/2017	Li	
9,264,088 B2	2/2016	Wojcik et al.	D784,995 S	4/2017	Akana et al.	
9,267,638 B2	2/2016	Le Gette et al.	D785,636 S	5/2017	Oberpriller et al.	
D753,124 S	4/2016	Corcoran et al.	D785,637 S	5/2017	Hennings et al.	
D754,132 S	4/2016	Dahlberg	D786,256 S	5/2017	Stewart	
D754,133 S	4/2016	Chen et al.	D786,257 S	5/2017	Feldman	
D754,666 S	4/2016	Tiffen et al.	D786,881 S	5/2017	Stewart et al.	
9,316,344 B2	4/2016	Le Gette et al.	9,661,906 B2	5/2017	Diebel et al.	
D755,172 S	5/2016	Lee et al.	D789,936 S	6/2017	Nyholm	
D757,017 S	5/2016	Sirichai	D789,937 S	6/2017	Zhang	
D757,018 S	5/2016	Pearce	D790,550 S	6/2017	Chen	
D757,704 S *	5/2016	Roberts	9,680,518 B2	6/2017	Wojcik et al.	
D759,658 S *	6/2016	Lai	D795,264 S *	8/2017	Wright	D14/439
D761,263 S	7/2016	Brinkman et al.	D800,105 S *	10/2017	Roberts	D14/250
D762,218 S	7/2016	Sirichai	D800,133 S *	10/2017	Wright	D14/440
D762,219 S	7/2016	Armstrong et al.	D812,618 S *	3/2018	Altaras	D14/440
D762,651 S	8/2016	Edwards et al.	D812,619 S *	3/2018	Altaras	D14/440
D763,264 S	8/2016	Smith et al.	D819,644 S *	6/2018	Wright	D14/440
D763,853 S	8/2016	Pearce	2012/0284124 A1	11/2012	Harangozo et al.	
D763,854 S	8/2016	Domke et al.	2012/0315972 A1	12/2012	Olson et al.	
D763,855 S	8/2016	Poon et al.	2014/0117061 A1	5/2014	Hadi	
D763,856 S	8/2016	Moore	2014/0191034 A1	7/2014	Glanzer et al.	
D764,472 S	8/2016	Corcoran et al.	2014/0235963 A1	8/2014	Edwards et al.	
D764,474 S	8/2016	Penn	2015/0137734 A1	5/2015	Wojcik et al.	
D764,475 S	8/2016	Penn	2015/0365120 A1	12/2015	Wojcik et al.	
			2016/0084614 A1	3/2016	Ellingson	
			2016/0119013 A1	4/2016	Wojcik et al.	

* cited by examiner

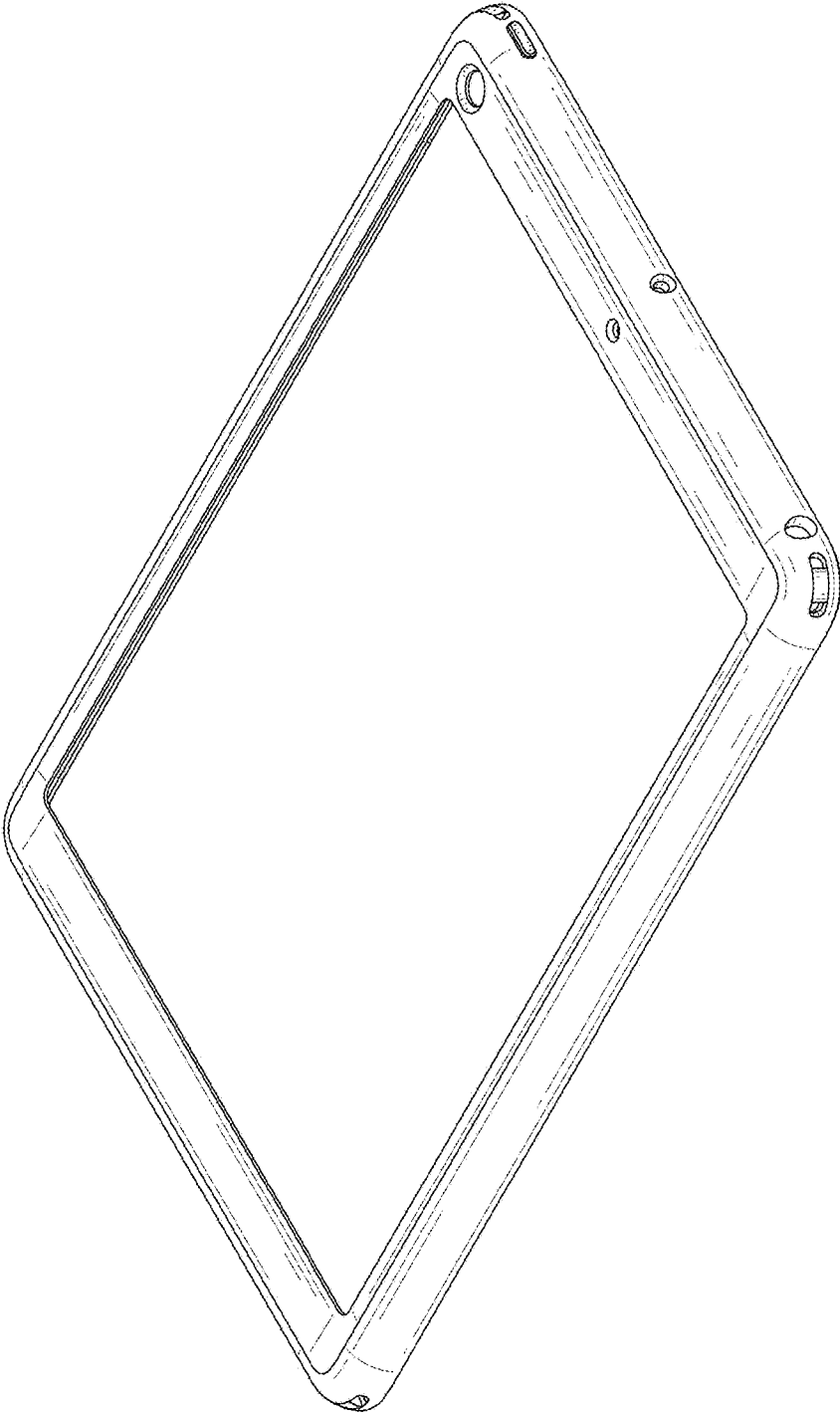


FIG. 1

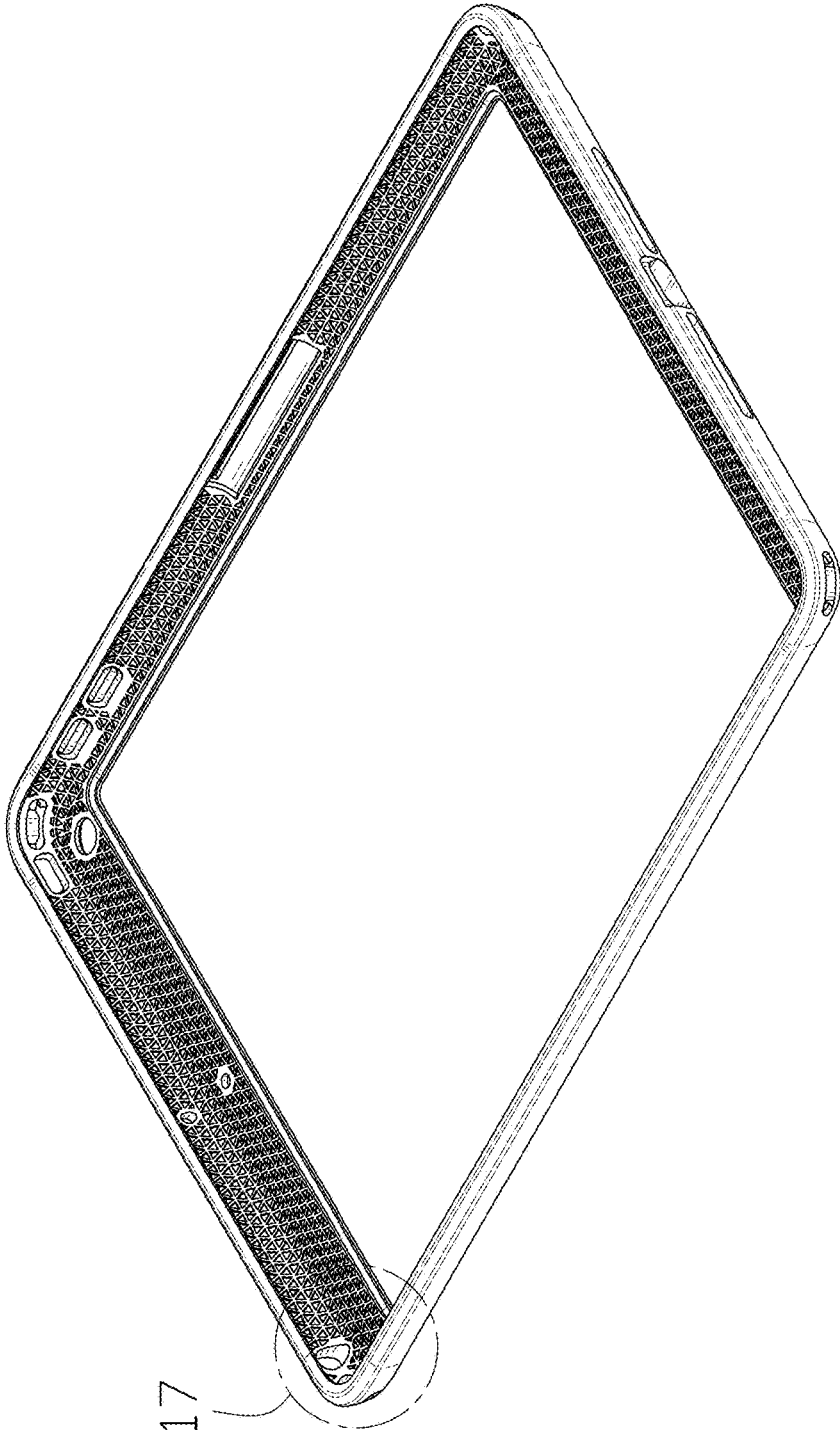


FIG. 2

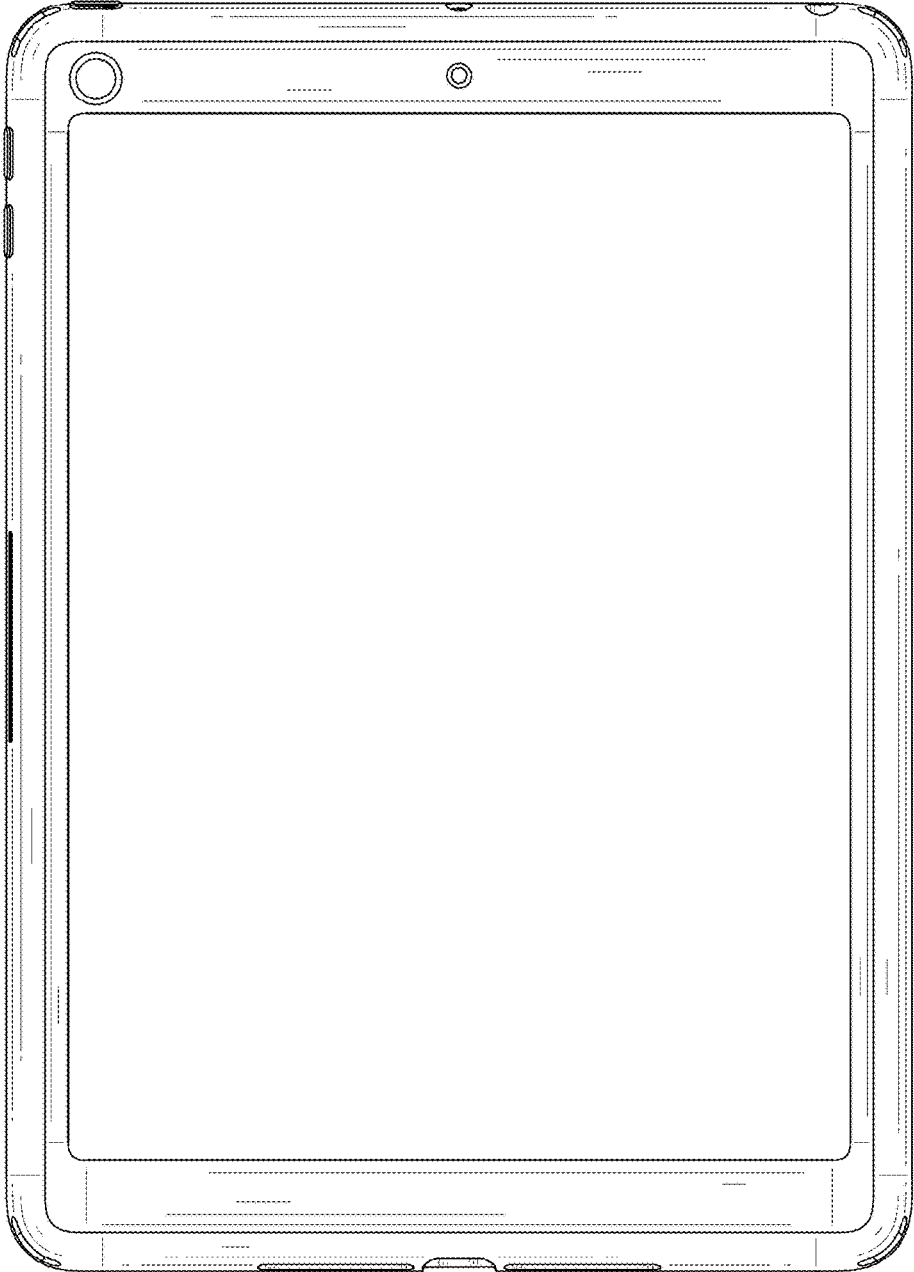


FIG. 3

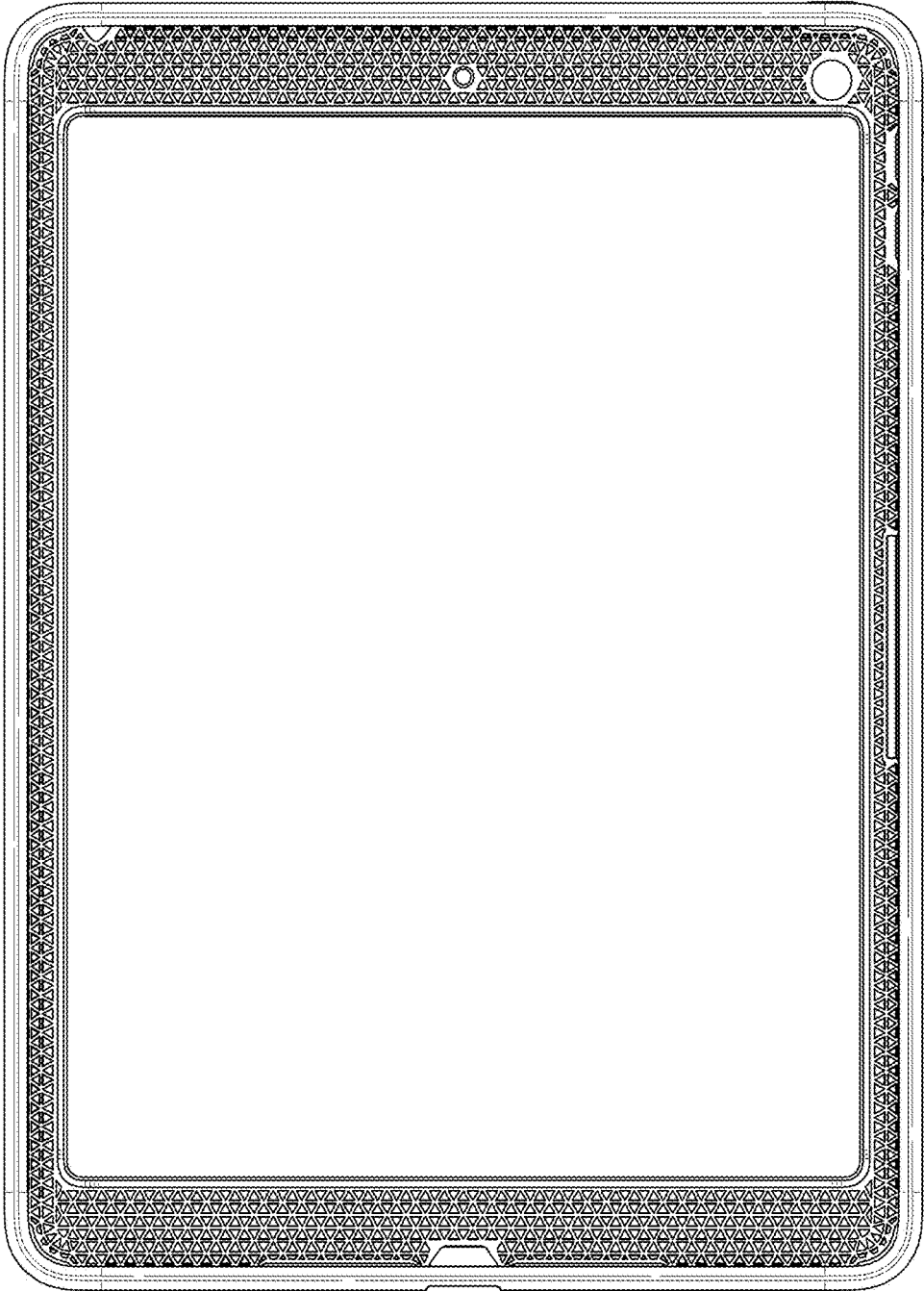


FIG. 4



FIG. 5

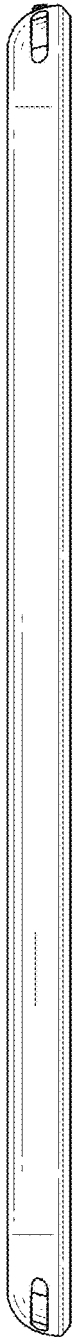


FIG. 6

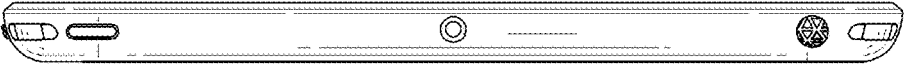


FIG. 7

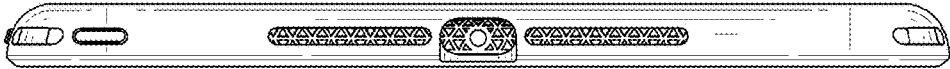


FIG. 8

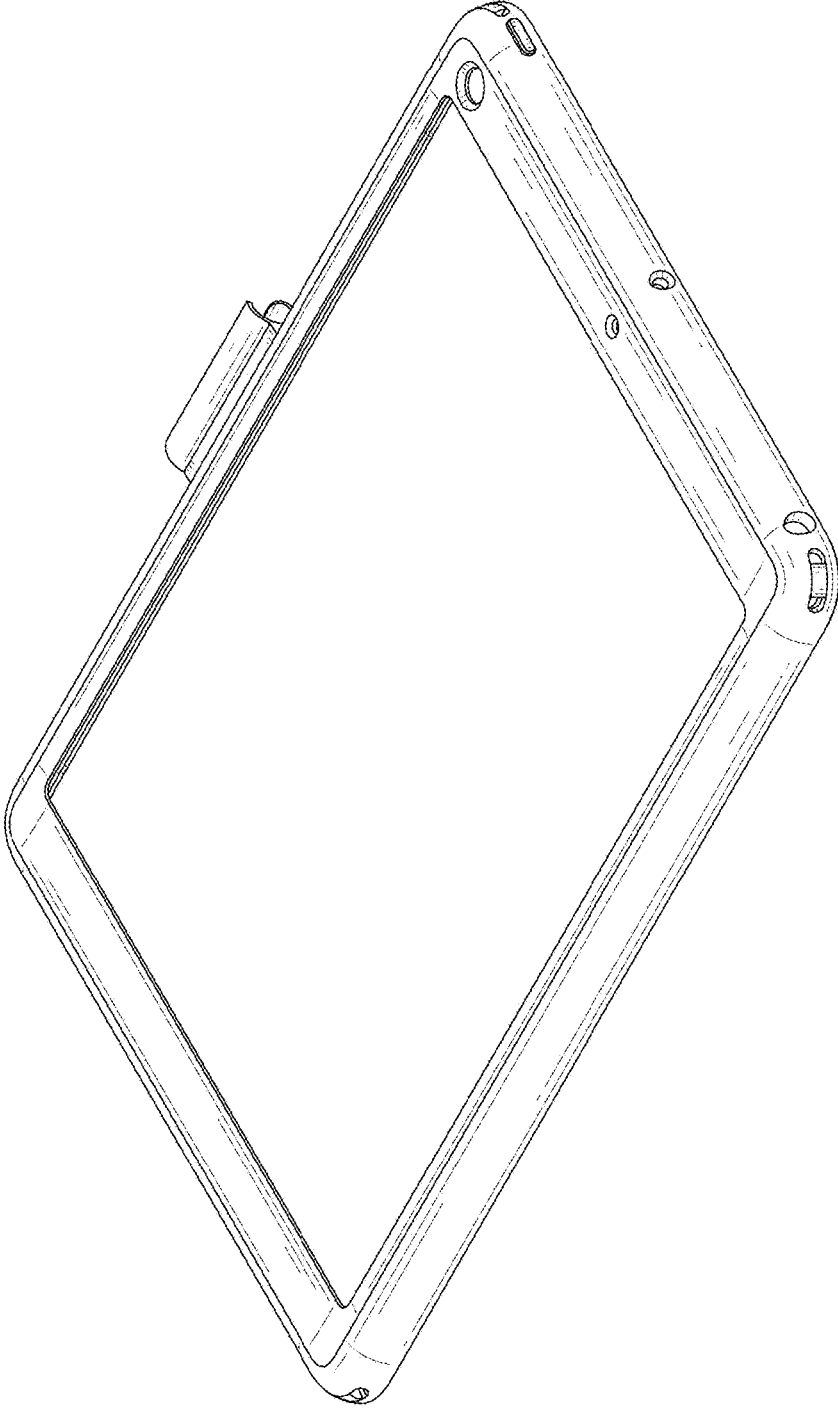


FIG. 9

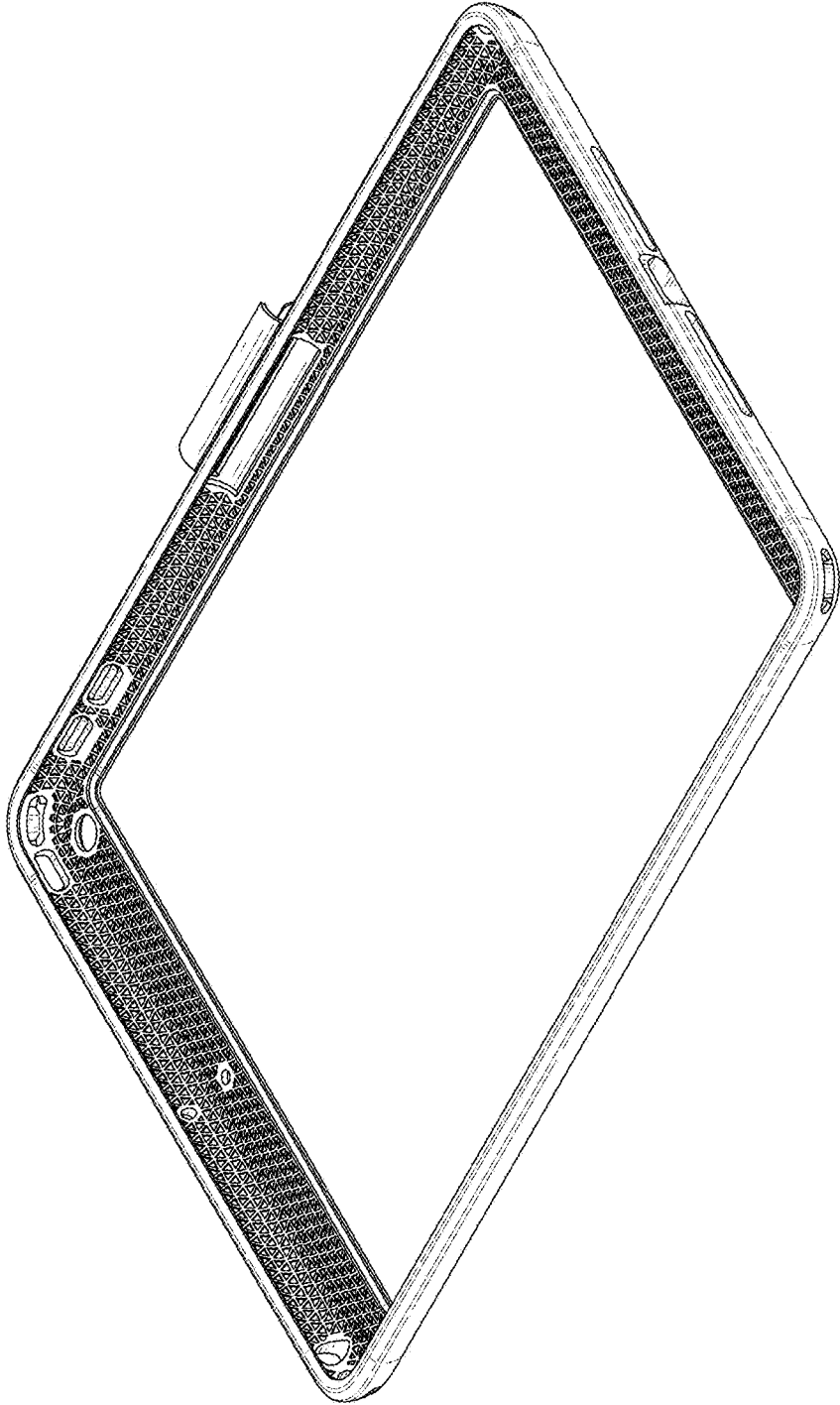


FIG. 10

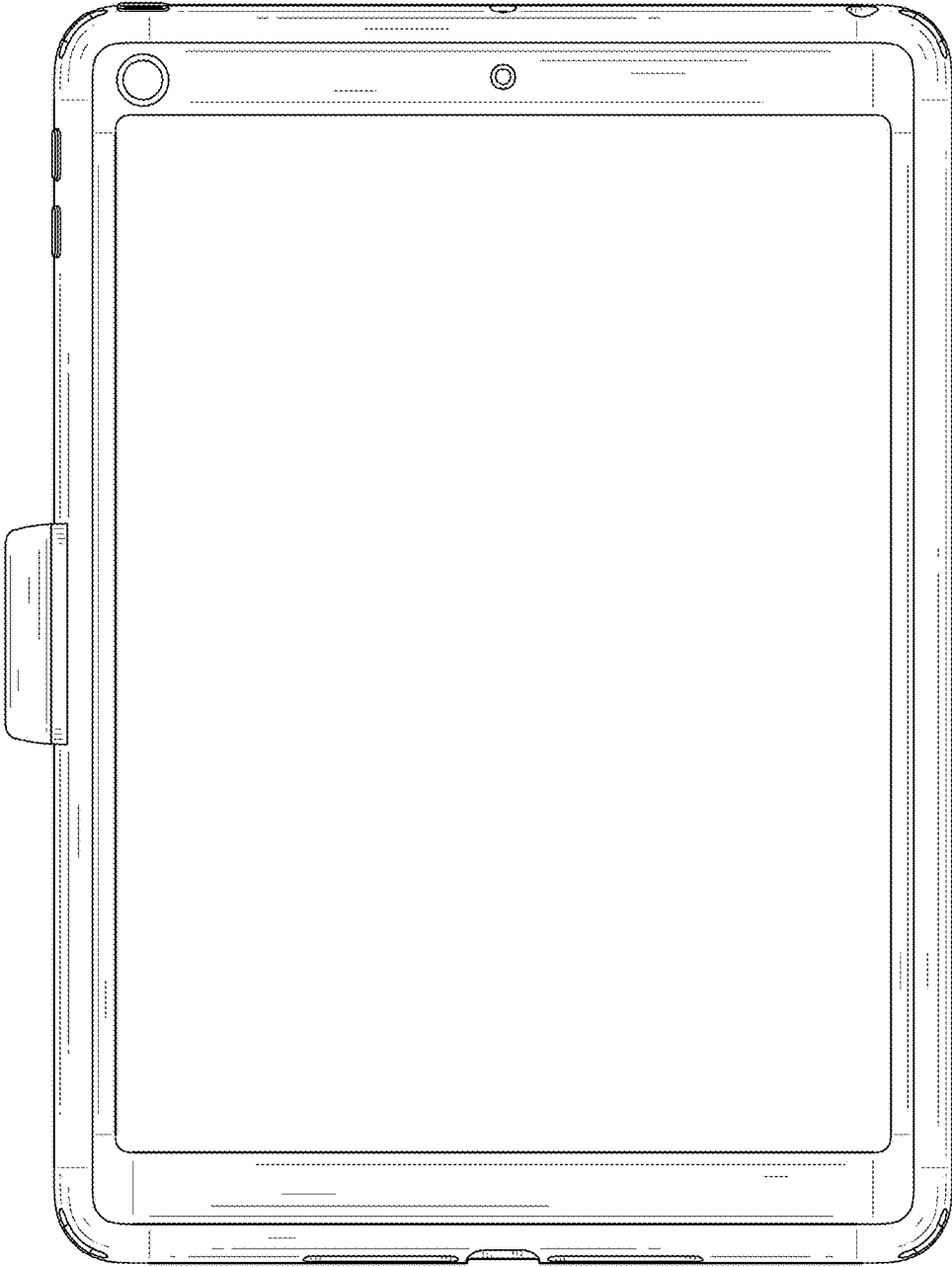


FIG. 11

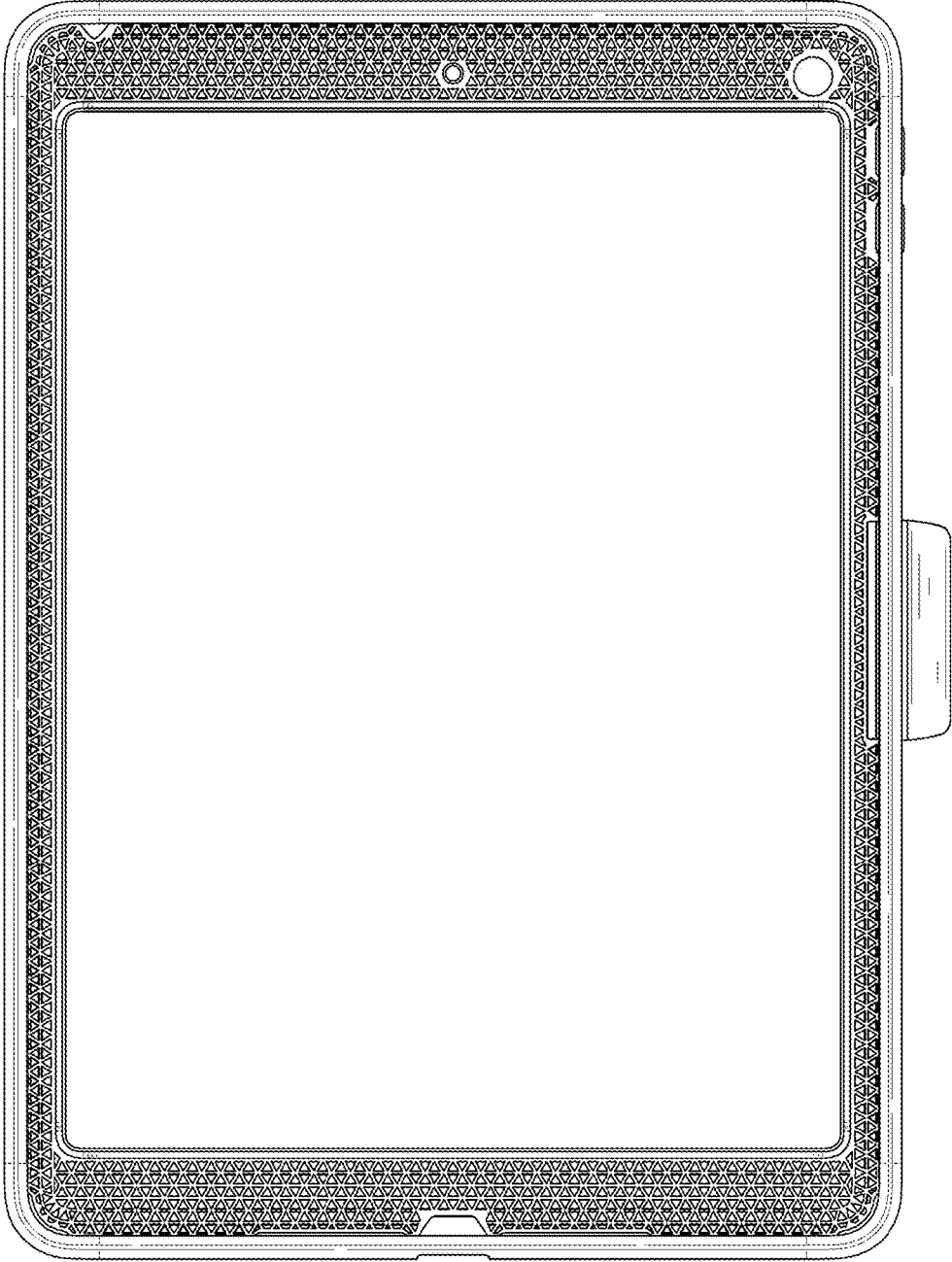


FIG. 12

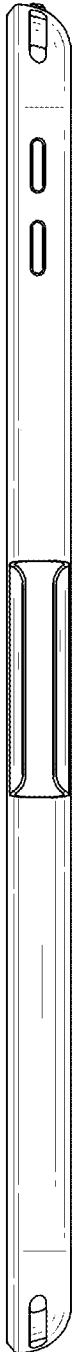


FIG. 13

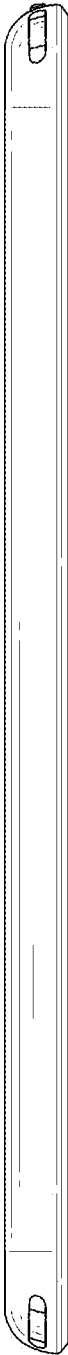


FIG. 14



FIG. 15



FIG. 16

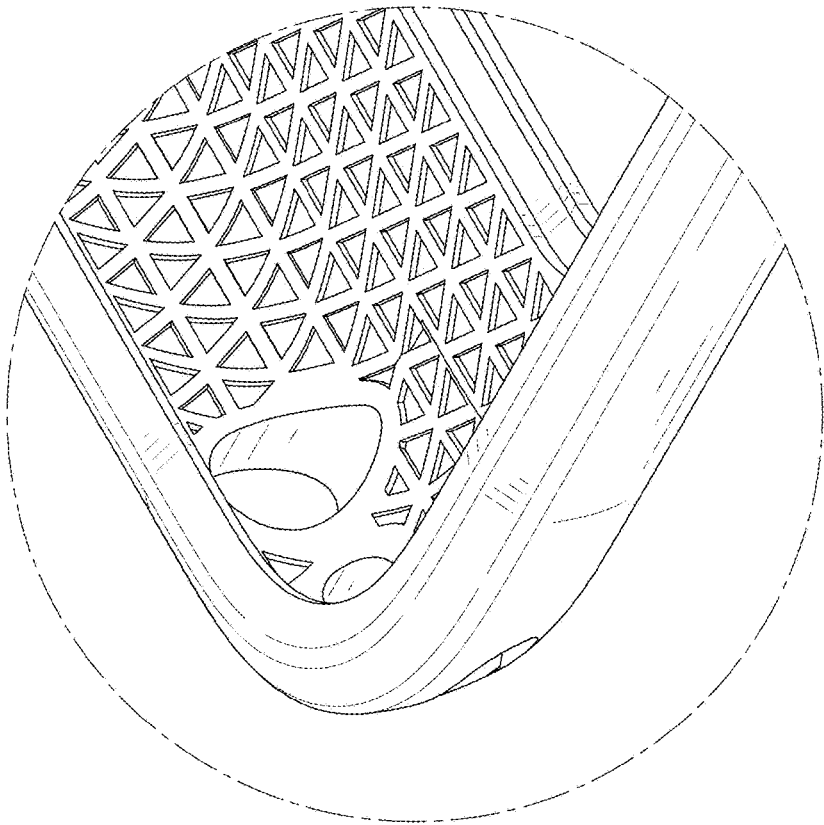


FIG. 17