



US00D828406S

(12) **United States Design Patent**  
**van der Zande**

(10) **Patent No.:** **US D828,406 S**

(45) **Date of Patent:** **\*\* Sep. 11, 2018**

(54) **LOADER**

(71) Applicant: **TOINE BROCK**  
**CONSTRUCTIE/MECHANISATIE**  
**B.V., Oisterwijk (NL)**

(72) Inventor: **Edwin van der Zande, Oisterwijk (NL)**

(\*\*) Term: **15 Years**

(21) Appl. No.: **35/501,969**

(22) Filed: **Feb. 5, 2016**

(80) **Hague Agreement Data**

Int. Filing Date: **Feb. 5, 2016**

Int. Reg. No.: **DM/093479**

Int. Reg. Date: **Feb. 5, 2016**

Int. Reg. Pub. Date: **Nov. 25, 2016**

(30) **Foreign Application Priority Data**

Aug. 5, 2015 (EM) ..... 002749648-0001

Aug. 5, 2015 (EM) ..... 002749648-0002

(51) **LOC (11) CL.** ..... **12-05**

(52) **U.S. Cl.**  
USPC ..... **D15/23**  
CPC ..... **E02F 9/0841** (2013.01)

(58) **Field of Classification Search**  
USPC ..... D15/10, 22-26, 33; D21/431; 37/409,  
37/442, 443; 180/89.1-89.13;  
296/190.03; 414/685, 694, 722, 724  
CPC ..... E02F 9/0841; E02F 3/3411; E02F 3/76;  
E02F 3/34; E02F 3/00; E02F 7/00; B62D  
21/186; B62D 53/028

See application file for complete search history.

(56) **References Cited**

**U.S. PATENT DOCUMENTS**

D364,408	S	*	11/1995	Bryant	.....	D15/25
D405,807	S	*	2/1999	Amy	.....	D15/25
D604,748	S	*	11/2009	Schmidt	.....	D15/23
D609,723	S	*	2/2010	Schmidt	.....	D15/23
D610,168	S	*	2/2010	Schmidt	.....	D15/23
D610,171	S	*	2/2010	Schmidt	.....	D15/23
D682,888	S	*	5/2013	Iwata	.....	D15/25
D682,890	S	*	5/2013	Iwata	.....	D15/25
D705,273	S	*	5/2014	Furuki	.....	D15/25
D708,232	S	*	7/2014	Furuki	.....	D15/23
D756,420	S	*	5/2016	Okuyama	.....	D15/23
D758,457	S	*	6/2016	Okuyama	.....	D15/23
2010/0098522	A1	*	4/2010	Shioji	.....	E02F 3/3411 414/722
2015/0361636	A1	*	12/2015	Yoshizawa	.....	B60K 6/445 701/50

\* cited by examiner

*Primary Examiner* — Richard E Chilcot

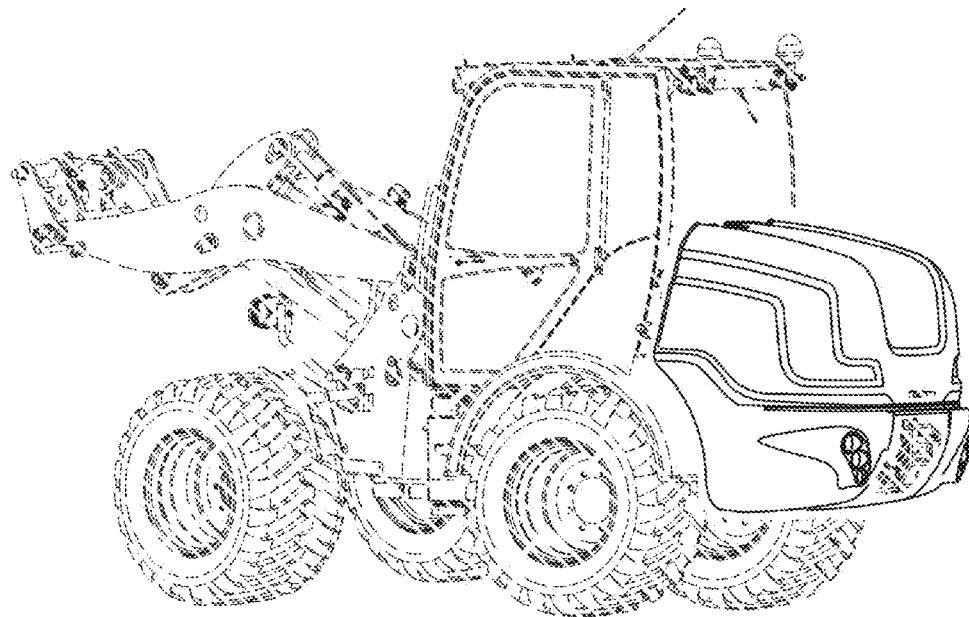
(57) **CLAIM**

The ornamental design for a loader, as shown and described.

**DESCRIPTION**

1. Loader  
Figure 1.2 is a side view of a part of a loader showing our new design.  
Figure 1.3 is a rear view of a part thereof.  
Figure 1.4 is a rear perspective view thereof.  
The broken lines showing parts of the tractor are included for the purpose of illustrating portions of the tractor and form no part of the claimed design.

**1 Claim, 3 Drawing Sheets**



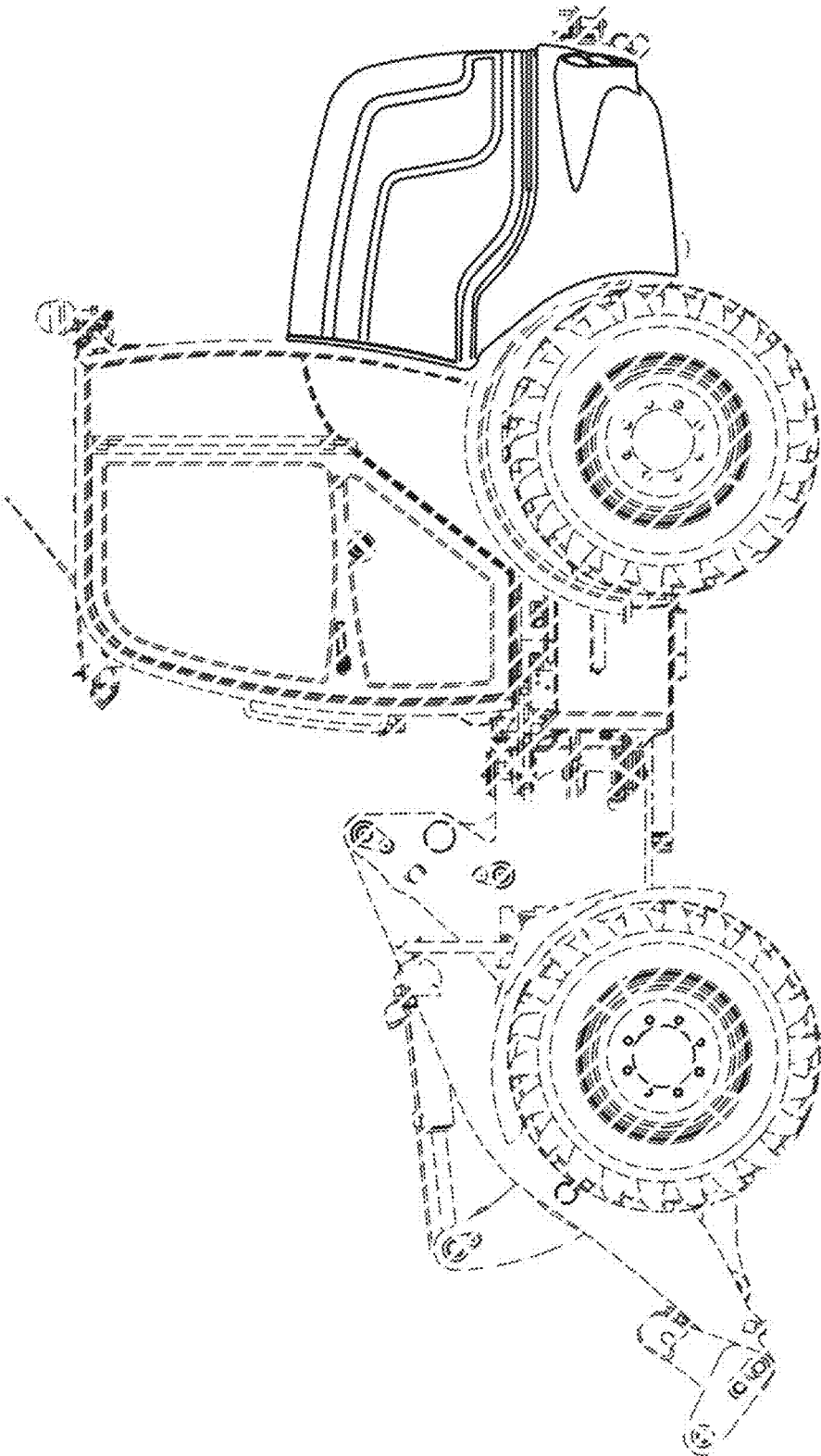


FIG. 1.2

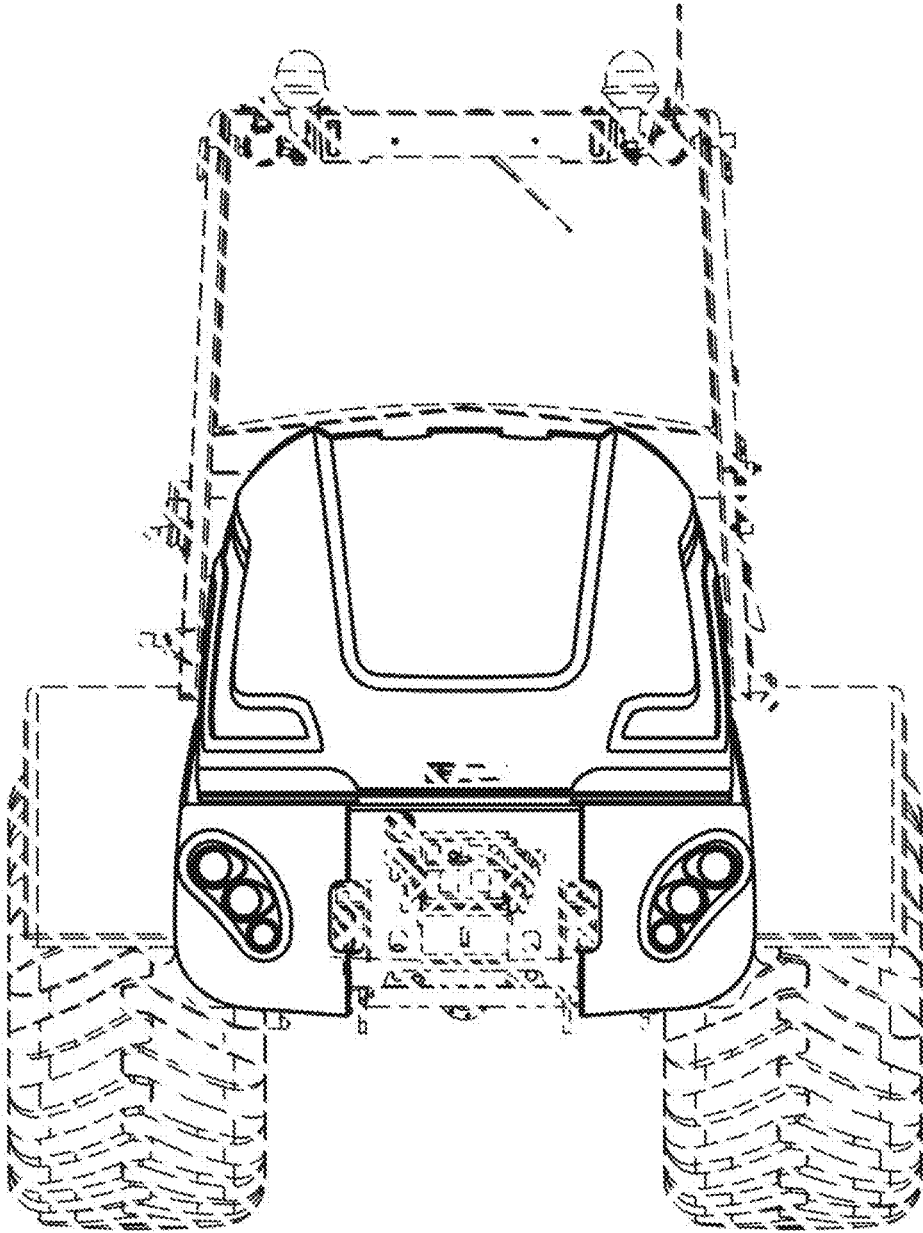


FIG. 1.3

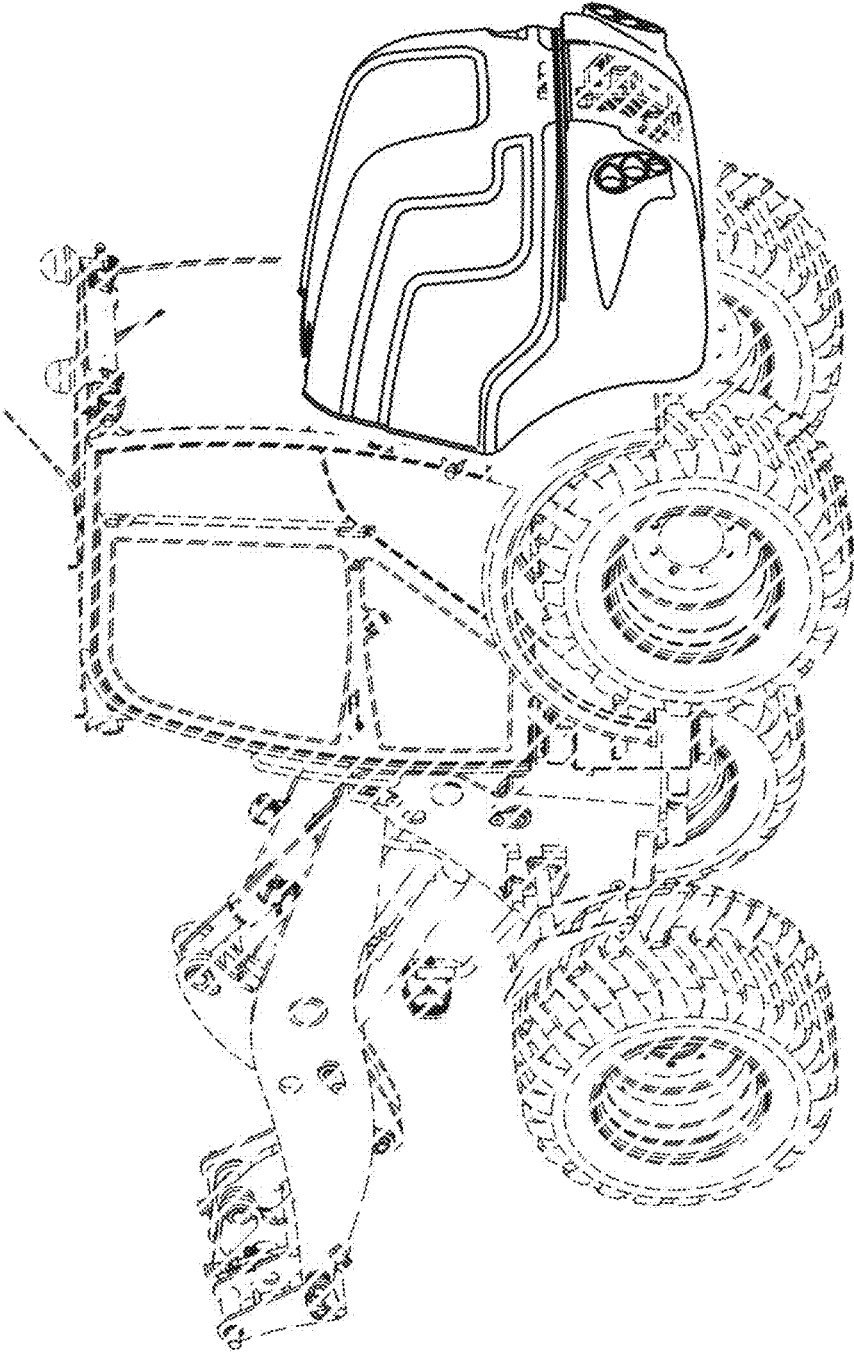


FIG. 1.4