



US00D916490S

(12) **United States Design Patent**
Tu

(10) **Patent No.:** **US D916,490 S**

(45) **Date of Patent:** **** Apr. 20, 2021**

(54) **TOWEL RING**

(56) **References Cited**

(71) Applicant: **WENZHOU GOLDEN CAMEL
HOUSEHOLD PRODUCTS CO.,
LTD.**, Wenzhou (CN)

U.S. PATENT DOCUMENTS

(72) Inventor: **Silian Tu**, Wenzhou (CN)

D439,779 S *	4/2001	Wu	D6/523
D454,456 S *	3/2002	Meck	D6/523
D460,650 S *	7/2002	Snell	D6/522
D461,082 S *	8/2002	Snell	D6/522
D521,293 S *	5/2006	Solowiej	D6/546
D521,294 S *	5/2006	Ferrer Beltran	D6/546
D522,296 S	6/2006	Solowiej	
D663,984 S	7/2012	Fritz et al.	
D788,489 S	6/2017	Goodman et al.	

(73) Assignee: **WENZHOU GOLDEN CAMEL
HOUSEHOLD PRODUCTS CO.,
LTD.**, Wenzhou (CN)

(**) Term: **15 Years**

* cited by examiner

(21) Appl. No.: **29/744,559**

Primary Examiner — Mark Booker

(22) Filed: **Jul. 29, 2020**

(57) **CLAIM**

(51) **LOC (13) Cl.** **23-02**

The ornamental design for a towel ring, as shown and described.

(52) **U.S. Cl.**
USPC **D6/522**

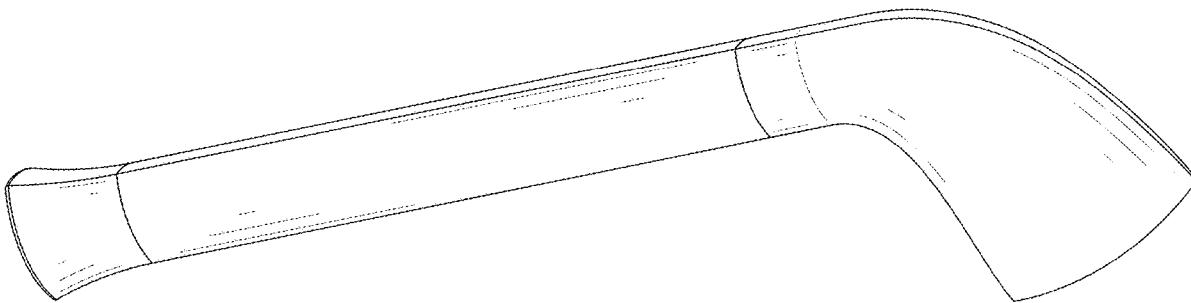
DESCRIPTION

(58) **Field of Classification Search**
USPC D6/520, 546, 548, 521, 519, 524,
D6/528-531, 550, 552, 523, 522;
206/361, 362, 362.1, 362.2, 362.3, 389,
206/391; 211/13.1, 45, 59.1, 60.1, 65,
211/66, 70.6, 89.01; 242/570, 590,
242/595-598; 248/49, 175, 176.1, 200,
248/201, 205.1, 251, 302, 309.1, 309.2,
248/315
CPC A47K 10/04; A47K 10/02; A47K 10/10;
A47K 10/3836; A47K 2010/324; A47K
2010/389; B08B 1/006

FIG. 1 is a perspective view of a towel ring showing my new design;
FIG. 2 is another perspective view thereof;
FIG. 3 is a front elevational view thereof;
FIG. 4 is a rear elevational view thereof;
FIG. 5 is a left side elevational view thereof;
FIG. 6 is a right side elevational view thereof;
FIG. 7 is a top plan view thereof; and,
FIG. 8 is a bottom plan view thereof.
The broken lines in the drawings depict portions of the towel ring that form no part of the claimed design.

See application file for complete search history.

1 Claim, 8 Drawing Sheets



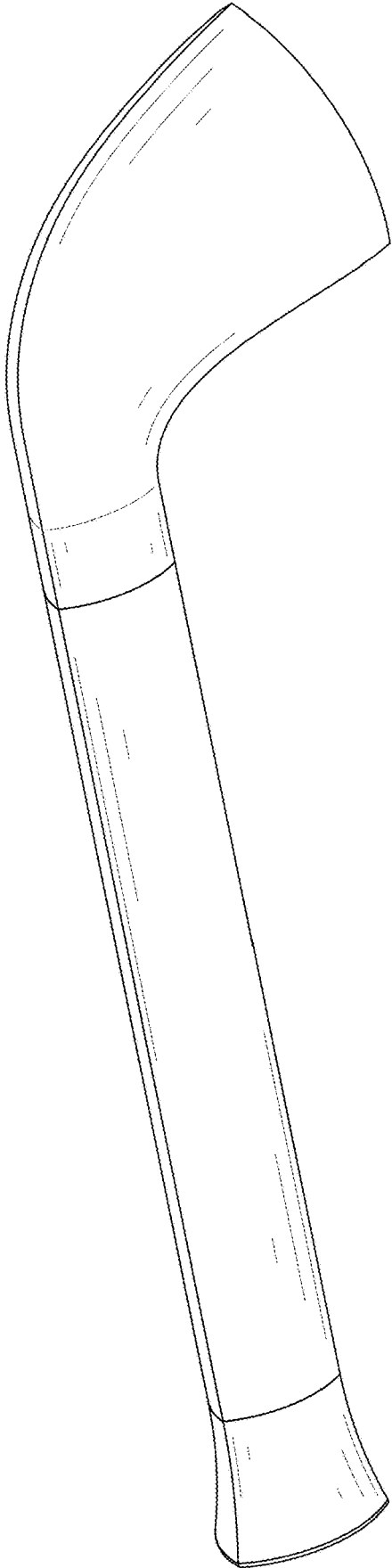


FIG. 1

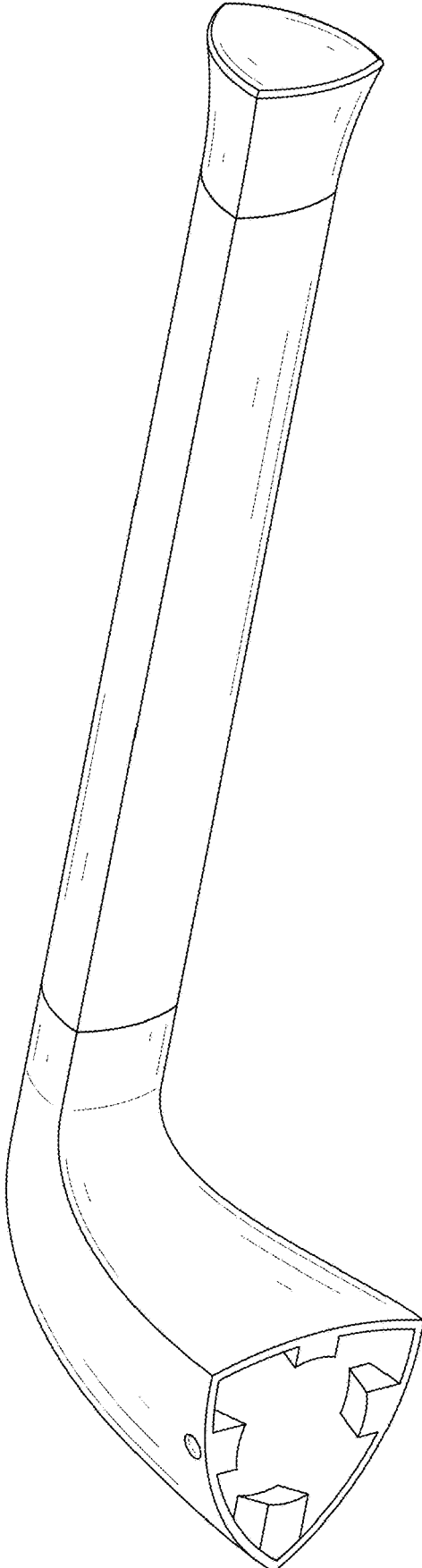


FIG. 2

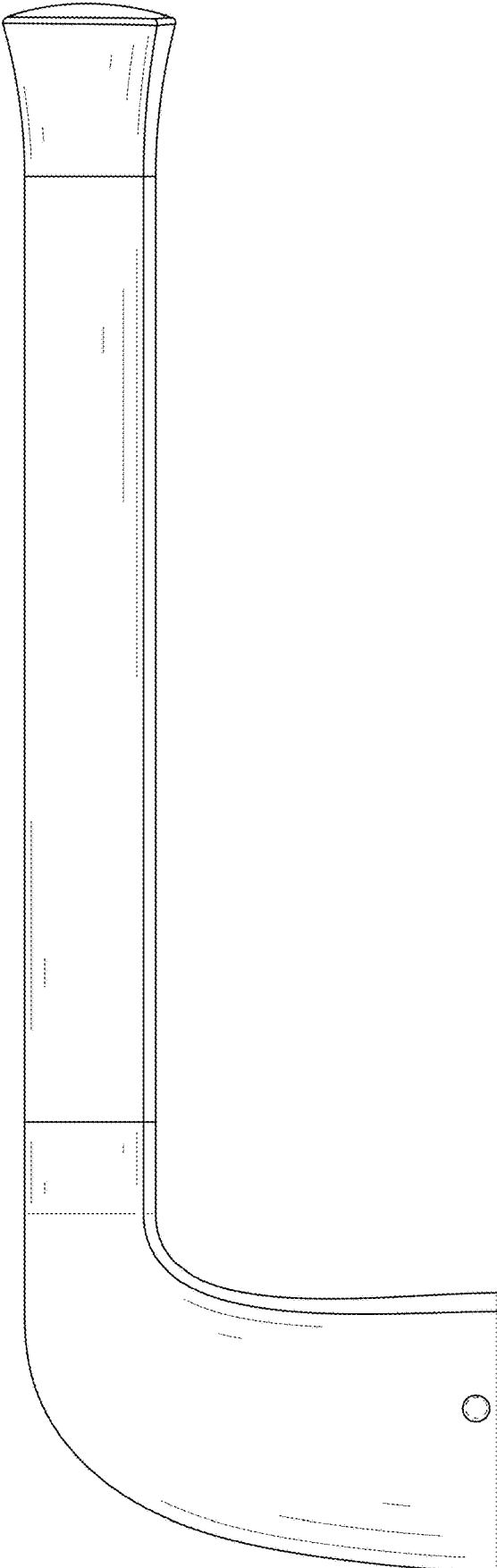


FIG. 3

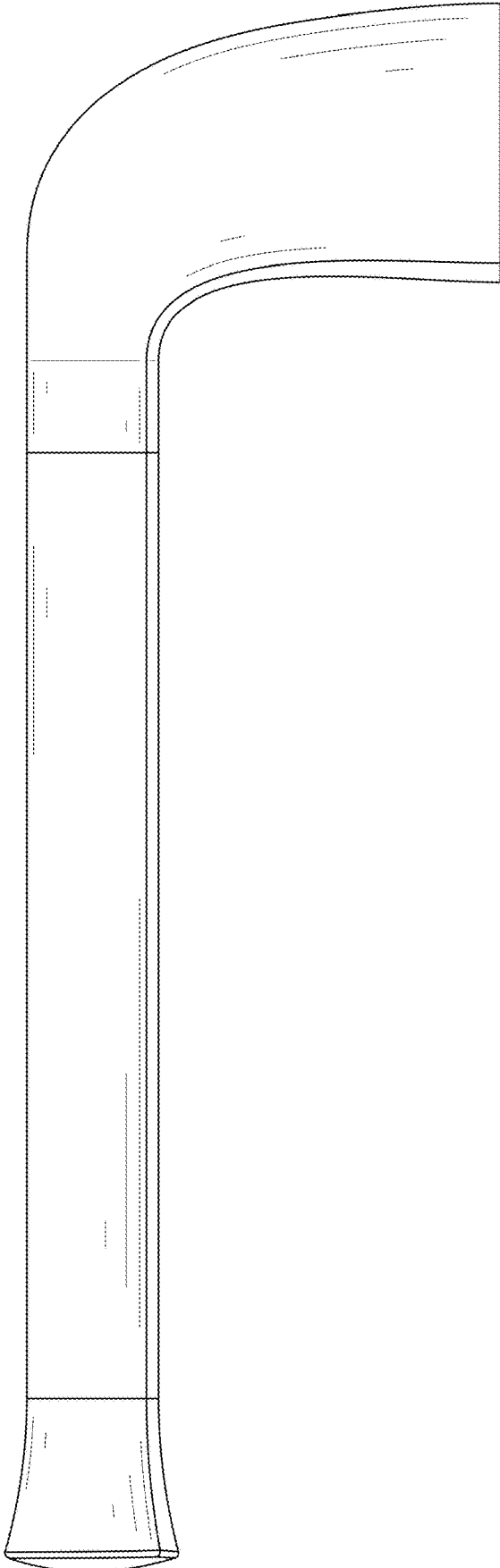


FIG. 4

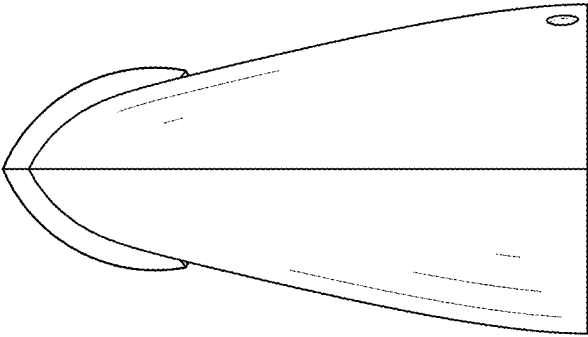


FIG. 5

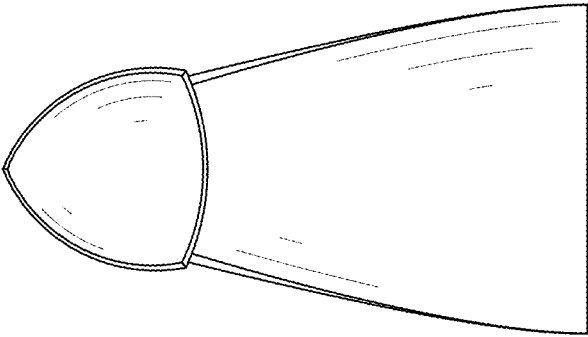


FIG. 6

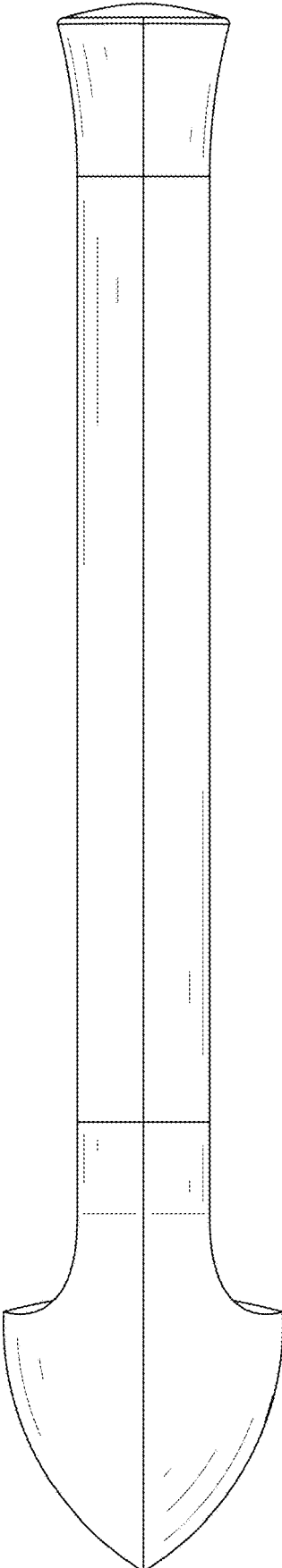


FIG. 7

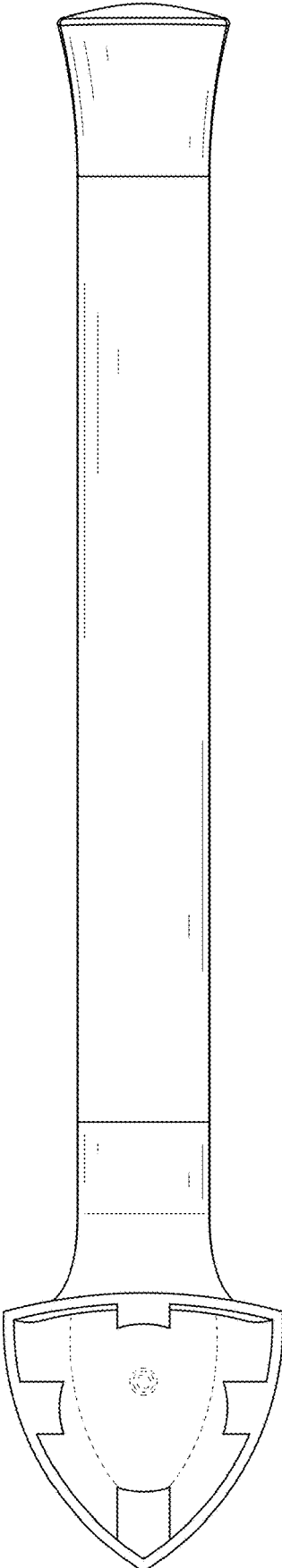


FIG. 8