



US0D1002192S

(12) **United States Design Patent**  
**Wang**

(10) **Patent No.:** **US D1,002,192 S**

(45) **Date of Patent:** **\*\* Oct. 24, 2023**

(54) **METAL WALLET**

(71) Applicant: **Yujiao Wang**, Guangdong (CN)

(72) Inventor: **Yujiao Wang**, Guangdong (CN)

(\*\*) Term: **15 Years**

(21) Appl. No.: **29/894,515**

(22) Filed: **Jun. 9, 2023**

(30) **Foreign Application Priority Data**

Jun. 2, 2023 (EM) ..... 015023339-0002

(51) **LOC (14) Cl.** ..... **03-01**

(52) **U.S. Cl.**

USPC ..... **D3/247**

(58) **Field of Classification Search**

USPC ..... D3/247-253

CPC ..... A45C 11/18; A45C 11/00; A45C 11/182;

A45C 13/00; A45C 13/02; A45C 13/30;

A45C 1/06; A45C 1/04; A45C 1/024;

A45C 3/06; A45C 3/08; A45C 2001/067;

A45C 2001/065; A45C 2001/186; A45F

5/00; A45F 5/021

See application file for complete search history.

(56) **References Cited**

**U.S. PATENT DOCUMENTS**

D649,149	S	*	11/2011	Peng	.....	D14/315
D798,591	S		10/2017	King	.....	
D877,513	S	*	3/2020	Duncan	.....	D11/78.1
D884,339	S	*	5/2020	Li	.....	D20/27
D934,560	S		11/2021	Tran et al.	.....	
D956,415	S	*	7/2022	Tran	.....	D3/247
11,457,704	B2	*	10/2022	Hoffman	.....	A45C 1/06
D977,831	S	*	2/2023	Zeng	.....	D3/247
D991,676	S	*	7/2023	Feng	.....	D3/247
2008/0272191	A1	*	11/2008	Yen	.....	G06K 19/07741
					.....	235/380
2019/0008253	A1	*	1/2019	Deng	.....	A45C 11/182
2019/0269213	A1	*	9/2019	Deng	.....	A45C 11/182

2020/0337426	A1	*	10/2020	Huang	.....	A45C 13/00
2022/0400823	A1	*	12/2022	Clarete	.....	A45C 1/06
2023/0136219	A1	*	5/2023	Zhang	.....	A45C 1/06
					.....	150/131

**FOREIGN PATENT DOCUMENTS**

CN	307721144	*	12/2022
CN	307843628	*	2/2023

**OTHER PUBLICATIONS**

Minimalist Wallet for Men (Berxdoeti), available no later than Aug. 15, 2022 based on customer photo review, amazon.com [online], [site visited Jul. 24, 2023], Available at URL: <https://www.amazon.com/dp/B0B5M6KMNG/?th=1> (Year: 2022).\*

(Continued)

*Primary Examiner* — Michelle E. Wilson

*Assistant Examiner* — Caitlin A Laverty

(74) *Attorney, Agent, or Firm* — Kunzler Bean & Adamson, PC; Alandra Adams

(57)

**CLAIM**

The ornamental design for a metal wallet, as shown and described.

**DESCRIPTION**

FIG. 1 is a front, right and top perspective view of a metal wallet, showing my design.

FIG. 2 is a rear, left and bottom perspective view thereof.

FIG. 3 is a front elevation view thereof.

FIG. 4 is a rear elevation view thereof.

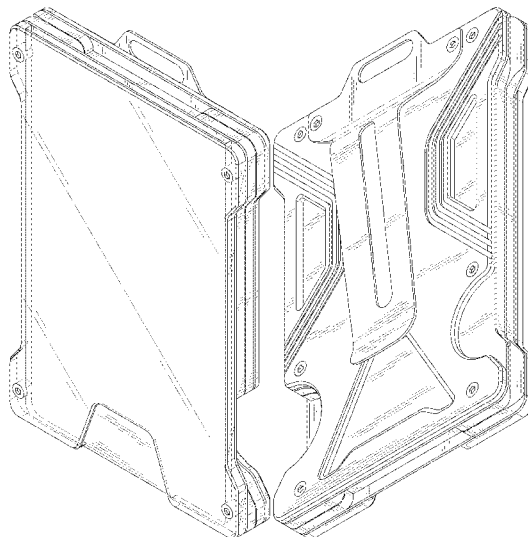
FIG. 5 is a left side elevation view thereof.

FIG. 6 is a right side elevation view thereof.

FIG. 7 is a top plan view thereof; and,

FIG. 8 is a bottom plan view thereof.

**1 Claim, 8 Drawing Sheets**



(56)

**References Cited**

OTHER PUBLICATIONS

Minimalist Wallet for Men (Oaridey Store), available no later than Sep. 13, 2022 based on customer photo review, amazon.com [online], [site visited Jul. 24, 2023], Available at URL: <https://www.amazon.com/dp/B0B8WHRPJH/?th=1> (Year: 2022).\*

Dayree Minimalist Wallet for Men, available no later than Feb. 3, 2023 based on customer photo review, amazon.com [online], [site visited Jul. 24, 2023], Available at URL: <https://www.amazon.com/dp/B0BRK4N9NT/?th=1> (Year: 2023).\*

\* cited by examiner

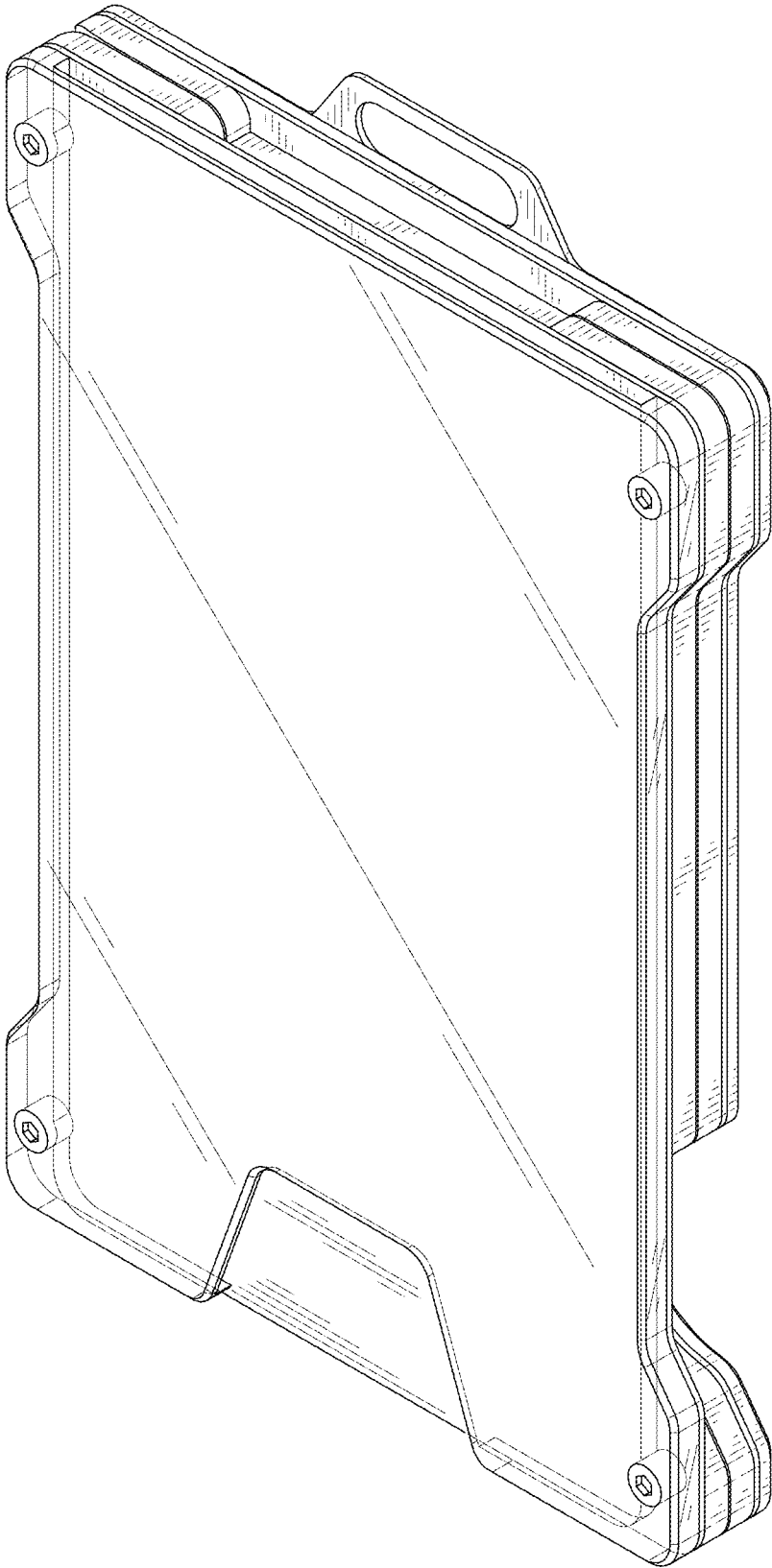


FIG. 1

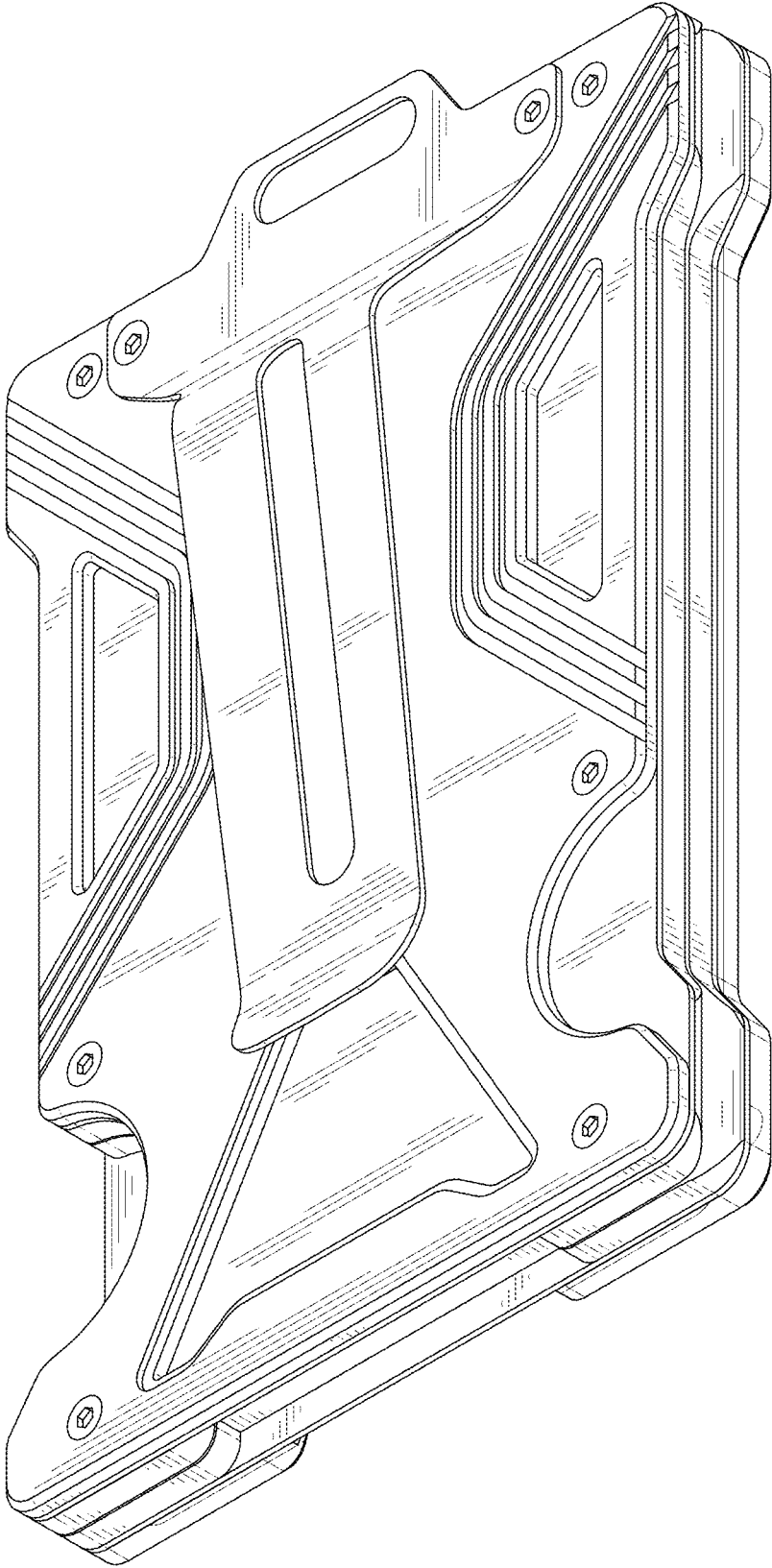


FIG. 2

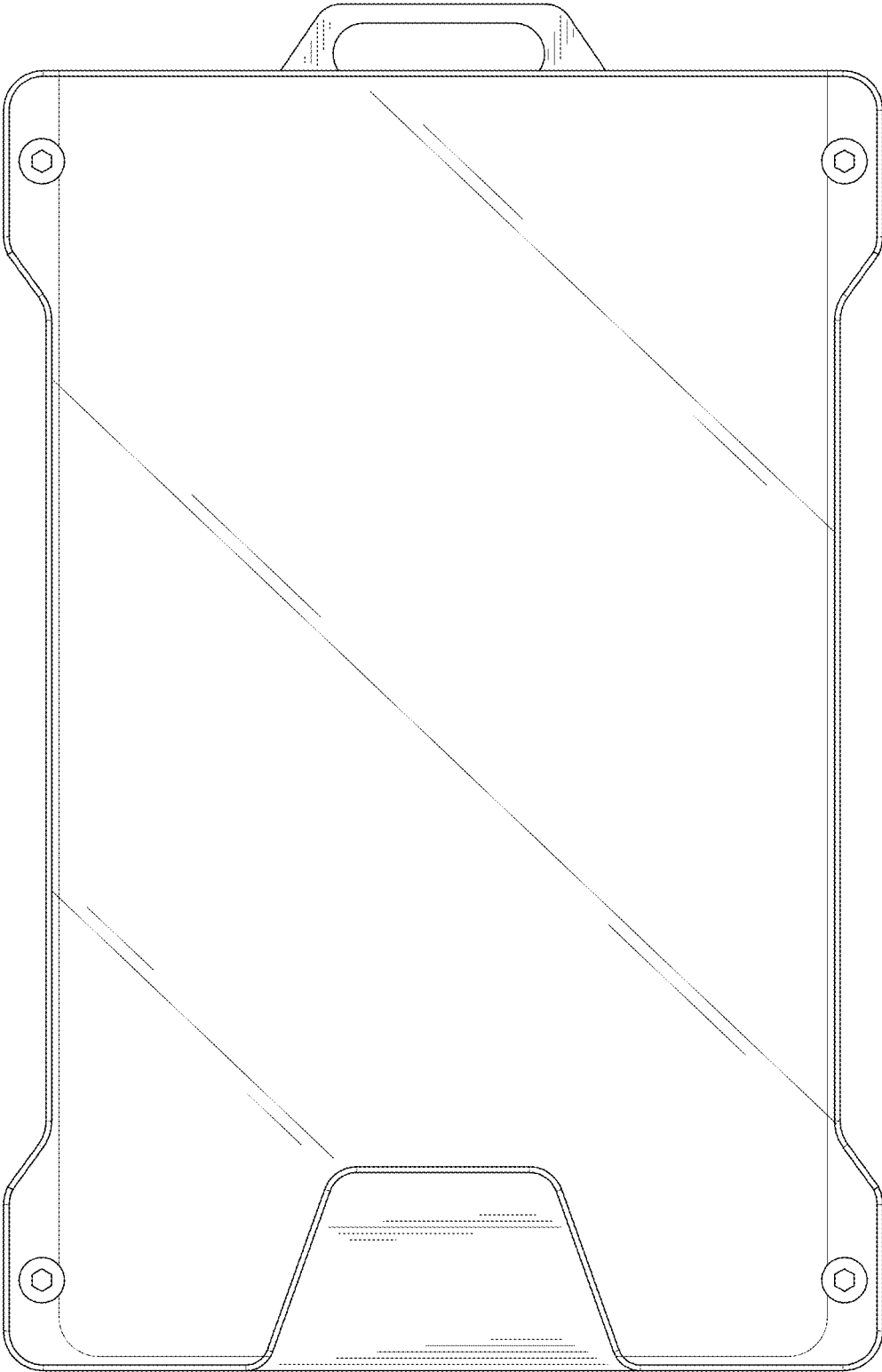


FIG. 3

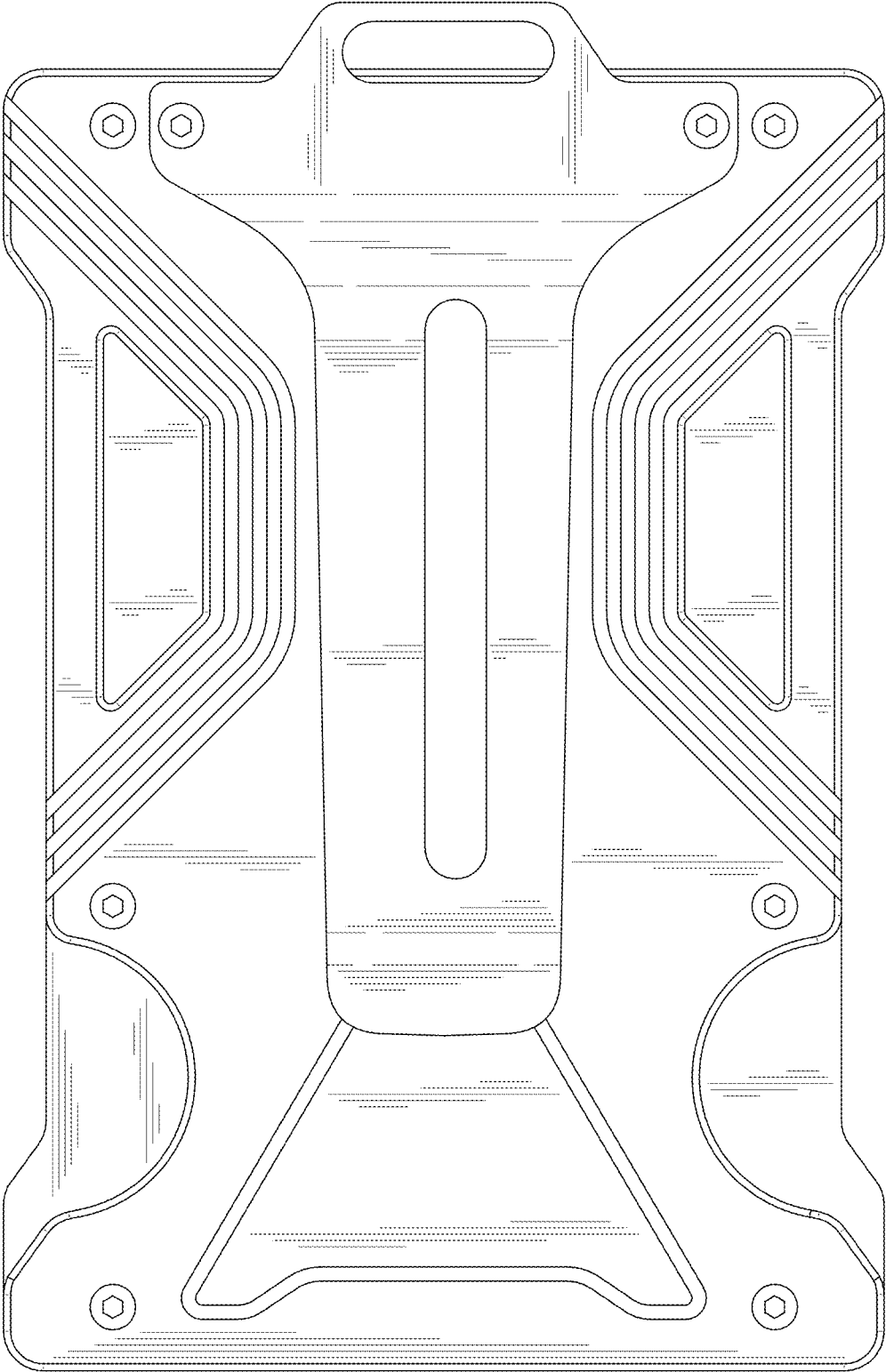


FIG. 4

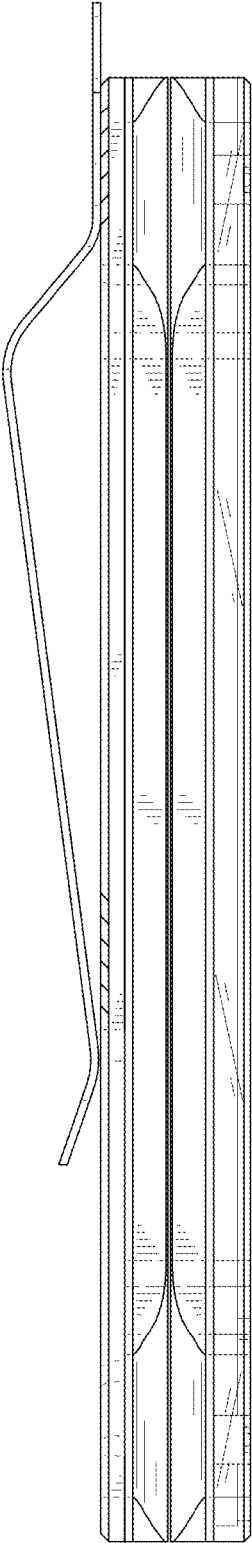


FIG. 5

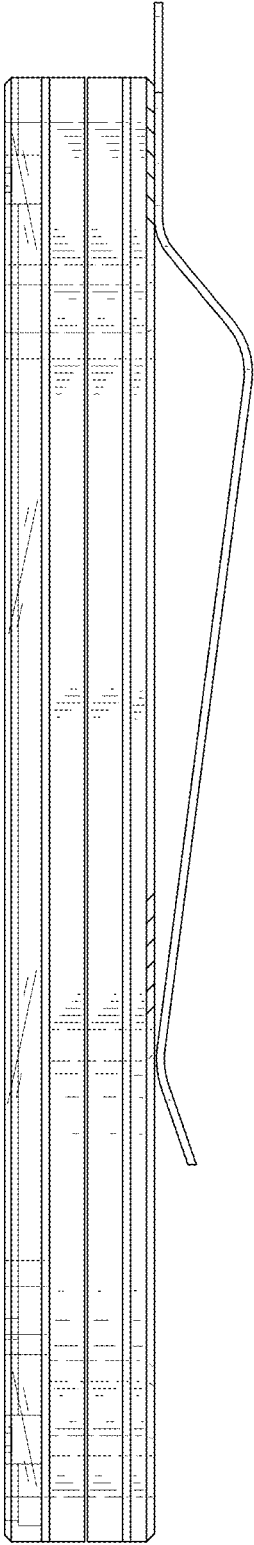


FIG. 6



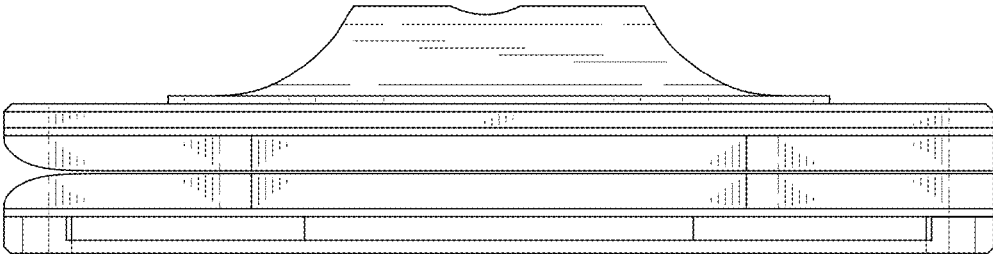


FIG. 7

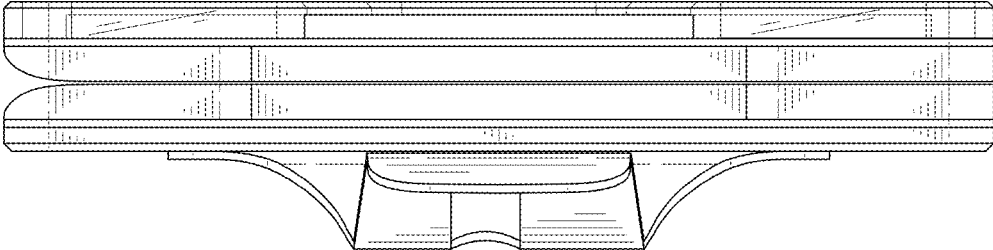


FIG. 8