



US00D845524S

(12) **United States Design Patent** (10) **Patent No.:** **US D845,524 S**  
**Lee et al.** (45) **Date of Patent:** **\*\* Apr. 9, 2019**

(54) **REAR COMBINATION LAMP FOR AN AUTOMOBILE**

(71) Applicants: **HYUNDAI MOTOR COMPANY**, Seoul (KR); **KIA MOTORS CORPORATION**, Seoul (KR)

(72) Inventors: **Sang Min Lee**, Seoul (KR); **Seo Hee Ahn**, Yongin-si (KR)

(73) Assignees: **Hyundai Motor Company**, Seoul (KR); **Kia Motors Corporation**, Seoul (KR)

(\*\*) Term: **15 Years**

(21) Appl. No.: **35/504,489**

(22) Filed: **Aug. 18, 2017**

(80) **Hague Agreement Data**

Int. Filing Date: **Aug. 18, 2017**

Int. Reg. No.: **DM/097407**

Int. Reg. Date: **Aug. 18, 2017**

Int. Reg. Pub. Date: **Feb. 23, 2018**

(30) **Foreign Application Priority Data**

May 31, 2017 (KR) ..... 30-2017-0024610

(51) **LOC (11) Cl.** ..... **26-06**

(52) **U.S. Cl.**  
USPC ..... **D26/35**

(58) **Field of Classification Search**

USPC ..... D26/28, 35; D12/196; D21/433

CPC ..... F21S 41/00; F21S 43/14; F21S 43/145; F21S 43/15; F21S 43/20

See application file for complete search history.

(56) **References Cited**

**U.S. PATENT DOCUMENTS**

D601,729 S \* 10/2009 Kuo ..... D26/28

D630,352 S \* 1/2011 Jeong ..... D26/28

D655,836 S *	3/2012	Lee	.....	D26/28
D670,842 S *	11/2012	Fuchigami	.....	D26/28
D680,249 S *	4/2013	Iwai	.....	D26/28
D686,764 S *	7/2013	Hamilton	.....	D26/28
D686,765 S *	7/2013	Hamilton	.....	D26/28
D689,637 S *	9/2013	Kim	.....	D26/28
D701,983 S *	4/2014	Kong	.....	D26/28
D720,872 S *	1/2015	Lim	.....	D26/28
D720,873 S *	1/2015	Lim	.....	D26/28
D760,410 S *	6/2016	Arroba	.....	D26/28
D775,389 S *	12/2016	Tsai	.....	D26/28
D777,960 S *	1/2017	Han	.....	D26/28
D779,091 S *	2/2017	Giolito	.....	D26/28
D785,216 S *	4/2017	Park	.....	D26/28
D785,835 S *	5/2017	Lee	.....	D26/28
D785,836 S *	5/2017	Lee	.....	D26/28
D815,766 S *	4/2018	Park	.....	D26/28

(Continued)

**OTHER PUBLICATIONS**

Protuninglab.com: 2011-2013 Hyundai Elantra Fiber-Optic Style LED Tail Lights—Black. Undated; 3 pages. Found online Nov. 7, 2018 at <https://www.protuninglab.com/20hyelfistle4.html>.\*

*Primary Examiner* — Robert M. Spear

(74) *Attorney, Agent, or Firm* — Mintz Levin Cohn Ferris Glovsky and Popeo, P.C.; Kongsik Kim

(57) **CLAIM**

The ornamental design for a rear combination lamp for an automobile, as shown and described.

**DESCRIPTION**

1. Rear combination lamp for an automobile

1.1 : Perspective

1.2 : Front

1.3 : Back

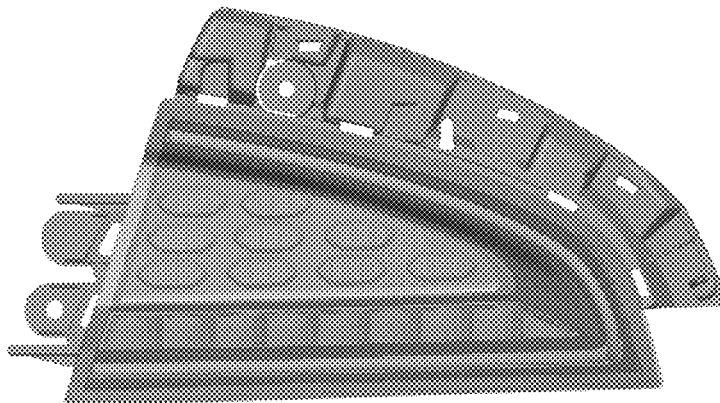
1.4 : Left

1.5 : Right

1.6 : Top

1.7 : Bottom

**1 Claim, 7 Drawing Sheets**



(56)

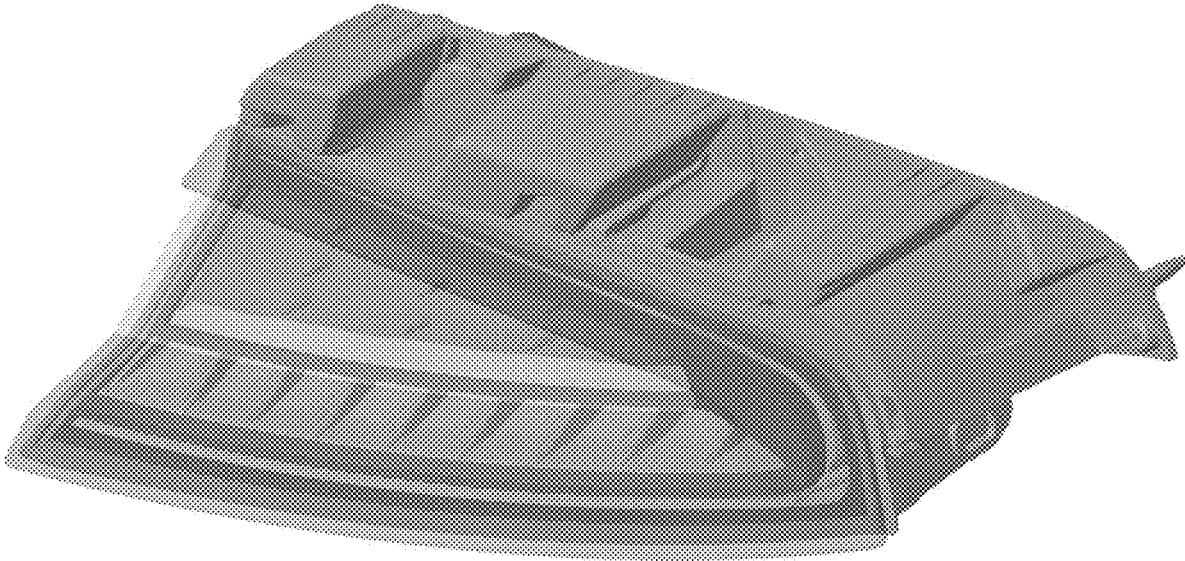
**References Cited**

U.S. PATENT DOCUMENTS

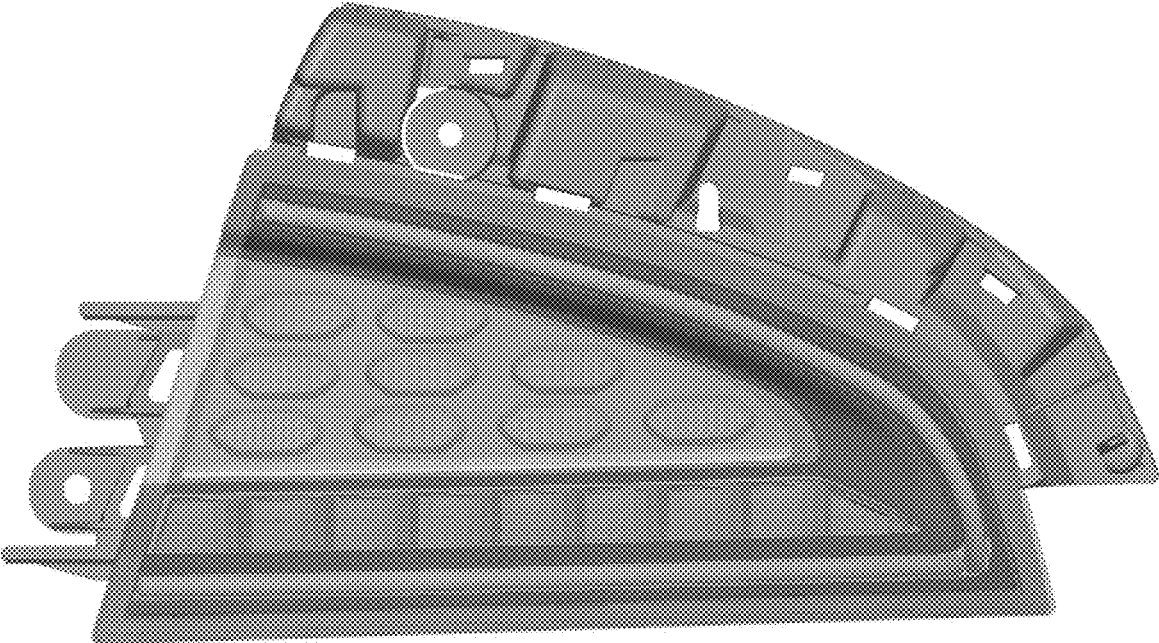
D825,800	S	*	8/2018	Peterson	.....	D26/28
10,054,282	B2	*	8/2018	Baccarin	.....	B60Q 1/0058
D827,886	S	*	9/2018	Komuro	.....	D26/28
D832,477	S	*	10/2018	Ha	.....	D26/28
D833,659	S	*	11/2018	Lee	.....	D26/28

\* cited by examiner

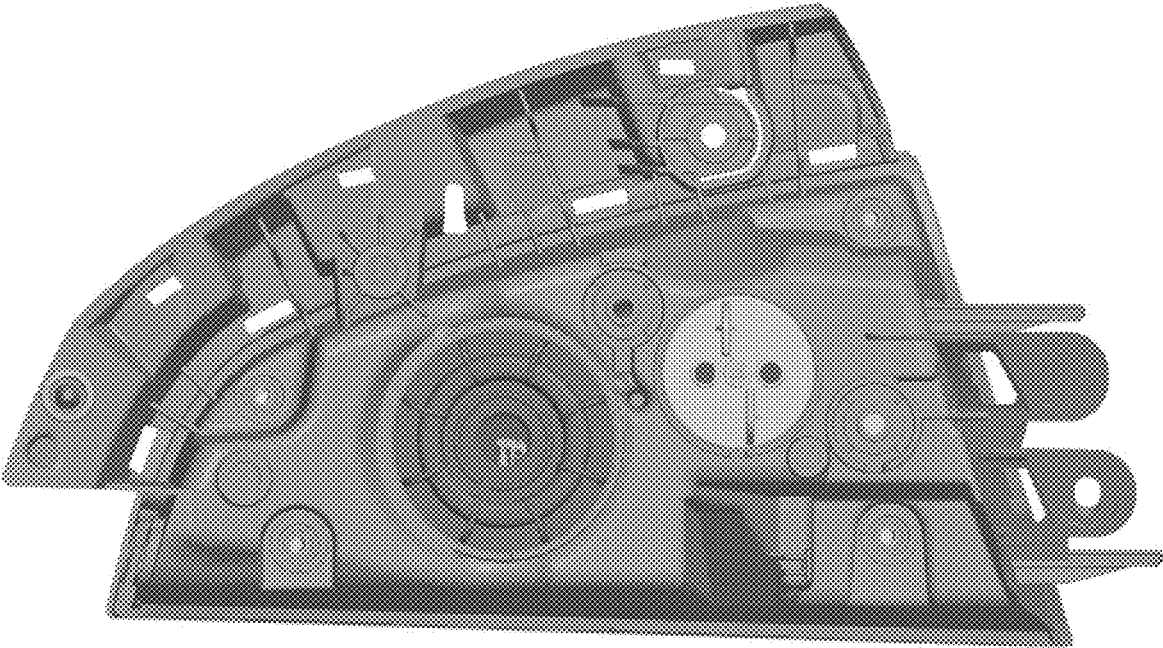
1.1



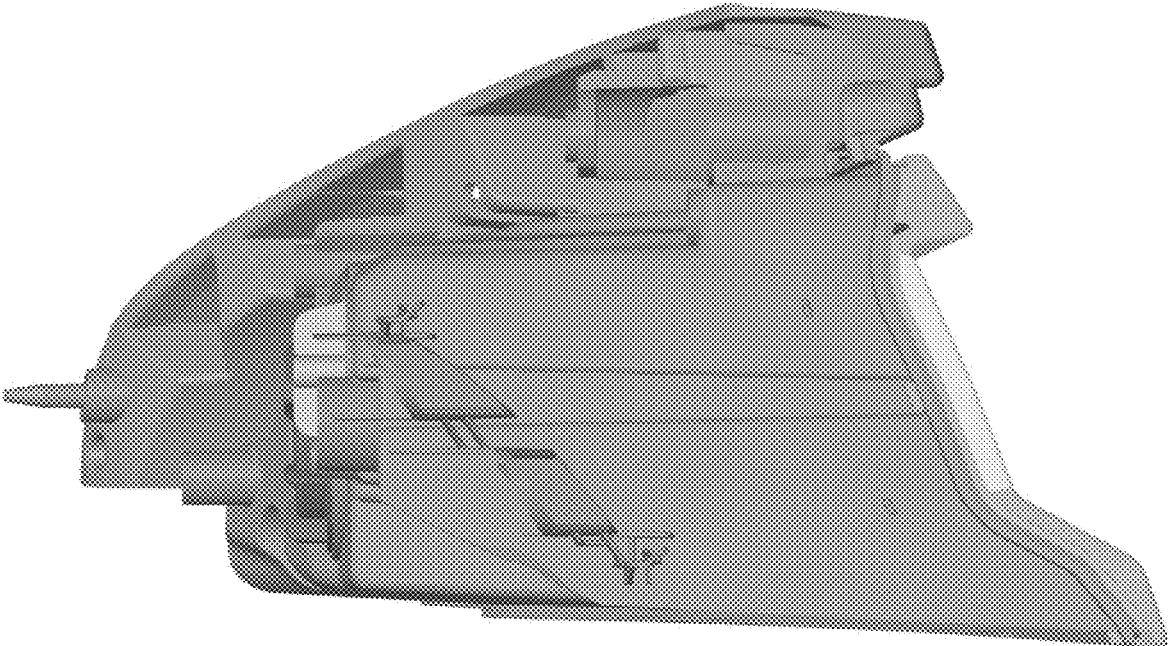
1.2



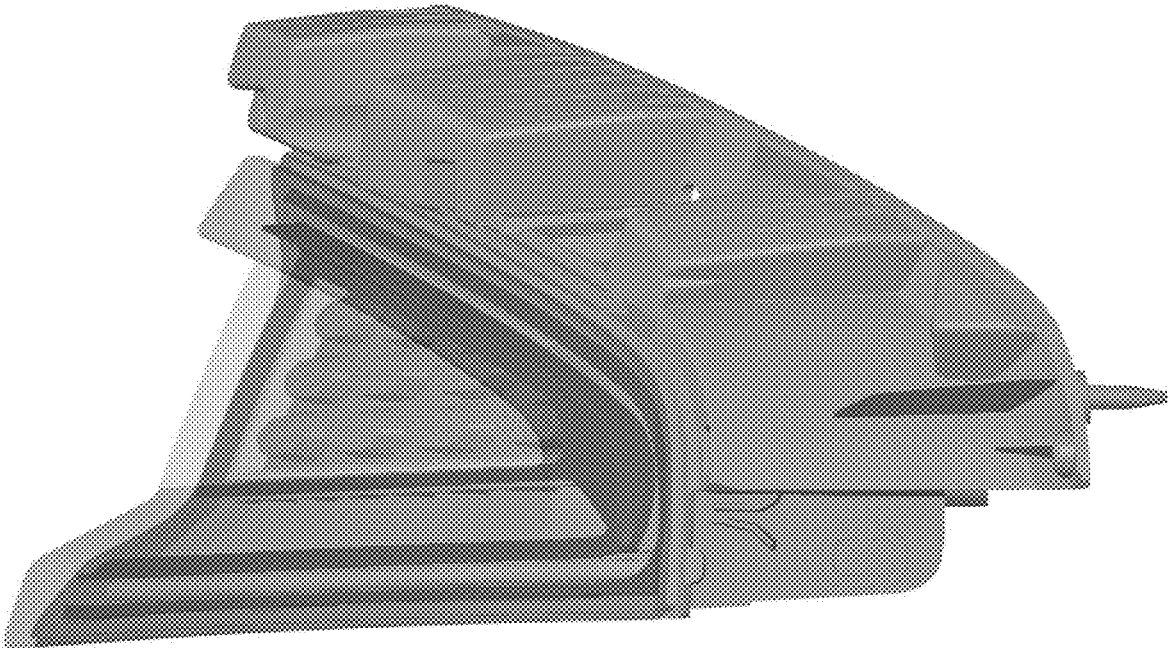
1.3



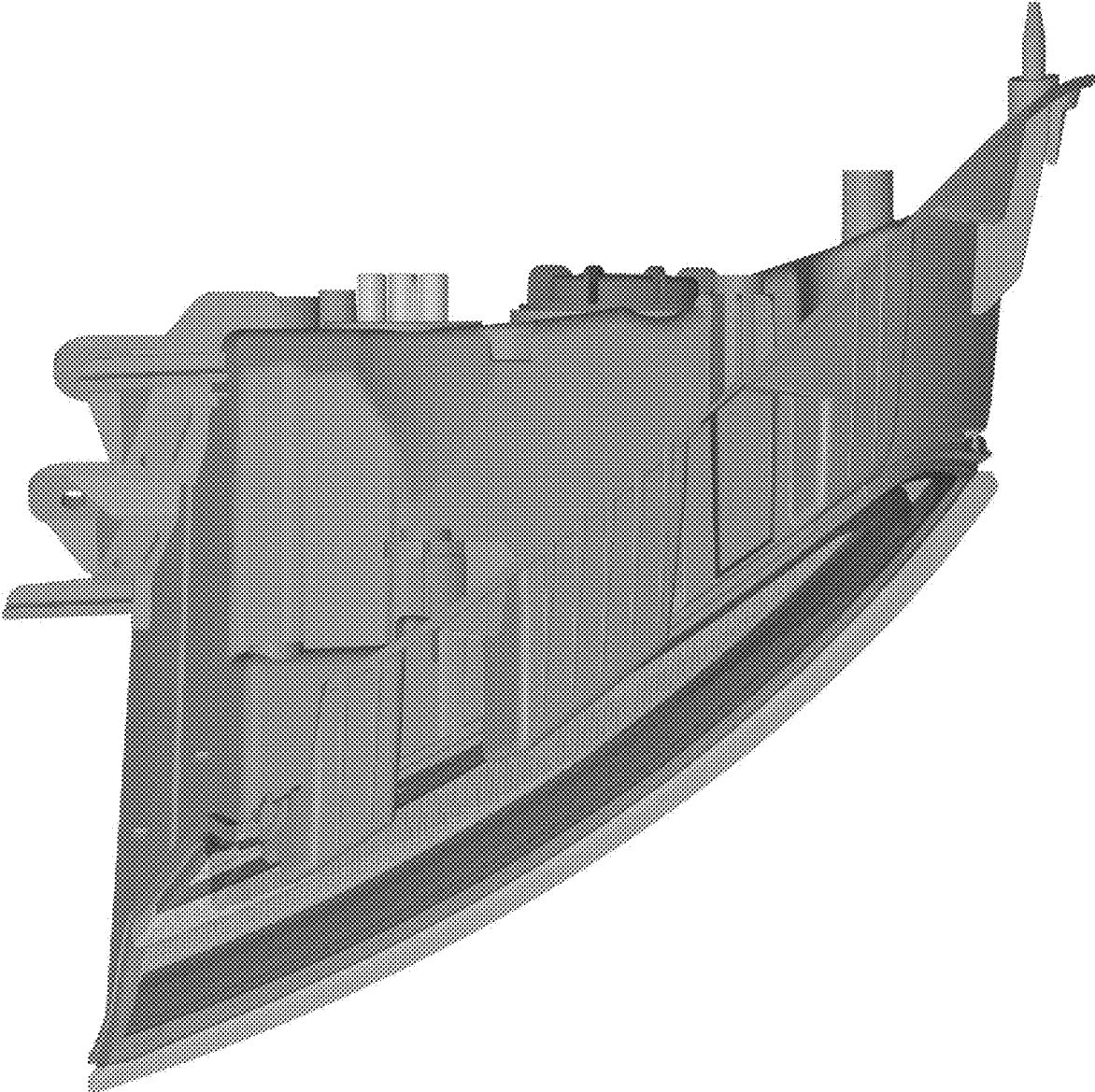
1.4



1.5



1.6





1.7

