



US00D925397S

(12) **United States Design Patent**  
**Della Valle**

(10) **Patent No.:** **US D925,397 S**

(45) **Date of Patent:** **\*\* Jul. 20, 2021**

(54) **BUCKLE**

(56)

**References Cited**

(71) Applicant: **TOD'S S.p.A.**, Sant'Elpidio a Mare  
(IT)  
(72) Inventor: **Diego Della Valle**, Sant'Elpidio a Mare  
(IT)  
(\*\*) Term: **15 Years**

U.S. PATENT DOCUMENTS

D22,948 S *	12/1893	Brower	.....	D11/206
D30,465 S *	4/1899	See	.....	D11/208
D77,791 S *	2/1929	Slote	.....	D11/218
D525,907 S *	8/2006	Mouquet	.....	D11/234
D536,281 S *	2/2007	Mouquet	.....	D11/234
D556,081 S *	11/2007	Mouquet	.....	D11/87
D856,846 S *	8/2019	Mouquet	.....	D11/231
D857,551 S *	8/2019	Mouquet	.....	D11/231

(21) Appl. No.: **35/508,345**

(22) Filed: **Dec. 4, 2019**

OTHER PUBLICATIONS

<https://www.amazon.com/TODS-buckle-hammered-leather-bag/dp/B08BZWCHH6> (Year: 2020).\*

(80) **Hague Agreement Data**

Int. Filing Date: **Dec. 4, 2019**  
Int. Reg. No.: **DM/205157**  
Int. Reg. Date: **Dec. 4, 2019**  
Int. Reg. Pub. Date: **Jan. 17, 2020**

\* cited by examiner

*Primary Examiner* — Michael A. Pratt

(30) **Foreign Application Priority Data**

Jun. 6, 2019 (EM) ..... 006568689

(51) **LOC (13) CL.** ..... **02-07**

(52) **U.S. Cl.**  
USPC ..... **D11/217**

(58) **Field of Classification Search**  
USPC ..... D11/200, 202, 204, 206, 208, 209, 210,  
D11/212, 218-219  
CPC ... A44B 11/2561; A44B 11/006; A44B 11/24;  
A44B 11/001; A44B 11/22; A44B 11/04;  
A44B 11/2576; A44B 11/28

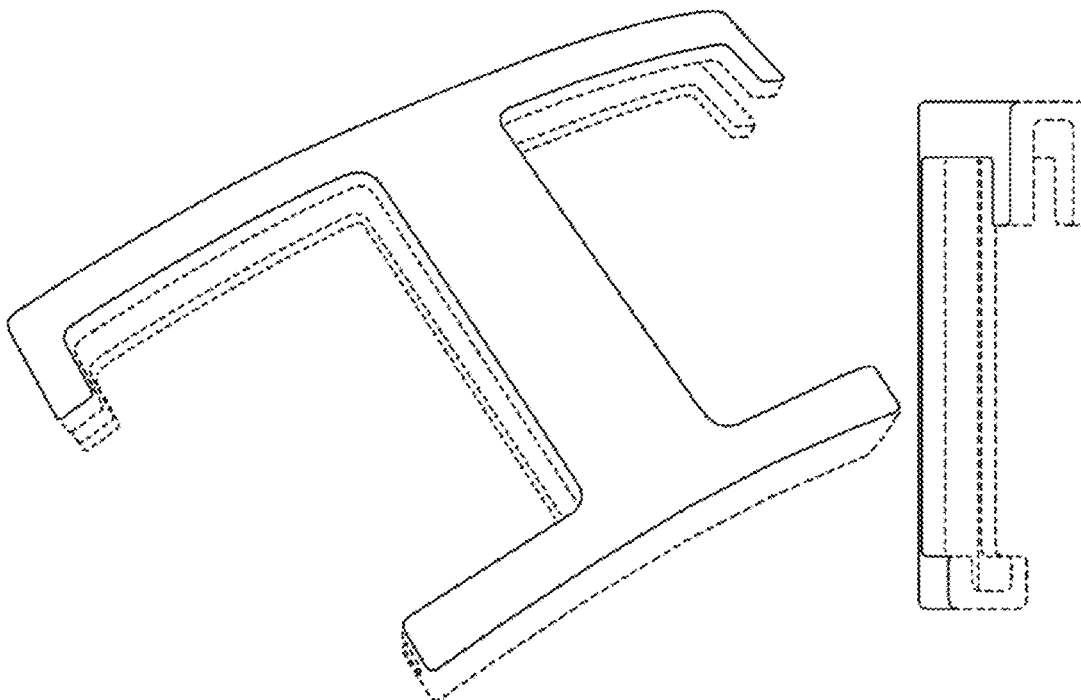
See application file for complete search history.

(57) **CLAIM**  
The ornamental design for a buckle, as shown and described.

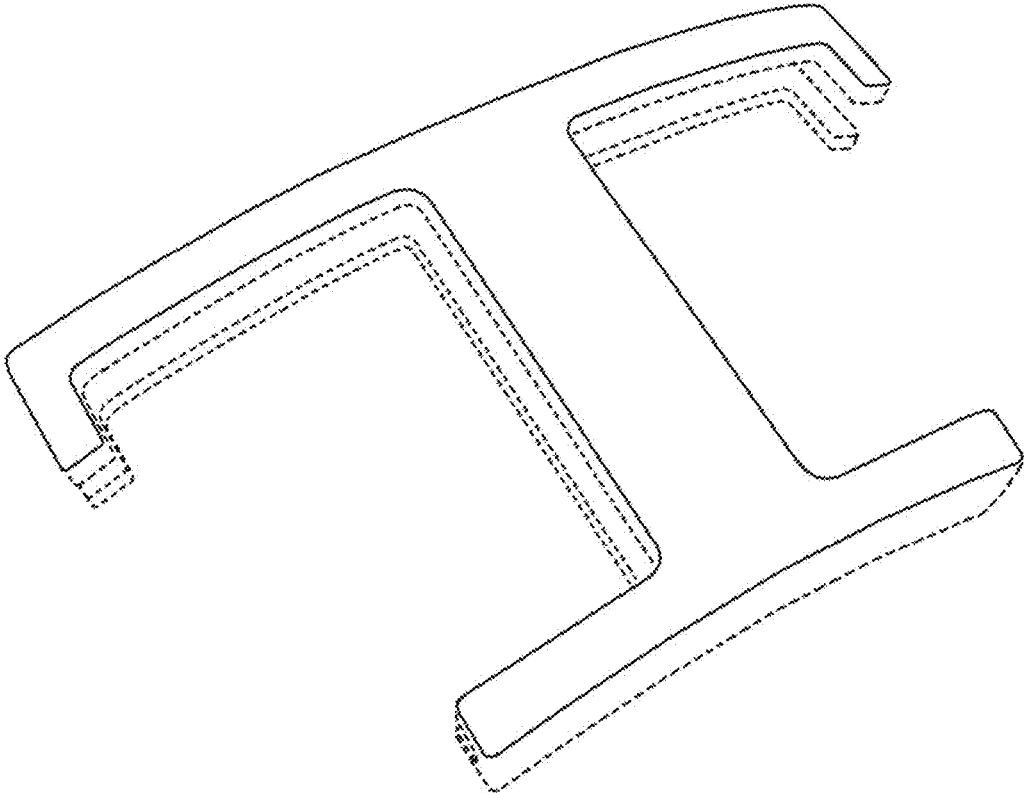
**DESCRIPTION**

1. Buckle  
1.1 : Perspective  
1.2 : Front  
1.3 : Back  
1.4 : Right  
1.5 : Left  
1.6 : Top  
1.7 : Bottom  
The broken lines shown in the views represent portions of the buckle that form no part of the claimed design.

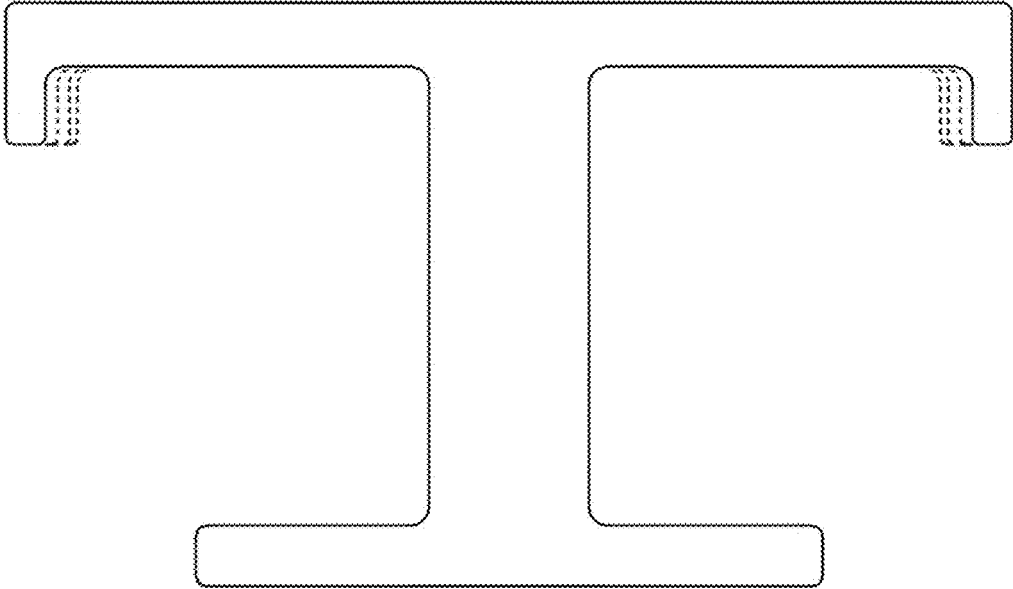
**1 Claim, 7 Drawing Sheets**



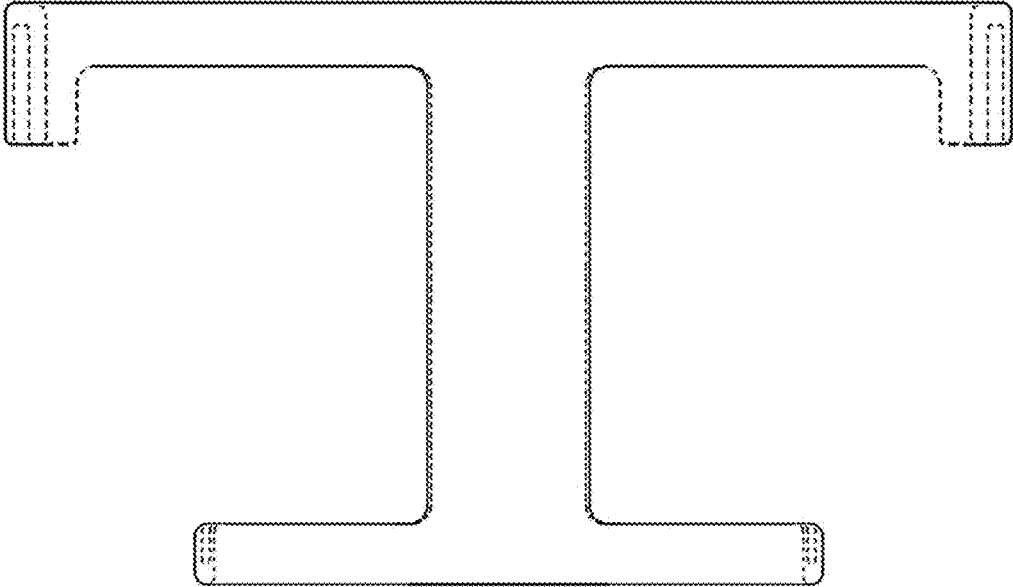
1.1



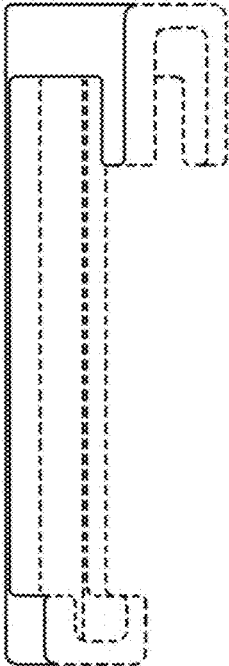
1.2



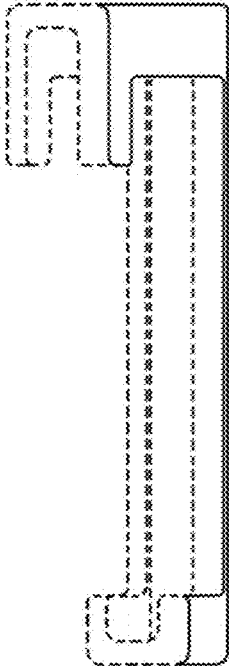
1.3



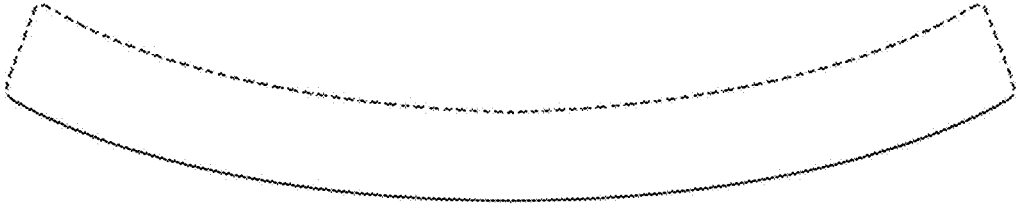
1.4



1.5



1.6



1.7

