

(12) **UK Patent Application** (19) **GB** (11) **2 424 371** (13) **A**

(43) Date of Printing by UK Office **27.09.2006**

(21) Application No: **0601227.2**  
(22) Date of Filing: **01.12.2003**  
(30) Priority Data:  
(31) **361490** (32) **29.07.2003** (33) **PL**  
(86) International Application Data:  
**PCT/PL2003/000132 En 01.12.2003**  
(87) International Publication Data:  
**WO2005/009238 En 03.02.2005**

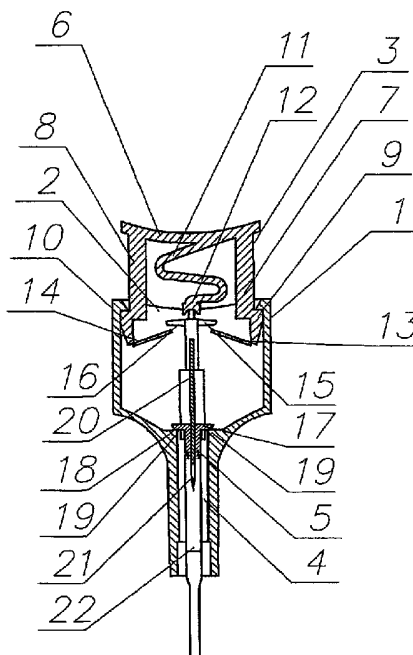
(51) INT CL:  
**A61B 5/15** (2006.01)  
(52) UK CL (Edition X):  
**A5R RCV**  
(56) Documents Cited by ISA:  
**US 6053930 A** **US 5356420 A**  
(58) Field of Search by ISA:  
INT CL **A61B**  
Other:

(71) Applicant(s):  
**HTL STREFA Spolka z o.o**  
**(Incorporated in Poland)**  
**ul. Adamówek 7, 95-035 Ozorków, Poland**

(continued on next page)

(54) Abstract Title: **Puncturing device**

(57) The device is built of a housing (1), wherein a push button (3) is positioned, and the puncturing needle (5), wherein the push button (3) has arms (7,8) to guide the push button (3) inside the housing (1), and a driving spring (11), one end of which is linked to the push button (3), and the other end drives the puncturing needle (5), and the puncturing needle (5) has breakable wings (17, 18), which rest against the breaking edge (19) of the housing (1). The device has moreover two return springs (13, 14), each of which is connected to one of the arms (7, 8) of the push button (3), and two side juts (15, 16), each of which is positioned between one of the return springs (13, 14) and the other end of the driving spring (11).



**GB 2424371 A continuation**

(72) Inventor(s):  
**Rutynowski Wlodzimierz**

(74) Agent and/or Address for Service:  
**Mewburn Ellis LLP**  
**York House, 23 Kingsway, LONDON,**  
**WC2B 6HP, United Kingdom**