

(12) **United States Design Patent**  
**Yaguchi**

(10) **Patent No.:** **US D828,057 S**  
(45) **Date of Patent:** **\*\* Sep. 11, 2018**

- (54) **ORIGAMI STAND**
- (71) Applicant: **Taro Yaguchi**, Philadelphia, PA (US)
- (72) Inventor: **Taro Yaguchi**, Philadelphia, PA (US)
- (\*\*) Term: **15 Years**
- (21) Appl. No.: **29/578,738**
- (22) Filed: **Sep. 23, 2016**
- (51) **LOC (11) Cl.** ..... **06-04**
- (52) **U.S. Cl.**  
USPC ..... **D6/681**
- (58) **Field of Classification Search**  
USPC ..... D6/313, 332, 672, 681, 681.1, 682,  
D6/682.5; D16/241, 244; D20/10, 41,  
D20/42  
CPC .. A47F 5/0006; A47F 5/01; A47F 5/10; A47F  
5/13; A47F 7/142; A47F 7/143  
See application file for complete search history.

4,200,024	A *	4/1980	Watson	.....	G10D 13/06 84/421
4,315,572	A *	2/1982	Clare	.....	B42D 17/00 211/105.1
D268,458	S *	4/1983	Schoenig	.....	D16/244
D288,755	S *	3/1987	Schoenig	.....	D6/681.1
4,744,690	A *	5/1988	Hsieh	.....	F16B 7/1418 248/411
D298,041	S *	10/1988	Chang	.....	D17/9
4,988,064	A *	1/1991	Hoshino	.....	F16M 11/046 248/165
D334,217	S *	3/1993	Minehart	.....	D20/41
D384,979	S *	10/1997	Greene, Jr.	.....	D20/41
D428,186	S *	7/2000	Leen	.....	D26/138
D447,262	S *	8/2001	Leen	.....	D26/65
D450,339	S *	11/2001	Eason	.....	D16/244
D462,538	S *	9/2002	Bonsall	.....	D6/681.1
D466,719	S *	12/2002	Fitzpatrick	.....	D6/681.3
6,745,909	B1 *	6/2004	Lai	.....	A47G 25/0664 211/204
D557,035	S *	12/2007	Huang	.....	D6/701

(Continued)

*Primary Examiner* — John Windmuller  
*Assistant Examiner* — Steven J Czyz  
(74) *Attorney, Agent, or Firm* — Konomi Takeshita

(56) **References Cited**

U.S. PATENT DOCUMENTS

1,394,596	A *	10/1921	Mayer	.....	F21V 21/22 248/171
1,510,272	A *	9/1924	Harmount	.....	A47G 25/0664 211/204
D120,114	S *	4/1940	Waechter et al.	.....	D6/701
D181,708	S *	12/1957	Cooley et al.	.....	D16/241
2,845,244	A *	7/1958	Prokop	.....	F16M 11/16 160/24
2,893,568	A *	7/1959	Scholz	.....	A47F 5/13 211/204
2,893,767	A *	7/1959	Buchman	.....	A47G 25/0664 211/204
3,064,932	A *	11/1962	Holderman	.....	F16M 11/28 248/171
3,805,966	A *	4/1974	Wakeman	.....	A47F 5/13 211/175
4,036,465	A *	7/1977	Kellner	.....	A47B 19/08 248/463

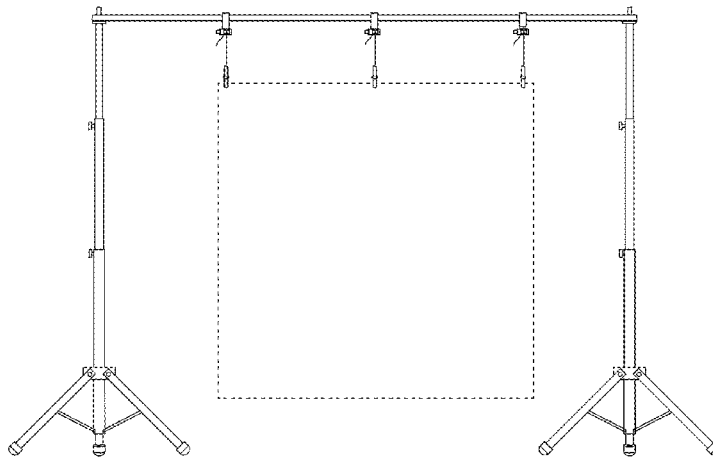
(57) **CLAIM**

The ornamental design for an origami stand, substantially as shown and described.

**DESCRIPTION**

FIG. 1 is a front view of an origami stand, showing my new design;  
FIG. 2 is a top plan view thereof;  
FIG. 3 is a bottom plan view thereof;  
FIG. 4 is a right side view thereof; and,  
FIG. 5 is a left view thereof.  
The broken lines depict environment that forms no part of the claimed design.

**1 Claim, 3 Drawing Sheets**



(56)

References Cited

U.S. PATENT DOCUMENTS

D570,618 S *	6/2008	Tai	.....	D14/229	2005/0036308 A1 *	2/2005	Wright	.....	F21V 21/06
D584,362 S *	1/2009	Cowgill	.....	D20/41					362/190
7,581,343 B1 *	9/2009	Baxter	.....	G09F 15/0025	2006/0065615 A1 *	3/2006	Wang	.....	A47B 91/02
				40/603					211/206
7,832,574 B1 *	11/2010	Sexton	.....	A47G 25/0664	2007/0289185 A1 *	12/2007	Huston	.....	G09F 7/18
				211/195					40/617
D657,977 S *	4/2012	Belitz	.....	D6/681.1	2008/0030998 A1 *	2/2008	Tsai	.....	F21V 21/06
D684,209 S *	6/2013	Measom	.....	D16/241					362/382
D719,612 S *	12/2014	Aleman	.....	D20/41	2008/0283205 A1 *	11/2008	Zimmer	.....	A47H 13/04
D720,384 S *	12/2014	Holmen	.....	D16/244					160/330
D723,311 S *	3/2015	Jiang	.....	D14/253	2009/0294077 A1 *	12/2009	Zimmer	.....	A47H 1/02
D736,548 S *	8/2015	Hornsby	.....	D6/681.1					160/168.1 R
D785,381 S *	5/2017	Johnson	.....	D6/681	2010/0294900 A1 *	11/2010	Maurer	.....	A45F 3/44
D785,382 S *	5/2017	Hausner	.....	D6/681.2					248/156
D790,892 S *	7/2017	Chung	.....	D6/681	2010/0328962 A1 *	12/2010	Liu	.....	F21V 21/06
2004/0112854 A1 *	6/2004	Lai	.....	A47G 25/0664					362/384
				211/206	2012/0085719 A1 *	4/2012	Duemmel	.....	A45B 11/00
									211/60.1
					2014/0318085 A1 *	10/2014	Sill	.....	B65B 5/045
									53/473

\* cited by examiner

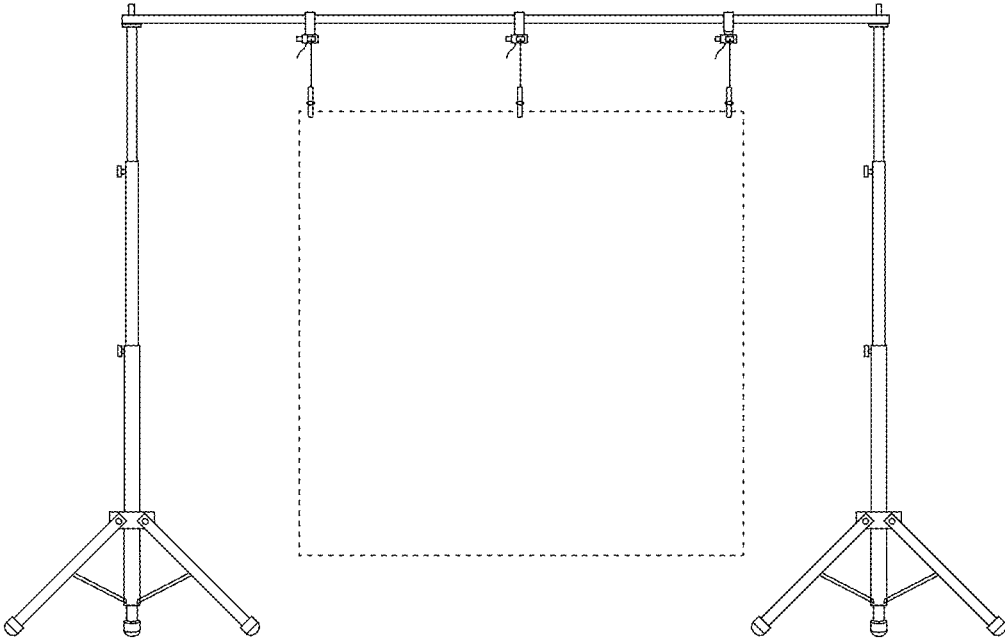


FIG.1

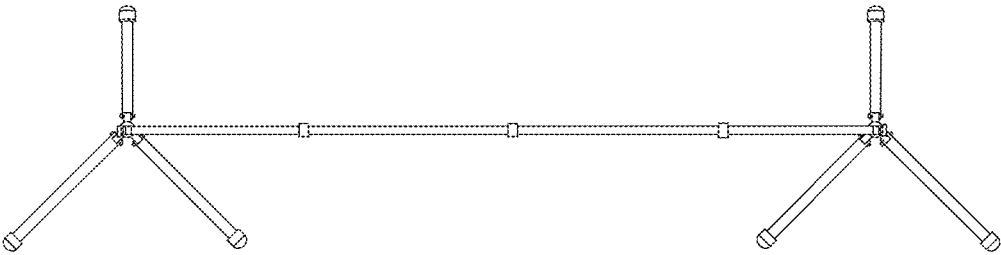


FIG. 2

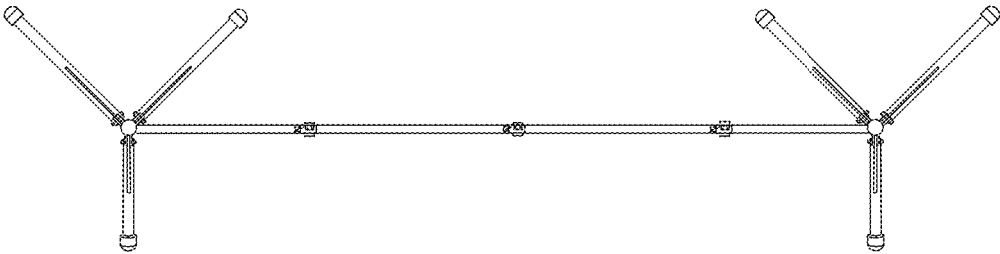


FIG. 3

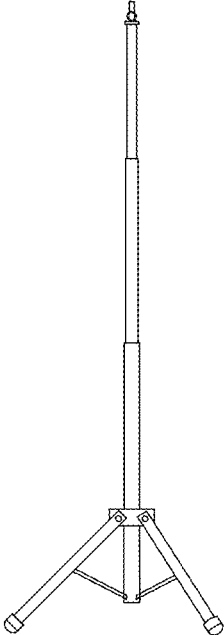


FIG. 4

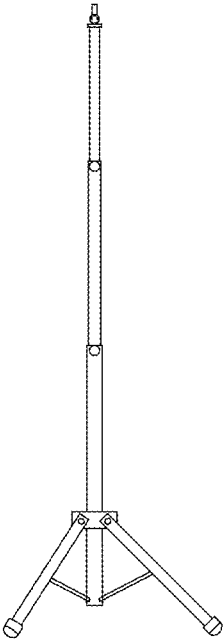


FIG. 5