



US00D605733S

(12) **United States Design Patent**
Cavalieri

(10) **Patent No.:** **US D605,733 S**

(45) **Date of Patent:** **** Dec. 8, 2009**

(54) **DRAIN ASSEMBLY**

(76) Inventor: **Anthony Cavalieri**, 9636 N. Cortland Dr., Citrus Springs, FL (US) 34434

(**) Term: **14 Years**

(21) Appl. No.: **29/300,956**

(22) Filed: **Jun. 5, 2008**

(51) **LOC (9) Cl.** **23-01**

(52) **U.S. Cl.** **D23/261**

(58) **Field of Classification Search** D23/259-269;
4/286-295, 679-694, 596-614

See application file for complete search history.

(56) **References Cited**

U.S. PATENT DOCUMENTS

313,068	A	3/1885	Gage	
594,169	A	11/1897	Catsiff	
2,335,129	A *	11/1943	Moore-Macmahon	4/295
4,188,674	A *	2/1980	Mardirosian	4/292
4,218,785	A *	8/1980	Crawford et al.	4/692
D266,963	S *	11/1982	Sherman	D32/35
5,363,518	A *	11/1994	Mowery	4/692
D357,306	S *	4/1995	Lenox	D23/260
5,546,614	A	8/1996	King, II	
5,749,105	A *	5/1998	Bruno et al.	4/295
5,996,143	A *	12/1999	Lordahl et al.	4/689

6,058,526	A *	5/2000	Parisi et al.	4/688
6,341,391	B1 *	1/2002	Cheng	4/689
6,487,729	B2	12/2002	Delanzo	
2003/0000006	A1 *	1/2003	Terry	4/286

* cited by examiner

Primary Examiner—T. Chase Nelson
Assistant Examiner—Eric L Goodman
(74) *Attorney, Agent, or Firm*—Paul R. Martin

(57) **CLAIM**

The ornamental design for a drain assembly, as shown and described.

DESCRIPTION

FIG. 1 is a front view of my design, the rear view being a mirror image thereof;

FIG. 2 is a perspective view of my design;

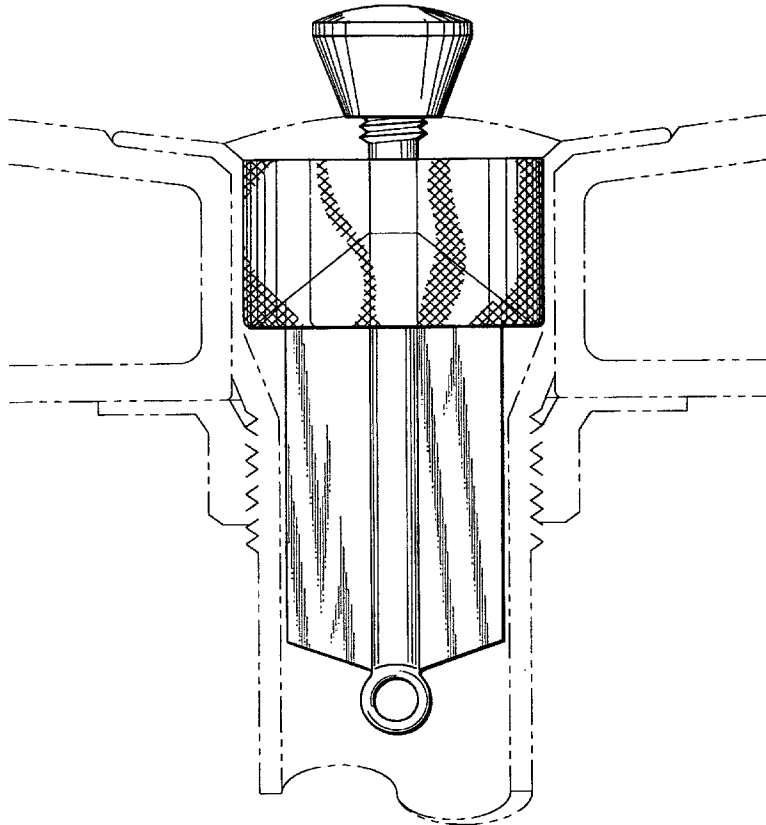
FIG. 3 is a side view of my design, the opposite side view being a mirror image thereof;

FIG. 4 is a top view of my design; and,

FIG. 5 is a bottom view of my design.

The features shown in broken lines in FIG. 1 are shown for illustrative purpose only and form no part of the claimed design.

1 Claim, 3 Drawing Sheets



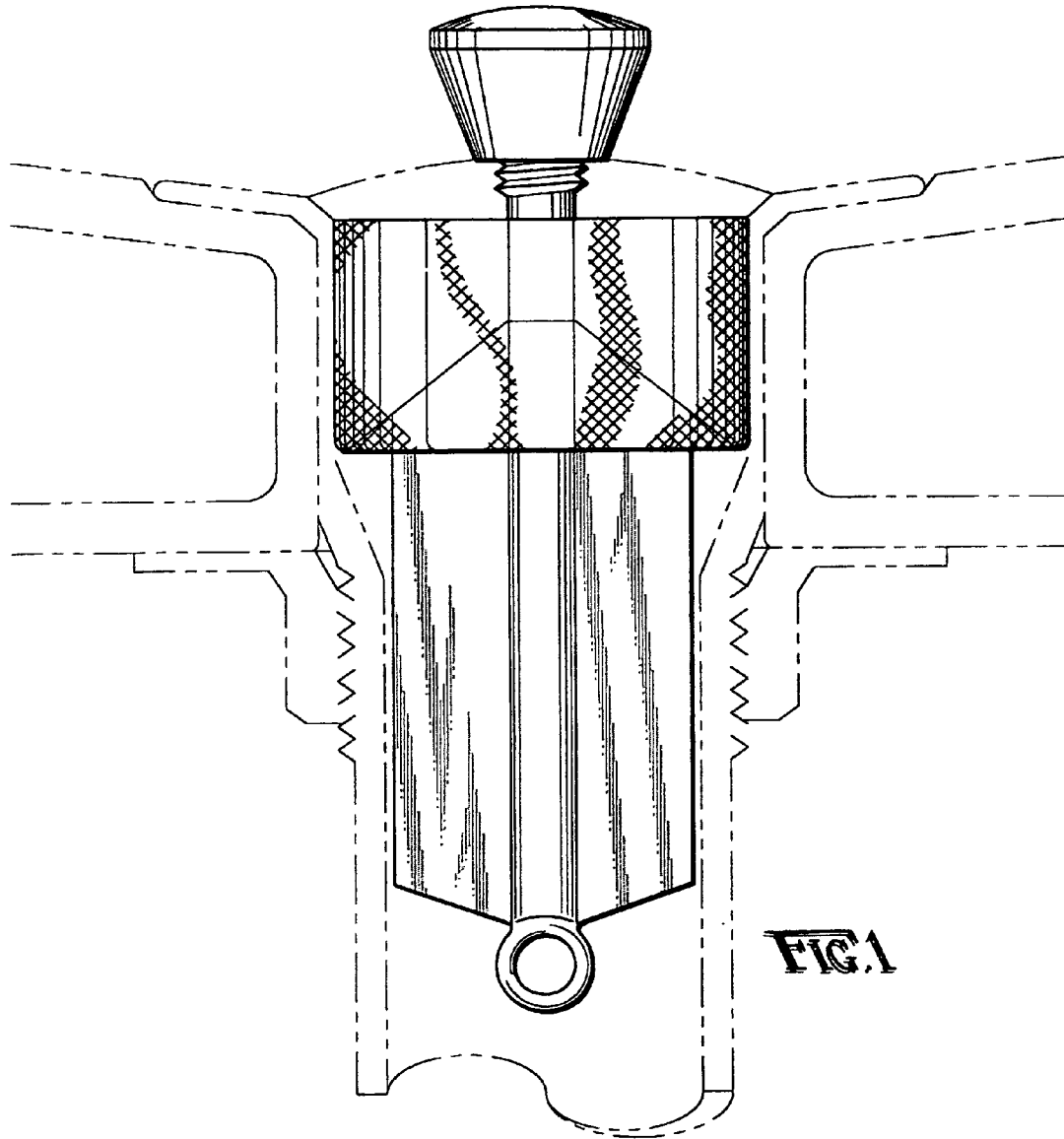
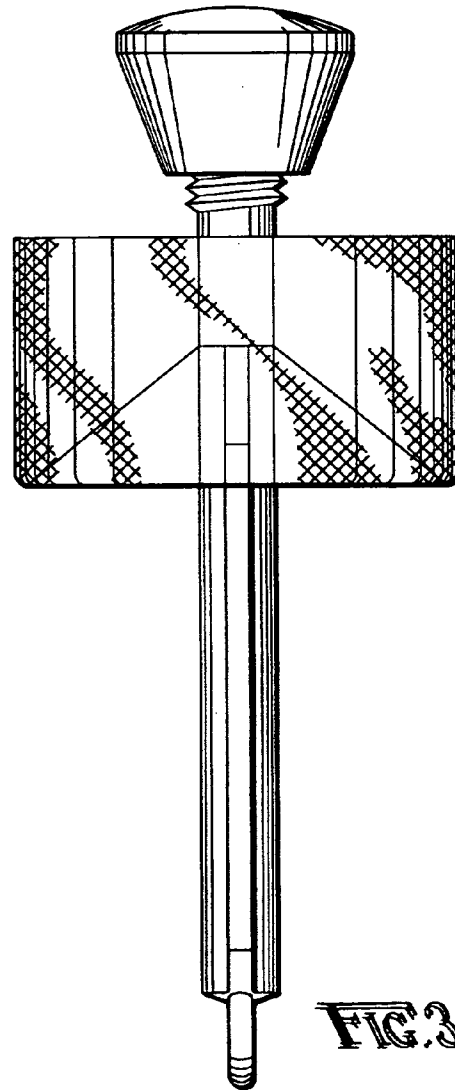
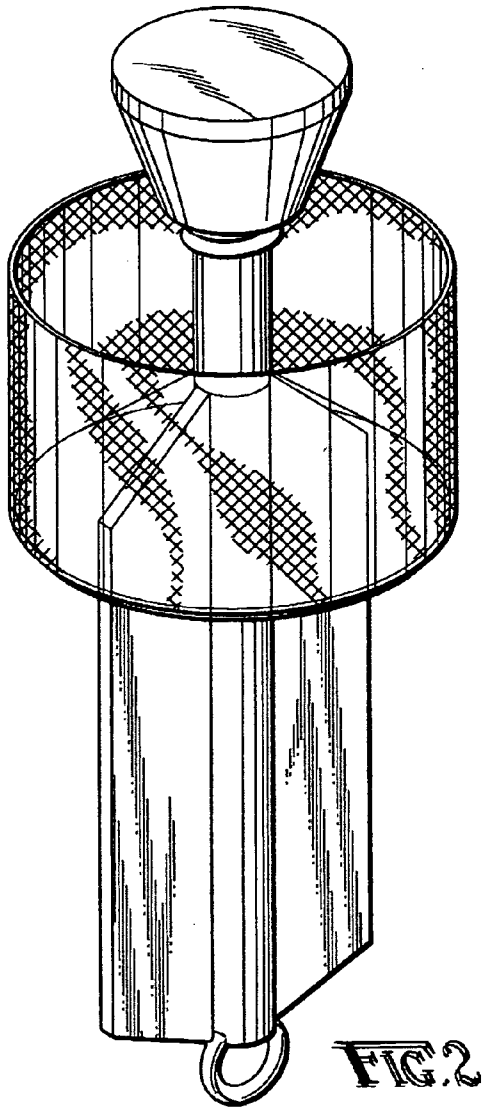


FIG. 1



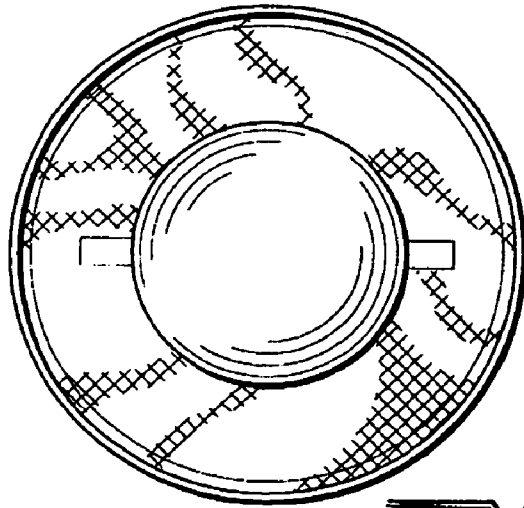


FIG. 4

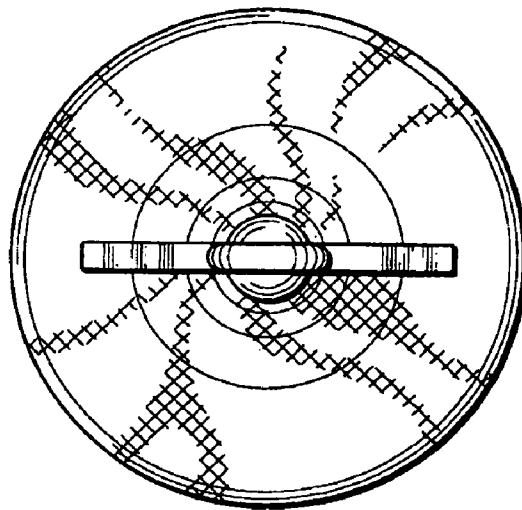


FIG. 5