



US00D940974S

(12) **United States Design Patent**
Delancey et al.

(10) **Patent No.:** **US D940,974 S**
(45) **Date of Patent:** **** Jan. 11, 2022**

- (54) **SWIVEL STICK ADAPTER**
- (71) Applicants: **Zachary Ross Delancey**, Reidsville, NC (US); **Jeffrey Robert Russell**, Winston Salem, NC (US); **Brandon Wayne Blakely**, Burlington, NC (US)
- (72) Inventors: **Zachary Ross Delancey**, Reidsville, NC (US); **Jeffrey Robert Russell**, Winston Salem, NC (US); **Brandon Wayne Blakely**, Burlington, NC (US)
- (73) Assignee: **Camco Manufacturing, LLC**, Greensboro, NC (US)
- (**) Term: **15 Years**
- (21) Appl. No.: **29/649,597**
- (22) Filed: **May 31, 2018**
- (51) **LOC (13) Cl.** **15-05**
- (52) **U.S. Cl.**
USPC **D32/25**
- (58) **Field of Classification Search**
USPC D23/249, 258, 259, 260, 261, 262, 264, D23/265, 266, 303, 309, 206-208, 213, D23/223, 228, 237; D32/1, 4, 14, 17, 25, D32/32, 35, 45; D12/101, 103, 400; D8/349, 354, 356, 373, 376, 396, 303, D8/310, DIG. 4-DIG. 8; 4/255.04, 4/255.08, 286, 287, 295, 323; 134/149, 134/167 R, 167 C, 175, 177; 138/103, 138/106, 107; 239/288.5
CPC .. B60R 15/00; B60R 15/04; F16L 3/01; F16L 3/08; F16L 3/10; F16L 3/1075; F16L 3/1091; F16L 7/00; F16L 55/035; F16L 55/0335; F16L 55/07; F16L 55/11; F16L 55/1141; F16L 55/128; F16L 55/1283; F16L 55/13; F16L 57/00; F16L 57/005;
(Continued)

- (56) **References Cited**
- U.S. PATENT DOCUMENTS
- 1,647,804 A * 11/1927 Laney E03C 1/306
285/244
- D214,499 S * 6/1969 Ross, Jr. D23/258
(Continued)
- FOREIGN PATENT DOCUMENTS
- CA 2857119 A1 * 1/2015 F01P 11/0204
- CN 302730523 * 2/2014
(Continued)

OTHER PUBLICATIONS

Camco Rhino 40075 Toilet Flush Valve Prop shown on webpage: <https://www.amazon.com/dp/B07FD4SVR4> [accessed on Dec. 15, 2020] (Year: 2020).*

(Continued)

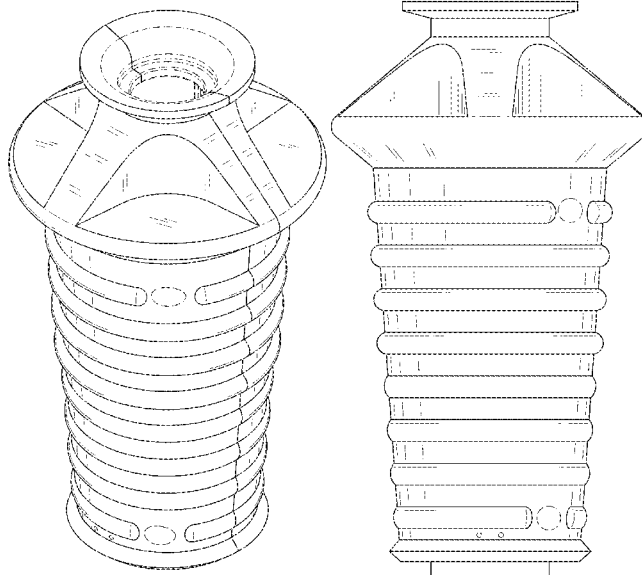
Primary Examiner — Catherine A Tuttle
(74) *Attorney, Agent, or Firm* — Tuggle Duggins P.A.; Blake P. Hurt

(57) **CLAIM**
The ornamental design for a swivel stick adapter, as shown and described.

DESCRIPTION

FIG. 1 is a top, front, right side perspective view of a swivel stick adapter showing our new design; FIG. 2 is a bottom, back, left side perspective view thereof; FIG. 3 is a front elevational view thereof, the back elevational view being a mirror image thereof; FIG. 4 is a left side elevational view thereof, the right side elevational view being a mirror image thereof; FIG. 5 is a top plan view; and, FIG. 6 is a bottom plan view thereof. The broken lines illustrate portions of the adapter that form no part of the claim.

1 Claim, 6 Drawing Sheets



(58) **Field of Classification Search**

CPC F16L 2101/00; F16L 2201/20; B08B 3/02;
 B08B 3/026; B08B 9/032; B08B 9/0321;
 B08B 9/0322; B08B 9/0553; B08B 9/08;
 B08B 9/0813; B08B 9/0821; B08B 9/093;
 B08B 9/0933; B08B 9/0936; B08B
 2203/02; B08B 2203/0264; B08B
 2203/0282; B08B 2209/00; B08B
 2209/02; B08B 2209/032; B08B
 2209/055; B08B 2209/08; B05B 15/16;
 B05B 15/60; B05B 15/652; E03F 1/008;
 E03F 5/108; E03F 9/00

See application file for complete search history.

(56) **References Cited**

U.S. PATENT DOCUMENTS

D221,759 S * 9/1971 Bauman et al. D23/266
 4,069,535 A * 1/1978 Cato B08B 9/0553
 15/104.061
 4,606,364 A * 8/1986 Tash E03C 1/306
 134/167 C
 D291,113 S * 7/1987 Bauer D23/226
 4,758,027 A * 7/1988 Todd F16L 25/0036
 285/148.23
 D297,759 S * 9/1988 Kerschke D23/266
 4,790,356 A * 12/1988 Tash G01M 3/022
 134/167 C
 5,427,153 A * 6/1995 Tash E21B 33/1277
 134/167 C
 D362,935 S * 10/1995 Lee D23/213
 5,884,842 A * 3/1999 Caine B08B 9/093
 239/251
 D454,673 S * 3/2002 Hwang D32/35
 D509,333 S * 9/2005 Tash D32/35

D594,937 S * 6/2009 Price D23/259
 D614,270 S * 4/2010 Green D23/266
 8,034,187 B2 * 10/2011 Schmitt B08B 9/0321
 134/22.12
 D774,628 S * 12/2016 Provenzano D23/262
 D780,558 S * 3/2017 Mouthaan D8/354
 D855,781 S * 8/2019 Delancey D23/259
 D863,021 S * 10/2019 Papafagos D8/303
 D899,017 S * 10/2020 Najimi D32/14
 2004/0200514 A1 * 10/2004 Lee B08B 9/0321
 134/166 R
 2007/0052235 A1 * 3/2007 Buff F16L 25/10
 285/368
 2007/0069518 A1 * 3/2007 Lyons F16L 21/005
 285/401
 2011/0225714 A1 * 9/2011 Wang E03D 9/00
 4/255.04
 2017/0146168 A1 * 5/2017 Caprio F16L 3/1075

FOREIGN PATENT DOCUMENTS

CN 303671360 * 5/2016
 CN 304549901 * 3/2018
 EP 2833044 A1 * 2/2015 F16L 57/005

OTHER PUBLICATIONS

Toilet Flush Valve Prop Shown on webpage: <http://www.camco.net/holding-tank-cleaning/toilet-flush-valve-prop-40075> [Accessed on Dec. 15, 2020] (Year: 2020).*
 Camco RV Flexible Swivel Stik with Shutoff Valve shown on webpage: https://www.amazon.com/Camco-Flexible-Powerful-Dislodges-40074/dp/B00061X7YC/ref=asc_df_B00061X7YC/?... [See document for full web address] [Accessed Dec. 17, 2020] (Year: 2020).*

* cited by examiner

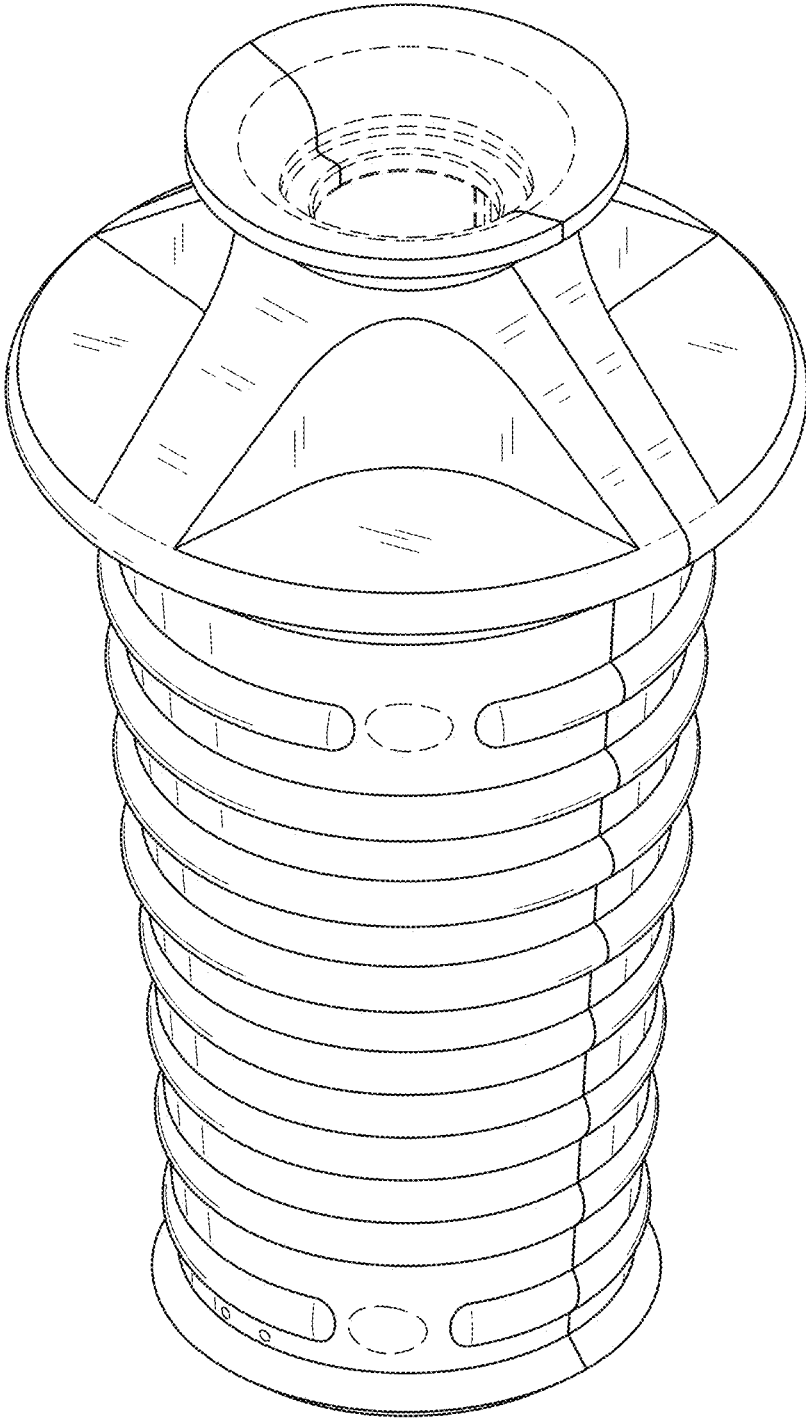


FIG. 1

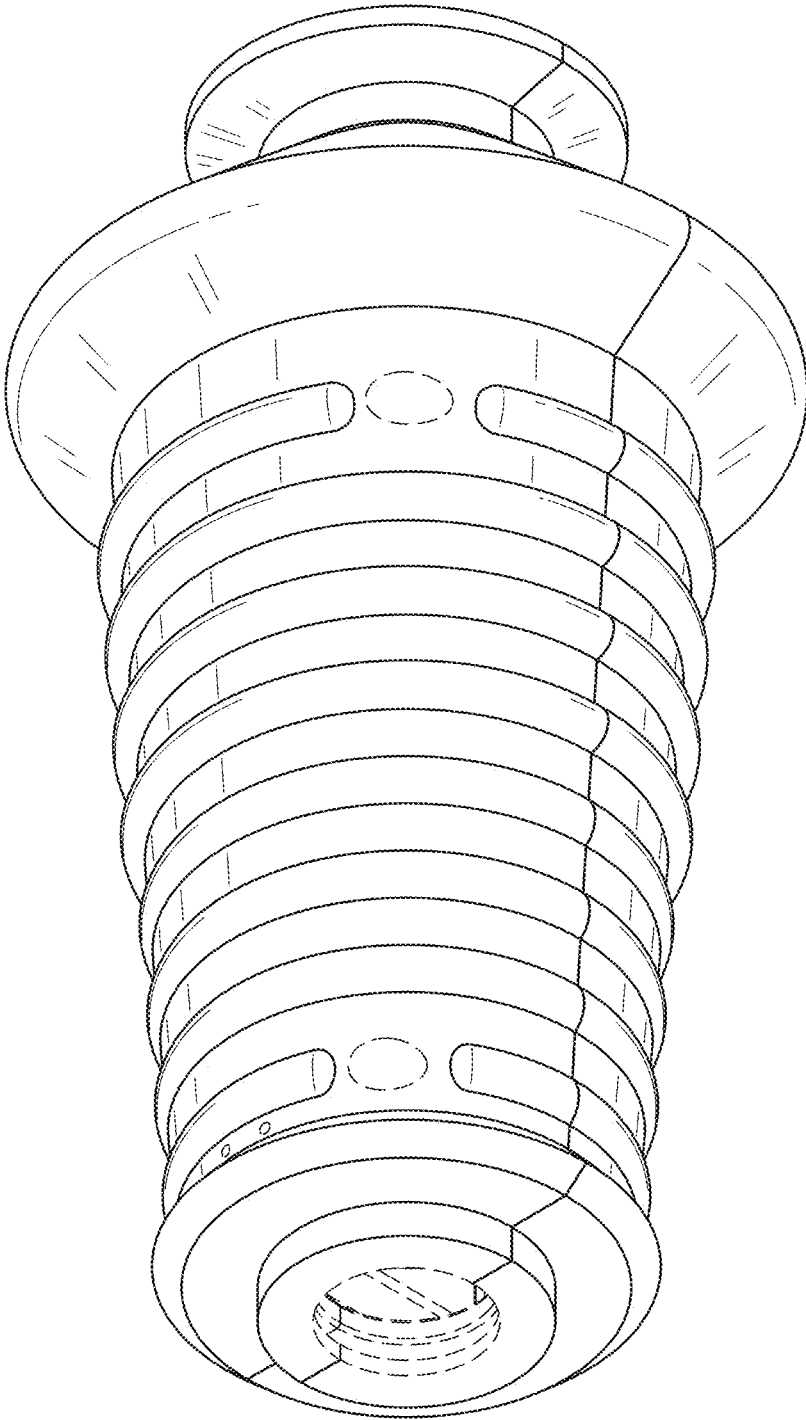


FIG. 2

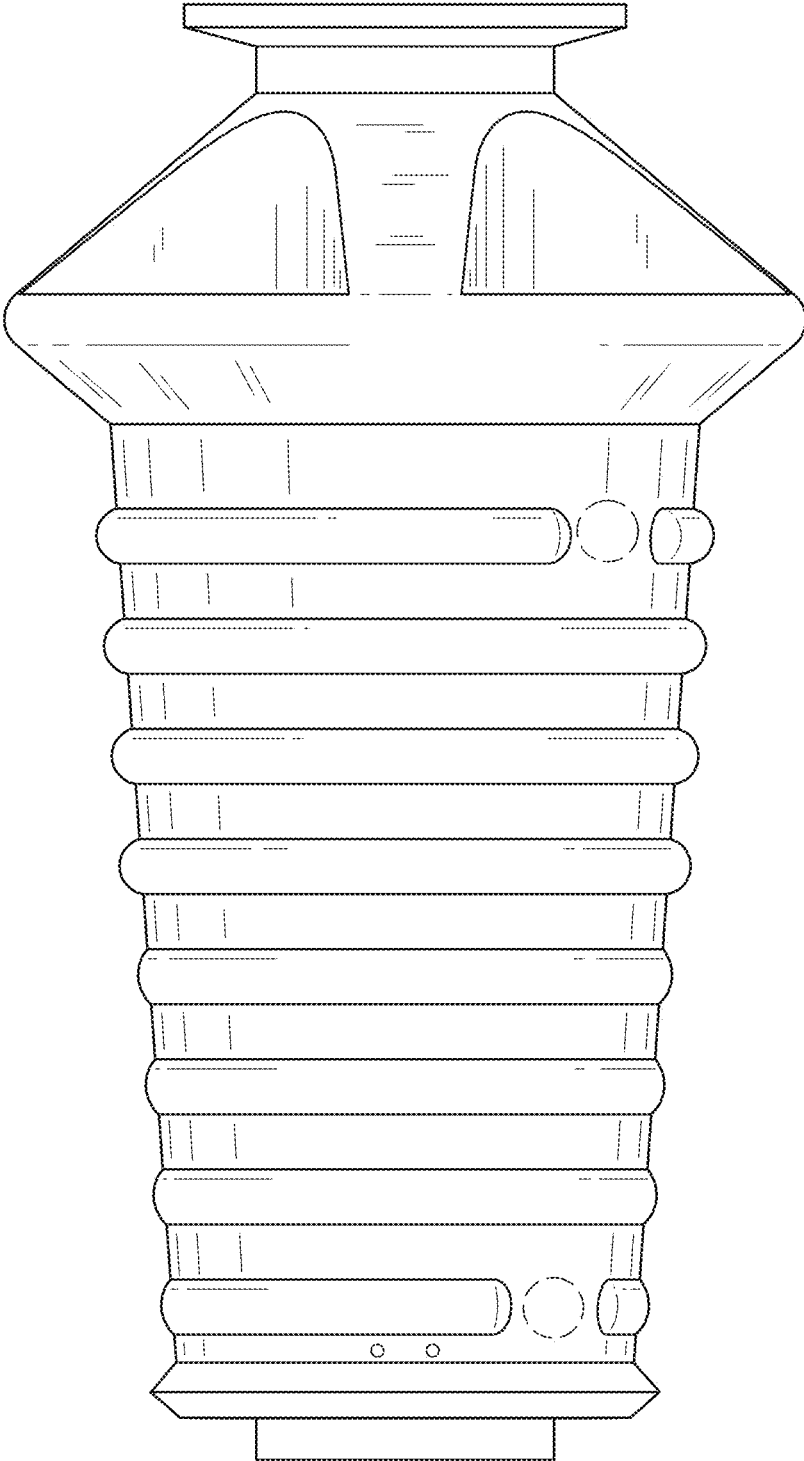


FIG. 3

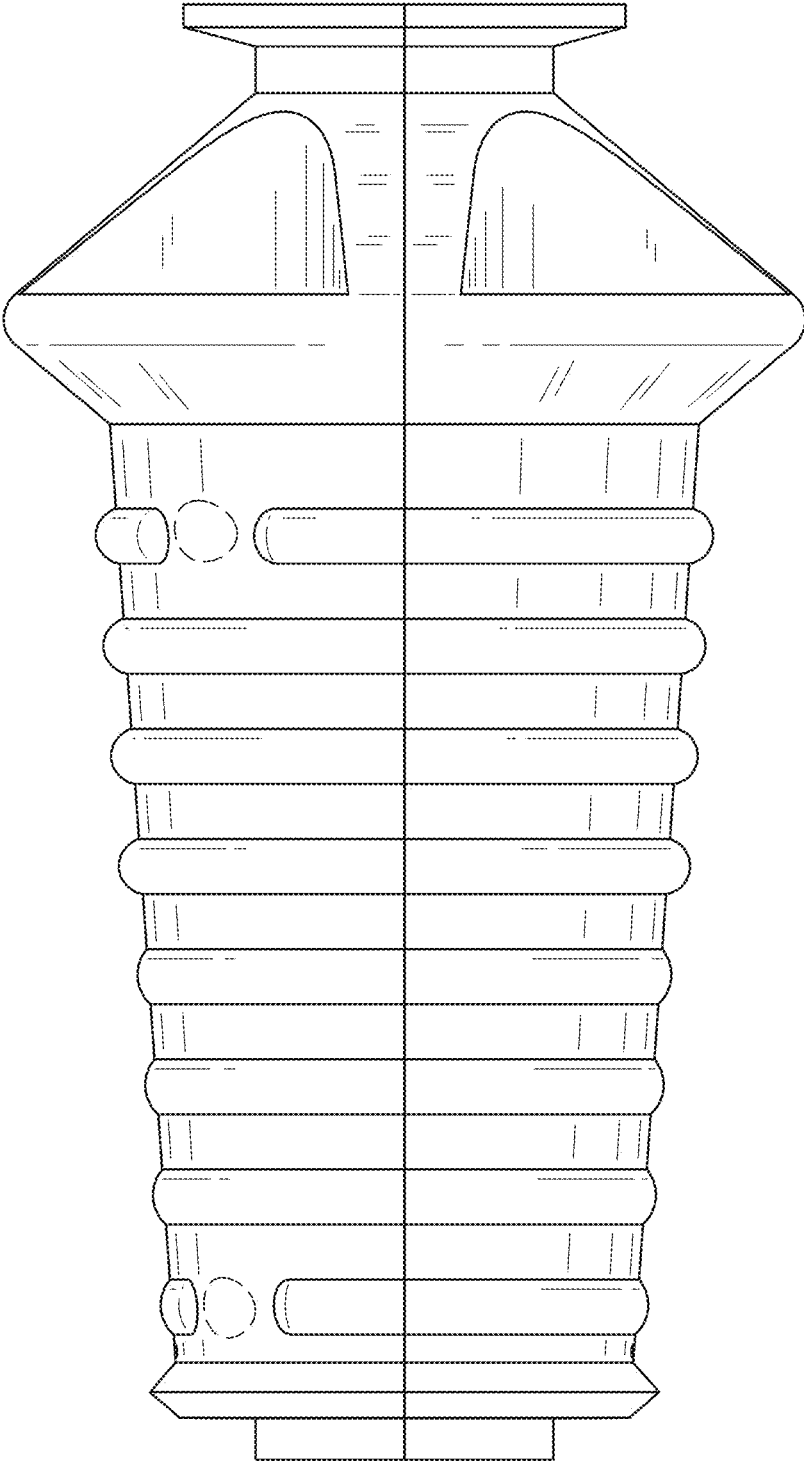


FIG. 4

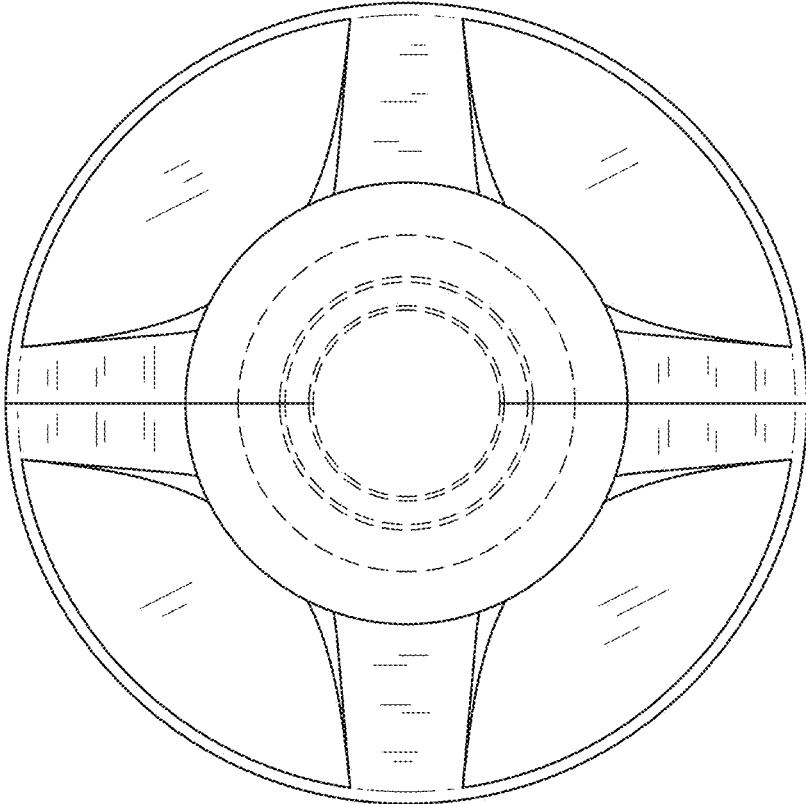


FIG. 5

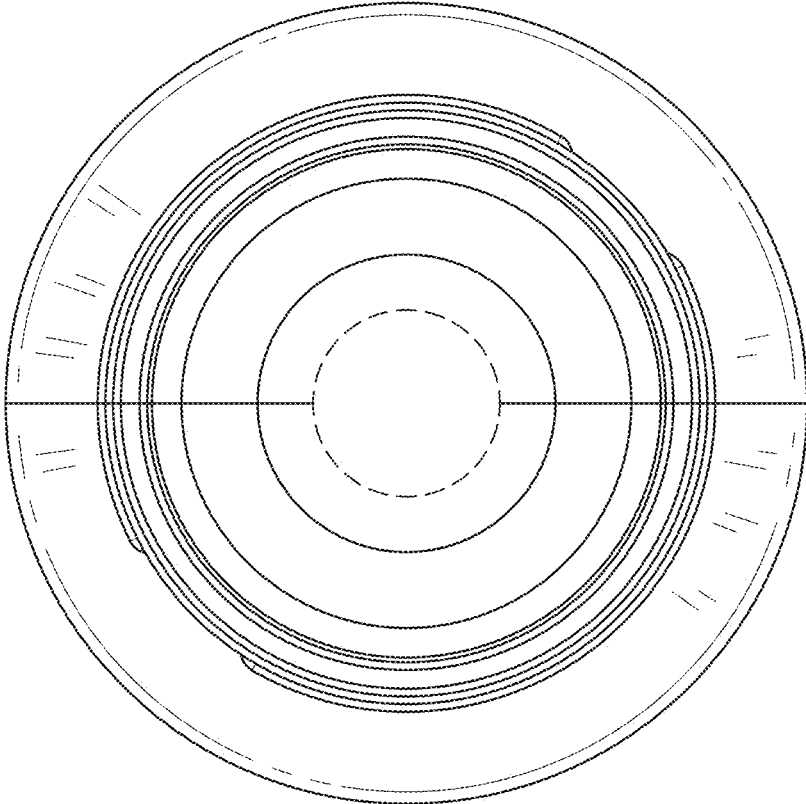


FIG. 6