



US00D914316S

(12) **United States Design Patent**  
**Pearson et al.**

(10) **Patent No.:** **US D914,316 S**

(45) **Date of Patent:** **\*\* Mar. 23, 2021**

- (54) **BIN**
- (71) Applicant: **JOSEPH JOSEPH, LTD.**, London (GB)
- (72) Inventors: **Luke Pearson**, London (GB); **Tom Lloyd**, London (GB)
- (73) Assignee: **JOSEPH JOSEPH, LTD.**, London (GB)
- (\*\*) Term: **15 Years**
- (21) Appl. No.: **29/686,805**
- (22) Filed: **Apr. 8, 2019**
- (30) **Foreign Application Priority Data**  
Oct. 8, 2018 (EM) ..... 005772506
- (51) **LOC (13) Cl.** ..... **23-99**
- (52) **U.S. Cl.**  
USPC ..... **D34/10; D34/1**
- (58) **Field of Classification Search**  
USPC ..... D34/1-12, 23, 27; D8/323, 394  
CPC .... B65F 1/163; B65F 1/06; B65F 1/08; B65F 1/16; B65F 1/1615; B65F 2001/1489; Y10S 220/908  
See application file for complete search history.
- (56) **References Cited**  
**U.S. PATENT DOCUMENTS**  
D310,283 S \* 8/1990 Faykosh ..... 280/79.4  
D327,761 S \* 7/1992 Stanfield ..... D34/24

- D354,383 S \* 1/1995 Smith ..... D34/23
- D583,120 S \* 12/2008 Arthurson ..... D34/10
- D602,670 S \* 10/2009 Laursen ..... D34/23
- D613,022 S \* 3/2010 Laursen ..... D34/23
- D632,796 S \* 2/2011 Ross ..... D24/185
- D632,797 S \* 2/2011 Ross ..... D24/185
- D764,735 S \* 8/2016 Avery ..... D34/12
- D867,709 S \* 11/2019 Coules ..... D34/12

\* cited by examiner

*Primary Examiner* — George A Bugg

*Assistant Examiner* — Tamara L Hahn

(74) *Attorney, Agent, or Firm* — Millen, White, Zelano & Branigan, PC; Ryan Pool

(57) **CLAIM**

The ornamental design for a bin, as shown and described.

**DESCRIPTION**

FIG. 1 is a front perspective view of the bin showing my new design.

FIG. 2 is a front view thereof.

FIG. 3 is a back view thereof.

FIG. 4 is a side view thereof.

FIG. 5 is another side view thereof.

FIG. 6 is a top view thereof.

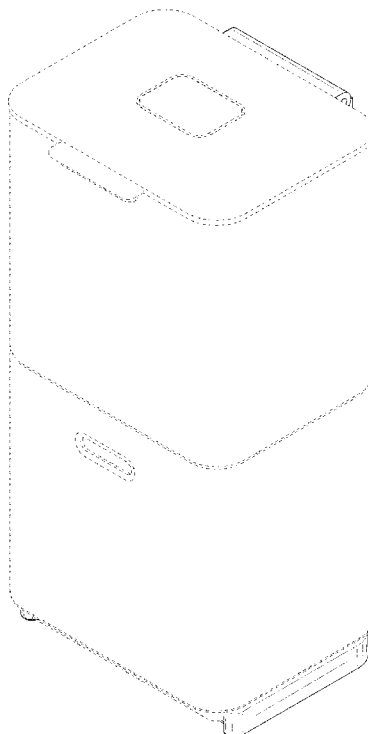
FIG. 7 is a bottom view thereof.

FIG. 8 is a front perspective exploded view thereof; and,

FIG. 9 is a bottom perspective exploded view thereof.

The broken lines in the drawings illustrate portions of the bin which form no part of the claimed design.

**1 Claim, 9 Drawing Sheets**



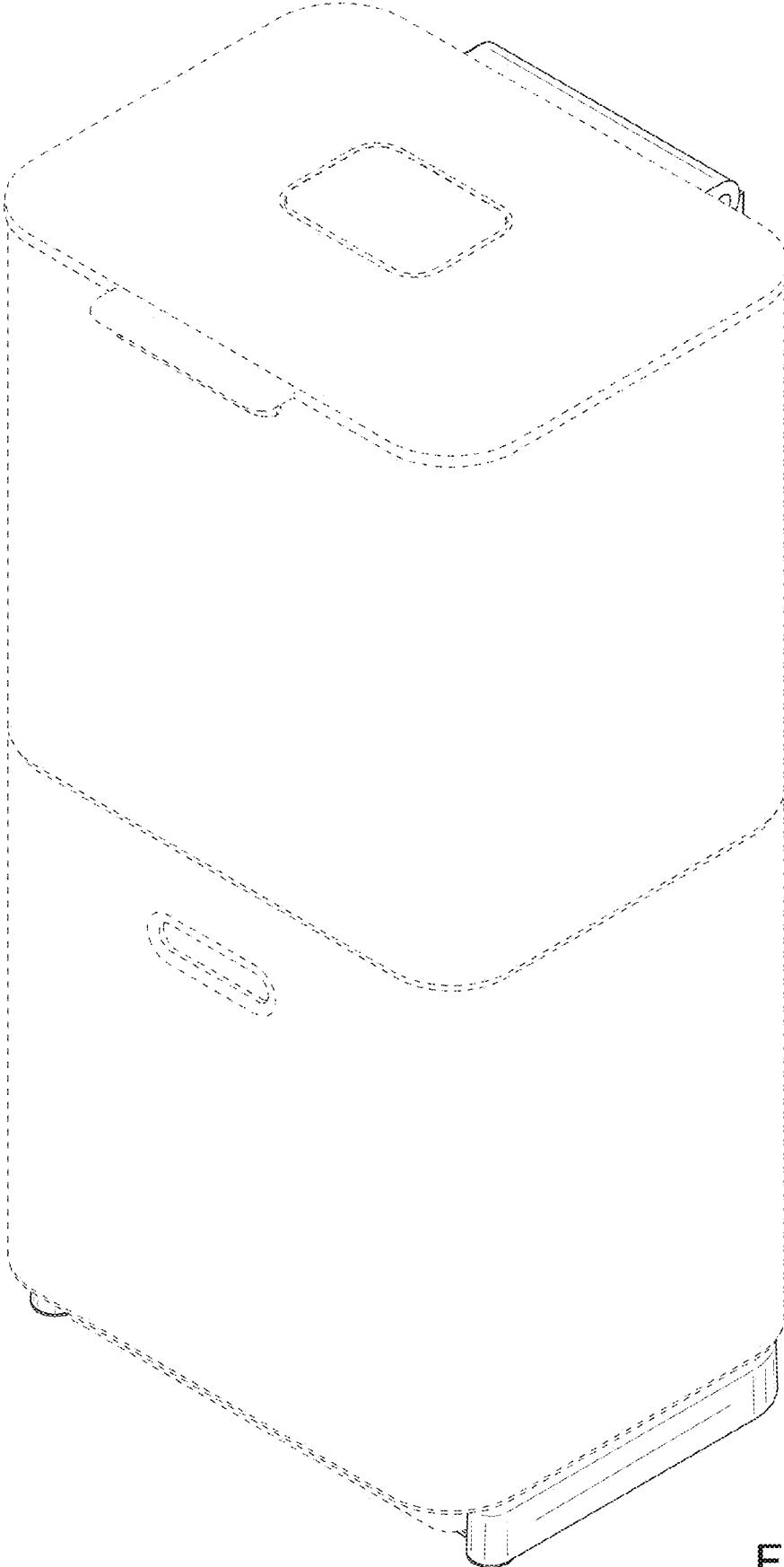


FIG. 1

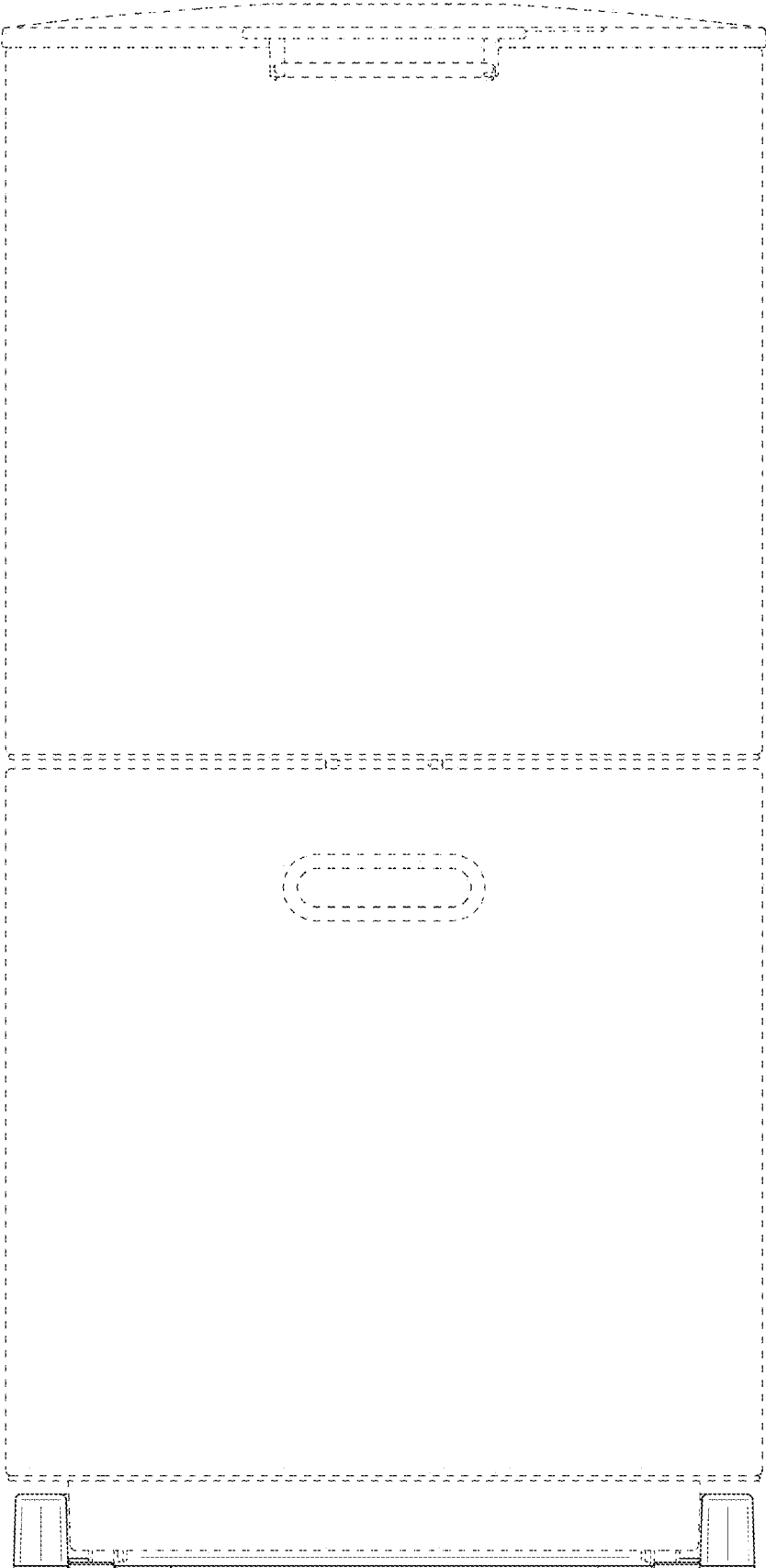


FIG. 2

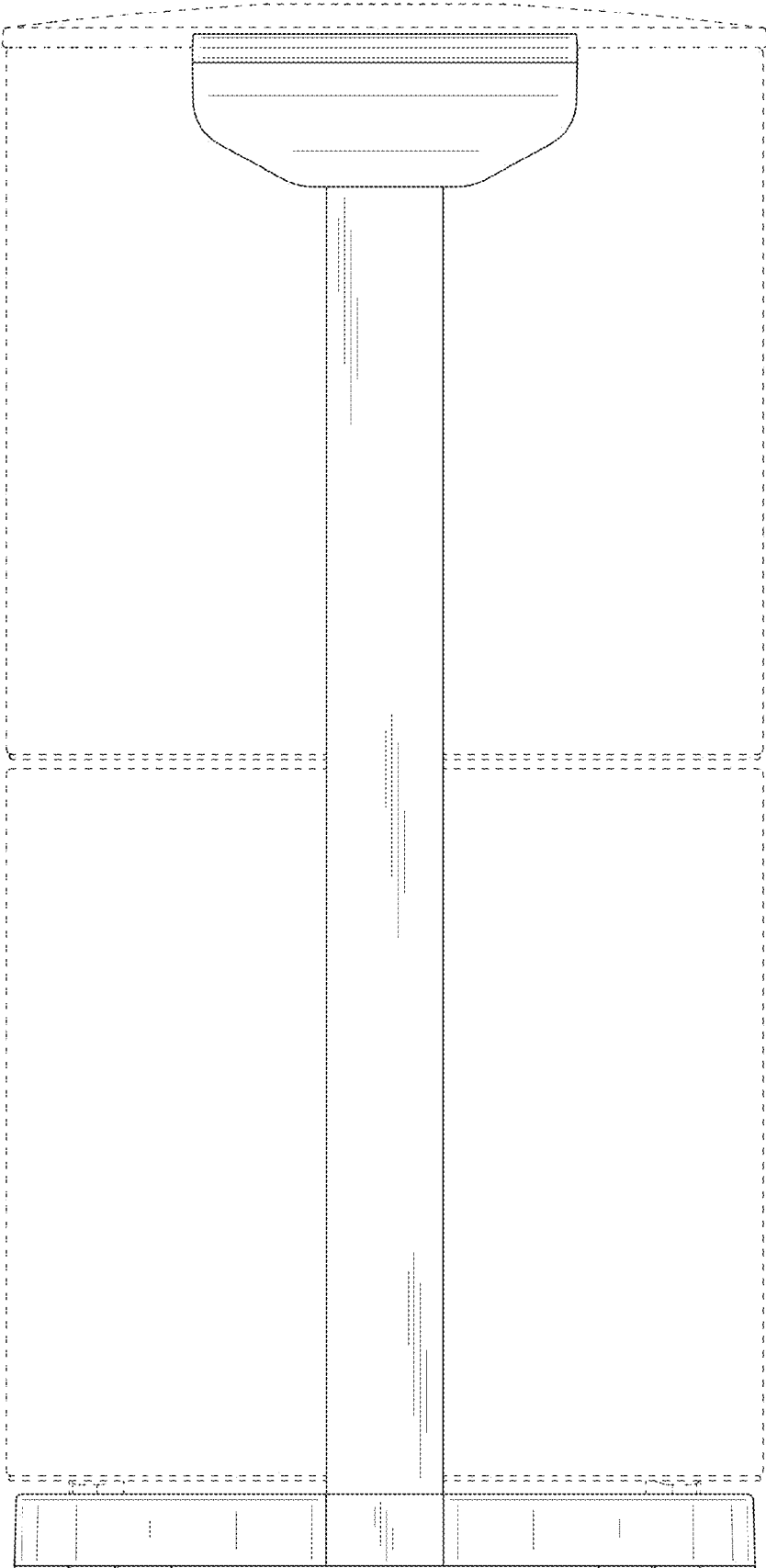


FIG. 3

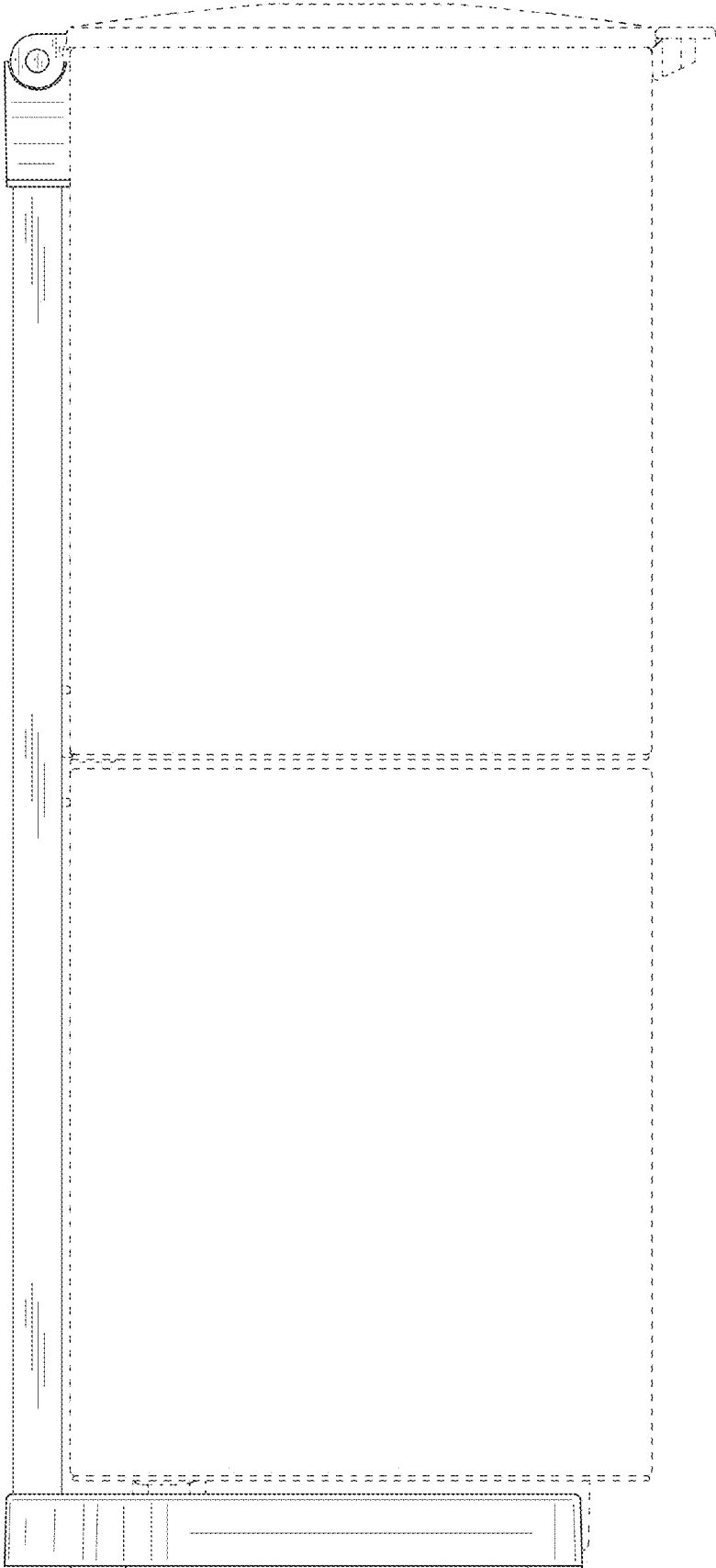


FIG. 4

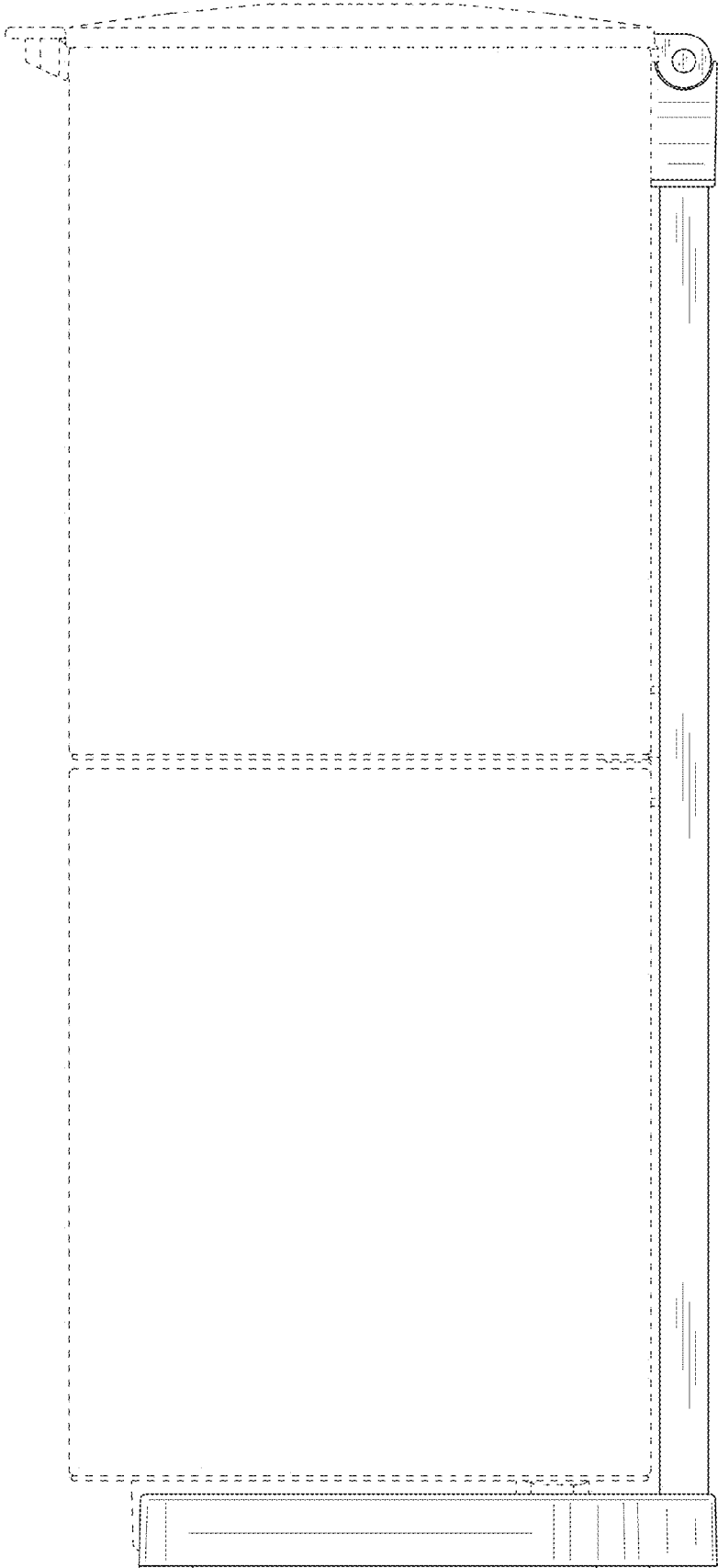


FIG. 5

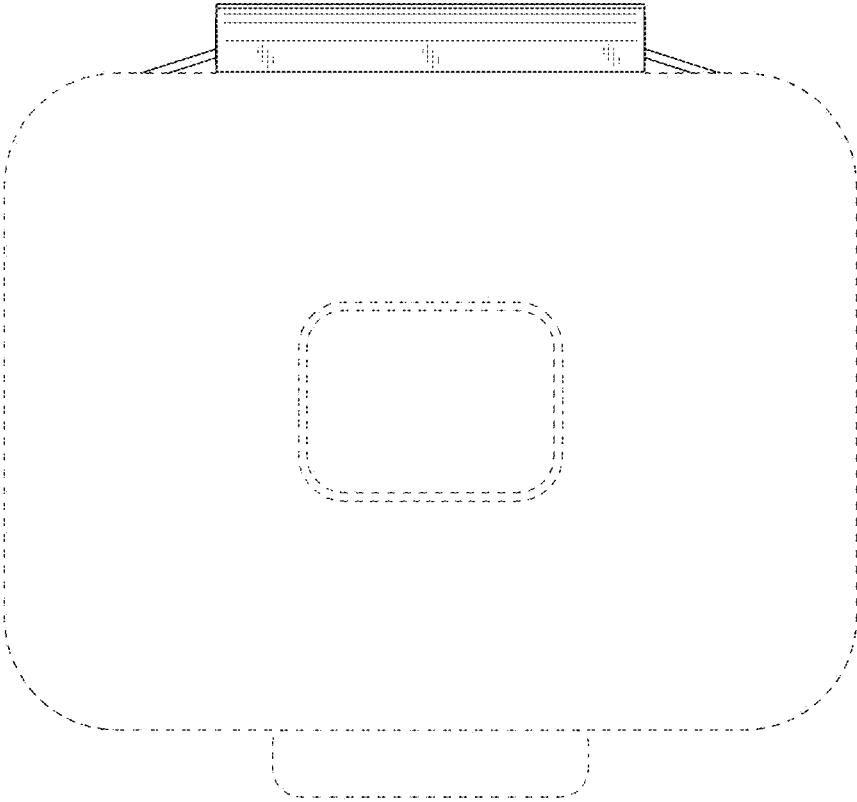


FIG. 6

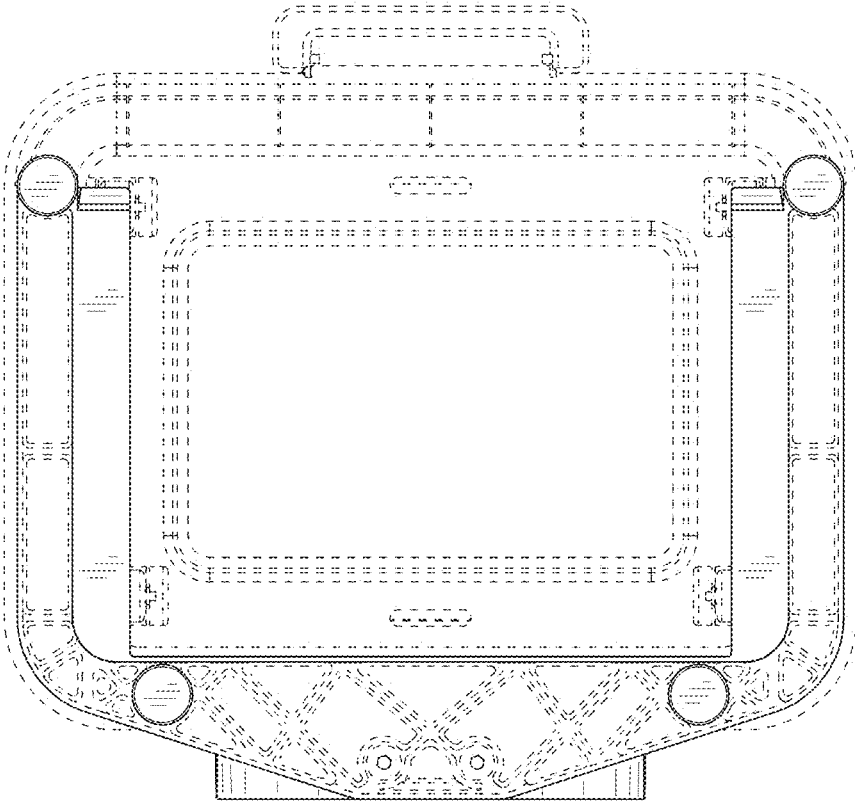


FIG. 7



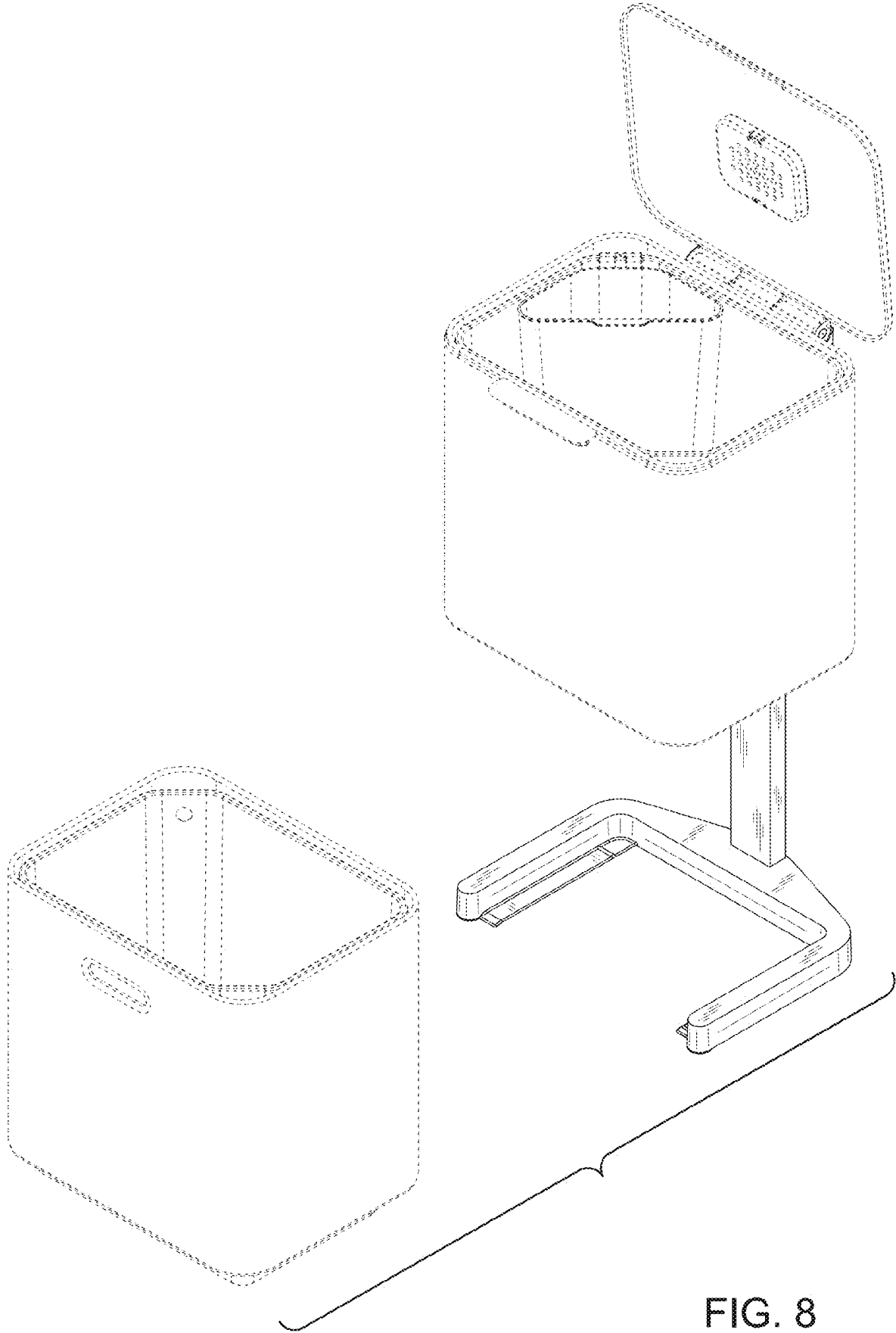


FIG. 8

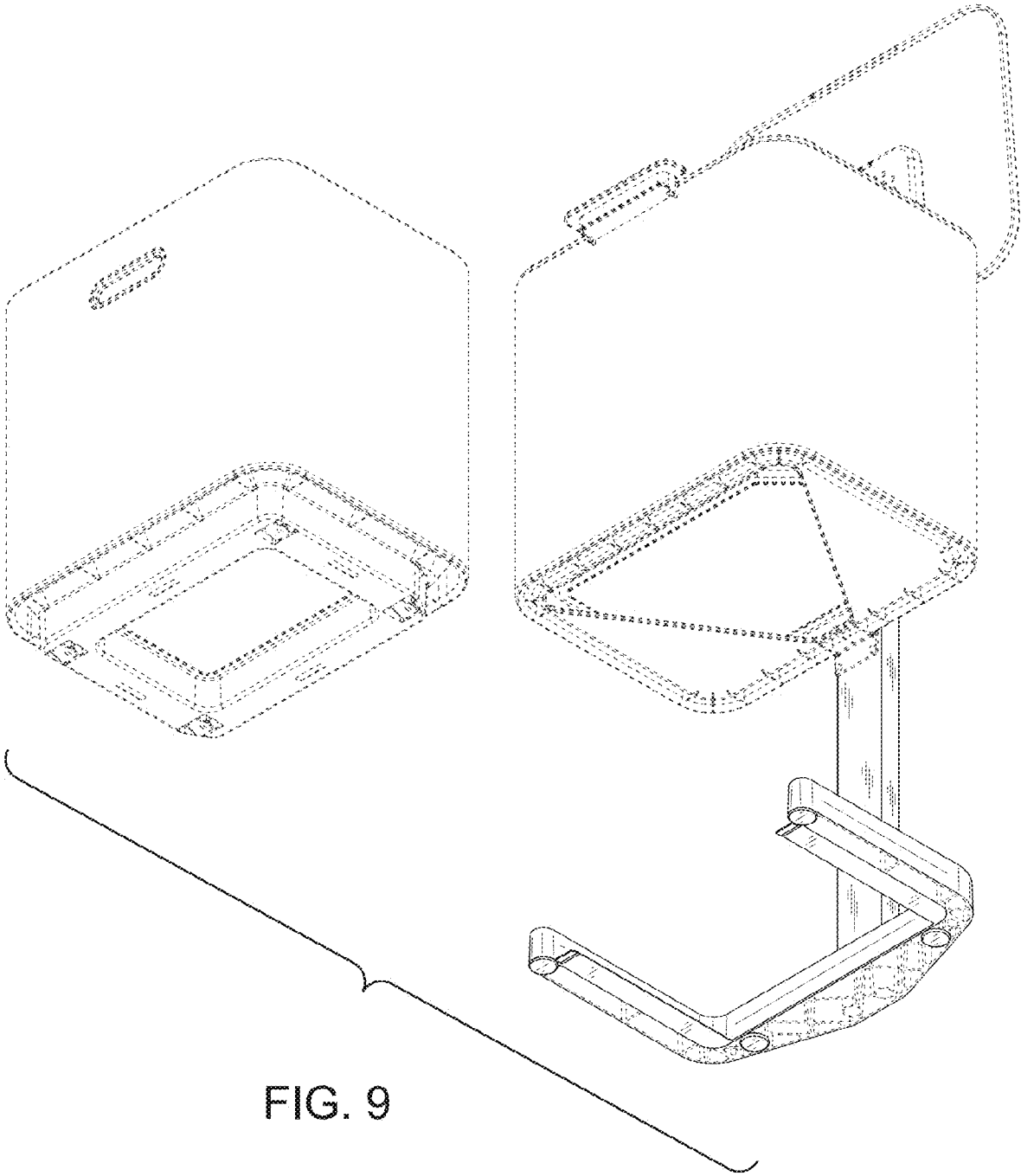


FIG. 9