



US00D446250S

(12) **United States Design Patent**  
**Quiroga et al.**

(10) **Patent No.:** **US D446,250 S**

(45) **Date of Patent:** **\*\* Aug. 7, 2001**

(54) **COMBINED SOCCER AND HOCKEY TABLE TOP GAME**

5,092,595	3/1992	Daravina .	
5,242,164	9/1993	Nicoll .	
5,312,109	* 5/1994	Cagle .....	D21/318 X
5,417,421	* 5/1995	Bagley .....	273/108.5

(76) Inventors: **John C Quiroga; Kim I Quiroga**, both of 326 Mac Arthur Blvd., San Leandro, CA (US) 94577

\* cited by examiner

(\*\*) Term: **14 Years**

*Primary Examiner*—Prabhakar Deshmukh

(21) Appl. No.: **29/128,490**

(57) **CLAIM**

(22) Filed: **Aug. 25, 2000**

The ornamental design for a combined soccer and hockey table top game, as shown and described.

(51) **LOC (7) Cl.** ..... **21-01**

**DESCRIPTION**

(52) **U.S. Cl.** ..... **D21/318**

(58) **Field of Search** ..... D21/318, 313, D21/314, 328; 273/108.1, 108.5, 108.52, 317.1, 317, 118 R, 459, 461, 298, 309

FIG. 1 is a bottom, front, right side perspective view of the combined soccer and hockey table top game of the present invention;

(56) **References Cited**

**U.S. PATENT DOCUMENTS**

D. 245,718	* 9/1977	Maloney, II .....	D21/318
D. 294,720	* 3/1988	MacDowell .....	D21/318
D. 347,026	5/1994	Young .	
D. 408,459	* 4/1999	Schwarz .....	D21/318
1,905,303	* 4/1933	Potter .....	273/247
4,067,575	1/1978	Ayer .	
4,274,635	6/1981	Pakogian .	
4,382,600	5/1983	Vieira .	
5,074,556	* 12/1991	Loepky et al. ....	273/108.5

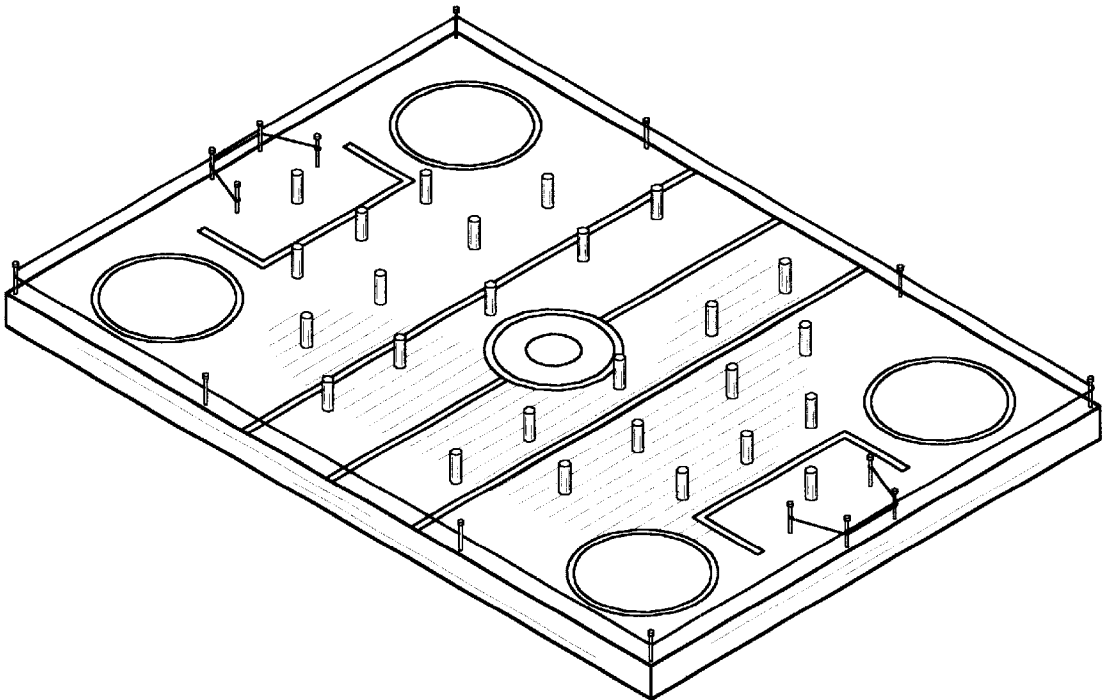
FIG. 2 is a front elevational view of the combined soccer and hockey table top game of FIG. 1;

FIG. 3 is a rear elevational view of the combined soccer and hockey table top game of FIG. 1;

FIG. 4 is a left side elevational view of the combined soccer and hockey table top game of FIG. 1, the right view being a mirror image thereof; and,

FIG. 5 is a bottom plan view of the combined soccer and hockey table top game of FIG. 1, the top view being a mirror image thereof.

**1 Claim, 2 Drawing Sheets**



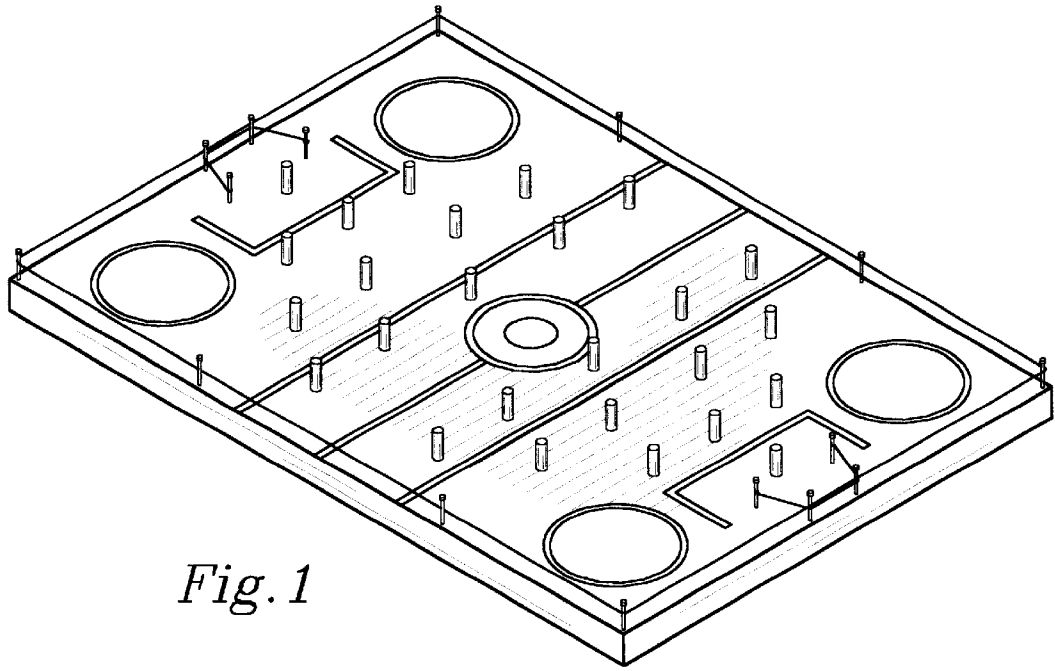


Fig. 1

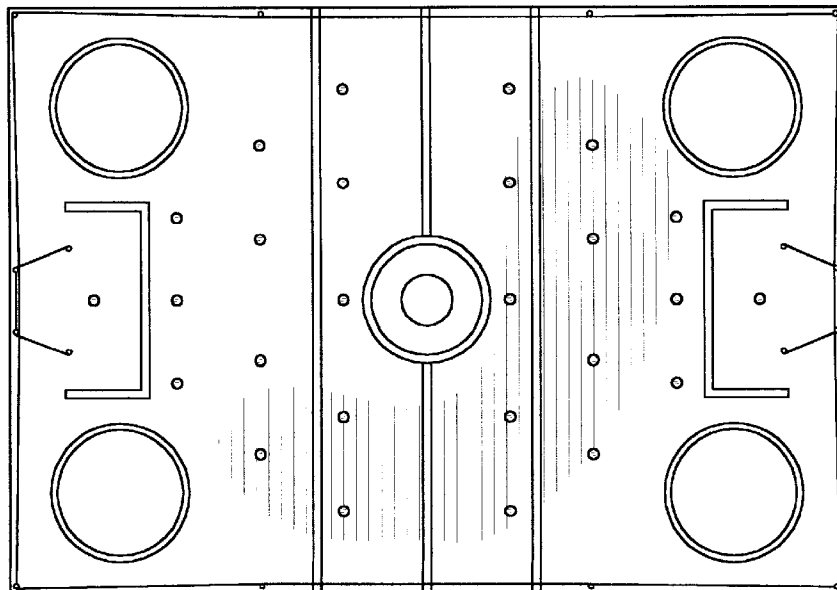
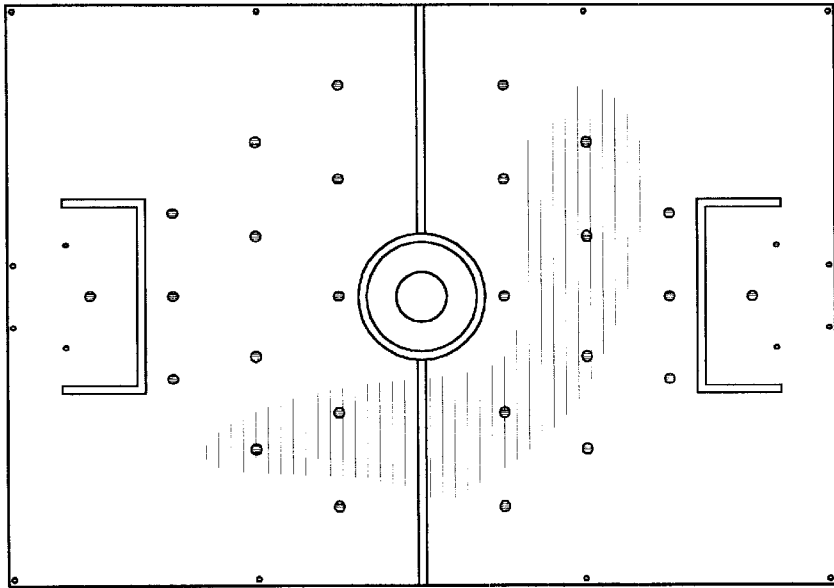
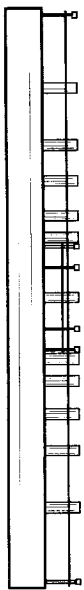


Fig. 2



*Fig. 3*



*Fig. 4*



*Fig. 5*